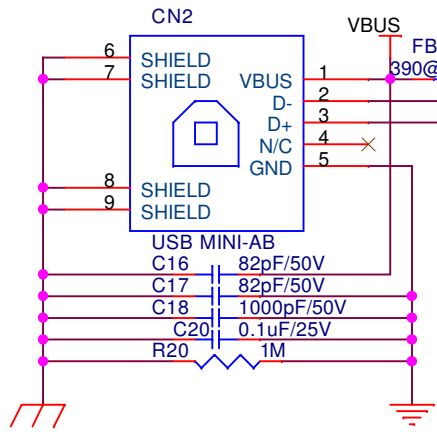
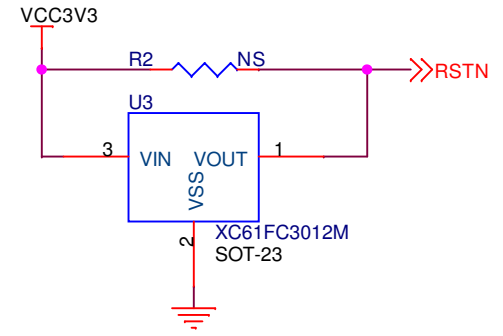
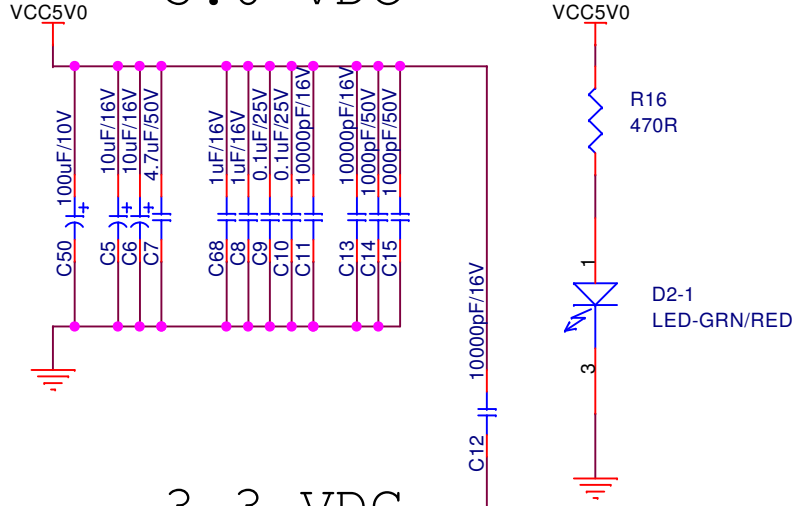


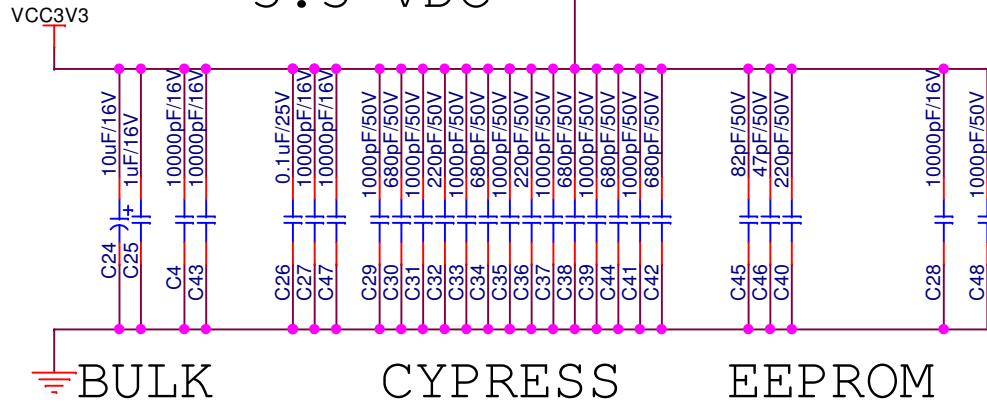
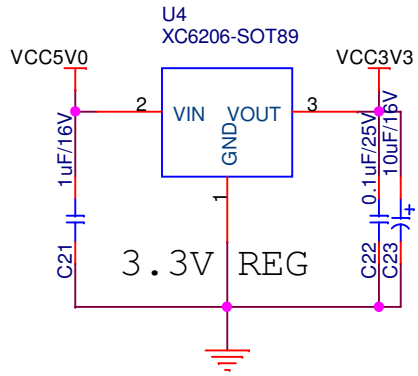
Title		
USB2 to ATA Bridge Board - ATA & USB		
Size	Document Number	Rev
A	HE325U	1.0
Date:	Thursday, May 19, 2005	Sheet 1 of 2



5.0 VDC



3.3 VDC



Title		
FW800/USB2 to ATA6 Bridge Board - Power		
Size	Document Number	Rev
A	HE325U	1.0
Date:	Thursday, May 19, 2005	Sheet 2 of 2