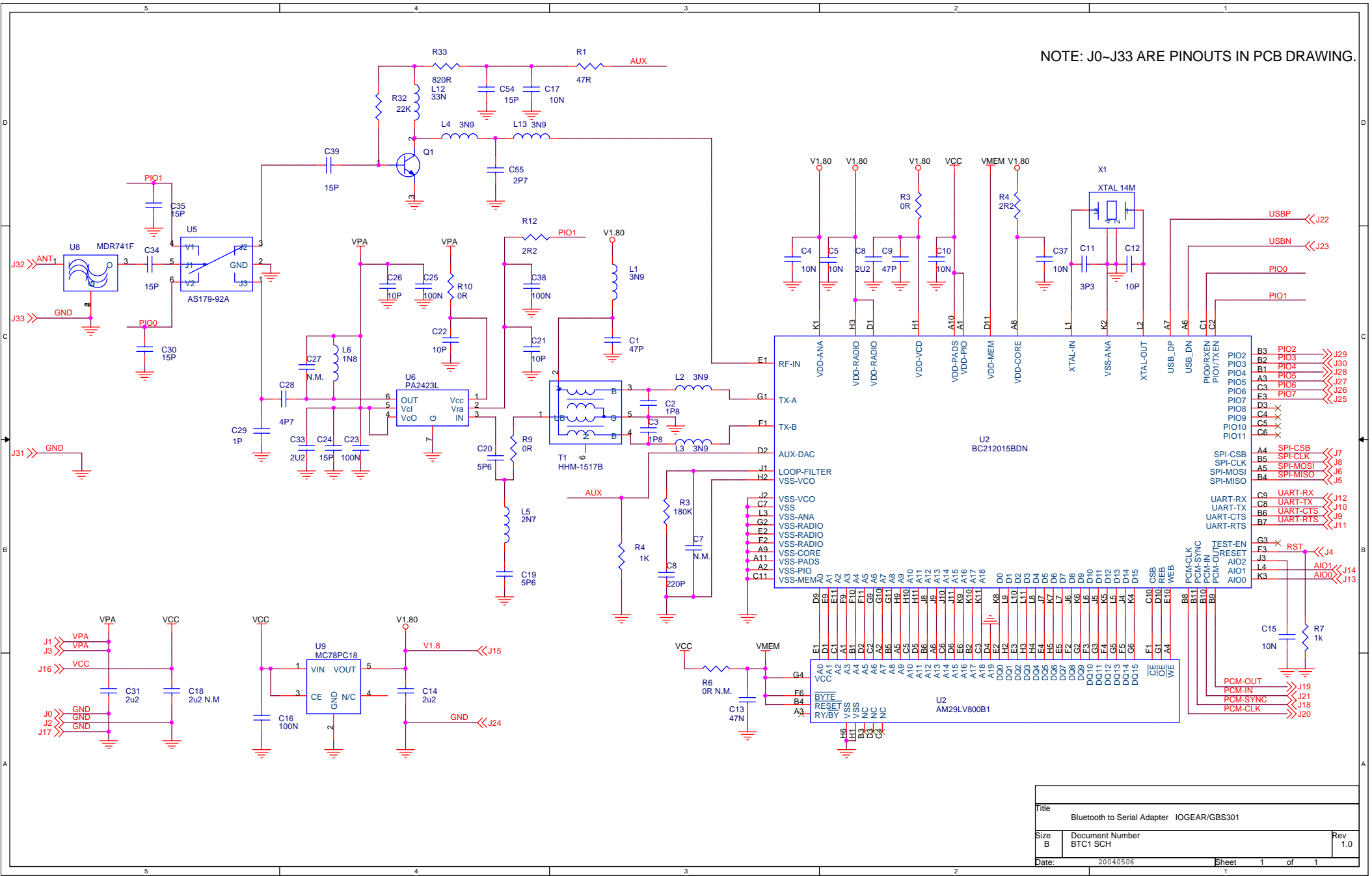
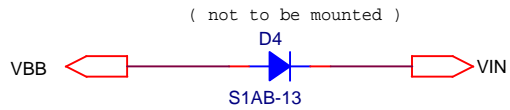
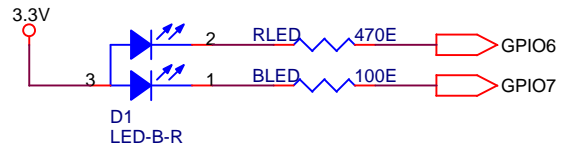


NOTE: J0~J33 ARE PINOUTS IN PCB DRAWING.

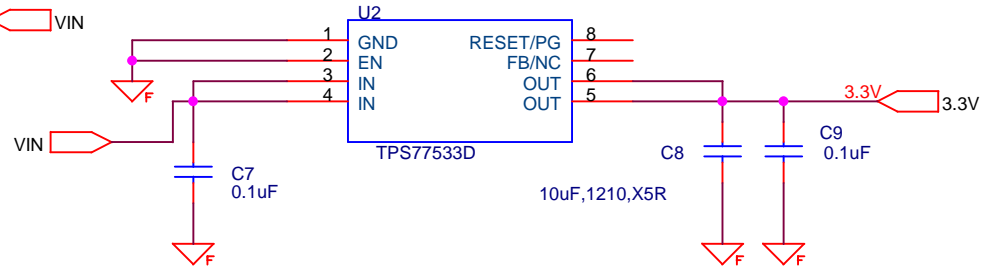
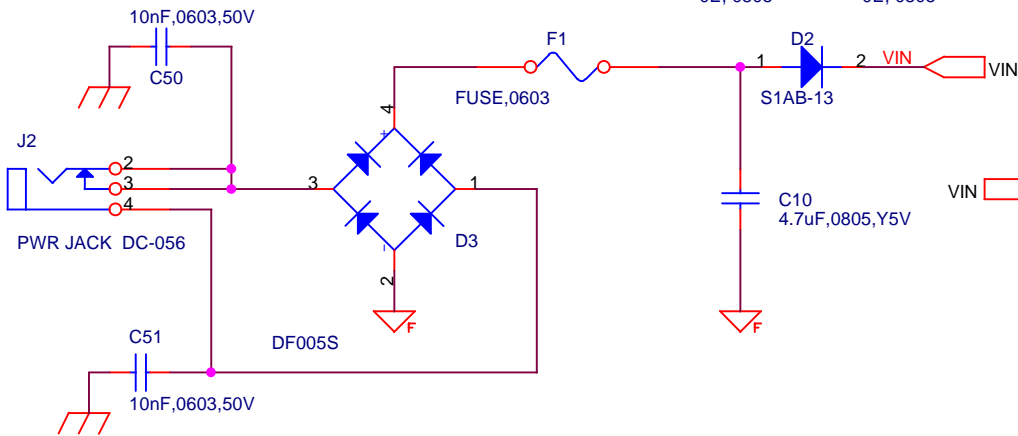
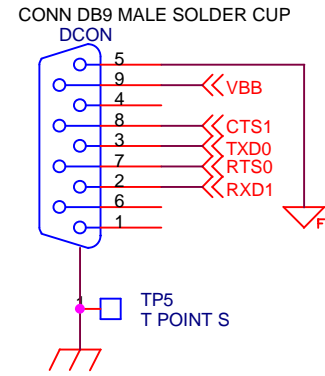
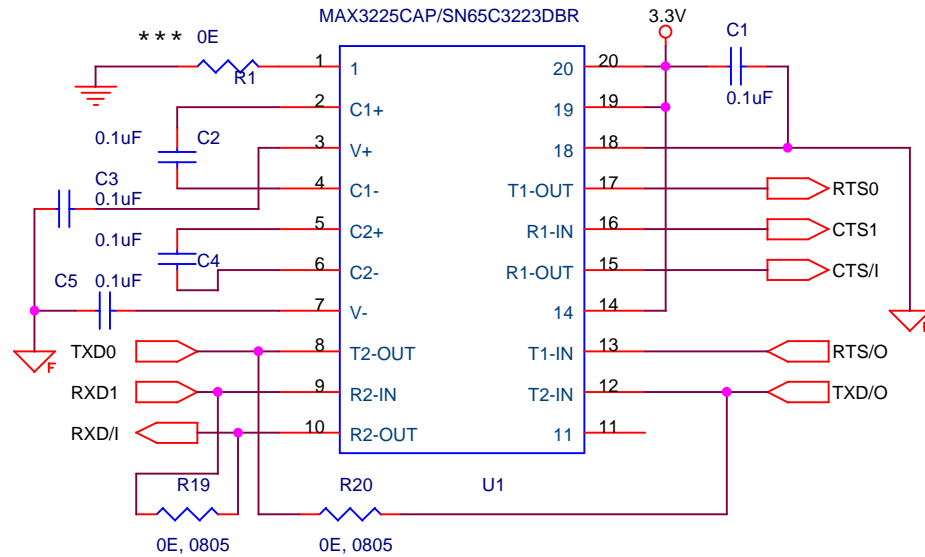


Title		
Bluetooth to Serial Adapter IOGEAR/GBS301		
Size	Document Number	Rev
B	BTC1 SCH	1.0
Date:	20040506	Sheet 1 of 1

Note: all resistors, capacitors etc passive components are 0402 size unless otherwise mentioned



*** NOTE: 0E Resistor required only for SN65C3223DBR



Title		
Bluetooth to Serial Adapter IOGEAR/GBS301		
Size A	Document Number S847	Rev 1.2
Date: Monday, May 23, 2005	Sheet 1	of 2

