

Live life in the passing lane.



*Arrows indicate direction of the threat.*

**BELTRONICS**<sup>TM</sup>

**GT-360**

360° Protection with Threat Direction



Dual Antenna Front  
& Rear Protection



GPS Intelligence Rejects  
False Alerts



ESCORT Live  
Crowd Sourced Alerts



Lightning Fast  
Response

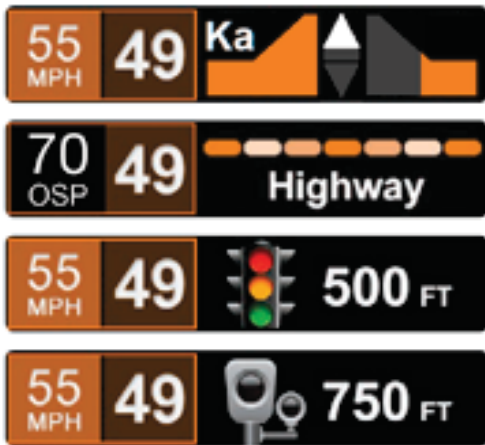
Quick Reference

## Congratulations



Take the freedom of the road back with the Beltronics GT-360, equipped with 360° high definition protection, threat direction arrows, and intelligent GPS technology to eliminate false alerts.

Go to [Beltronics.com](http://Beltronics.com) for full featured Owner's Manual.



*GT-360 features a new multi-color OLED display. Brilliant graphics illuminate intuitive icons that identify the type of threat at a glance.*

## GT-360 Features

- GT-360's HD Performance accurately identifies real threats sooner than other detectors, and with threat direction arrows, provides you with location information about these threats.
- Updatable IVT Filter™ automatically reduces false alerts from moving In-Vehicle Technology sources such as collision avoidance systems and adaptive cruise control.
- GPS location-based intelligence automatically locks out false alerts and allows you to mark locations for future reference.
- Access to the DEFENDER Database, which warns you of verified speed traps, speed cameras, and red light cameras.
- Built in Bluetooth® technology gives you access to ESCORT's award winning app, ESCORT Live. The exclusive real-time ticket-protection network which warns you of upcoming alerts received and reported by other users in the area, and gives you access to local speed limit data for over-speed alerts.



H I G H D E F I N I T I O N 3 6 0 ° P R O T E C T I O N


## Registration and ESCORT Live

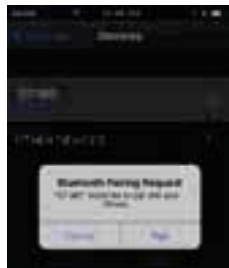
Before downloading ESCORT Live, you must first register your device. Be sure to have your device nearby, as you will need its serial number.

- 1 Visit [www.Beltronics.com](http://www.Beltronics.com) and click Product Registration.
- 2 Click the "Registration for all devices" link.
- 3 Follow the onscreen instructions to register your device.

Be sure to write down the username and password you create, as you will need this information to access and download ESCORT Live. (You will also receive an e-mail with this information, once you have registered your device.)

### For iPhone:

- 1 Ensure GT-360 power is ON
- 2 Open the App Store on your iPhone and search for **ESCORT Live Radar**.
- 3 Follow the onscreen instructions to download **ESCORT Live Radar** and then open the app.
- 4 When prompted, enter the username and password you created when registering your product at [Beltronics.com](http://Beltronics.com).
- 5 Press the Settings button  then select **Devices**.
- 6 You should see **GT-360** listed with Not Connected underneath. Press the **GT-360** device entry and when prompted select Pair.
- 7 The Bluetooth icon on the GT-360 display will appear to confirm that it is paired to your iPhone.



### For Android based smartphones:

- 1 Ensure GT-360 power is ON.
- 2 On your smartphone go to Bluetooth® Settings and make sure that Bluetooth® is ON.
- 3 Press Scan for devices and wait for the device list to populate, **GT-360** should appear under Available devices.
- 4 Press the **GT-360** device entry.
- 5 The Bluetooth icon on the GT-360 display will appear to confirm that it is paired to your smartphone.
- 6 Open Google Play on your smartphone and search for **Escort Live Radar**.
- 7 Follow the onscreen instructions to download **Escort Live Radar** and then open the app.
- 8 When prompted, enter the username and password you created when registering your product at [Beltronics.com](http://Beltronics.com).
- 7 Open the app, walk through the tutorial, and you're ready to hit the road!



# Installation

Your new detector comes with the revolutionary **EZ Mag Mount™**. Simply tilt the display end of the detector up and slide it onto the mounting bracket. The magnetic mount holds the detector in place. To remove the detector from the mount, simply lift the display end of the detector and the detector releases from the mount.

## Mounting Tips:

- Center of windshield between driver and passenger.
- Ensure clear view of road ahead and sky above.
- Avoid windshield wipers and heavily tinted areas.

## To mount the detector in your vehicle:

- 1** Remove paper backing from EZ Mag Mount™ StickyCup.
- 2** Ensure the locking clamp is open.
- 3** Firmly press EZ Mag Mount™ StickyCup onto windshield and close the locking clamp to secure.

**4** To adjust view, loosen thumb wheel and adjust angle of mounting bracket. Tighten thumb wheel to secure.

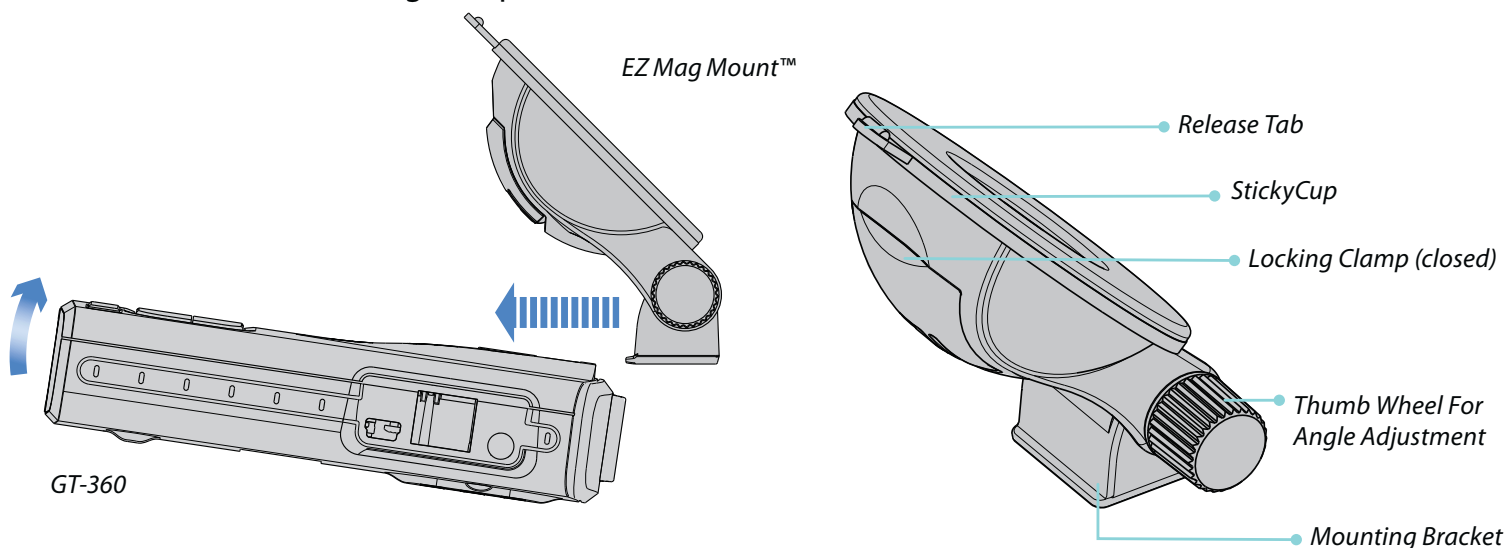
**5** Tilt the display end of the detector slightly upward and engage with the flanged edge of the mounting bracket. The EZ Mag Mount™ magnet holds the detector in place.

**6** To remove the detector, simply lift the display end of the detector upward. The detector will release from the mount.

**7** To remove mount from windshield, release locking clamp and pull tab on top of StickyCup.

## EZ Mag Mount™ Care Instructions:


Should the EZ Mag Mount™ StickyCup accumulate debris and lose its stickiness, simply rinse under warm water, gently wipe off debris and allow to air dry.



# Controls & Features

## Using GT-360

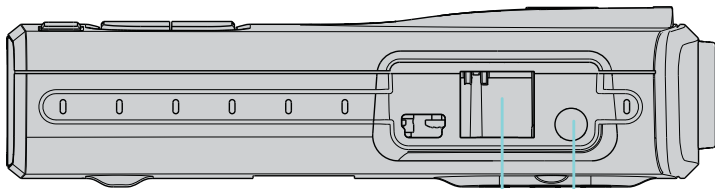
**1** Plug small end of SmartCord USB into modular jack on GT-360 and large end of SmartCord USB into your vehicle's lighter/accessory socket

**2** GT-360 should power on automatically. If not, press the device's power button. 

### Power requirement

11.0-16.0 Volts DC negative ground  
400mA standby, 700 mA maximum

*NOTE: You can easily access and customize all of your Settings and Preferences by pressing and holding the BRT and SEN buttons. See Settings and Preferences for details.*



### Modular Jack

Connects to SmartCord for powering your device

### Earphone Jack

Connects to optional 3.5 mm stereo earphone.

## Using SmartCord USB

### • Mute Button:

- Press to mute the audio for a specific alert.
- Press three times to lock out a false alert.
- Press twice while receiving a locked-out alert to unlock.
- When connected to ESCORT Live press and hold mute button on unit or cord to manually report to other users a verified X or K-band alert, or a police officer observing traffic.

- Alert Light: Blinks red when receiving a radar or laser alert.
- Power Light: Lights green when device is powered on.
- USB Charging Port: Charge smartphones, tablets and other USB-charged Devices.



### Modular Connector

Plugs into detector jack

### SmartCord USB Adapter

Connects to lighter/accessory socket



**Mount Area**

The EZ Mag Mount™ attaches to device here

**MRK**

To mark a location for future alerts, press MRK twice, then VOL + or - to select the type of marker, then MRK again to confirm. Press twice while receiving marker alert to unmark

**Volume**

Press and hold + or - to adjust volume

**BRT**

Press to adjust display brightness (Min, Med, Max, Auto, Dark)

**Power**

Press to turn GT-360 on or off

**SEN**

Press to adjust detector sensitivity (Auto, AutoNoX, AutoLoK, and Highway)

**MUTE**

Press to mute an alert; press three times to lock out a false alert; press twice while receiving a locked-out alert to unlock



**Display**  
Alert area

**Display**  
Showing current speed

**Display (OSP)**

OverSpeed alert setting that can be adjusted in Preferences. **Bluetooth** icon will appear on display screen blue when paired to phone and Speed limit data will show here when ESCORT Live App is open.



Continued →

# Programming

Press and hold the BRT and SEN buttons to access Programming. To exit Programming, simply wait a few seconds without pressing a button. The unit will display **Completed** to confirm your selections.

<b>Press BRT to go from one category to the next</b>		<b>Press VOLUME + or – to change your setting within a category</b>
User Mode	<b>Advanced*</b> <b>Novice</b>	Access and customize all Settings and Preferences Access and customize units and display color, (all other Settings are set to factory defaults) <i>NOTE: Switch back to Advance mode to view all Preferences</i>
Pilot	<b>Scan Bar*</b> <b>Full Word</b>	Scanning Bar with Full Word Full Word: AutoScan, Auto NoX, or Highway
Display Color	<b>Copper*/Blue/Green/Red</b>	Set color to match your vehicle's dash display
Speed Display	<b>On*</b> <b>Off</b>	Displays current speed Displays battery voltage
Cruise Alert	<b>Off / 20-160 mph</b> <b>20 mph*</b>	Offers double beep alert tones below specified speed
Over Speed	<b>Off / 20-160 mph</b> <b>70 mph*</b>	Reminds you when you exceed a specified speed
Meter Mode	<b>Standard*</b> <b>Tech</b>  <b>Basic</b>	Single band with front and rear signal strength bar graphs Single band with numeric frequency and front and rear signal strength bar graphs Simple messages replace bands: <b>Caution</b> (if traveling below cruise alert limit) <b>Slow Down</b> (if traveling above cruise alert limit)
Tones	<b>Standard*</b> <b>Mild</b>	Standard Beltronics alert tones Mild doorbell chime alert tones
AutoMute	<b>Low/Med*/High/Off</b>	Automatically reduces audio to preferred volume during alert
AutoLock	<b>On* / Off</b>	Automatically stores and locks out false alarms
Units	<b>English*/Metric</b>	Units for distance and speed
Language	<b>English*/Espanol</b>	Language for voice and text
Voice	<b>On* / Off</b>	Voice announcements
GPS Filter	<b>On* / Off</b>	Enables GPS-powered features

AutoPower	<b>Off</b>  <b>1 Hour</b> <b>2 Hours</b> <b>4 Hours*</b> <b>8 Hours</b>	Power turns on or off depending on your vehicle's ignition type (constant power or switched) Powers off automatically after 1 hour Powers off automatically after 2 hours Powers off automatically after 4 hours Powers off automatically after 8 hours
-----------	--	---

*NOTE: AutoPower only works with constant power ignition*

*NOTE: If AutoPower is on, to save screen life the display screen goes blank after 30 minutes without moving.*

Band Enables	<b>Default*</b> <b>Modified</b>	Default Settings Band Enables have been modified from their default settings
--------------	------------------------------------	---

**Press SEN to go from one band category to the next**

**Press VOLUME + or - to change your setting within a category**

X Band	<b>On* / Off</b>	
K Band	<b>On* / Off</b>	Freq: 24.050-24.250 GHz <i>NOTE: When K Band is off, you can select separate segments of the band to turn on or off.</i>
KN1	<b>On* / Off</b>	Freq: 24.050 - 24.110 GHz
KN2	<b>On* / Off</b>	Freq: 24.110 - 24.175 GHz
KN3	<b>On* / Off</b>	Freq: 24.175 - 24.250 GHz
KN4	<b>On / Off*</b>	Freq: 23.950 - 24.050 GHz
Ka Band	<b>On* / Off</b>	Freq: 33.400-36.000 GHz <i>NOTE: When Ka Band is off, you can select separate segments of the band to turn on or off.</i>
KaN1	<b>On / Off*</b>	Freq: 33.400 - 33.700 GHz
KaN2	<b>On / Off*</b>	Freq: 33.700 - 33.900 GHz
KaN3	<b>On* / Off</b>	Freq: 33.900 - 34.200 GHz
KaN4	<b>On* / Off</b>	Freq: 34.200 - 34.600 GHz
KaN5	<b>On* / Off</b>	Freq: 34.600 - 34.800 GHz
KaN6	<b>On / Off*</b>	Freq: 34.800 - 35.160 GHz
KaN7	<b>On / Off*</b>	Freq: 35.160 - 35.400 GHz
KaN8	<b>On* / Off</b>	Freq: 35.400 - 35.600 GHz
KaN9	<b>On / Off*</b>	Freq: 35.600 - 35.840 GHz
KaN10	<b>On / Off*</b>	Freq: 35.840 - 36.000 GHz
Ka Band	<b>On* / Off</b>	
Ka-POP	<b>On / Off*</b>	
Laser	<b>On* / Off</b>	
TSR	<b>On* / Off</b>	Automatically rejects traffic flow sensors-monitoring false alarms

Marker Enable	<b>On* / Off</b> <b>Modified</b>	Default Settings Marker Enables have been modified from their default settings
---------------	-------------------------------------	---



**Press SEN to go from one marker category to the next**

Other	<b>On* / Off</b>
Redlight	<b>On* / Off</b>
Red & Speed	<b>On* / Off</b>
Speed Cam	<b>On* / Off</b>
Air Patrol	<b>On / Off*</b>
Speed Trap	<b>On* / Off</b>
Air Patrol	<b>On / Off*</b>

**Press VOLUME + or - to change your setting within a category**

- Other location
- Red light camera
- Red light & speed camera
- Speed camera
- Known aircraft patrolled areas
- NOTE: User cannot mark an air patrol location*
- Speed trap
- Known aircraft patrolled areas
- NOTE: User cannot mark an Air Patrol location*

Clear Locations	<b>Marked Lockouts Defender Format</b>
-----------------	--

- Clear all user Marked locations. Press SEN button to confirm
- Clear all lockouts. Press SEN button to confirm
- Clear all DEFENDER data. Press SEN button to confirm
- Clear DEFENDER database, all markers, and all lockouts. Press SEN button to confirm

**\*Default Setting**

## Contact Us

866.468.0322 • [Beltronics.com](http://Beltronics.com)

Beltronics USA, Inc.  
5442 West Chester Road, West Chester OH 45069

### Beltronics One Year Limited Warranty

**What this warranty covers:** Beltronics USA, Inc. ("Beltronics") warrants your Product against all defects in materials and workmanship.

**For how long:** One (1) year from the date of original purchase from an authorized Beltronics dealer.

**What we will do:** If a breach of warranty occurs, Beltronics, at its discretion, will either repair or replace your Product free of charge.

**What we will not do:** Beltronics will not pay shipping charges that you incur for sending your Product to us.

**What you must do to maintain this warranty:** Show original proof of purchase or receipt from an authorized Beltronics dealer.

**Warranty exclusions:** This warranty does not apply to your product under any of the following conditions: 1. The serial number has been removed or modified. 2. Your product has been subjected to misuse or damage (including water damage, physical abuse, and/or improper installation). 3. Your product has been modified in any way. 4. Your receipt or proof-of-purchase is from a non-authorized dealer or internet auction site, including E-bay, U-bid, or other non-authorized resellers. 5. You are not the original purchaser of the Product from an authorized dealer or did not receive it as a gift from the original purchaser of the Product from an authorized dealer.

**To obtain service:** 1. Contact Beltronics (1-800-341-2288) to obtain a Return Authorization Number. 2. Properly pack your Product and include: your name, complete return address, written description of the problem with your Product, daytime telephone number, and a copy of the original proof of purchase or receipt. 3. Label the outside of the package clearly with your Return Authorization Number. Ship the Product pre-paid (insured, for your protection) to: Beltronics USA, Inc., 5442 West Chester Rd., West Chester, OH 45069.

**LIMITATION OF WARRANTY:** The obligations set forth above are Beltronics' sole obligations and your exclusive remedy. Beltronics makes no other express warranty. Any implied warranty of merchantability or fitness for a particular purpose that may be applicable to the Product is limited in duration to the duration of this warranty. Some States do not allow limitations on how long an implied warranty lasts, so the above limitation may not apply to you. BELTRONICS SHALL NOT BE LIABLE FOR CONSEQUENTIAL, SPECIAL OR INCIDENTAL DAMAGES INCLUDING, WITHOUT LIMITATION, DAMAGES ARISING OUT OF THE USE, MISUSE OR MOUNTING OF THE PRODUCT. Some States do not allow the exclusion or limitation of incidental or consequential damages, so the above limitation or exclusion may not apply to you. Beltronics is not responsible for products lost in shipment between the owner and our service center. Other legal rights: This warranty gives you specific legal rights, and you may also have other rights which vary from State to State.

©2018 Beltronics USA, Inc. Beltronics®, GT-360™, Escort Live!™, Defender®, TrueLock™, SmartShield®, SpecDisplay™, AutoSensitivity™ and EZ Mag Mount™ are trademarks of Beltronics USA, Inc. Manufactured in the Philippines. Features, specifications and prices subject to change without notice.

FCC NOTE: Modifications not expressly approved by the manufacturer could void the user's FCC granted authority to operate the equipment.

FCC ID:QL4M6. CONTAINS FCC ID:QKLB2

This device complies with part 15 of the FCC rules. Operation is subject to the following two conditions: (1) This device may not cause harmful interference, and (2) this device must accept any interference received including interference that may cause undesired operation.

### Notes for Programming

For descriptions of features and functions available when connected to ESCORT Live, visit [Beltronics.com](http://Beltronics.com) and download the GT-360 Owner's Manual.

To view serial number and software revision press MRK and MUTE while powering on detector.

To restore GT-360 to its original factory Settings, press and hold MRK and BRT while turning the power on. A **Restored** message will display, acknowledging the reset.

### Software Updates

GT-360's red light and speed camera database is easily updated using our exclusive detector software tools found on our web site. Firmware, or the operating software for the detector, can also be updated using these tools.

In order to have access to these updates, you must register your GT-360 at [www.Beltronics.com](http://www.Beltronics.com). Once registered, you will receive email notifications that updates are now available for your database or firmware. To handle your software and DEFENDER updates you need to connect your GT-360 to a computer first. You can connect GT-360 to a computer via USB/USB Mini B cable.