

BLOCK DIAGRAM

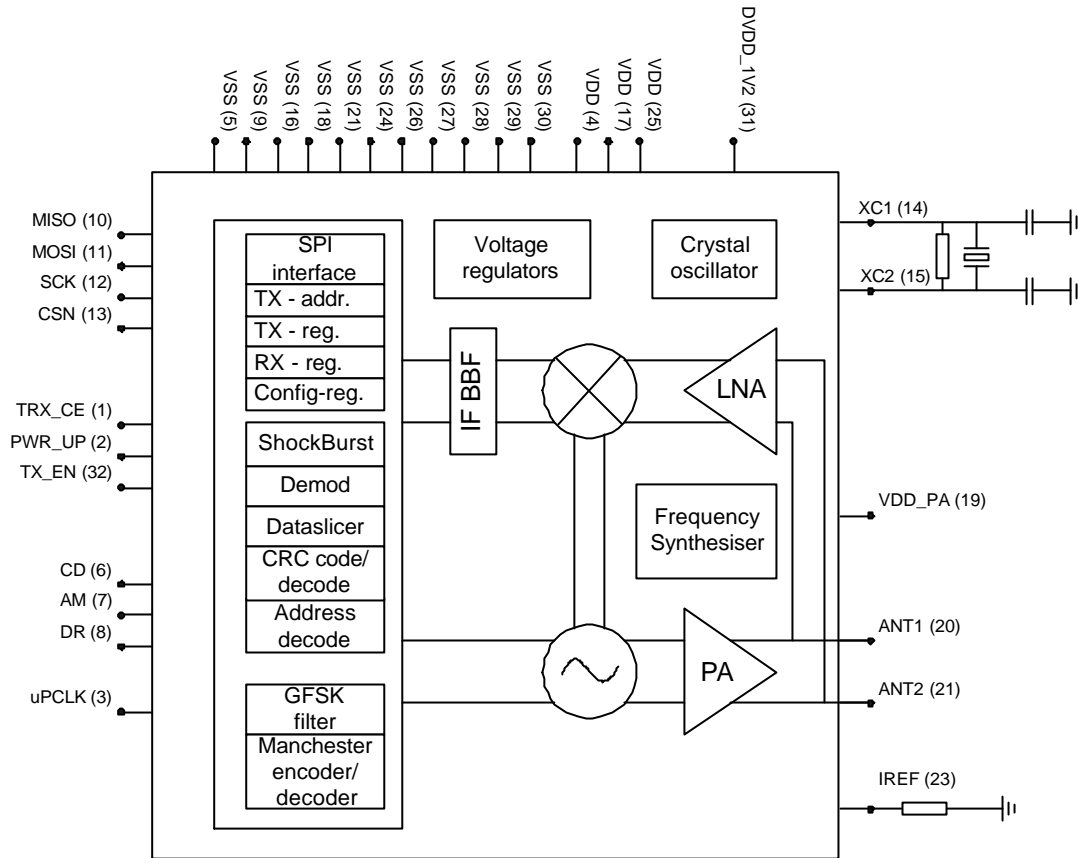


Figure 1 nRF905 with external components.