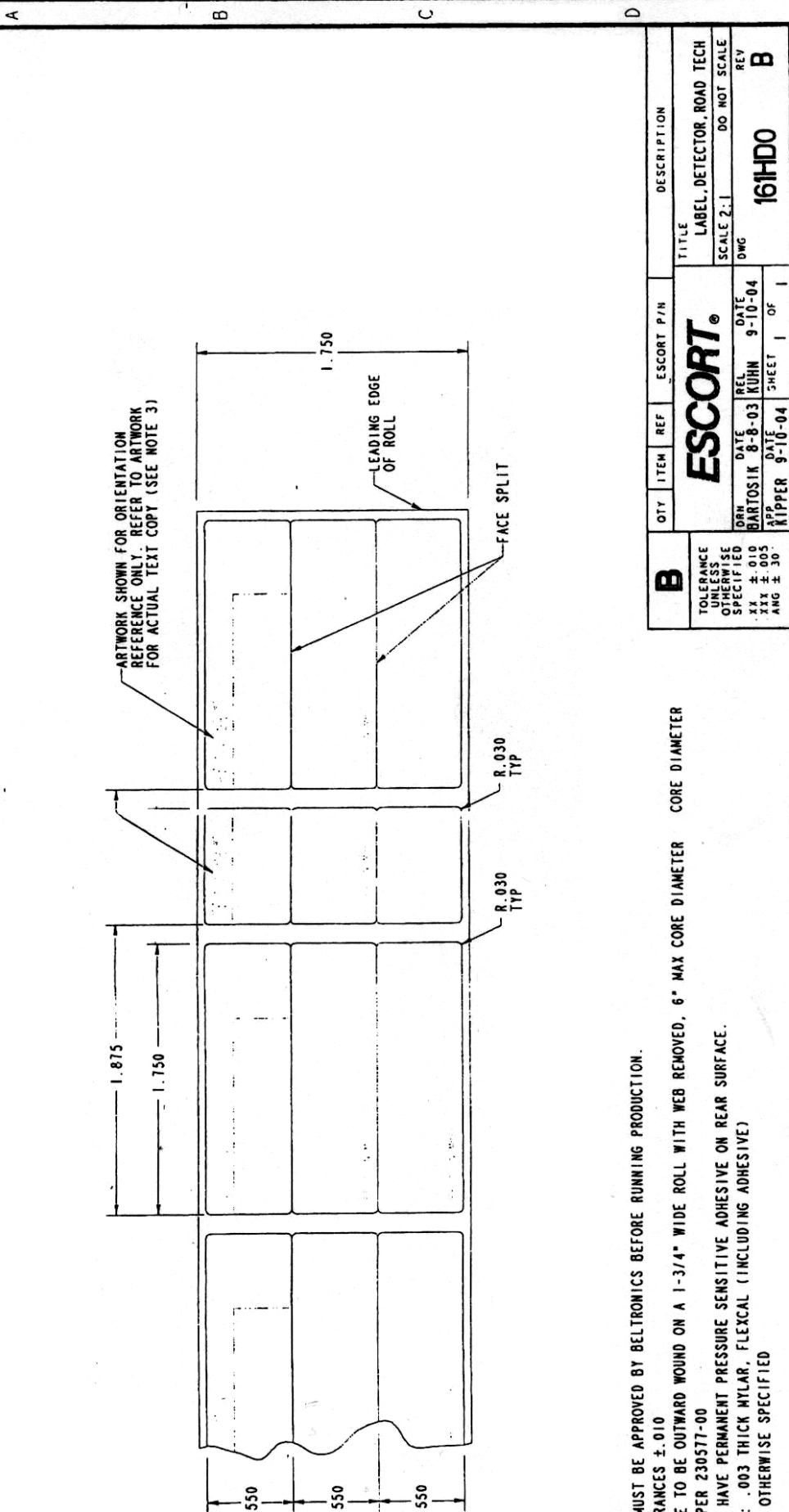


PROPRIETARY NOTE: THE DESIGN AND DATA ON THIS DRAWING ARE ORIGINATED BY AND ARE THE EXCLUSIVE PROPERTY OF ESCORT, INC. AND ARE TO BE HELD AND USED ON A CONFIDENTIAL BASIS. ALL WRITTEN MATERIAL AND OTHER DATA PERTAINING THERE TO WILL BE RETURNED TO ESCORT ON REQUEST.

REV	ECN	DATE	DESCRIPTION
A	0903104	9-10-03	NEW RELEASE
B	0504107	5-25-04	CHG TO 3-UP CONFIGURATION



QTY	ITEM	REF	ESCORT P/N	DESCRIPTION
B	ESCORT®			TITLE LABEL, DETECTOR, ROAD TECH
				SCALE 2:1 DO NOT SCALE
				DWG 161HDO
				REV B
				DRN BARTOSIK 8-8-03 KUHN 9-10-04
				APP RIPPER 9-10-04 SHEET 1 OF 1

6. SAMPLES MUST BE APPROVED BY BELTRONICS BEFORE RUNNING PRODUCTION.
5. ALL TOLERANCES ±.010
4. PARTS ARE TO BE OUTWARD WOUND ON A 1-3/4" WIDE ROLL WITH WEB REMOVED, 6" MAX CORE DIAMETER
3. ARTWORK PER 230577-00
2. LABEL TO HAVE PERMANENT PRESSURE SENSITIVE ADHESIVE ON REAR SURFACE.
1. MATERIAL: .003 THICK NYLAR, FLEXCAL (INCLUDING ADHESIVE)

NOTES: UNLESS OTHERWISE SPECIFIED