

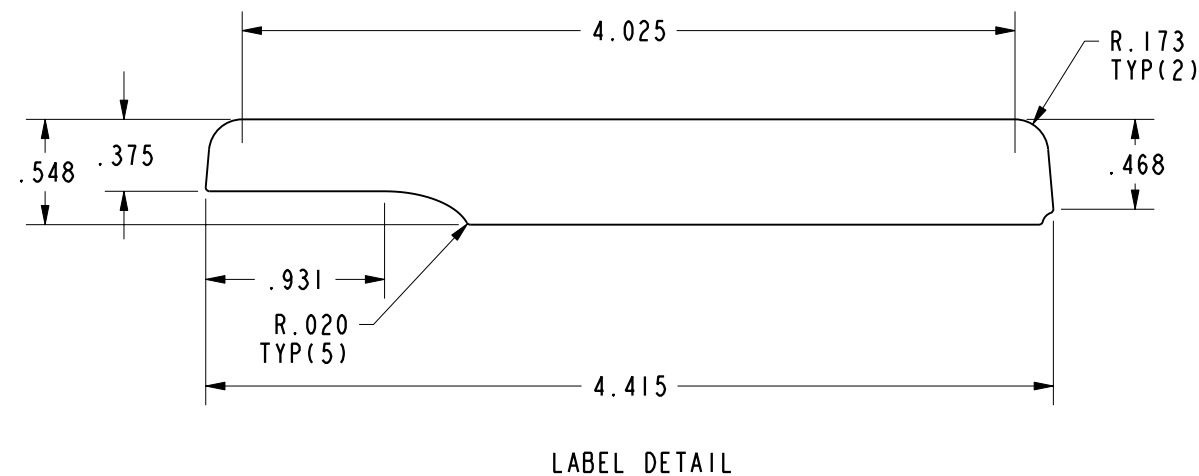
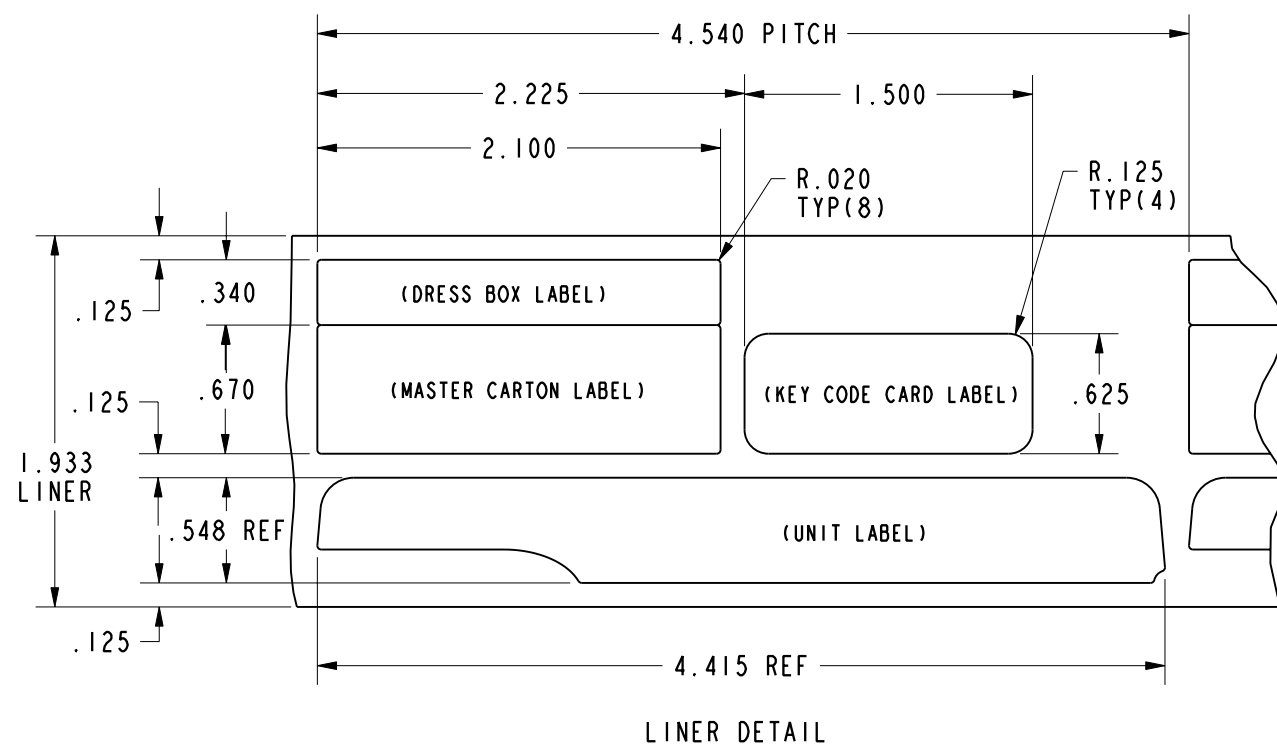
EK0481-3
Escort Inc.
Label Location Photographs



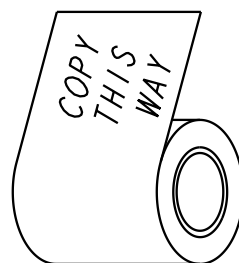
PART NUMBER	DESCRIPTION	ARTWORK
162025-01	LABEL, SERIAL NUMBER, CI TOUCH	174019-00

PROPRIETARY NOTE: THE DESIGN AND DATA ON THIS DRAWING ARE ORIGINATED BY AND ARE THE EXCLUSIVE PROPERTY OF ESCORT, INC. AND ARE TO BE HELD AND USED ON A CONFIDENTIAL BASIS. ALL WRITTEN MATERIAL AND OTHER DATA PERTAINING THERETO WILL BE RETURNED TO ESCORT ON REQUEST.

REV	ECN	DATE	DESCRIPTION	
A	0409101	4/1/09	NEW RELEASE	KLK
B	0210113	2/17/10	ADD LINER AND CARTON LABEL SPECS	DJB
C	0310102	3/2/10	AI - ARTWORK COLUMN ADDED	KLK



5. ALL TOLERANCES: $\pm .010$
 4. SERIAL NUMBER WITH BARCODE, FCC, AND KEY CODE TO BE PRINTED IN HOUSE PER DRAWING 98-000030 OF ESCORT SERIALIZATION LOG
 3. LABELS TO BE SUPPLIED IN ROLL FORM ON A 3" CORE WITH A .35" WIDE LINER
 2. LABEL TO HAVE PERMANENT PRESSURE SENSITIVE ADHESIVE ON BACK SURFACE
 1. MATERIAL: .003 THICK MYLAR (INCLUDING ADHESIVE), Flexca 0 5FS03
- NOTES: UNLESS OTHERWISE SPECIFIED



B	QTY	ITEM	REF	ESCORT P/N	DESCRIPTION
TOLERANCE UNLESS OTHERWISE SPECIFIED .XX $\pm .010$.XXX $\pm .005$ ANG $\pm 30'$	ESCORT				TITLE LABEL, SERIAL NUMBER
					SCALE 1:1 DO NOT SCALE
	DRN KIPPER	DATE 3/18/09	REL KUHN	DATE 4-2-09	DWG 162025
	APP KIPPER	DATE 4-1-09	SHEET 1	OF 1	