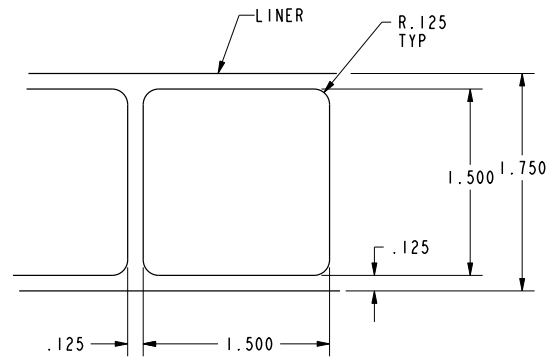


PART NUMBER	DESCRIPTION	ARTWORK
1630041-1	LABEL, SERIAL NUMBER, MAX CI REAR	AW-1630041-1X
1630041-2	LABEL, FCC MAX CI REAR, PHIL	AW-1630041-2X
1630041-3	LABEL, FCC & CE REAR RCVR W/INTL SOFTWARE	AW-1630041-3X
1630041-4	LABEL, FCC, M4+ RECEIVER	AW-1630041-4X

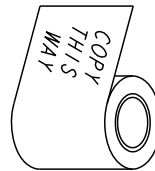
PROPRIETARY NOTE: THE DESIGN AND DATA ON THIS DRAWING ARE ORIGINATED BY AND ARE THE EXCLUSIVE PROPERTY OF ESCORT, INC. AND ARE TO BE HELD AND USED ON A CONFIDENTIAL BASIS. ALL WRITTEN MATERIAL AND OTHER DATA PERTAINING THERETO WILL BE RETURNED TO ESCORT ON REQUEST.

REV	ECN	DATE	DESCRIPTION	
A	2161001	10/3/16	NEW RELEASE	
B	2180104	1/9/18	-2, -3 PARTS ADDED	KLK
C	2180105	1/10/18	-4 PART ADDED	KLK



FCC ID:QKLM4R2

6. LABELS TO BE SUPPLIED IN ROLL FORM ON A 3" CORE AND ORIENTED AS SHOWN.
5. ARTWORK PER CHART
4. SERIAL NUMBER WITH BARCODE, FCC, AND KEY CODE TO BE PRINTED IN HOUSE PER DRAWING 98-000030 OF ESCORT SERIALIZATION LOG
3. LABELS TO BE SUPPLIED IN ROLL FORM AND A 4" WIDE LINER
2. LABEL TO HAVE PERMENTENT PRESSURE SENSITIVE ADHESIVE ON BACK SURFACE
1. MATERIAL: .003 THICK MYLAR (INCLUDING ADHESIVE)



B	QTY	ITEM	REF	ESCORT P/N	DESCRIPTION
TOLERANCE UNLESS OTHERWISE SPECIFIED .XX ±.010 .XXX ±.005 ANG ± 30°	<b>ESCORT®</b>				TITLE LABEL, SERIAL NUMBER, MAX CI REAR
					SCALE 1:1 DO NOT SCALE
	DRN KIPPER	DATE 10/3/16	REL KUHN	DATE 10/3/16	DWG <b>1630041</b>
	APP KIPPER	DATE 10/3/16	SHEET 1	OF 1	REV <b>C</b>