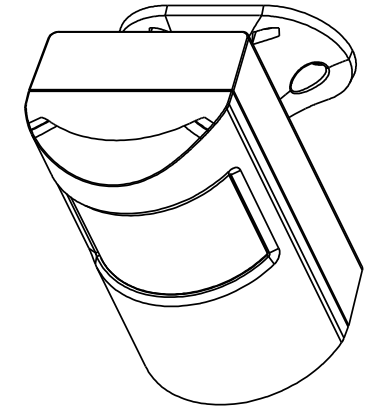
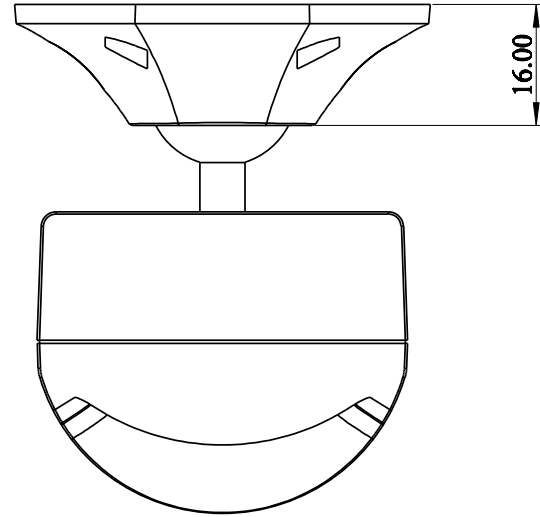
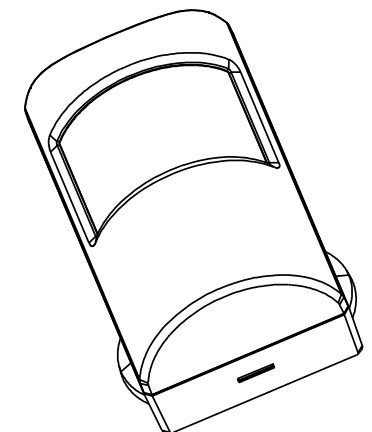
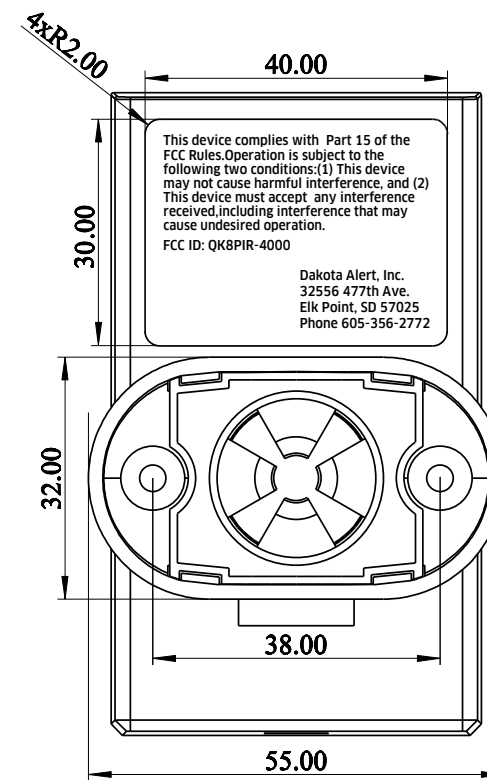
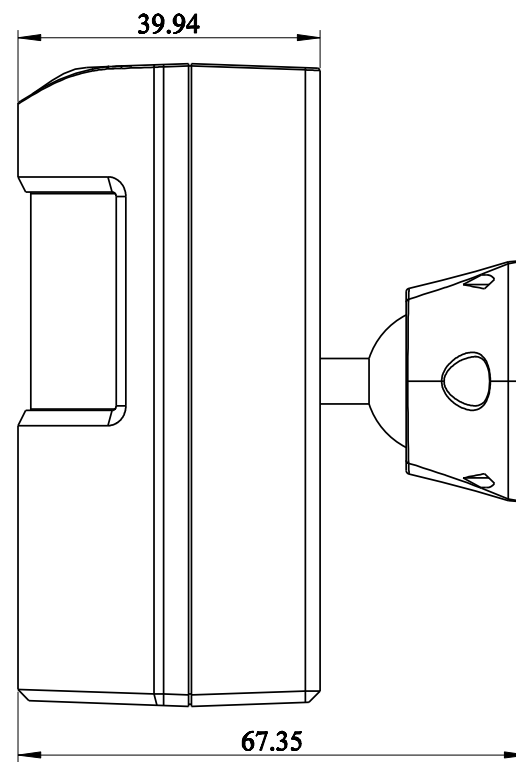
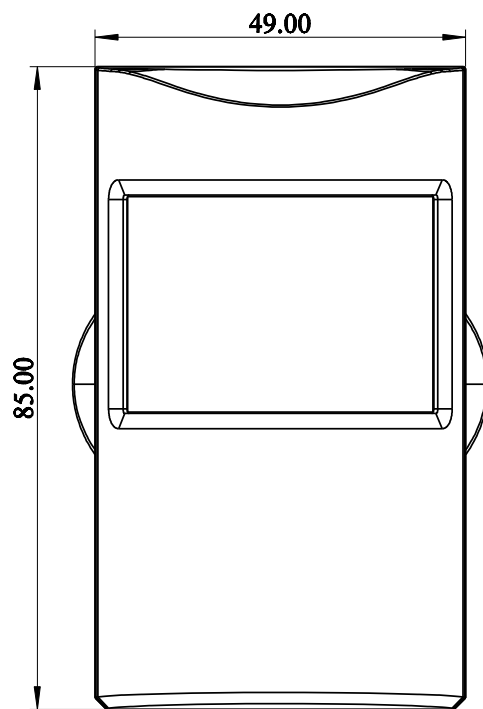
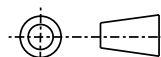


REV.	Ref. Doc.	DESCRIPTION	DRAW	CHECK	DATE
A	N/A	NEW RELEASE	Leo Lu	Leo Lu	2021.05.06
B	N/A				



SCALE 0.600



LINEAR : x.x ` 0.15 x.xx ` 0.1 ANGULAR : `0.5~	TITLE : DWG.NO:	0-PIR-4000		
PROJECTION:  THIRD ANGLE	MODEL :	MATERIAL:	*	
	UNIT : SIZE :	MM A4	REV. :	A
	SCALE :	1.000	CHECK:	Leo Lu
	SHEET :	1 OF 1	DRAW :	Leo Lu
		DATE :	2021.05.06	