

6

5

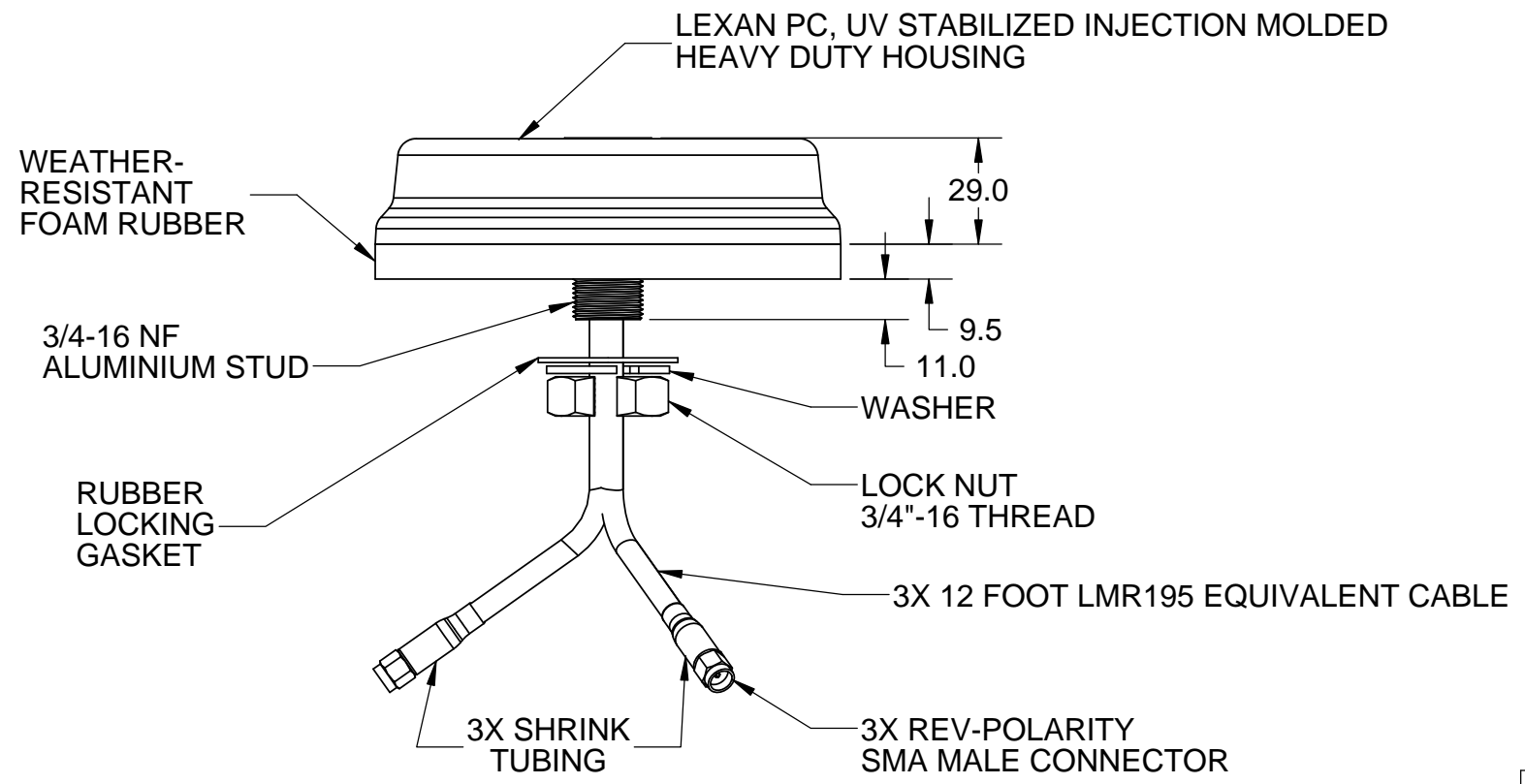
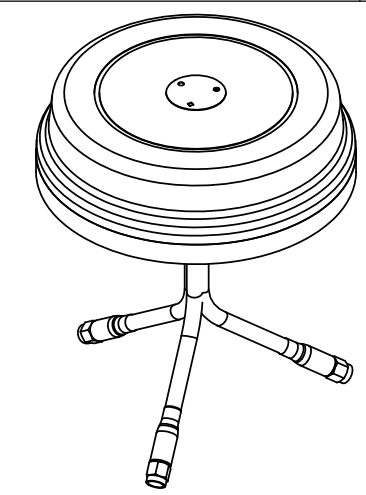
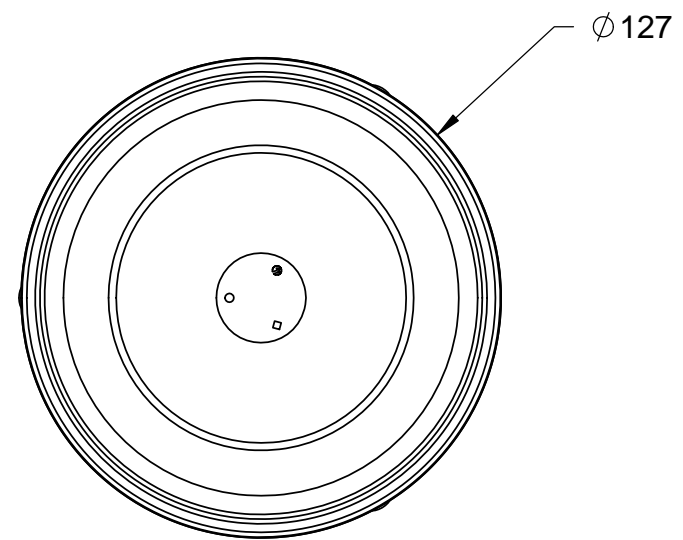
4

3

2

1

| REVISIONS | | | | | |
|-----------|------|------|----------------------------------|-----------------|------------------|
| REV. | ECR# | ZONE | DESCRIPTION | CHANGED BY/DATE | APPROVED BY/DATE |
| 1 | | | INITIAL RELEASE | WT NG 10-22-12 | GJ CHIN 10-22-12 |
| 2 | | | REVISED GAIN VALUE ON SPEC TABLE | WT NG 11-16-12 | GJ CHIN 11-16-12 |
| AA | | | PRODUCTION RELEASE | WT NG 21-11-12 | GJ CHIN 21-11-12 |



| Parameter | Performance | |
|---------------------------------|------------------------------------|------------------------|
| Model Number Laird Technologies | VMT244903-MT1 | |
| Motorola Model Number | ML-2452-VMM3M3-036 | |
| Antenna Type | Omni | |
| RF Connector | 3X Rev-Polarity SMA Male Connector | |
| Cable Type | LMR195 Equivalent Cable | |
| Cable P/N (Removeable) | N/A | |
| Cable Length, Lc | 365.76cm±73mm (144"±2.8") | |
| Plenum Rated | No | |
| Frequency (MHz) | 2400-2500 | 4900-5875 |
| Gain dBi | 3.6 dBi Typ 4.5 dBi Max. | 4 dBi Typ 5.4 dBi Max. |
| Azimuth beam width Typ 3dB | Omnidirectional | Omnidirectional |
| Elevation beam width Typ 3dB | 40° | 30° |
| Polarization | Linear | |
| VSWR | 2.0:1 Max. | |
| Power (Watts) | 50W Max. | |
| Weight lbs (kg) | Approximate 1.34 lb (0.61kg) | |
| Storage Temp Range (°C) | -35°C to 80°C | |
| Operator Temp Range (°C) | -35°C to 80°C | |
| Outdoor Rated | Yes | |
| Mounting | Bulkhead | |
| Radome | PC, Black | |
| RoHS | Compliant | |

The component(s), including any plating, finishes, coatings, chemicals and surfaces treatments, supplied in this document/drawing must conform and comply with the latest issue of Laird Technologies Specification LT-GES-001, which fully includes but is not limited to all contents of EU Directives 2002/95/EC (RoHS Directive), as well as includes requirements of the Joint Industry Guide standard JIG-101, April 2005. The component(s) in this document/drawing may be subject to a full compound analysis for proof of compliance. The latest issue of Laird Technologies Specification LT-GES-001, (General Specification for the Environment) is readily available upon request from the supplier.

UNLESS OTHERWISE NOTED, THIS DOCUMENT CONTAINS LAIRD TECHNOLOGIES CONFIDENTIAL INFORMATION. REPRODUCTION, USE, DISCLOSURE OR TRANSMITTAL OF ALL OR ANY PART OF THIS DOCUMENT IS PROHIBITED EXCEPT TO THE EXTENT APPROVED IN WRITING BY AN AUTHORIZED REPRESENTATIVE OF LAIRD TECHNOLOGIES. LAIRD TECHNOLOGIES RESERVES ALL RIGHTS UNDER PATENTS, TRADEMARKS, COPYRIGHTS AND TRADE SECRETS. COPYRIGHT, LAIRD TECHNOLOGIES 2010, ALL RIGHTS RESERVED.

| | | | | | |
|-------------|---------|------------------------|--|--|---|
| MATERIAL: | | THIRD ANGLE PROJECTION | | INFRASTRUCTURE ANTENNA SYSTEMS PENANG, MALAYSIA | |
| FINISH: | | DO NOT SCALE DRAWING | | | |
| APPROVALS | | DATE | | TITLE: | |
| DRAWN BY | WT NG | 10-22-12 | | MOUNTING & OUTLINE VMT244903-MT1 | |
| PROJ. ENG. | LL TEOH | 10-22-12 | | | |
| APPL. MECH. | GJ CHIN | 10-22-12 | | INTERPRET DIMENSIONING AND TOLERANCING IN ACCORDANCE WITH ASME Y14.5M-2009 TOLERANCES UNLESS OTHERWISE SPECIFIED DIMENSIONS ARE IN MILLIMETERS | |
| MFG. | CH FONG | 10-22-12 | | ANGLE: ±30' 0 PLACE DECIMAL: ±0.5 1 PLACE DECIMAL: ±0.25 2 PLACE DECIMAL: ±0.13 SURFACE ROUGHNESS 1.6/√ | SIZE A3 DWG. NO. VMT244903-MT1MO SCALE: 1:2 PREVIOUS# |
| | | | | REV AA | SHEET 1 OF 1 |

6

5

4

3

2

1