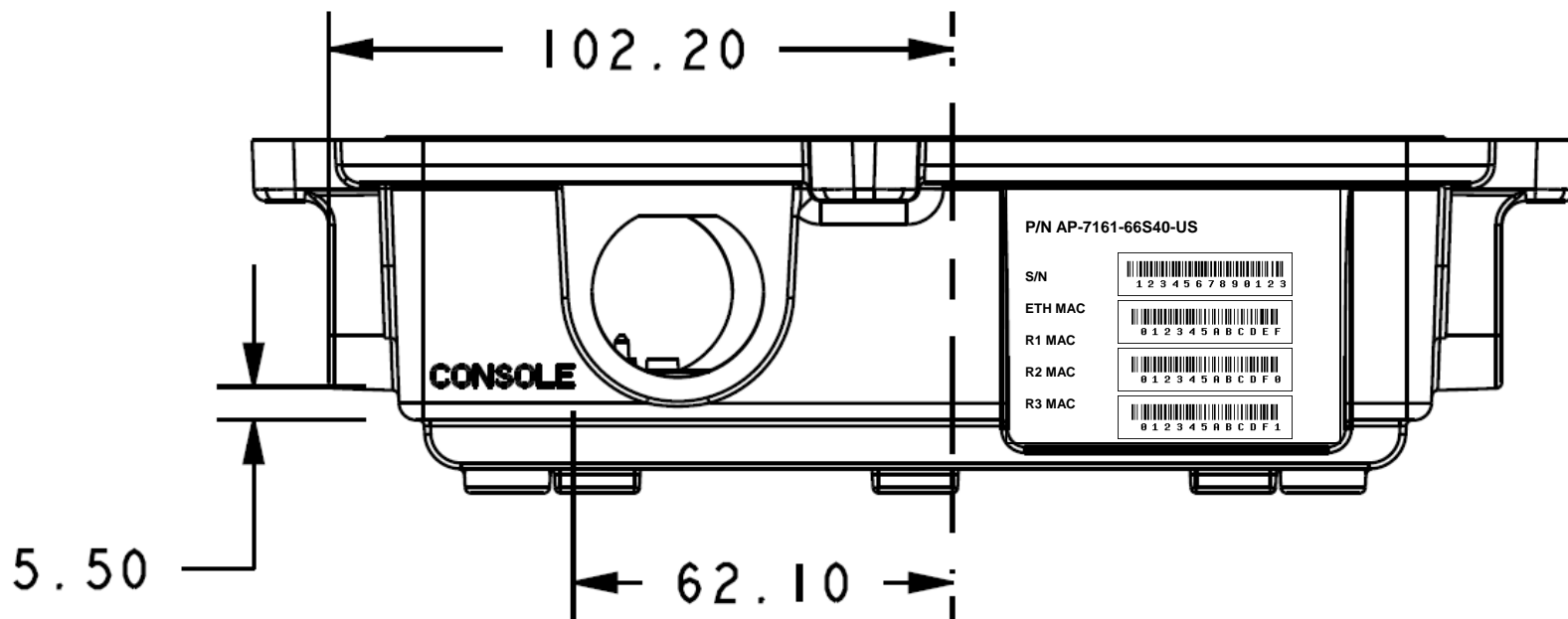


AP-7161 Label Review

Feb 24, 2011

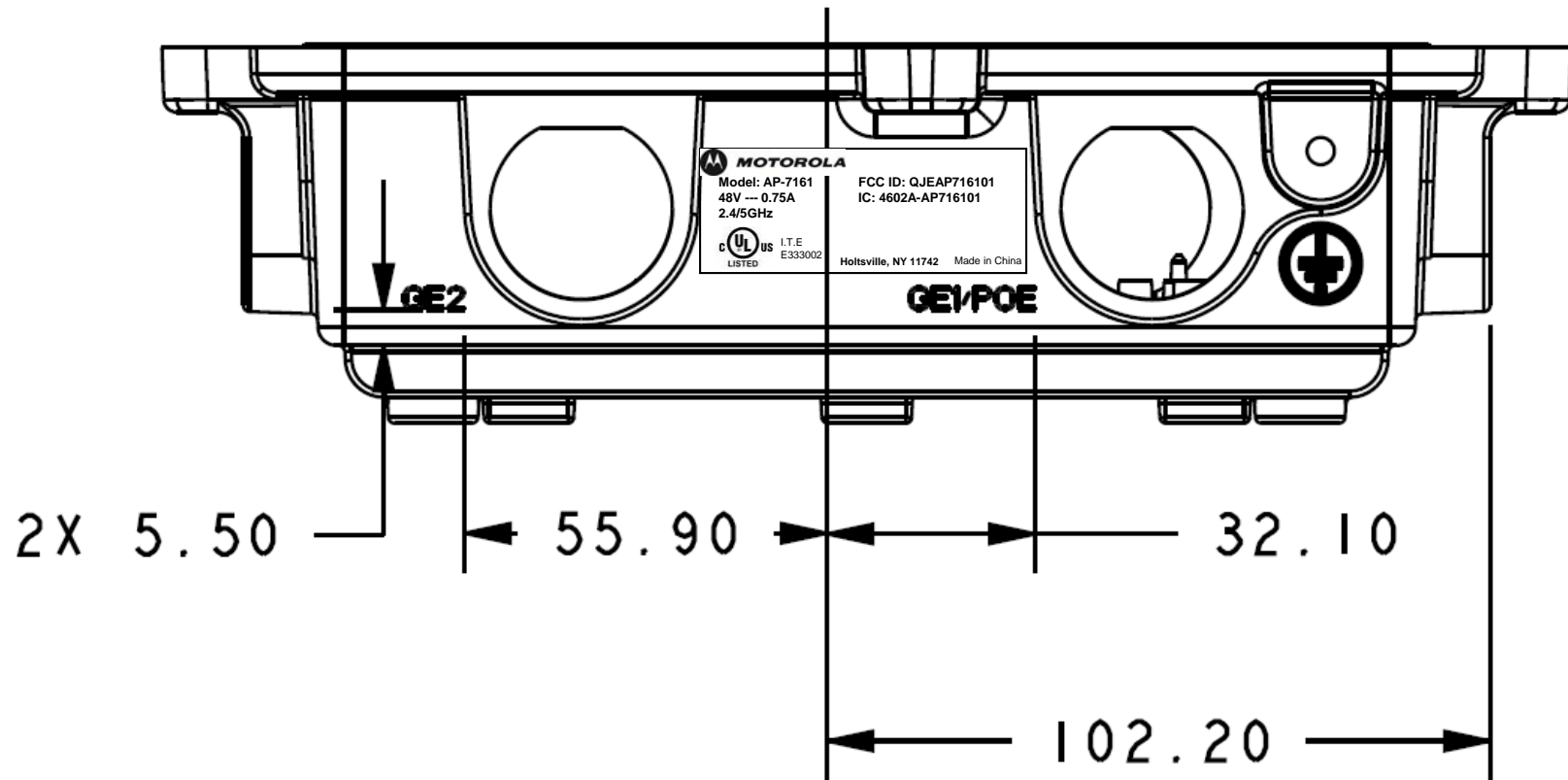


Serial Number Label Location US Model



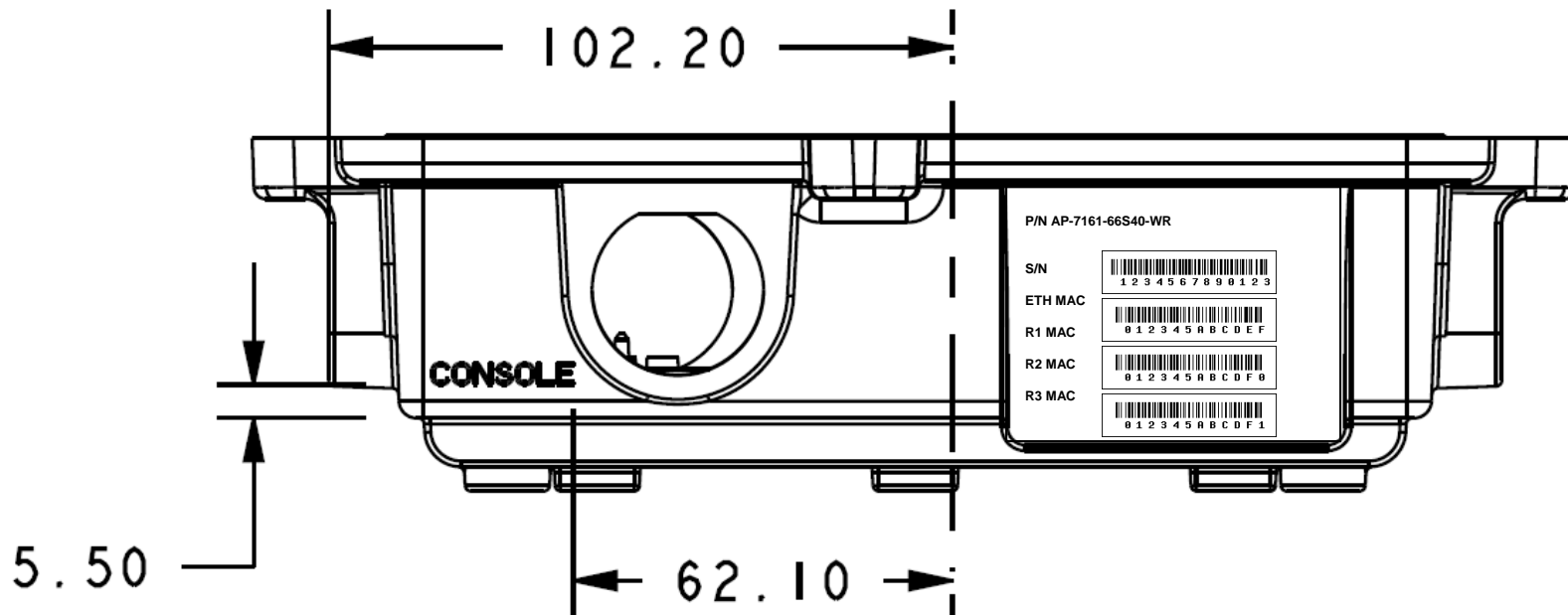
Model number options: AP-7161-66040-US, AP-7161-66S40-US
Use DC Symbol after 48V
Two Radio model (AP-7161-66040-US) will not have R3 MAC

Regulatory Label Location US Model



Serial Number Label Location

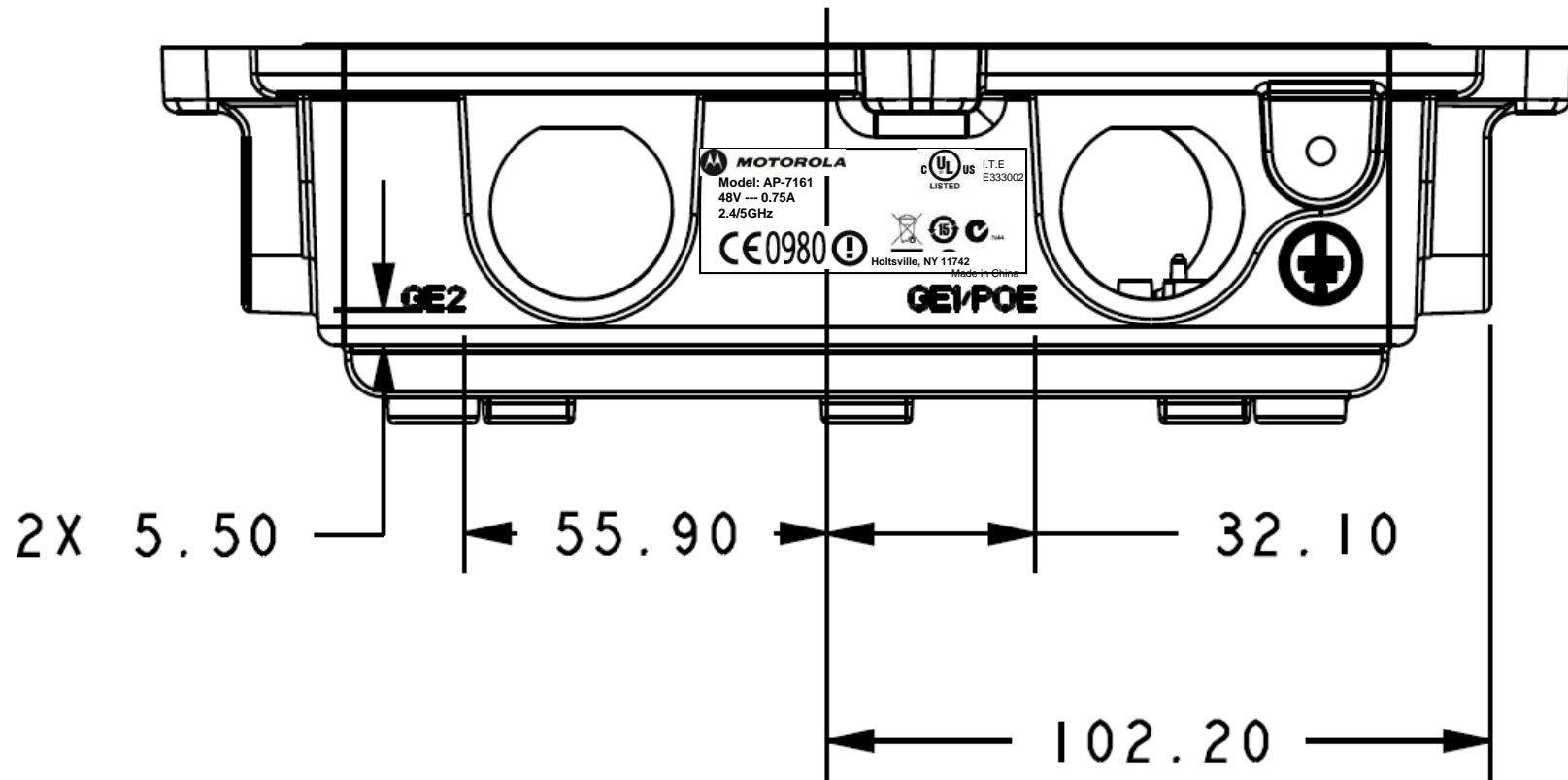
WR – Worldwide RoHS Model



Model number options: AP-7161-66040-WR, AP-7161-66S40-WR
Use DC Symbol after 48V
Two Radio model (AP-7161-66040-WR) will not have R3 MAC

Regulatory Label Location

WR – Worldwide RoHS Model



Shipping Container

P/N options: AP-7161-66040-US, AP-7161-66S40-US, AP-7161-66040-WR, AP-7161-66S40-WR

Place CE Mark on -WR models.

Place MAC addresses on label below S/N.

