

6

5

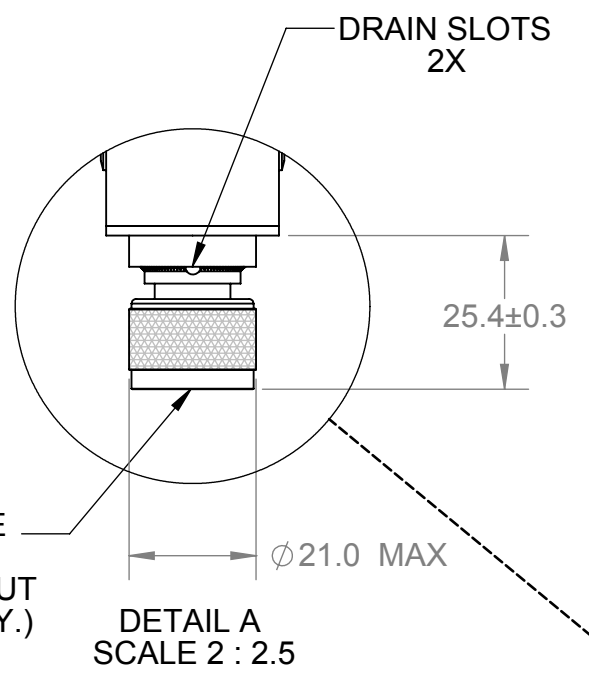
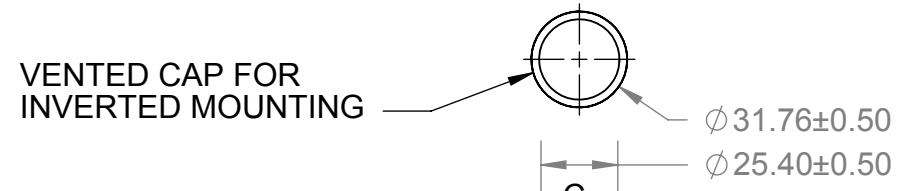
4

3

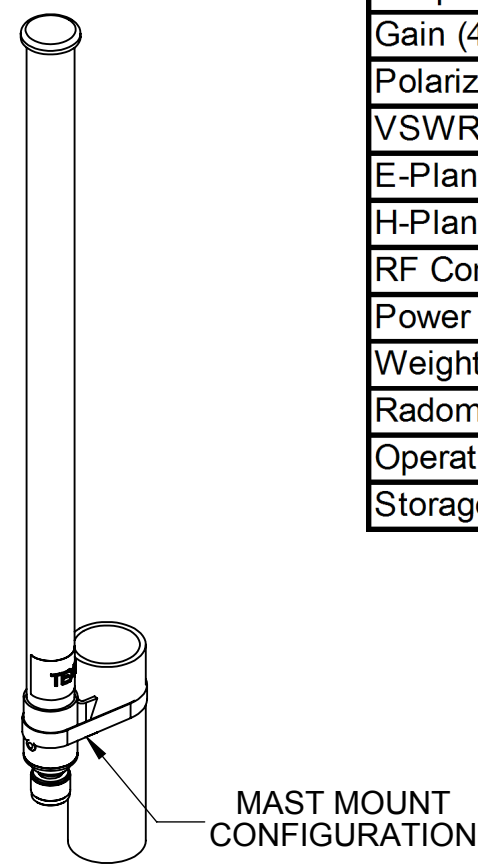
2

1

REVISIONS				
REV.	ECR #	DESCRIPTION	CHANGED BY/DATE	APPROVED BY/DATE
AA		INITIAL RELEASE	k.s. 10-22-07	k.s. 10-22-07
AB	MAN-4156	CHGND CAP ON RADOME TO 156911-VENTED TO INVERT UNIT	MCL 08-25-10	K.S. 08-25-10



495.5±2.3



Parameter	Performance
Model Number	S4908WBFNM
Frequency	4.9 -5.875 GHz
Gain (4.9 -5.875 GHz)	10 dBi
Polarization	Linear
VSWR	2.0:1
E-Plane 3 dB Beamwidth	8 Degrees
H-Plane 3 dB Beamwidth	Omnidirectional
RF Connector	Fixed N-Male
Power	10 Watts
Weight (Antenna)	.4 lb.
Radome	White UV Polycarbonate
Operating Temp. Range	-30C to +70C
Storage Temp. Range	-40C to +85C

D

D

C

C

B

B

A

A

The component(s), including any plating, finishes, coatings, chemicals and surfaces treatments, supplied in this document/drawing must conform and comply with the latest issue of Laird Technologies Specification LT-GES-001, which fully includes but is not limited to all contents of EU Directives 2002/95/EC (RoHS Directive), as well as includes requirements of the Joint Industry Guide standard JIG-101, April 2005. The component(s) in this document/drawing may be subject to a full compound analysis for proof of compliance. The latest issue of Laird Technologies Specification LT-GES-001, (General Specification for the Environment) is readily available upon request from the supplier.

UNLESS OTHERWISE NOTED, THIS DOCUMENT CONTAINS LAIRD TECHNOLOGIES CONFIDENTIAL INFORMATION. REPRODUCTION, USE, DISCLOSURE OR TRANSMITTAL OF ALL OR ANY PART OF THIS DOCUMENT IS PROHIBITED EXCEPT TO THE EXTENT APPROVED IN WRITING BY AN AUTHORIZED REPRESENTATIVE OF LAIRD TECHNOLOGIES. LAIRD TECHNOLOGIES RESERVES ALL RIGHTS UNDER PATENTS, TRADEMARKS, COPYRIGHTS AND TRADE SECRETS. COPYRIGHT, LAIRD TECHNOLOGIES 2010, ALL RIGHTS RESERVED.

MATERIAL: N/A		THIRD ANGLE PROJECTION
FINISH: N/A		
APPROVALS		DO NOT SCALE DRAWING
DRAWN BY	DATE	INTERPRET DIMENSIONING AND TOLERANCING IN ACCORDANCE WITH ASME Y14.5M-2009 TOLERANCES UNLESS OTHERWISE SPECIFIED DIMENSIONS ARE IN MILLIMETERS
PROJ. ENG.	10-22-07	
APPL. MECH.	10-22-07	
MFG.	10-23-07	
		ANGLE: 0 PLACE DECIMAL: ±30' 1 PLACE DECIMAL: ±0.5 2 PLACE DECIMAL: ±0.25 SURFACE ROUGHNESS 1.6



TITLE: S4908WBFNM, MOUNTING & OUTLINE		
SIZE A3	DWG. NO. S4908WBFNMMO	REV AB
SCALE: 1:2.5 PREVIOUS#		SHEET 1 OF 1

6

5

4

3

2

1