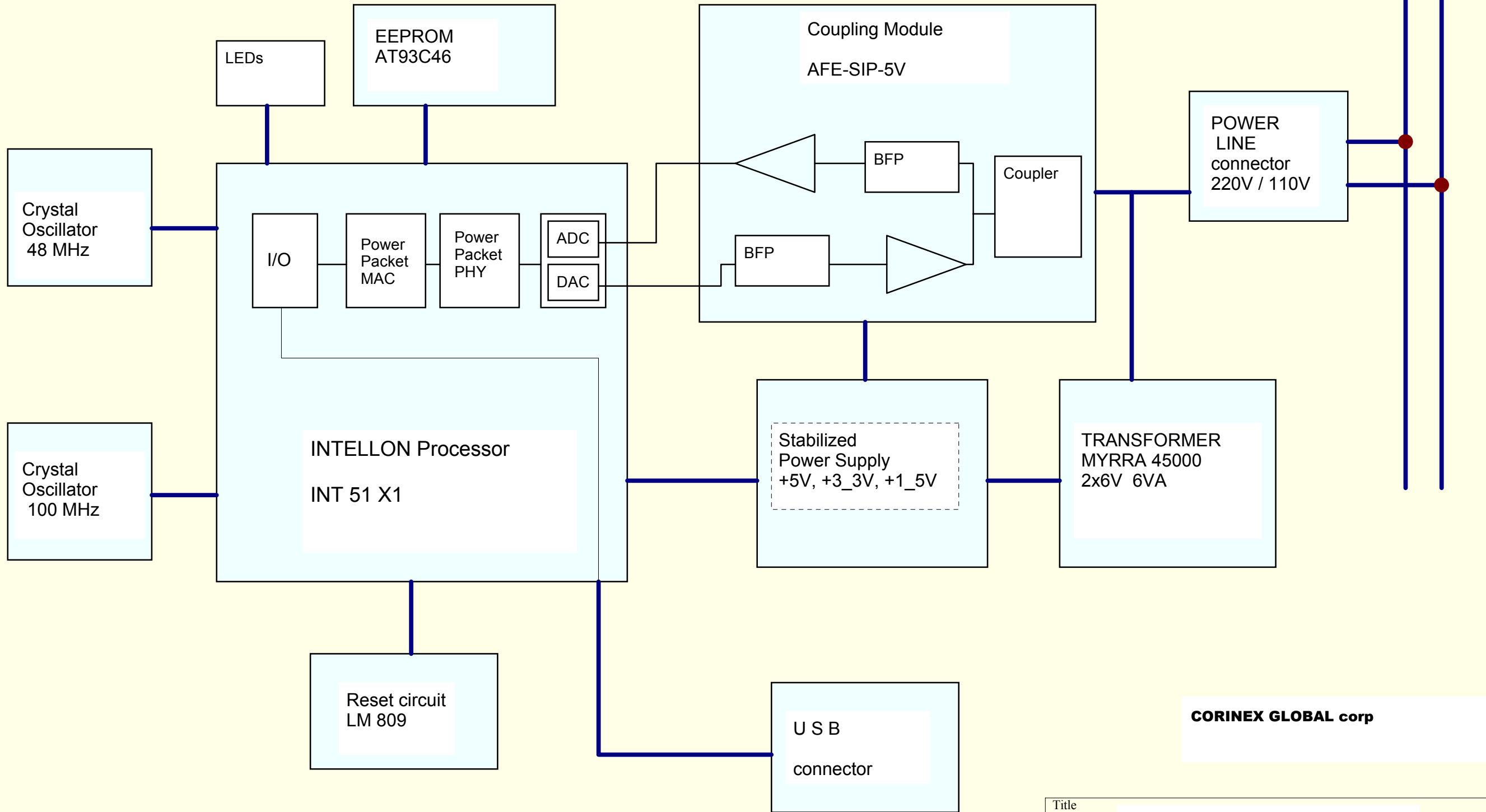


# U S B Adapter Blok Diagram



**CORINEX GLOBAL corp**

Title	U S B Adapter	
Size	Number	Revision
A4		
Date:	21-Jan-2003	Sheet of
File:	D:\work\X1_USB\USB_diagram.ddb	Drawn By: