



DYNAMIC FREQUENCY SELECTION

DFS Test Report

APPLICANT : Huawei Technologies Co., Ltd.
EQUIPMENT : Smart Phone
BRAND NAME : Honor
MODEL NAME : YAL-L41
FCC ID : QISYAL-L41
STANDARD : FCC Part 15 Subpart E
CLASSIFICATION : (NII) Unlicensed National Information Infrastructure

The product was received on May 10, 2019 and completely tested on May 19, 2019 We, Sporton International (ShenZhen) Inc., would like to declare that the tested sample has been evaluated in accordance with the procedures and shown to be compliant with the applicable technical standards.

The test results in this report apply exclusively to the tested model / sample. Without written approval of Sporton International (ShenZhen) Inc., the test report shall not be reproduced except in full.

Derreck Chen

Reviewed by: Derreck Chen / Supervisor

Eric Shih

Approved by: Eric Shih / Manager



Sporton International (ShenZhen) Inc.

1/F, 2/F, Bldg 5, Shiling Industrial Zone, Xinwei Village, Xili, Nanshan, Shenzhen, 518055
People's Republic of China



TABLE OF CONTENTS

REVISION HISTORY.....3

SUMMARY OF DYNAMIC FREQUENCY SELECTION TEST.....4

1 GENERAL DESCRIPTION5

 1.1 Applicant5

 1.2 Feature of Equipment Under Test5

 1.3 Product Specification of Equipment Under Test.....6

 1.4 Testing Site6

 1.5 Applied Standards7

 1.6 Support Unit used in test configuration and system7

 1.7 Specification of Accessory.....8

2 REQUIREMENTS AND PARAMETERS FOR DFS TEST10

 2.1 Applicability of DFS Requirements10

 2.2 Interference Threshold values, Master or Client incorporating In-Service Monitoring12

 2.3 DFS Response requirement values.....13

 2.4 Short Pulse Radar Test Waveforms14

3 CALIBRATION SETUP AND DFS TEST RESULTS15

 3.1 Calibration of Radar Waveform15

 3.2 In-Service Monitoring: Channel Move Time, Channel Closing Transmission Time and Non-Occupancy Period.....17

4 LIST OF MEASURING EQUIPMENT23

APPENDIX A. SETUP PHOTOGRAPHS



REVISION HISTORY

REPORT NO.	VERSION	DESCRIPTION	ISSUED DATE
FZ951002	Rev. 01	Initial issue of report	May 27, 2019



SUMMARY OF DYNAMIC FREQUENCY SELECTION TEST

UNII	Bandwidth and Channel	Description	Measured	Limit	Result
U-NII-2C 5470-5725MHz	160MHz (CH114) 5570MHz	Channel Move Time	0.89723sec	10 sec	Pass
		Channel Closing Transmission time	<200ms + 5.6ms (aggregate)	200 ms + aggregate of 60 ms over remaining 10 s period	Pass
		Non-Occupancy Period and Client Beacon Test	No transmission or Beacons occurred	30 minutes	Pass

Note:

1. Since the product is client without radar detection function, only Channel Move Time, Channel Closing Transmission Time and Non-Occupancy Period Test are required to be performed.
2. For UNII Band 2-A, 160MHz(CH52)/5250MHz and UNII-2C,160MHz(CH114)/5570MHz, all test modes were tested which compliance with test requirements, only test data of UNII-2C, 160MHz(CH114) were reported.



1 General Description

1.1 Applicant

Huawei Technologies Co., Ltd.

Administration Building, Headquarters of Huawei Technologies Co., Ltd., Bantian, Longgang District, Shenzhen, 518129, P.R.C

1.2 Feature of Equipment Under Test

Product Feature	
Equipment	Smart Phone
Brand Name	Honor
Model Name	YAL-L41
FCC ID	QISYAL-L41
EUT supports Radios application	GSM/GPRS/EGPRS/WCDMA/HSPA/ DC-HSDPA/HSPA+(16QAM uplink is not supported)/LTE WLAN 2.4GHz 802.11b/g/n HT20/HT40 WLAN 5GHz 802.11a/n HT20/HT40 WLAN 5GHz 802.11ac VHT20/VHT40/VHT80/VHT160 Bluetooth BR/EDR/LE NFC and GNSS
HW Version	HL2YALEM04
SW Version	9.1.0.119(C900E119R1P2)

Remark:

1. The above EUT's information was declared by manufacturer. Please refer to the specifications or user's manual for more detailed description.
2. There are two types of EUT sample 1 and sample 2, the differences between two samples is for Battery which is different suppliers. We only choose sample 1 to perform full tests.

1.3 Product Specification of Equipment Under Test

Product Specification subjective to this standard	
DFS Function	Client without radar detection function
Tx/Rx Channel Frequency Range	5260 MHz ~ 5320 MHz 5500 MHz ~ 5720 MHz
EUT support WLAN function	<5260 MHz ~ 5320 MHz> 802.11a 802.11n HT20 802.11n HT40 802.11ac VHT20 802.11ac VHT40 802.11ac VHT80 802.11ac VHT160 <5500 MHz ~ 5720 MHz > 802.11a 802.11n HT20 802.11n HT40 802.11ac VHT20 802.11ac VHT40 802.11ac VHT80 802.11ac VHT160
Type of Modulation	802.11a/n : OFDM (BPSK / QPSK / 16QAM / 64QAM) 802.11ac : OFDM (BPSK / QPSK / 16QAM / 64QAM / 256QAM)

1.4 Testing Site

Sporton International (Shenzhen) Inc. is accredited to ISO/IEC 17025:2017 by American Association for Laboratory Accreditation with Certificate Number 5145.01.

Test Firm	Sporton International (Shenzhen) Inc.		
Test Site Location	1/F, 2/F, Bldg 5, Shiling Industrial Zone, Xinwei Village, Xili, Nanshan, Shenzhen, 518055 People's Republic of China TEL: +86-755-86379589 FAX: +86-755-86379595		
Test Site No.	Sporton Site No.	FCC Designation No.	FCC Test Firm Registration No.
	DFS01-SZ	CN1256	421272

1.5 Applied Standards

According to the specifications of the manufacturer, the EUT must comply with the requirements of the following standards:

- FCC Part 15 Subpart E
- FCC KDB 905462 D02 UNII DFS Compliance Procedures New Rules v02
- FCC KDB 905462 D03 UNII Clients Without Radar Detection New Rules v01r02

Remark: All test items were verified and recorded according to the standards and without any deviation during the test.

1.6 Support Unit used in test configuration and system

Item	Equipment	Trade Name	Model Name	FCC ID	HW / FW Version	Power Cord
1.	WLAN AP	LINKSYS	WRT3200ACM	Q87-WRT3200ACM	N/A	AC I/P: Unshielded, 1.8m DC O/P: Shielded, 2 m
2.	Notebook	Lenovo	G450	N/A	N/A	AC I/P: Unshielded, 1.2m DC O/P: Shielded, 1.8 m



1.7 Specification of Accessory

AC Adapter 1	Brand Name	Huawei Technologies Co., Ltd.	Model Name	HW-050450U00
	Power Rating	I/P:100 - 240 Vac, 750mA, O/P: 5Vdc, 2A; 4.5Vdc, 5A; 5Vdc, 4.5A		
	Manufacturer	Salcomp		
AC Adapter 2	Brand Name	Huawei Technologies Co., Ltd.	Model Name	HW-050450U00
	Power Rating	I/P:100 - 240 Vac, 750mA, O/P: 5Vdc, 2A; 4.5Vdc, 5A; 5Vdc, 4.5A		
	Manufacturer	HUNTKEY		
AC Adapter 3	Brand Name	Huawei Technologies Co., Ltd.	Model Name	HW-050450U00
	Power Rating	I/P:100 - 240 Vac, 750mA, O/P: 5Vdc, 2A; 4.5Vdc, 5A; 5Vdc, 4.5A		
	Manufacturer	HuaweiTechnologies Co., Ltd.		
AC Adapter 4	Brand Name	Huawei Technologies Co., Ltd.	Model Name	HW-050450E01
	Power Rating	I/P:100 - 240 Vac, 750mA, O/P: 5Vdc, 2A; 4.5Vdc, 5A; 5Vdc, 4.5A		
	Manufacturer	HuaweiTechnologies Co., Ltd.		
AC Adapter 5	Brand Name	Huawei Technologies Co., Ltd.	Model Name	HW-050450A01
	Power Rating	I/P:100 - 240 Vac, 750mA, O/P: 5Vdc, 2A; 4.5Vdc, 5A; 5Vdc, 4.5A		
	Manufacturer	Huawei Technologies Co., Ltd.		
AC Adapter 6	Brand Name	Huawei Technologies Co., Ltd.	Model Name	HW-050450E00
	Power Rating	I/P:100 - 240 Vac, 750mA, O/P: 5Vdc, 2A; 4.5Vdc, 5A; 5Vdc, 4.5A		
	Manufacturer	Salcomp		
AC Adapter 7	Brand Name	Huawei Technologies Co., Ltd.	Model Name	HW-050450E00
	Power Rating	I/P:100 - 240 Vac, 750mA, O/P: 5Vdc, 2A; 4.5Vdc, 5A; 5Vdc, 4.5A		
	Manufacturer	HUNTKEY		
AC Adapter 8	Brand Name	Huawei Technologies Co., Ltd.	Model Name	HW-050450E00
	Power Rating	I/P:100 - 240 Vac, 750mA, O/P: 5Vdc, 2A; 4.5Vdc, 5A; 5Vdc, 4.5A		
	Manufacturer	Huawei Technologies Co., Ltd.		
AC Adapter 9	Brand Name	Huawei Technologies Co., Ltd.	Model Name	HW-050450A00
	Power Rating	I/P:100 - 240 Vac, 750mA, O/P: 5Vdc, 2A; 4.5Vdc, 5A; 5Vdc, 4.5A		
	Manufacturer	Salcomp		
AC Adapter 10	Brand Name	Huawei Technologies Co., Ltd.	Model Name	HW-050450A00
	Power Rating	I/P:100 - 240 Vac, 750mA, O/P: 5Vdc, 2A; 4.5Vdc, 5A; 5Vdc, 4.5A		
	Manufacturer	HUNTKEY	SN	
AC Adapter 11	Brand Name	Huawei Technologies Co., Ltd.	Model Name	HW-050450A00
	Power Rating	I/P:100 - 240 Vac, 750mA, O/P: 5Vdc, 2A; 4.5Vdc, 5A; 5Vdc, 4.5A		
	Manufacturer	Huawei Technologies Co., Ltd.		
AC Adapter 12	Brand Name	Huawei Technologies Co., Ltd.	Model Name	HW-050450B00
	Power Rating	I/P:100 - 240 Vac, 750mA, O/P: 5Vdc, 2A; 4.5Vdc, 5A; 5Vdc, 4.5A		
	Manufacturer	Salcomp		
AC Adapter 13	Brand Name	Huawei Technologies Co., Ltd.	Model Name	HW-050450B00
	Power Rating	I/P:100 - 240 Vac, 750mA, O/P: 5Vdc, 2A; 4.5Vdc, 5A; 5Vdc, 4.5A		
	Manufacturer	HUNTKEY		
AC Adapter 14	Brand Name	Huawei Technologies Co., Ltd.	Model Name	HW-050450B00
	Power Rating	I/P:100 - 240 Vac, 750mA, O/P: 5Vdc, 2A; 4.5Vdc, 5A; 5Vdc, 4.5A		
	Manufacturer	Huawei Technologies Co., Ltd.		
USB Cable 1	Brand Name	FOXCONN INTERCONNECT TECHNOLOGY LIMITED.	Model Name	CUDU01B-HC350-EH
	Signal Line	1 meter, shielded cable, with w/o ferrite core		



USB Cable 2	Brand Name	LUXSHARE Precision Industry Co., Ltd.	Model Name	L99UC117-CS-H
	Signal Line	1 meter, shielded cable, with w/o ferrite core		
USB Cable 3	Brand Name	NingBo Broad Telecommunication Co.,Ltd.	Model Name	WA0009
	Signal Line	1 meter, shielded cable, with w/o ferrite core		
USB Cable 4	Brand Name	HUIZHOU DEHONG TECHNOLOGY CO.,LTD.	Model Name	330-50465
	Signal Line	1 meter, shielded cable, with w/o ferrite core		
Earphone 1	Brand Name	Boluo County Quancheng Electronic Co., Ltd.	Model Name	1331-3301-6001-TC-296
	Signal Line	1.1 meter, non-shielded cable, with w/o ferrite core		
Earphone 2	Brand Name	Goertek Inc.	Model Name	Windy-C
	Signal Line	1.1 meter, non-shielded cable, with w/o ferrite core		
Earphone 3	Brand Name	Jiangxi Lianchuang Hongsheng Electronic Co., LTD.	Model Name	MEND1632B729000
	Signal Line	1.1 meter, non-shielded cable, with w/o ferrite core		
Earphone 4	Brand Name	Foster Electric Co.,(GuangZhou) LTD.	Model Name	618017
	Signal Line	1.1 meter, non-shielded cable, with w/o ferrite core		
Battery 1	Brand Name	Huizhou Desay Battcry Co., Ltd.	Model Name	HB436486ECW
	Power Rating	3.82 Vdc, 3900 mAh	Type	Li-ion, Yes
Battery 2	Brand Name	SUNWODA Electronic Co., Ltd.	Model Name	HB436486ECW
	Power Rating	3.82 Vdc, 3900 mAh	Type	Li-ion, Yes

2 Requirements and Parameters for DFS Test

2.1 Applicability of DFS Requirements

EUT is client and operates as client without radar detection function.

Table 1: Applicability of DFS Requirements Prior to Use of a Channel

Requirement	Operational Mode		
	Master	Client Without Radar Detection	Client With Radar Detection
Non-Occupancy Period	Yes	Not required	Yes
DFS Detection Threshold	Yes	Not required	Yes
Channel Availability Check Time	Yes	Not required	Not required
U-NII Detection Bandwidth	Yes	Not required	Yes

Table 2: Applicability of DFS requirements during normal operation

Requirement	Operational Mode		
	Master	Client Without Radar Detection	Client With Radar Detection
DFS Detection Threshold	Yes	Not required	Yes
Channel Closing Transmission Time	Yes	Yes	Yes
Channel Move Time	Yes	Yes	Yes
U-NII Detection Bandwidth	Yes	Not required	Yes
Client Beacon Test	N/A	Yes	Yes



Additional requirements for devices with multiple bandwidth modes	Operational Mode	
	Master or Client With Radar Detection	Client Without Radar Detection
U-NII Detection Bandwidth and Statistical Performance Check	All BW modes must be tested	Not required
Channel Move Time and Channel Closing Transmission Time	Test using widest BW mode available	Test using the widest BW mode available for the link
All other tests	Any single BW mode	Not required
<p>Note</p> <p>Frequencies selected for statistical performance check (Section 7.8.4) should include several frequencies within the radar detection bandwidth and frequencies near the edge of the radar detection bandwidth. For 802.11 devices it is suggested to select frequencies in each of the bonded 20 MHz channels and the channel center frequency.</p>		



2.2 Interference Threshold values, Master or Client incorporating In-Service Monitoring

Maximum Transmit Power	Value (see notes 1, 2, and 3)
EIRP ≥ 200 milliwatt	-64 dBm
EIRP < 200 milliwatt and power spectral density < 10 dBm/MHz	-62 dBm
EIRP < 200 milliwatt that do not meet the power spectral density requirement	-64 dBm
<p>Note 1: This is the level at the input of the receiver assuming a 0 dBi receive antenna.</p> <p>Note 2: Throughout these test procedures an additional 1 dB has been added to the amplitude of the test transmission waveforms to account for variations in measurement equipment. This will ensure that the test signal is at or above the detection threshold level to trigger a DFS response.</p> <p>Note 3: EIRP is based on the highest antenna gain. For MIMO devices refer to KDB Publication 662911 D01.</p>	

The radar *Detection Threshold*, lowest antenna gain is the parameter of Interference *radar DFS detection threshold*, The Interference *Detection Threshold* is the $(-62\text{dBm}) + (0) [\text{dBi}] + 1 \text{ dB} = -61 \text{ dBm}$.



2.3 DFS Response requirement values

Parameter	Value
<i>Non-occupancy period</i>	Minimum 30 minutes
<i>Channel Availability Check Time</i>	60 seconds
<i>Channel Move Time</i>	10 seconds See Note 1.
<i>Channel Closing Transmission Time</i>	200 milliseconds + an aggregate of 60 milliseconds over remaining 10 second period. See Notes 1 and 2.
<i>U-NII Detection Bandwidth</i>	Minimum 100% of the 99% power bandwidth See Note 3.

Note 1: The instant that the *Channel Move Time* and the *Channel Closing Transmission Time* begins is as follows:

- For the Short pulse radar Test Signals this instant is the end of the *Burst*.
- For the Frequency Hopping radar Test Signal, this instant is the end of the last radar *Burst* generated.
- For the Long Pulse radar Test Signal this instant is the end of the 12 second period defining the radar transmission.

Note 2: The *Channel Closing Transmission Time* is comprised of 200 milliseconds starting at the beginning of the *Channel Move Time* plus any additional intermittent control signals required to facilitate *Channel* changes (an aggregate of 60 milliseconds) during the remainder of the 10 second period. The aggregate duration of control signals will not count quiet periods in between transmissions.

Note 3: During the *U-NII Detection Bandwidth* detection test, radar type 0 is used and for each frequency step the minimum percentage of detection is 90%. Measurements are performed with no data traffic.



2.4 Short Pulse Radar Test Waveforms

As the EUT is a Client Device with no Radar Detection, only one type radar pulse is required for the testing. Radar Pulse type 0 was used in the evaluation of the Client device for the purpose of measuring the Channel Move Time and the Channel Closing Transmission Time.

Radar Type	Pulse Width (μsec)	PRI (μsec)	Number of Pulses	Minimum Percentage of Successful Detection	Minimum Trials
0	1	1428	18	60%	30
1	1	Test A Test B	Roundup $\left\{ \left(\frac{1}{360} \right) \cdot \left(\frac{19 \cdot 10^6}{PRI_{\mu sec}} \right) \right\}$	60%	30
2	1-5	150-230	23-29	60%	30
3	6-10	200-500	16-18	60%	30
4	11-20	200-500	12-16	60%	30
Aggregate (Radar Types 1-4)				80%	120

Test A: 15 unique PRI values randomly selected from the list of 23 PRI values in Table 5a
Test B: 15 unique PRI values randomly selected within the range of 518-3066 μ sec, with a minimum increment of 1 μ sec, excluding PRI values selected in Test A

A minimum of 30 unique waveforms are required for each of the short pulse radar types 2 through 4. For short pulse radar type 1, the same waveform is used a minimum of 30 times. If more than 30 waveforms are used for short pulse radar types 2 through 4, then each additional waveform must also be unique and not repeated from the previous waveforms.

If more than 30 waveforms are used for Short Pulse Radar Type 1, then each additional waveform is generated with Test B and must also be unique and not repeated from the previous waveforms in Tests A or B.

The aggregate is the average of the percentage of successful detections of short pulse radar types 1-4.

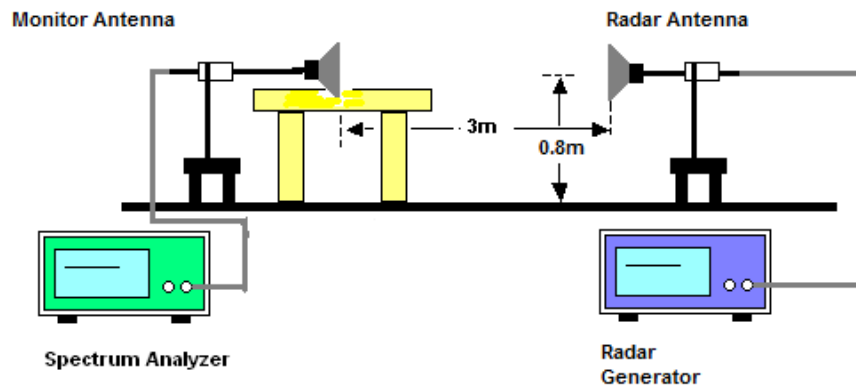
3 Calibration Setup and DFS Test Results

3.1 Calibration of Radar Waveform

3.1.1 Radar Waveform Calibration Procedure

The Interference **Radar Detection Threshold Level** is $(-62\text{dBm}) + (0) [\text{dBi}] + 1 \text{ dB} = -61\text{dBm}$ that had been taken into account the output power range and antenna gain. The following equipment setup was used to calibrate the radiated Radar Waveform. A vector signal generator was utilized to establish the test signal level for radar type 0. During this process there were no transmissions by either the Master or Client Device. The spectrum analyzer was switched to the zero span (Time Domain) at the frequency of the Radar Waveform generator. Peak detection was used. The spectrum analyzer resolution bandwidth (RBW) and video bandwidth (VBW) were set to 3 MHz to measure the type 0 radar waveform. The spectrum analyzer had offset -8.26dB to compensate receiving horn antenna gain 11.80dBi and RF cable loss 3.54dB. The vector signal generator amplitude was set so that the power level measured at the spectrum analyzer was $(-62\text{dBm}) + (0) [\text{dBi}] + 1 \text{ dB} = -61 \text{ dBm}$. Capture the spectrum analyzer plots on short pulse radar waveform.

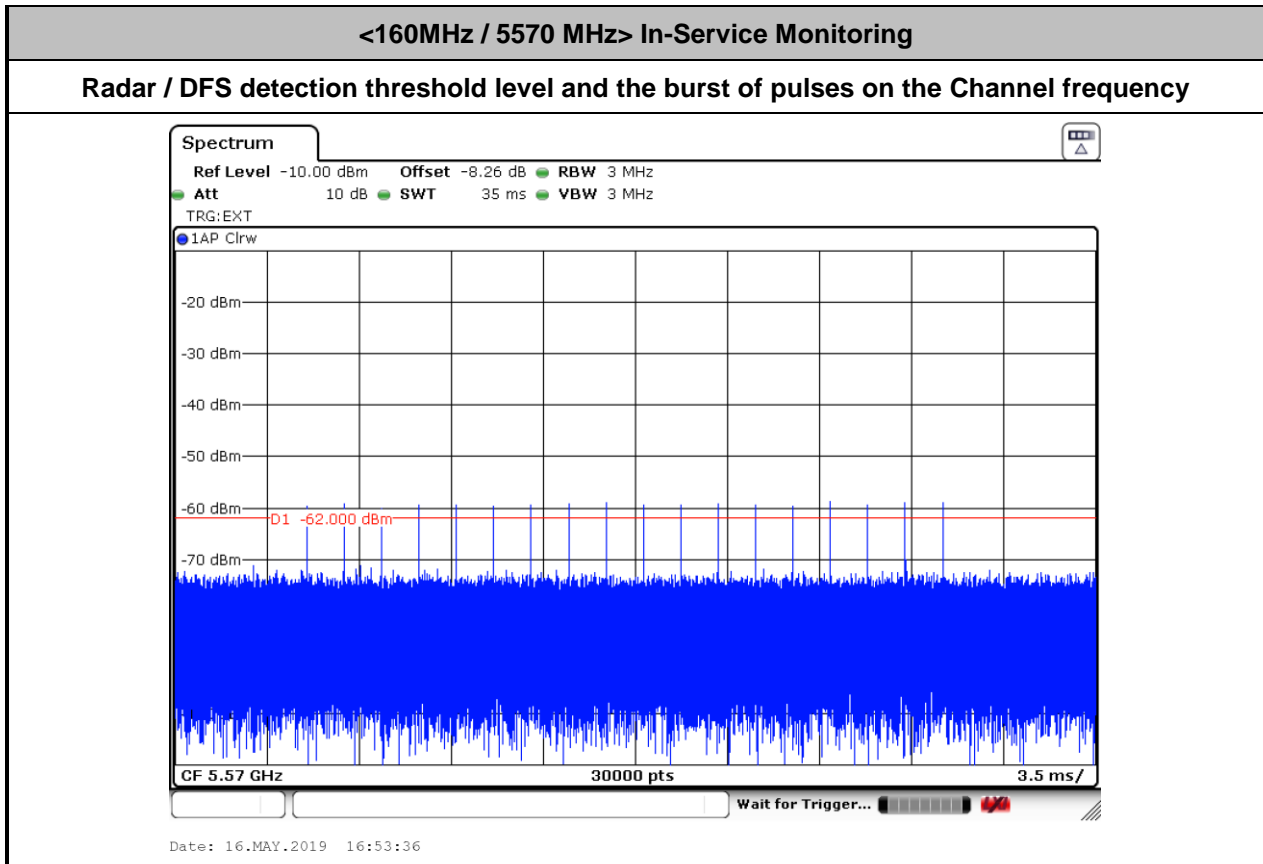
3.1.2 Radiated Calibration Setup



3.1.3 Calibration Deviation

There is no deviation with the original standard.

3.1.4 Radar Waveform Calibration Result





3.2 In-Service Monitoring: Channel Move Time, Channel Closing Transmission Time and Non-Occupancy Period

3.2.1 Limit of In-Service Monitoring

The EUT has In-Service Monitoring function to continuously monitor the radar signals, If radar is detected, it must leave the channel (Shutdown). The Channel Move Time to cease all transmissions on the current Channel upon detection of a Radar Waveform above the DFS Detection Threshold within 10 sec. The total duration of *Channel Closing Transmission Time* is comprised of 200 milliseconds starting at the beginning of the *Channel Move Time* plus any additional intermittent control signals required to facilitate *Channel* changes (an aggregate of 60 milliseconds) during the remainder of the 10 second period. The aggregate duration of control signals will not count quiet periods in between transmissions.

Non-Occupancy Period time is 30 minute during which a Channel will not be utilized after a Radar Waveform is detected on that Channel. The non-associated Client Beacon Test is during the 30 minutes observation time. The EUT should not make any transmissions in the DFS band after EUT power up.

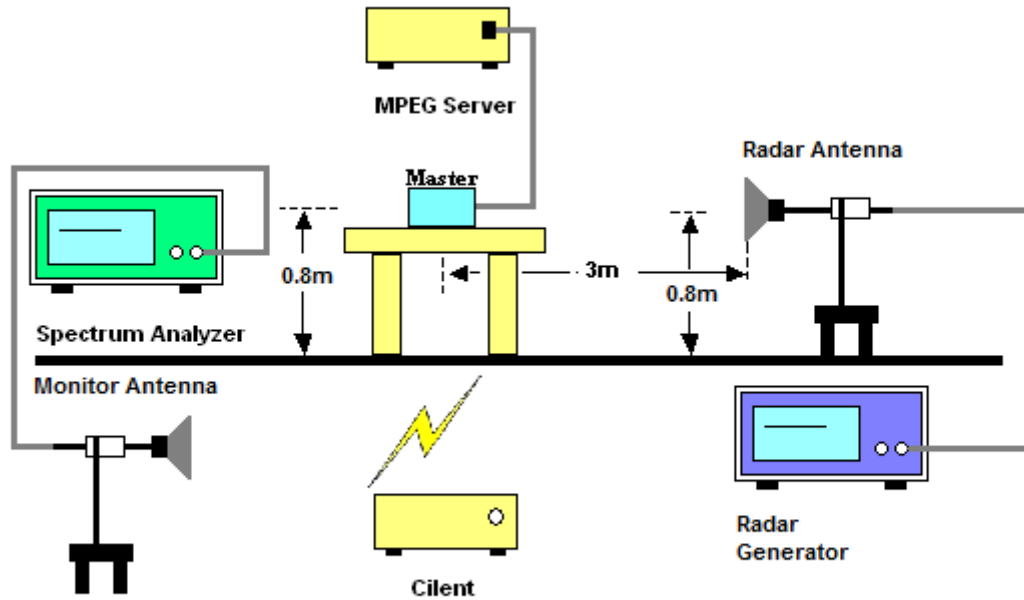


3.2.2 Test Procedures

1. The radar pulse generator is setup to provide a pulse at frequency that the Master and Client are operating. A type 0 radar pulse with a 1us pulse width and a 1428 us PRI is used for the testing.
2. The vector signal generator is adjusted to provide the radar burst (18 pulses) at a level of approximately -62dBm at the antenna of the Master device.
3. A trigger is provided from the pulse generator to the DFS monitoring system in order to capture the traffic and the occurrence of the radar pulse.
4. A U-NII device operating as a Client Device will associate with the Master at Channel. The MPEG file "TestFile.mpg" specified by the FCC is streamed from the "file computer" through the Master to the Client Device and played in full motion video using Media Player Classic Ver. 6.4.8.6 in order to properly load the network for the entire period of the test.
5. When a radar Burst with a level equal to the DFS Detection Threshold + 1dB is generated on the Operating Channel of the U-NII device. At time T0 the Radar Waveform generator sends a Burst of pulse of the radar waveform at Detection Threshold + 1dB.
6. Observe the transmissions of the EUT at the end of the radar Burst on the Operating Channel. Measure and record the transmissions from the EUT during the observation time (Channel Move Time). One 12 seconds plot is reported for the Short Pulse Radar Types 1. The plot for the Short Pulse Radar Types start at the end of the radar burst. The Channel Move Time will be calculated based on the zoom in 600ms plot of the Short Pulse Radar Type.
7. Measurement of the aggregate duration of the Channel Closing Transmission Time method. With the spectrum analyzer set to zero span tuned to the center frequency of the EUT operating channel at the radar simulated frequency, peak detection, and max hold, the dwell time per bin is given by: **Dwell (0.4ms) = S (12000ms) / B (30000)**; where Dwell is the dwell time per spectrum analyzer sampling bin, S is the sweep time and B is the number of spectrum analyzer sampling bins. An upper bound of the aggregate duration of the intermittent control signals of Channel Closing Transmission Time is calculated by: **C (ms) = N X Dwell (0.4 ms)**; where C is the Closing Time, N is the number of spectrum analyzer sampling bins (intermittent control signals) showing a U-NII transmission and Dwell is the dwell time per bin.
8. Measure the EUT for more than 30 minutes following the channel move time to verify that no transmissions or beacons occur on this Channel.

3.2.3 Test Setup

Radiated Test Setup Photo



3.2.4 Test Deviation

There is no deviation with the original standard.



3.2.5 Result of Channel Move Time, Channel Closing Transmission Time and Non-Occupancy Period for Client Beacon Test

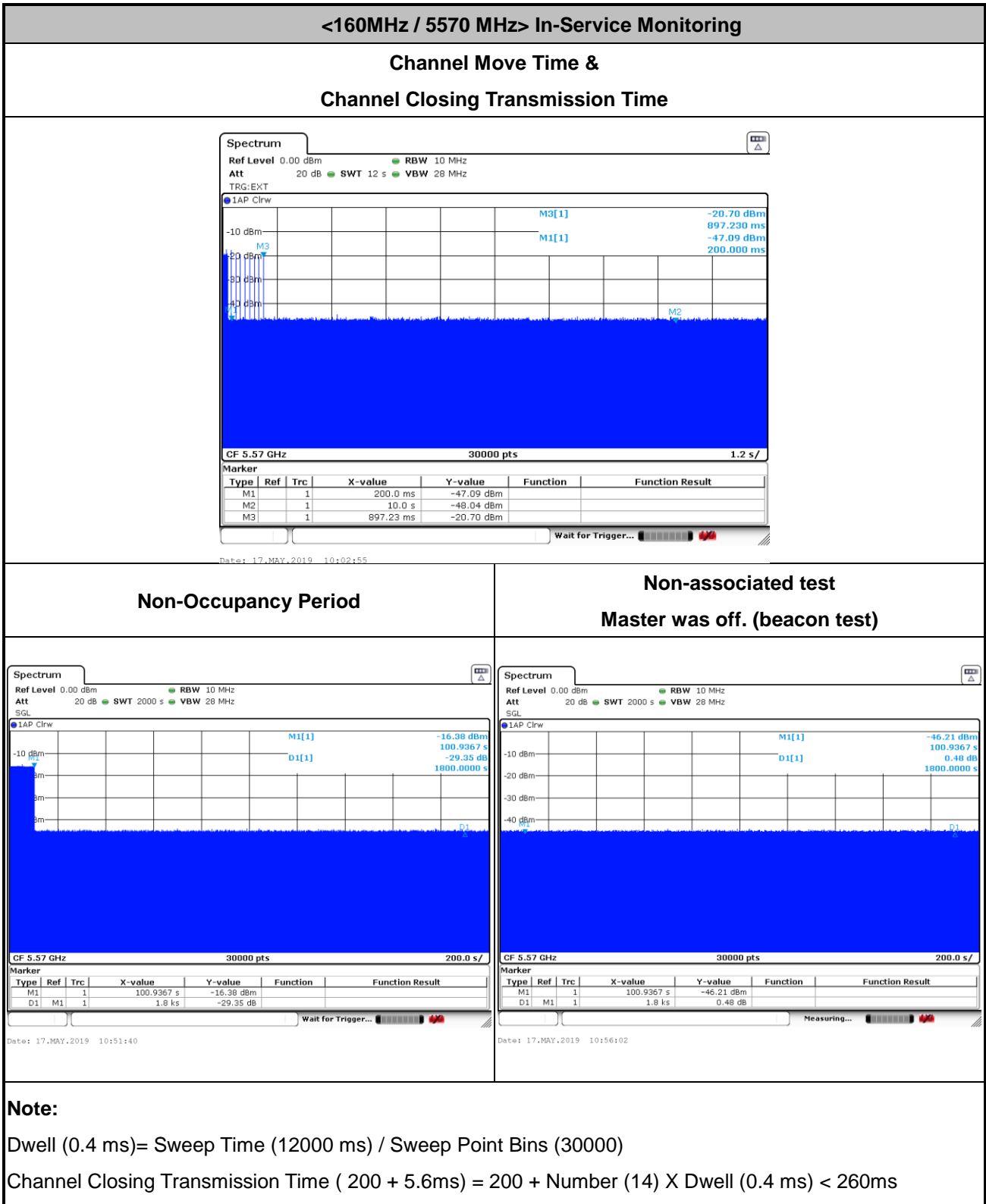
Test Mode :	Client without radar detection	Temperature :	24.5°C
Test Engineer :	Shuai Qian	Relative Humidity :	46%

BW / Channel	Test Item	Test Result	Limit	Pass/Fail
160MHz / 5570 MHz	Channel Move Time	0.89723s	< 10s	Pass
	Channel Closing Transmission Time	200ms + 5.6ms	< 260ms	Pass
	Non-Occupancy Period	≥ 30	≥ 30 min	Pass

Note: The Channel Closing Transmission Time is comprised of 200 milliseconds starting at the beginning of the Channel Move Time plus any additional intermittent control signals required to facilitate a Channel move (an aggregate of 60 milliseconds) during the remainder of the 10 seconds period. The aggregate duration of control signals will not count quiet periods in between transmissions.

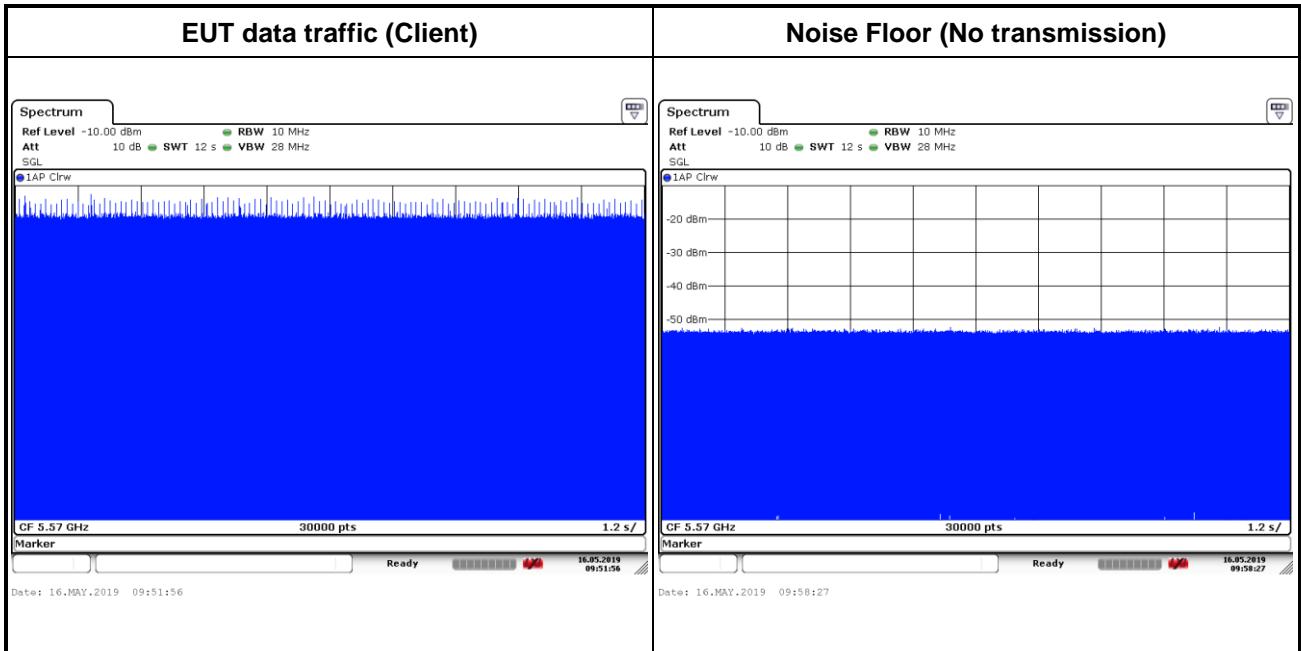


3.2.6 Channel Move Time, Channel Closing Transmission Time and Non-Occupancy Period for Client Beacon Test Plots





3.2.7 Data Traffic and Noise Floor Plots





4 List of Measuring Equipment

Instrument	Manufacturer	Model No.	Serial No.	Characteristics	Calibration Date	Test Date	Due Date	Remark
Signal Analyzer	R&S	FSV7	101473	10Hz~7GHz	Dec. 22, 2018	May 15, 2019~ May 19, 2019	Dec. 21, 2019	DFS (DFS01-SZ)
MXG-B RF Vector Signal Generator	Keysight	N5182B	MY5620042 4	9kHz~6GHz	Dec. 22, 2018	May 15, 2019~ May 19, 2019	Dec. 21, 2019	DFS (DFS01-SZ)
Horn Antenna	BEIJING XIBAO	XB-WDB-1-18	040504	1GHz~18GHz	Oct. 18, 2018	May 15, 2019~ May 19, 2019	Oct. 17, 2019	DFS (DFS01-SZ)
Horn Antenna	BEIJING XIBAO	XB-WDB-1-18	040506	1GHz~18GHz	Oct. 18, 2018	May 15, 2019~ May 19, 2019	Oct. 17, 2019	DFS (DFS01-SZ)