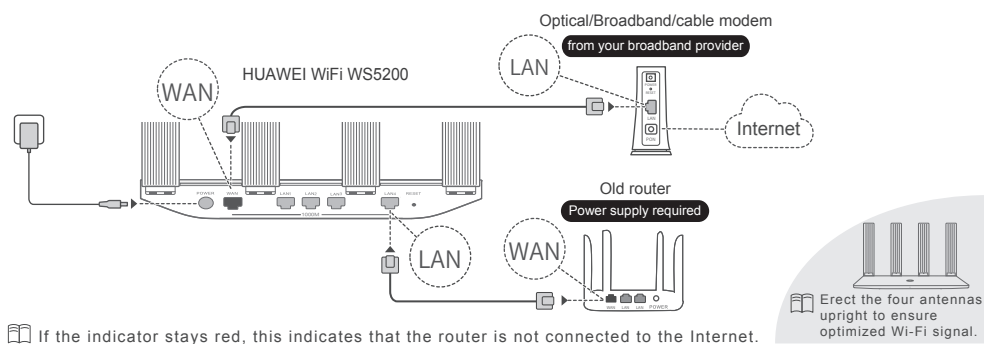


HUAWEI WiFi WS5200 Quick Start Guide

You have forgotten your broadband account and password (obtain from your old router)

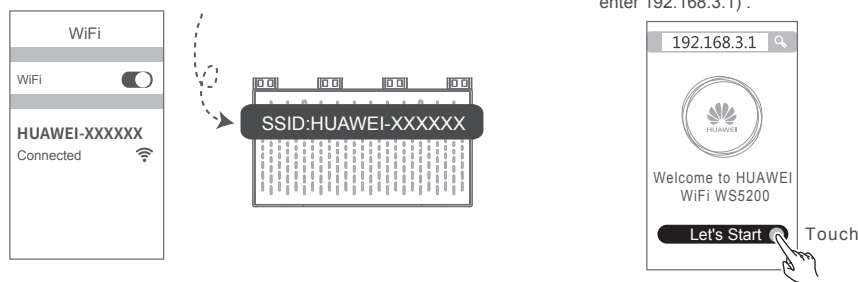
You know your broadband account and password (connect directly)

Step 1: Connecting the cables

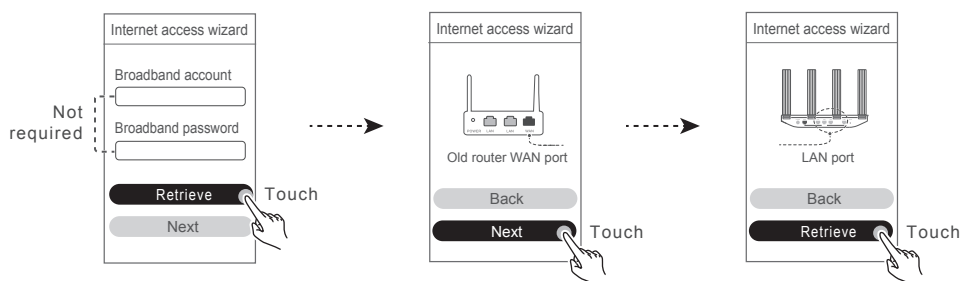


Step 2: Configuring the network settings

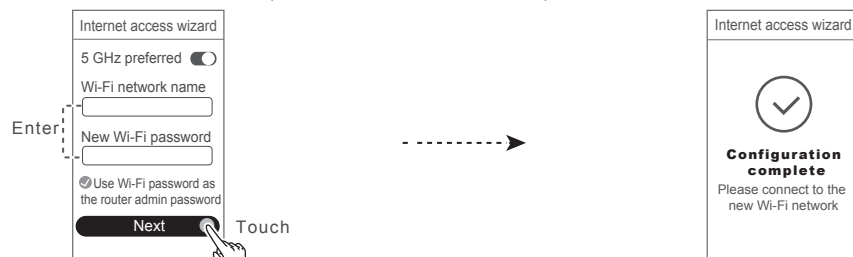
1. Connect your mobile phone or computer to the new router's Wi-Fi network (No password). Check for the Wi-Fi name on the bottom of the router.
2. Open the browser, you will be automatically redirected. (If the page is not displayed automatically, enter 192.168.3.1).



3. Obtain the broadband account and password from the old router. If your broadband provider has not provided you with a broadband account, skip to the next step.

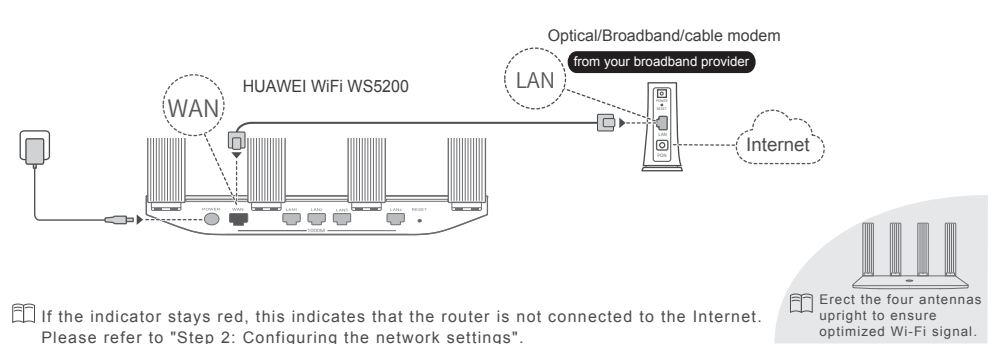


4. Set new Wi-Fi and admin password. You can use the Wi-Fi password as the router admin password.



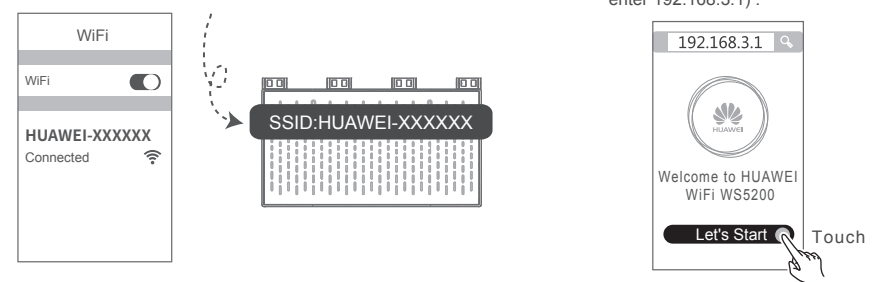
Enable 5 GHz preferred: Priority usage of 5 GHz Wi-Fi band over 2.4 GHz band when signal strength is equal to increase connection speeds.

Step 1: Connecting the cables

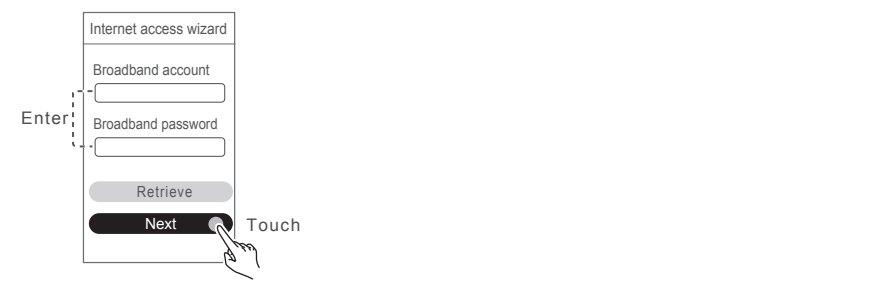


Step 2: Configuring the network settings

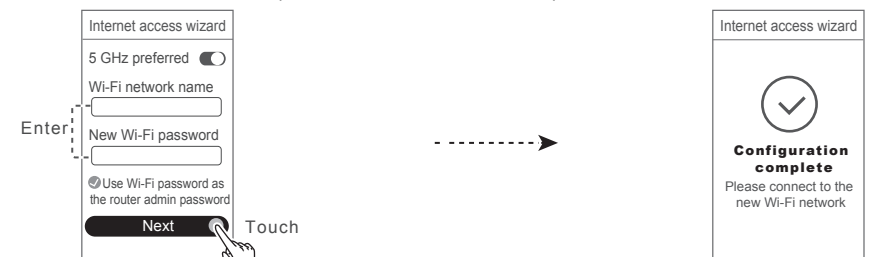
1. Connect your mobile phone or computer to the router's Wi-Fi network (No password). Check for the Wi-Fi name on the bottom of the router.
2. Open the browser, you will be automatically redirected. (If the page is not displayed automatically, enter 192.168.3.1).



3. Enter your broadband account and password. If your broadband provider has not provided you with a broadband account, skip to the next step.



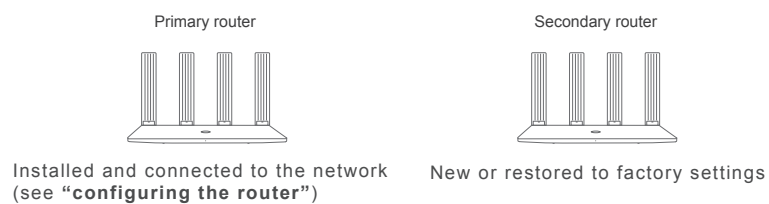
4. Set new Wi-Fi and admin password. You can use the Wi-Fi password as the router admin password.



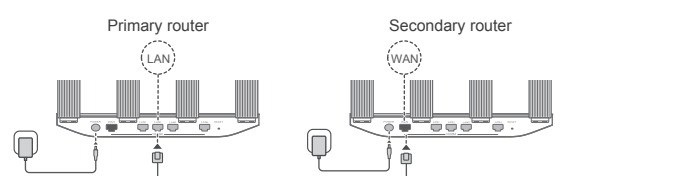
* Extending the Wi-Fi Network with another Huawei Router (Optional)

You may refer to either of the following methods to pair and connect multiple Huawei routers (with the H or Hi button), ensuring that all rooms are covered by Wi-Fi.

Prepare two routers



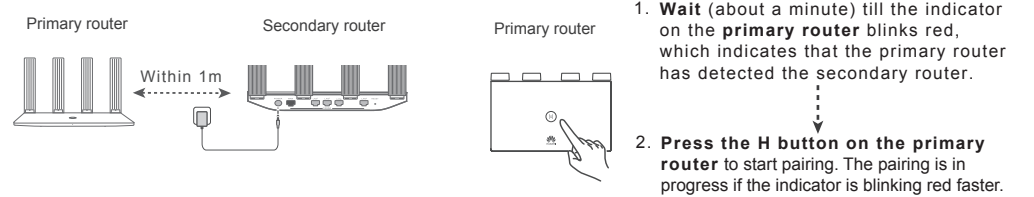
Method 1: Wired networking (recommended)



After the networking is completed automatically, the indicator on the secondary router will turn steady green. Use the same Wi-Fi name and password as that for the primary router to connect to the network.

Method 2: Wireless networking

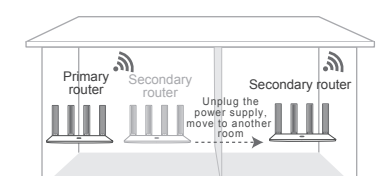
1. Place the secondary router within 1m of the primary router and connect it to the power supply.
2. Press the H button on the primary router to pair with the secondary router.



3. Wait till the indicator on the secondary router turns steady green.
4. Move the secondary router to another room.

The pairing is successful if the indicator on the secondary router turns steady green. You can visit the internet by entering the same Wi-Fi name and password as that for the primary router.

About half a minute later, the indicator will turn steady green.



To receive better Wi-Fi connection, only one wall in-between the two routers is recommended.

Manage the router with our mobile app



Scan the QR code, or search "HUAWEI SmartHome" in an app market. You can use HUAWEI SmartHome app to manage users, set timer and guest Wi-Fi, and control your router.

