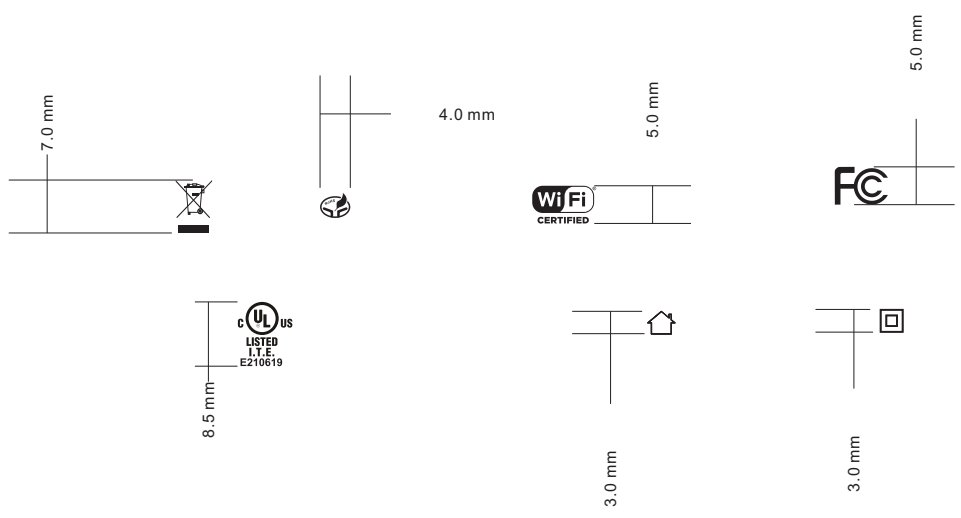
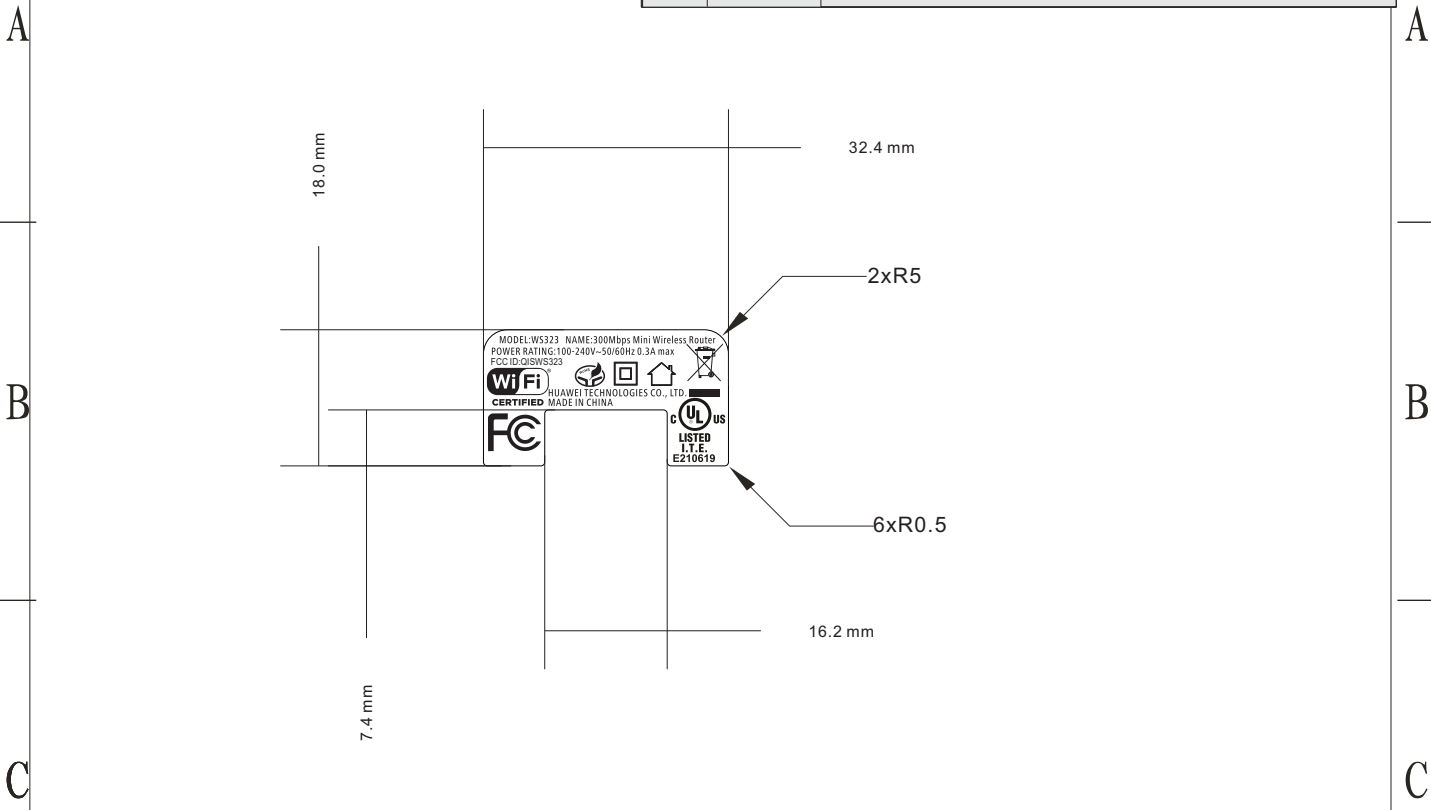


1 2 3 4

REV	ECA NO.	DESCRIPTION



■ Pantone Black C

物料底纸必须满足打印要求
红色框中内容由产线打印

NOTE :

- 1.Make the film according to the drawing.
- 2.The color of silk-screen characters is PANTONE Black C(see the sample colors).
- 3.The silk-screen should be clear ,without burrs,and the dimension should be accurate.

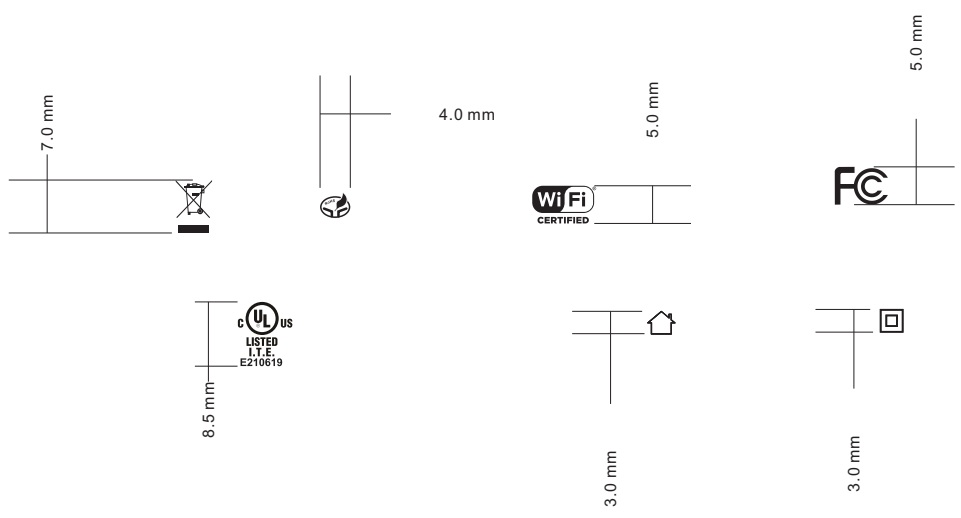
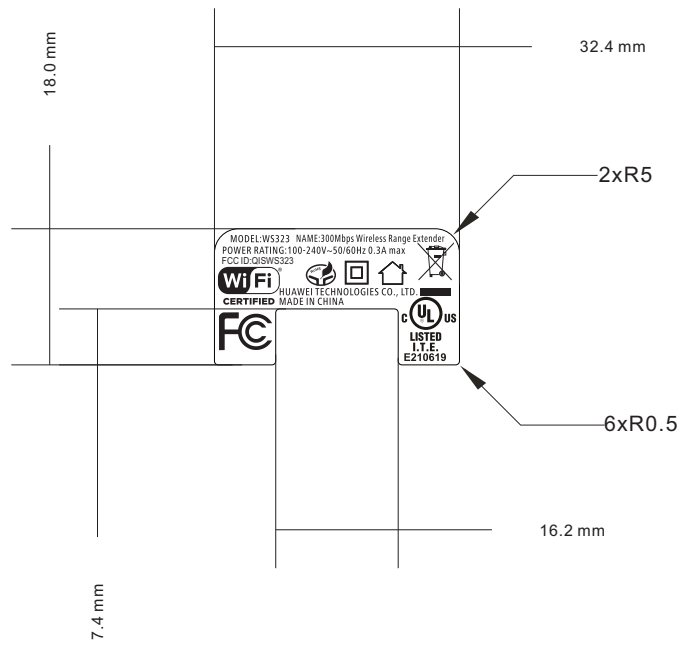
RELEASE LEVEL: [] RELEASED []
FILE NAME: DKBA8.807.6589

.X	0.2		HUAWEI TECHNOLOGIES Co.LTD		TITLE: WS323产品铭牌标签_美规	
.XX			DRAW: GEYAHUI	DATE: 2013-01-17	UNITS: mm	DWG NO: DKBA8.807.6589
.XXX		ANG	CHKD: YANGYINGZHI	DATE: 2013-01-17	FINISH:	PART NO: 96651029
THESE DRAWINGS AND SPECIFICATION ARE THE PROPERTY OF HUAWEI TECH Co.LTD AND SHALL NOT BE REPRODUCED COPIED OR USED IN ANY MANNER WITHOUT THE PRIOR WRITTEN CONSENT OF HUIWEI TECH Co.LTD.			STAD: LUOXUANYU	DATE: 2013-01-17	MASS(Kg):	
			APPD: ZHONGGANG	DATE: 2013-01-17	SCALE: 1:1	
			PRODUCT: WS323	SHEET: 1 OF 1	MAT'L: PET哑白	

1 2 3 4

A4

REV	ECA NO.	DESCRIPTION



■ Pantone Black C

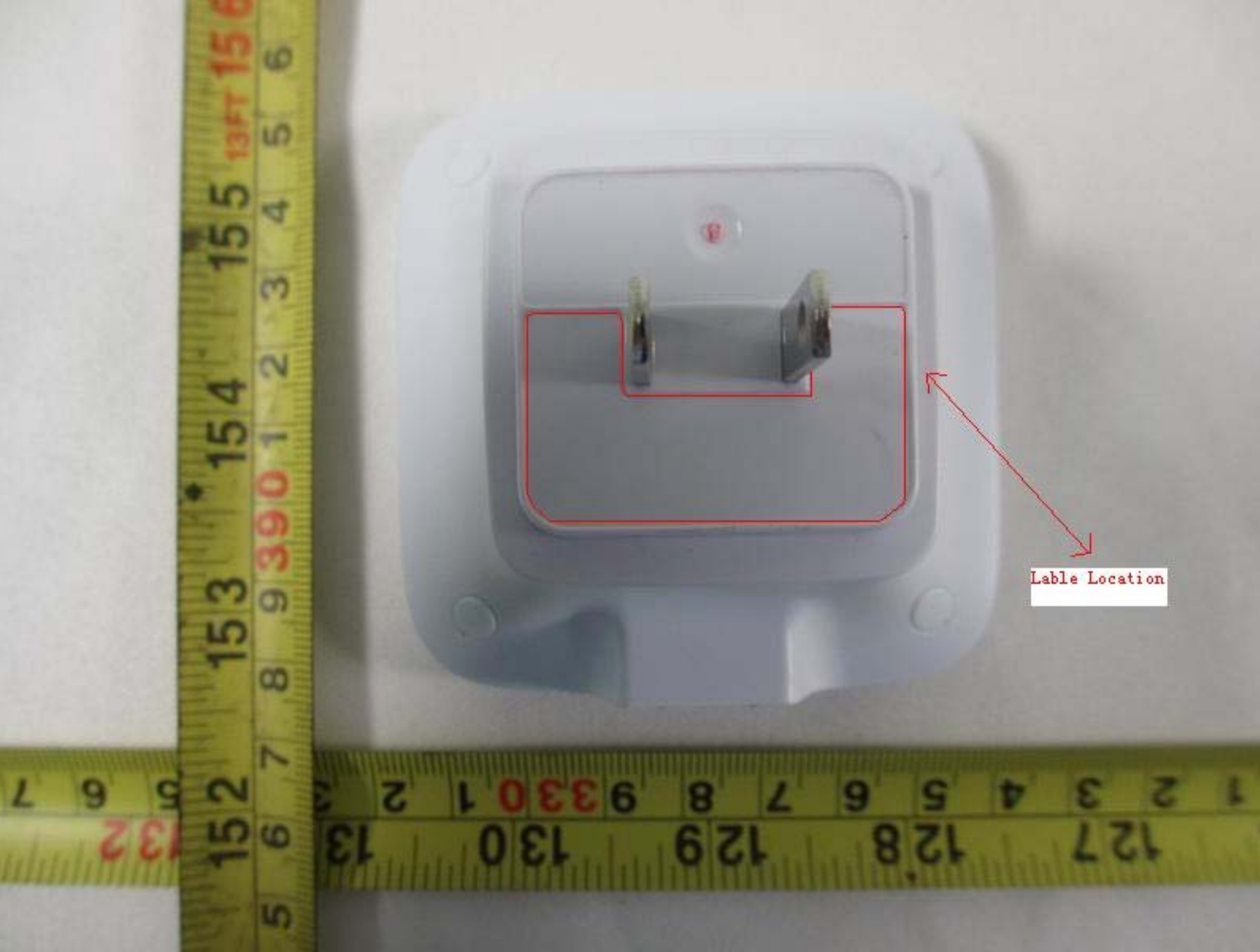
物料底纸必须满足打印要求
红色框中内容由产线打印

NOTE :

1. Make the film according to the drawing.
2. The color of silk-screen characters is PANTONE Black C (see the sample colors).
3. The silk-screen should be clear, without burrs, and the dimension should be accurate.

×	0.2		HUAWEI TECHNOLOGIES Co.LTD		TITLE: WS323产品铭牌标签_美规	
.XX			DRAW: GEYAHUI	DATE: 2013-01-17	UNITS: mm	DWG NO: DKBA8.807.6667
.XXX		ANG	CHKD: YANGYINGZHI	DATE: 2013-01-17	FINISH:	PART NO: 96651202
THESE DRAWINGS AND SPECIFICATION ARE THE PROPERTY OF HUAWEI TECH Co.LTD AND SHALL NOT BE REPRODUCED COPIED OR USED IN ANY MANNER WITHOUT THE PRIOR WRITTEN CONSENT OF HUIWEI TECH Co.LTD.			STAD: LUOXUANYU	DATE: 2013-01-17	MASS(Kg):	
			APPD: ZHONGGANG	DATE: 2013-01-17	SCALE: 1:1	
			PRODUCT: WS323		SHEET: 1 OF 1	MAT'L: PET哑白

RELEASE LEVEL: [] RELEASED []
FILE NAME: DKBA8.807.6667



Lable Location