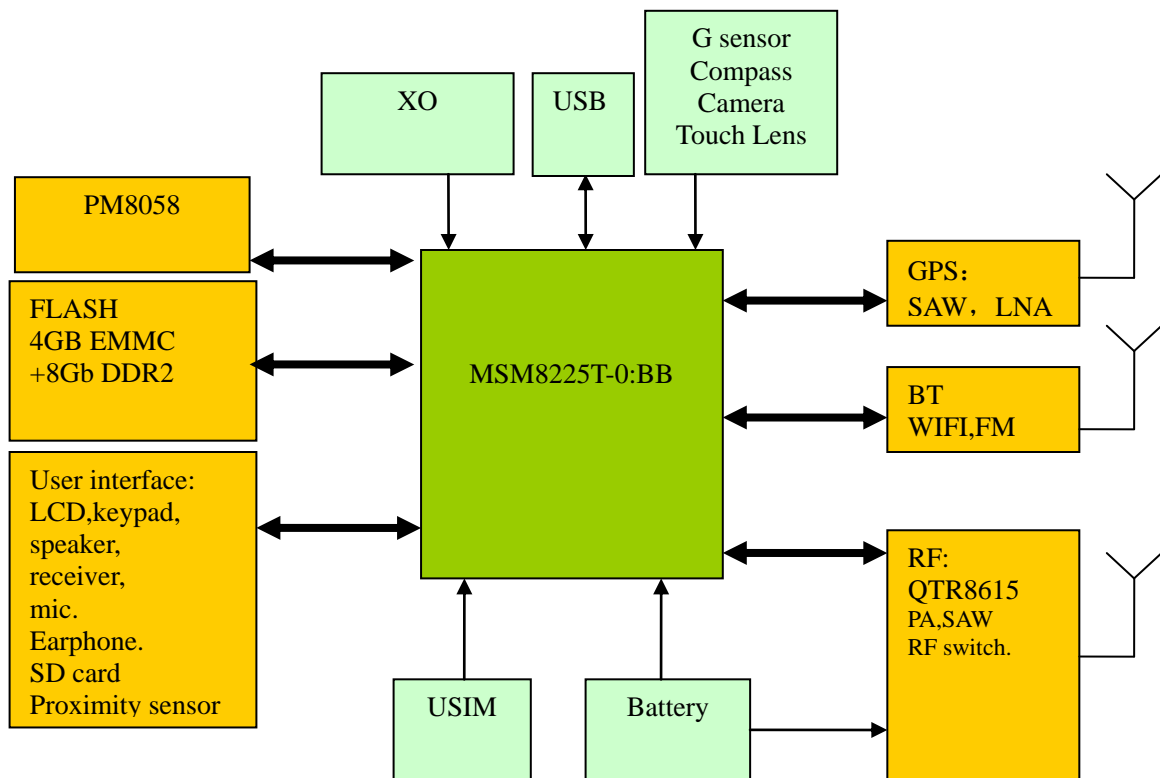




HUAWEI U8730 Block Diagram

The U8730 Mobile Phone has a compact and highly integrated structure. It consists of Man-Set interface Subsystem, MSM Subsystem, Power Manager Subsystem and RF Subsystem. The functional structure is shown as follows:



MSM8225T-0: Mobile Station Modem IC
PM8058: Power Manager IC
QTR8615: Radio Frequency Transceiver
BCM4330: Bluetooth/WIFI/FM IC
XO: 19.2M Clock