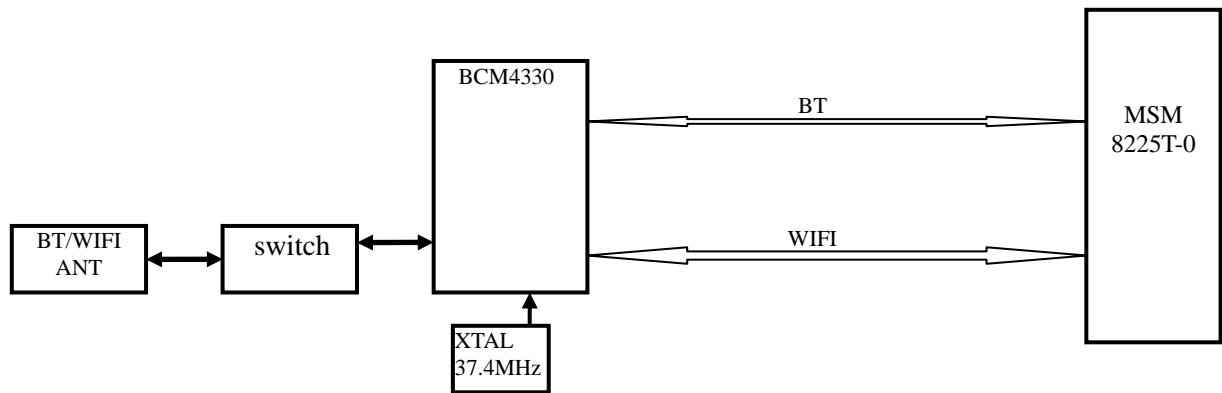




## HUAWEI U8730 Bluetooth Block Diagram

The U8730 Mobile Phone has a compact and highly integrated structure. It also consists of Bluetooth chip to communicate with other devices with Bluetooth module.



MSM8255T-0: QUALCOMM SINGLE CHIP

BCM4330: Bluetooth/WIFI/FM IC