



中国认可
国际互认
检测
TESTING
CNAS L0310



FCC RF Test Report

Product Name: Smart Phone

Model Number: TRT-LX3

Report No: SYBH(Z-RF)018022017-2002

FCC ID: QISTR-T-LX3

Reliability Laboratory of Huawei Technologies Co.

(Global Compliance and Testing Center of Huawei Technologies Co., Ltd)

Administration Building, Headquarters of Huawei Technologies Co., Ltd., Bantian, Longgang District,
Shenzhen, 518129, P.R.C

Tel: +86 755 28780808

Fax: +86 755 89652518



Notice

1. The laboratory has Passed the accreditation by China National Accreditation Service for Conformity Assessment (CNAS). The accreditation number is L0310.
2. The laboratory has Passed the accreditation by The American Association for Laboratory Accreditation (A2LA). The accreditation number is 2174.01.
3. The laboratory has been listed by the US Federal Communications Commission to perform electromagnetic emission measurements. The site recognition number is 97456.
4. The laboratory has been listed by Industry Canada to perform electromagnetic emission measurements. The recognition numbers of test site are 6369A-1.
5. The test report is invalid if not marked with the signatures of the persons responsible for preparing and approving the test report.
6. The test report is invalid if there is any evidence of erasure and/or falsification.
7. The test report is only valid for the test samples.
8. Content of the test report, in part or in full, cannot be used for publicity and/or promotional purposes without prior written approval from the laboratory.
9. The laboratory (Reliability Lab of Huawei Technologies Co., Ltd) is also named as “Global Compliance and Testing Center of Huawei Technologies Co., Ltd”, the both names have coexisted since 2009.



Applicant: Huawei Technologies Co., Ltd.
Address: Administration Building, Headquarters of Huawei Technologies Co., Ltd.,
 Bantian, Longgang District, Shenzhen, 518129, P.R.C

Date of Receipt Sample: 2017-02-25
Start Date of Test: 2017-02-25
End Date of Test: 2017-03-15

Test Result: Pass

| | | | |
|-------------------------------------|------------|-------------|--------------------|
| Approved by Senior Engineer: | 2017-03-16 | Roger Zhang | <i>Roger Zhang</i> |
| | Date | Name | Signature |

| | | | |
|---------------------|------------|------------|-------------------|
| Prepared by: | 2017-03-15 | zhoulingbo | <i>zhoulingbo</i> |
| | Date | Name | Signature |



CONTENT

1 General Information.....5
1.1 Applied Standard.....5
1.2 Test Location5
1.3 Test Environment Condition.....5
2 Test Summary6
3 Description of the Equipment under Test (EUT)7
3.1 General Description7
3.2 EUT Identity7
3.3 Technical Description.....8
4 General Test Conditions / Configurations9
4.1 Test Modes9
4.2 EUT Configurations.....9
4.3 Test Environments10
4.4 Antenna requirements.....10
4.5 Description of tests.....11
4.6 Test Setups.....13
4.7 Test Conditions16
5 Main Test Instruments18
6 Appendixes.....19



1 General Information

1.1 Applied Standard

Applied Rules: 47 CFR FCC Part 2, Subpart J 2014
47 CFR FCC Part 15, Subpart C 2014

Test Method: FCC KDB 558074 D01 DTS Meas Guidance v03r04
ANSI C63.10-2013, American National Standard for Testing Unlicensed
Wireless Devices.

1.2 Test Location

Test Location: Reliability Laboratory of Huawei Technologies Co., Ltd.
Address: Administration Building, Headquarters of Huawei Technologies Co., Ltd.,
Bantian, Longgang District, Shenzhen, 518129, P.R.C

1.3 Test Environment Condition

Ambient Temperature: 19.5to 25 °C
Ambient Relative Humidity: 40 to 55 %
Atmospheric Pressure: Not applicable



2 Test Summary

| Test Item | FCC Part No. | Requirements | Test Result | Verdict |
|--|---------------------------------|---|-------------|---------|
| DTS (6 dB) Bandwidth | 15.247(a)(2) | ≥ 500 kHz. | Appendix A | Pass |
| Occupied Bandwidth | --- | --- | Appendix B | Pass |
| Duty Cycle | KDB 558074 (6.0) | No limit | Appendix C | Pass |
| Maximum Conducted Average Output Power | 15.247(b)(3) | For directional gain: < 30 dBm – (G[dBi] – 6 [dB]), Average; Otherwise: < 30 dBm, Average. | Appendix D | Pass |
| Maximum Power Spectral Density Level | 15.247(e) | For directional gain: < 8 dBm/3 kHz – (G[dBi] – 6 [dB]), Average. Otherwise: < 8 dBm/3 kHz, Average. | Appendix E | Pass |
| Band Edges Compliance | 15.247(d) | < -30 dBm/100 kHz if total average power ≤ power limit. | Appendix F | Pass |
| Unwanted Emissions into Non-Restricted Frequency Bands | | | Appendix G | Pass |
| Unwanted Emissions into Restricted Frequency Bands (Radiated) | 15.247(d) 15.209 (NOTE 1) | FCC Part 15.209 field strength limit; | Appendix H | Pass |
| AC Power Line Conducted Emissions | 15.207 | FCC Part 15.207 conducted limit; | Appendix I | Pass |
| NOTE 1: According to KDB 558074, antenna-port conducted measurements are acceptable as an alternative to radiated measurements for demonstrating compliance to the limits in the restricted frequency bands. If conducted measurements are performed, then proper impedance matching must be ensured and an additional radiated test for cabinet/case emissions will also be required. | | | | |



3 Description of the Equipment under Test (EUT)

3.1 General Description

TRT-LX3 is subscriber equipment in the GSM/UMTS/LTE system. The GSM frequency band includes GSM850 and GSM900 and DCS1800 and PCS1900. The UMTS frequency band is band I/II/IV/V/VIII. The LTE frequency band is band II/IV/V/VII/XXVIII. The Mobile Phone implements such functions as RF signal receiving/transmitting, LTE/UMTS and GSM/GPRS/EDGE protocol processing, voice, video MMS service, GPS and WIFI etc. Externally it provides micro SD card interface, earphone port (to provide voice service) and USIM card interface. It also provides bluetooth module to synchronize data between a PC and the phone, or to use the built-in modem of the phone to access the Internet with a PC, or to exchange data with other bluetooth devices.

NOTE: Only 2.4G WIFI test data included in this report.

3.2 EUT Identity

NOTE: Unless otherwise noted in the report, the functional boards installed in the units shall be selected from the below list, but not means all the functional boards listed below shall be installed in one unit.

3.2.1 Board

| Board | | |
|-------------|------------------|------------------|
| Description | Hardware Version | Software Version |
| Main Board | HL1TRTM | TRT-LX3C900B061 |

3.2.2 Sub-Assembly

| Sub-Assembly | | | |
|-------------------|--------------|-------------------------------|--|
| Sub-Assembly Name | Model | Manufacturer | Description |
| Adapter | HW-050200E01 | Huawei Technologies Co., Ltd. | Input Voltage: ~100-240V Output Voltage: 5V/2A Rated Power |
| Adapter | HW-050200B01 | Huawei Technologies Co., Ltd. | Input Voltage: ~100-240V Output Voltage: 5V/2A Rated Power |
| Adapter | HW-050200A01 | Huawei Technologies Co., Ltd. | I Input Voltage: ~100-240V Output Voltage: 5V/2A Rated Power |
| Battery | HB406689ECW | Huawei Technologies Co., Ltd. | Rated capacity: 3900mAh Nominal Voltage: +3.82V |



3.3 Technical Description

| Characteristics | Description | | |
|---------------------------------|--|--|---------------------------------|
| IEEE 802.11 WLAN Mode Supported | <input checked="" type="checkbox"/> 802.11b (20 MHz channel bandwidth), <input checked="" type="checkbox"/> 802.11g (20 MHz channel bandwidth) <input checked="" type="checkbox"/> 802.11n (20 MHz channel bandwidth), <input checked="" type="checkbox"/> 802.11n (40 MHz channel bandwidth) | | |
| TX/RX Operating Range | 2412-2462 MHz band | $f_c = 2407 \text{ MHz} + N * 5 \text{ MHz}$, where: <ul style="list-style-type: none"> - f_c = "Operating Frequency" in MHz, - N = "Channel Number" with the range from 1 to 11 for the 20 MHz channel bandwidth, or 3 to 9 for the 40 MHz channel bandwidth | |
| Data Rate | 802.11b | 1 Mbps, 2 Mbps, 5.5 Mbps, 11 Mbps | |
| | 802.11g | 6 Mbps, 9 Mbps, 12 Mbps, 18 Mbps, 24 Mbps, 36 Mbps, 48 Mbps, 54 Mbps | |
| | 802.11n (SISO) | MCS 0 to MCS 7 | |
| Modulation Type | DBPSK/DQPSK/CCK (DSSS), BPSK/QPSK/16QAM/64QAM (OFDM). | | |
| Emission Designator | 10M1G7D (for 802.11b mode), 16M4G7D (for 802.11g mod), 17M7G7D (for 802.11n20 mode), 35M6G7D (for 802.11n40 mode) | | |
| TX Power Control | <input type="checkbox"/> Supported, <input checked="" type="checkbox"/> Not Supported | | |
| Standby Mode | <input type="checkbox"/> Supported, <input checked="" type="checkbox"/> Not Supported | | |
| Equipment Type | <input type="checkbox"/> Stand-alone equipment, <input type="checkbox"/> Plug-in radio device, <input checked="" type="checkbox"/> Combined equipment | | |
| Antenna | Description | Isotropic Antenna | |
| | Type | <input type="checkbox"/> External, <input checked="" type="checkbox"/> Integrated | |
| | Ports | <input checked="" type="checkbox"/> Ant 1, <input type="checkbox"/> Ant 2, <input type="checkbox"/> Ant 3 | |
| | Smart System | <input checked="" type="checkbox"/> SISO (for 802.11b/g/n), <input type="checkbox"/> Diversity (for 802.11b/g) : Tx & Rx | |
| | Gain | ANT1:-2 dBi (per antenna port, max.) | |
| | Remark | When the EUT is put into service, the practical maximum antenna gain should NOT exceed the value as described above. | |
| Power Supply | Type | <input checked="" type="checkbox"/> AC/DC Adapter | <input type="checkbox"/> PoE: |
| | | | <input type="checkbox"/> Other: |



4 General Test Conditions / Configurations

4.1 Test Modes

NOTE: Worst cases for each IEEE 802.11 mode are selected to perform tests.

| Test Mode | Test Modes Description |
|-----------|--|
| 11B | IEEE 802.11b with data rate of 1 Mbps using SISO mode. |
| 11G | IEEE 802.11g with data rate of 6 Mbps using SISO mode. |
| 11N20 | IEEE 802.11n with data rate of MCS0 and bandwidth of 20 MHz using SISO mode. |
| 11N40 | IEEE 802.11n with data rate of MCS0 and bandwidth of 40 MHz using SISO mode. |

4.2 EUT Configurations

4.2.1 General Configurations

| Configuration | Description |
|---------------------|--|
| Test Antenna Ports | Until otherwise specified, <ul style="list-style-type: none"> - All TX tests are performed at all TX antenna ports of the EUT, and - All RX tests are performed at all RX antenna ports of the EUT. |
| Multiple RF Sources | Other than the tested RF source of the EUT, other RF source(s) are disabled or shutdown during measurements. |

4.2.2 Customized Configurations

| Test Mode | RF Ch. | TX Freq. [MHz] | Ch. BW [MHz] | Power Conf., per Port | Duty cycle [%] |
|-----------|--------|----------------------|--------------|-----------------------|----------------|
| 11B | L | Ch No. 1 / 2412 MHz | 20 | 16 | 98 |
| 11B | M | Ch No. 6 / 2437 MHz | 20 | 16 | 98 |
| 11B | H | Ch No. 11 / 2462 MHz | 20 | 16 | 98 |
| 11G | L | Ch No. 1 / 2412 MHz | 20 | 14 | 87 |
| 11G | M | Ch No. 6 / 2437 MHz | 20 | 14 | 87 |
| 11G | H | Ch No. 11 / 2462 MHz | 20 | 14 | 87 |
| 11N20 | L | Ch No. 1 / 2412 MHz | 20 | 12 | 87 |
| 11N20 | M | Ch No. 6 / 2437 MHz | 20 | 12 | 87 |
| 11N20 | H | Ch No. 11 / 2462 MHz | 20 | 12 | 87 |
| 11N40 | L | Ch No. 3 / 2422 MHz | 40 | 12 | 76 |
| 11N40 | M | Ch No. 6 / 2437 MHz | 40 | 12 | 76 |
| 11N40 | H | Ch No. 9 / 2452 MHz | 40 | 12 | 76 |



4.3 Test Environments

NOTE: The values used in the test report may be stringent than the declared.

| Environment Parameter | Selected Values During Tests | | |
|-----------------------|------------------------------|---------|-------------------|
| | Temperature | Voltage | Relative Humidity |
| NTNV | Ambient | 3.8VDC | Ambient |

4.4 Antenna requirements

Excerpt from §15.203 of the FCC Rules/Regulations:

“An intentional radiator antenna shall be designed to ensure that no antenna other than that furnished by the responsible party can be used with the device. The use of a permanently attached antenna or of an antenna that uses a unique coupling to the intentional radiator shall be considered sufficient to comply with the provisions of this section.”

The antennas of the **TRT-LX3** are **permanently attached**.

There are no provisions for connection to an external antenna.

Conclusion:

The **EUT FCC ID: QISTR-T-LX3** unit complies with the requirement of §15.203.

Ch. Frequency (MHz)

| Ch. | Frequency (MHz) |
|-----------|-----------------|
| 01 | 2412 |
| . | . |
| . | . |
| 06 | 2437 |
| . | . |
| . | . |
| 11 | 2462 |

Frequency/ Channel Operations

4.5 Description of tests

4.5.1 Bandwidth measurement

- (a) Connect EUT test port to spectrum analyzer.
- (b) Set the EUT to transmit maximum output power at 2.4GHz, then set the measured frequency number and test the bandwidth with spectrum analyzer.

4.5.2 Duty Cycle measurement

- (a) Connect EUT test port to spectrum analyzer.
- (b) Set the EUT to transmit maximum output power at 2.4GHz, then set the measured frequency number and test the Duty Cycle with spectrum analyzer.

4.5.3 Maximum Conducted Average Output Power

- (a) Connect EUT test port to spectrum analyzer.
- (b) Set the EUT to transmit maximum output power at 2.4GHz.
- (c) Then set the EUT to transmit at high, middle and low frequency and measure the conducted output power separately.

4.5.4 Band edge spurious emission

- (a) Connect EUT test port to spectrum analyzer
- (b) Set the EUT to transmit maximum output power at 2.4GHz.
- (c) Then set the EUT to transmit at high, low frequency and measure the conducted band edge spurious separately.

4.5.5 Conducted RF spurious

- (a) Connect EUT test port to spectrum analyzer
- (b) Set the EUT to transmit maximum output power at 2.4GHz.
- (c) Then set the EUT to transmit at high, middle and low frequency and measure the conducted spurious separately.

4.5.6 Power spectral density

- (a) Connect EUT test port to spectrum analyzer
- (b) Set the EUT to transmit maximum output power at 2.4GHz.
- (c) Then set the EUT to transmit at high, middle and low frequency and measure the conducted power spectral density.

4.5.7 Radiated spurious emission & spurious in restricted band

The test site semi-anechoic chamber has met the requirement of NSA tolerance 4dB according to the standards: ANSI C63.10 (2013). The EUT was set-up on insulator 80cm above the Ground Plane. The set-up and test methods were according to ANSI C63.10:2013. The Radiated Disturbance measurements were made using a Rohde and Schwarz Test Receiver and control software.

A preliminary scan and a final scan of the emissions were made by using test script of software; the emissions were measured using a Quasi-Peak Detector below 1GHz, Peak Detector and AV Detector

above 1GHz. The maximal emission value was acquired by adjusting the antenna height, polarisation and turntable azimuth in accordance with the software setup. Normally, the height range of antenna was 1m to 4m, and the azimuth range of turntable was 0° to 360°. The receive antenna has two polarizations V and H.

A portable or small unlicensed wireless device shall be placed on a non-metallic test fixture or other nonmetallic support during testing. The supporting fixture shall permit orientation of the EUT in each of three orthogonal (x, y, z) axis positions such that emissions from the EUT are maximized.

The EUT communicates with the BTS simulator through Air interface. The EUT operated on the typical channel.

Measurement bandwidth: 30 MHz – 1000 MHz: 120 kHz

Measurement bandwidth: 1000 MHz – 10th Carrier Frequency: 1 MHz

4.5.8 Conducted Emission at Power Port

The Table-top EUT was placed upon a non-metallic table 0.8 m above the horizontal metal reference ground plane. EUT was connected to LISN and LISN was connected to reference Ground Plane. EUT was 80cm from LISN. The set-up and test methods were according to ANSI C63.10: 2013.

Conducted Disturbance at AC Port measurements were undertaken on the L and N Lines. The emissions were measured using a Quasi-Peak Detector and Average Detector.

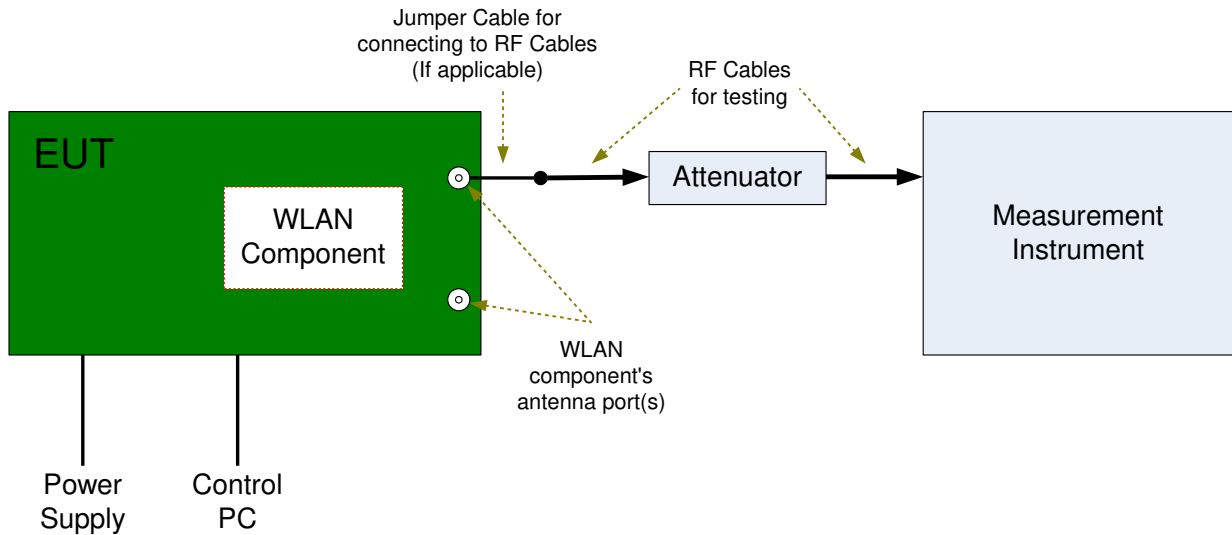
The EUT communicates with the BTS simulator through Air interface, the BTS simulator controls the Wireless Modem to transmit the maximum power which defined in specification of product. The Wireless Modem operated on the typical channel.

Measurement bandwidth (RBW) for 150kHz to 30 MHz: 9 kHz;

4.6 Test Setups

4.6.1 Test Setup 1

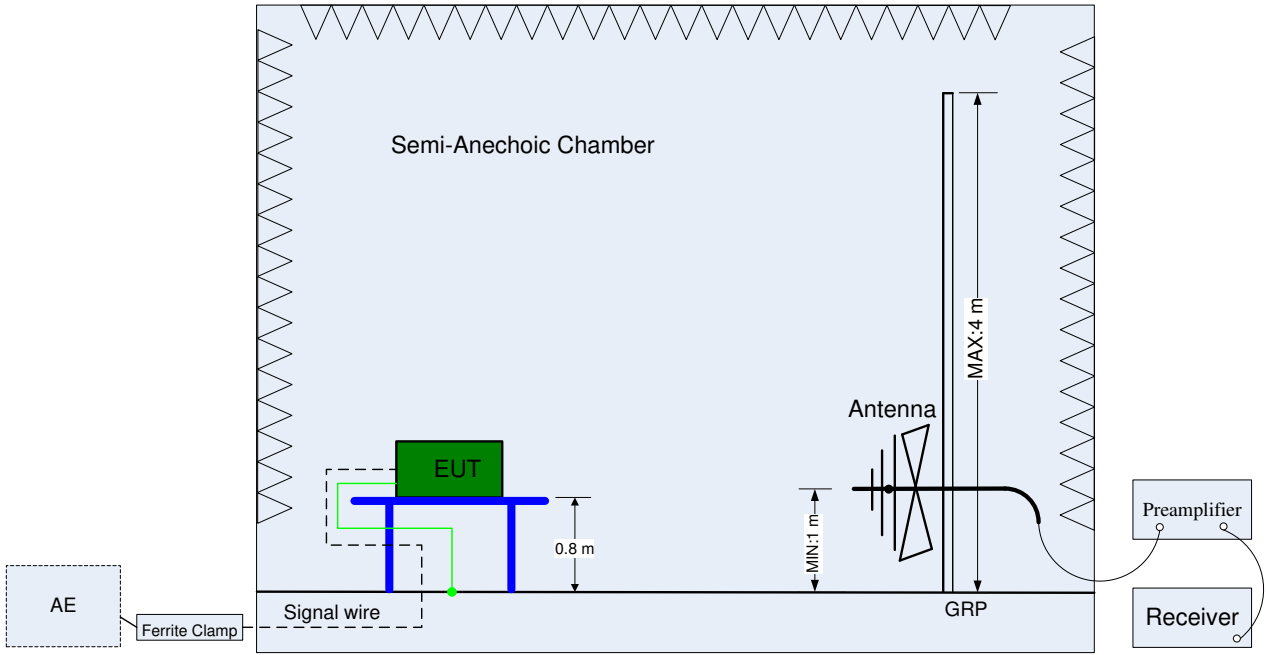
The WLAN component's antenna port(s) of the EUT are connected to the measurement instrument per an appropriate attenuator. The EUT is controlled by PC/software to emit the specified signals for the purpose of measurements.



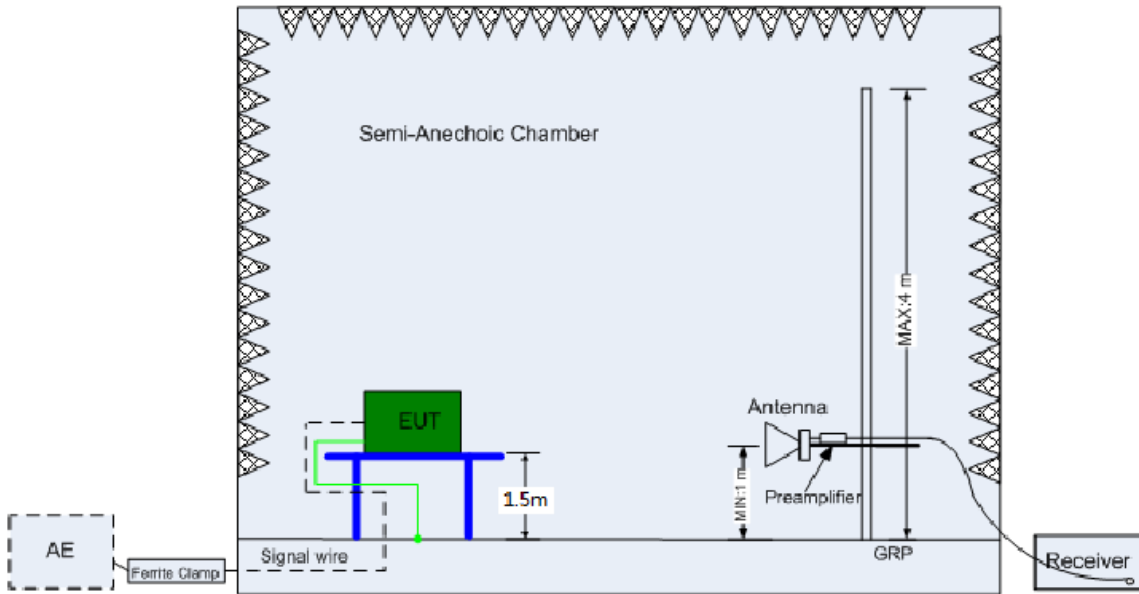
4.6.2 Test Setup 2

The test site semi-anechoic chamber has met the requirement of NSA tolerance 4 dB according to the standards: ANSI C63.4. The test distance is 3m. The setup is according to ANSI C63.4 and CAN/CSA-CEI/IEC CISPR 22.

The maximal emission value is acquired by adjusting the antenna height, polarisation and turntable azimuth. Normally, the height range of antenna is 1 m to 4 m, the azimuth range of turntable is 0° to 360°, and the receive antenna has two polarizations Vertical (V) and Horizontal (H).



(Below 1 GHz)

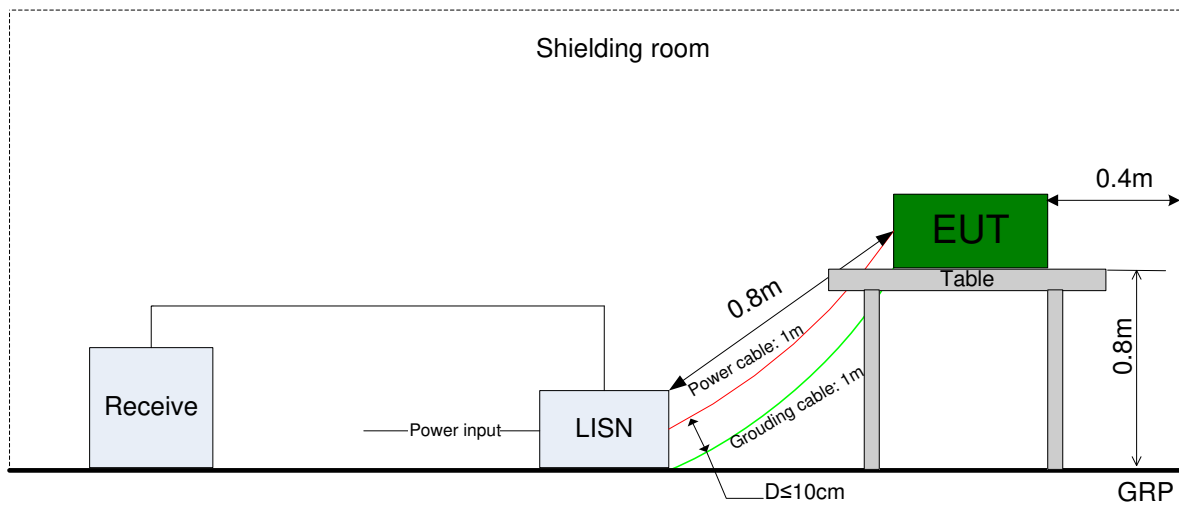


(Above 1 GHz)

4.6.3 Test Setup 3

The mains cable of the EUT (maybe per AC/DC Adapter) must be connected to LISN. The LISN shall be placed 0.8 m from the boundary of EUT and bonded to a ground reference plane for LISN mounted on top of the ground reference plane. This distance is between the closest points of the LISN and the EUT. All other units of the EUT and associated equipment shall be at least 0.8 m from the LISN.

Ground connections, where required for safety purposes, shall be connected to the reference ground point of the LISN and, where not otherwise provided or specified by the manufacturer, shall be of same length as the mains cable and run parallel to the mains connection at a separation distance of not more than 0.1 m.



4.7 Test Conditions

| Test Case | Test Conditions | |
|---|--------------------|--|
| | Configuration | Description |
| DTS (6 dB) Bandwidth | Measurement Method | FCC KDB 558074 §8.1 Option 2. |
| | Test Environment | NTNV |
| | Test Setup | Test Setup 1 |
| | EUT Configuration | 11B_L, 11B_M, 11B_H 11G_L, 11G_M, 11G_H 11N20_L, 11 N20_M, 11 N20_H 11N40_L, 11 N40_M, 11 N40_H |
| Occupied Bandwidth | Measurement Method | FCC KDB 558074 §8.2 Option 2. |
| | Test Environment | NTNV |
| | Test Setup | Test Setup 1 |
| | EUT Configuration | 11B_L, 11B_M, 11B_H 11G_L, 11G_M, 11G_H 11N20_L, 11 N20_M, 11 N20_H 11N40_L, 11 N40_M, 11 N40_H |
| Maximum Conducted Average Output Power | Measurement Method | FCC KDB 558074 §9.2 .2. 4 |
| | Test Environment | NTNV |
| | Test Setup | Test Setup 1 |
| | EUT Configuration | 11B_L, 11B_M, 11B_H 11G_L, 11G_M, 11G_H 11N20_L, 11 N20_M, 11 N20_H 11N40_L, 11 N40_M, 11 N40_H |
| Maximum Power Spectral Density Level | Measurement Method | FCC KDB 558074 §10.1 (peak PSD). |
| | Test Environment | NTNV |
| | Test Setup | Test Setup 1 |
| | EUT Configuration | 11B_L, 11B_M, 11B_H 11G_L, 11G_M, 11G_H 11N20_L, 11 N20_M, 11 N20_H 11N40_L, 11 N40_M, 11 N40_H |
| Band Edges Compliance | Measurement Method | FCC KDB 558074 §13.0. |
| | Test Environment | NTNV |
| | Test Setup | Test Setup 1 |
| | EUT Configuration | 11B_L, 11B_M, 11B_H 11G_L, 11G_M, 11G_H 11N20_L, 11 N20_M, 11 N20_H 11N40_L, 11 N40_M, 11 N40_H |
| Unwanted Emissions into Non-Restricted | Measurement Method | FCC KDB 558074 §11.0 |
| | Test Environment | NTNV |
| | Test Setup | Test Setup 1 |



| Test Case | Test Conditions | |
|---|--------------------|---|
| | Configuration | Description |
| Frequency Bands | EUT Configuration | 11B_L, 11B_M, 11B_H 11G_L, 11G_M, 11G_H 11N20_L, 11 N20_M, 11 N20_H 11N40_L, 11 N40_M, 11 N40_H |
| Unwanted Emissions into Restricted Frequency Bands (Radiated) | Measurement Method | ANSI C63.10; FCC KDB 558074 §12.1, Radiated |
| | Test Environment | NTNV |
| | Test Setup | Test Setup 2 |
| | EUT Placement | <input checked="" type="checkbox"/> Flatwise, <input checked="" type="checkbox"/> Upright, <input checked="" type="checkbox"/> Hung |
| | EUT Configuration | 11B_L, 11B_M, 11B_H 11G_L, 11G_M, 11G_H 11N20_L, 11 N20_M, 11 N20_H 11N40_L, 11 N40_M, 11 N40_H |
| AC Power Line Conducted Emissions | Measurement Method | Part 15.207 |
| | Test Environment | NTNV |
| | Test Setup | Test Setup 3 |
| | EUT Configuration | (Worst Conf.). |

**5 Main Test Instruments**

| Main Test Equipments | | | | | |
|---|--------------|-----------|----------------|------------|------------|
| Equipment Name | Manufacturer | Model | Serial Number | Cal Date | Cal- Due |
| Power supply | KEITHLEY | 2303 | 1342889 | 2016/10/13 | 2017/10/12 |
| Wireless Communication Test set | Agilent | N4010A | MY49081592 | 2016/8/5 | 2017/8/5 |
| Universal Radio Communication Tester | R&S | CMU200 | 123299 | 2016/11/14 | 2017/11/14 |
| Spectrum Analyzer | Agilent | N9020A | MY52090652 | 2016/6/29 | 2017/6/29 |
| Universal Radio Communication Tester | R & S | CMW500 | 126854 | 2016/12/29 | 2017/12/29 |
| Signal Analyzer | R&S | FSQ31 | 200021 | 2016/8/5 | 2017/8/5 |
| Spectrum Analyzer | Agilent | N9030A | MY49431698 | 2016/8/5 | 2017/8/5 |
| Temperature Chamber | WEISS | WKL64 | 56246002940010 | 2016/12/21 | 2017/12/21 |
| Signal generator | Agilent | E8257D | MY49281095 | 2016/8/5 | 2017/8/5 |
| Vector Signal Generator | R&S | SMU200A | 104162 | 2016/8/5 | 2017/8/5 |
| Test receiver | R&S | ESU26 | 100387 | 2016/6/21 | 2017/6/21 |
| Test receiver | R&S | ESCI | 101163 | 2016/11/10 | 2017/11/10 |
| Spectrum analyzer | R&S | FSU3 | 200474 | 2016/5/24 | 2017/5/24 |
| Spectrum analyzer | R&S | FSU43 | 100144 | 2016/6/2 | 2017/6/2 |
| LOOP Antennas(9kHz-30MHz) | R&S | HFH2-Z2 | 100262 | 2015/4/30 | 2017/4/29 |
| LOOP Antennas(9kHz-30MHz) | R&S | HFH2-Z2 | 100263 | 2015/4/30 | 2017/4/29 |
| Trilog Broadband Antenna (30M~3GHz) | SCHWARZBECK | VULB 9163 | 9163-490 | 2015/4/30 | 2017/4/29 |
| Trilog Broadband Antenna (30M~3GHz) | SCHWARZBECK | VULB 9163 | 9163-520 | 2015/4/30 | 2017/4/29 |
| Double-Ridged Waveguide Horn Antenna (1G~18GHz) | R&S | HF907 | 100304 | 2015/4/30 | 2017/4/29 |
| double ridged horn antenna (0.8G-18GHz) | R&S | HF907 | 100305 | 2015/4/30 | 2017/4/29 |



| Pyramidal Horn Antenna(18GHz-26.5GHz) | ETS-Lindgren | Sep-60 | 5140299 | 2015/7/15 | 2017/7/14 |
|---------------------------------------|---------------|----------|--------------|------------|------------|
| Artificial Main Network | R&S | ENV4200 | 100134 | 2016/6/2 | 2017/6/2 |
| Line Impedance Stabilization Network | R&S | ENV216 | 100382 | 2016/6/2 | 2017/6/2 |
| Signal Generator | Agilent | E4438C | MY49071538 | 2016/12/15 | 2017/12/15 |
| Power Detecting & Sampling Unit | R&S | OSP-B157 | 100914 | 2016/8/5 | 2017/8/5 |
| Software Information | | | | | |
| Test Item | Software Name | | Manufacturer | | Version |
| RE | EMC32 | | R&S | | V9.25.0 |
| CE | EMC32 | | R&S | | V9.25.0 |

6 Appendixes

| Appendix No. | Description |
|----------------------------|-------------------|
| SYBH(Z-RF)018022017-2002-A | Appendix for WLAN |

END