



RF TEST REPORT

Applicant Huawei Technologies Co., Ltd.
FCC ID QISPOT-LX3
Product Smart Phone
Model POT-LX3
Report No. R1810H0133-R2
Issue Date November 12, 2018

TA Technology (Shanghai) Co., Ltd. tested the above equipment in accordance with the requirements in **FCC CFR47 Part 2 (2018)/ FCC CFR 47 Part 24E (2018)**. The test results show that the equipment tested is capable of demonstrating compliance with the requirements as documented in this report.

Jiang peng Lan

Performed by: Jiangpeng Lan

Kai Xu

Approved by: Kai Xu

TA Technology (Shanghai) Co., Ltd.

No.145, Jintang Rd, Tangzhen Industry Park, Pudong Shanghai, China

TEL: +86-021-50791141/2/3

FAX: +86-021-50791141/2/3-8000



TABLE OF CONTENT

1. Test Laboratory	4
1.1. Notes of the test report.....	4
1.2. Test facility	4
1.3. Testing Location.....	5
2. General Description of Equipment under Test.....	6
3. Applied Standards	9
4. Test Configuration	10
5. Test Case Results	11
5.1. Radiates Spurious Emission	11
6. Main Test Instruments.....	17



Summary of measurement results

No.	Test Case	Clause in FCC rules	Verdict
1	Radiates Spurious Emission	2.1053 / 24.238(a)	PASS
Date of Testing: October 12, 2018 ~ October 21, 2018			
Note: PASS: The EUT complies with the essential requirements in the standard.			

1. Test Laboratory

1.1. Notes of the test report

This report shall not be reproduced in full or partial, without the written approval of **TA technology (shanghai) co., Ltd.** The results documented in this report apply only to the tested sample, under the conditions and modes of operation as described herein. Measurement Uncertainties were not taken into account and are published for informational purposes only. This report is written to support regulatory compliance of the applicable standards stated above.

1.2. Test facility

CNAS (accreditation number: L2264)

TA Technology (Shanghai) Co., Ltd. has obtained the accreditation of China National Accreditation Service for Conformity Assessment (CNAS).

FCC (Designation number: CN1179, Test Firm Registration Number: 446626)

TA Technology (Shanghai) Co., Ltd. has been listed on the US Federal Communications Commission list of test facilities recognized to perform electromagnetic emissions measurements.

IC (recognition number is 8510A)

TA Technology (Shanghai) Co., Ltd. has been listed by industry Canada to perform electromagnetic emission measurement.

VCCI (recognition number is C-4595, T-2154, R-4113, G-10766)

TA Technology (Shanghai) Co., Ltd. has been listed by industry Japan to perform electromagnetic emission measurement.

A2LA (Certificate Number: 3857.01)

TA Technology (Shanghai) Co., Ltd. has been listed by American Association for Laboratory Accreditation to perform electromagnetic emission measurement.



1.3. Testing Location

Company: TA Technology (Shanghai) Co., Ltd.
Address: No.145, Jintang Rd, Tangzhen Industry Park, Pudong
City: Shanghai
Post code: 201201
Country: P. R. China
Contact: Xu Kai
Telephone: +86-021-50791141/2/3
Fax: +86-021-50791141/2/3-8000
Website: <http://www.ta-shanghai.com>
E-mail: xukai@ta-shanghai.com

2. General Description of Equipment under Test

Client Information

Applicant	Huawei Technologies Co., Ltd.
Applicant address	Administration Building, Headquarters of Huawei Technologies Co., Ltd., Bantian, Longgang District, Shenzhen, 518129, P.R.China.
Manufacturer	Huawei Technologies Co., Ltd.
Manufacturer address	Administration Building, Headquarters of Huawei Technologies Co., Ltd., Bantian, Longgang District, Shenzhen, 518129, P.R.China.

General information

EUT Description			
Model	POT-LX3		
IMEI	IMEI1: 868219040015296 IMEI2: 868219040018191		
Hardware Version	HL3POTM		
Software Version	5.0.1.50M(SP3C900E61R1P9log)		
Power Supply	Battery/AC adapter		
Antenna Type	Internal Antenna		
Test Mode(s)	GSM1900; WCDMA Band II; LTE Band 2;		
Test Modulation	(GSM)GMSK,8PSK; (WCDMA)QPSK; (LTE)QPSK,16QAM		
GPRS Multislot Class	12		
EGPRS Multislot Class	12		
HSDPA UE Category	10		
HSUPA UE Category	6		
DC-HSDPA UE Category	24		
HSPA+ UE Category	14		
LTE Category	4		
Rated Power Supply Voltage	3.82V		
Extreme Voltage	Minimum: 3.6V Maximum: 4.4V		
Extreme Temperature	Lowest: -10°C Highest: +55°C		
Operating Frequency Range(s)	Band	Tx (MHz)	Rx (MHz)
	GSM1900	1850 ~ 1910	1930 ~ 1990
	WCDMA Band II	1850 ~ 1910	1930 ~ 1990
	LTE Band 2	1850 ~ 1910	1930 ~ 1990
EUT Accessory			
Adapter 1	Manufacturer: Huawei Technologies Co., Ltd. (SALCOMP(GUIGANG)CO., LTD. Model: HW-050200U02		
Adapter 2	Manufacturer: Huawei Technologies Co., Ltd.		



	(HUIZHOU BYD ELECTRONIC CO., LTD.) Model: HW-050200U02
Adapter 3	Manufacturer: Huawei Technologies Co., Ltd. (SHENZHEN HUNTKEY ELECTRIC CO., LTD.) Model: HW-050200U02
Adapter 4	Manufacturer: Huawei Technologies Co., Ltd. (Dongguan Phitek Electronics Co., Ltd.) Model: HW-050200U02
Adapter 5	Manufacturer: Huawei Technologies Co., Ltd. (HUIZHOU BYD ELECTRONIC CO., LTD.) Model: HW-050200U01
Adapter 6	Manufacturer: Huawei Technologies Co., Ltd. (SHENZHEN HUNTKEY ELECTRIC CO., LTD.) Model: HW-050200U01
Adapter 7	Manufacturer: Huawei Technologies Co., Ltd. (Dongguan Phitek Electronics Co., Ltd.) Model: HW-050200U01
Battery 1	Manufacturer: Huawei Technologies Co., Ltd. (SCUD (FUJIAN) Electronics Co., Ltd.) Model: HB396286ECW
Battery 2	Manufacturer: Huawei Technologies Co., Ltd. (Huizhou Desay Battery Co., Ltd.) Model: HB396286ECW
Battery 3	Manufacturer: Huawei Technologies Co., Ltd. (Sunwoda Electronic Co., Ltd.) Model: HB396286ECW
Battery 4	Manufacturer: Huawei Technologies Co., Ltd. (Dongguan NVT Technology Co., Ltd) Model: HB396286ECW
Earphone 1	Manufacturer: Jiangxi Lianchuang Hongsheng Electronic Co., LTD Model: MEND1532B528A02
Earphone 2	Manufacturer: Boluo County Quancheng Electronic Co.,Ltd Model: 1293-3283-3.5mm-322
USB Cable 1	Manufacturer: NingBo Broad Telecommunication Co., Ltd. Model: WA0001
USB Cable 2	Manufacturer: HONGLIN TECHNOLOGY CO., LTD. Model: 130-26669
USB Cable 3	Manufacturer: FOXCONN INTERCONNECT TECHNOLOGY LIMITED Model: CUBB01M-HC304-DH
USB Cable 4	Manufacturer: LuXshare Model: L99U2017-CS-H
Note: 1.The information of the EUT is declared by the manufacturer.	



2. There is more than one Adapter, one Earphone, one USB cable and one Battery, each one should be applied throughout the compliance test respectively, and however, only the worst case (Adapter 3, Earphone2, USB cable 3, Battery 4) will be recorded in this report.

Item	Configure 1	Configure 2	Configure 3	Configure 4
Software	The same	The same	The same	The same
Hardware	The same	The same	The same	The same
Memory	32G	32G	64G	64G
SIM card slot	2* SIM card	1* SIM card	2* SIM card	1* SIM card
Other	The same	The same	The same	The same

Note: Customer declaration, four configures is the same, except for memory and SIM card slot. There are more than one Configure, each one should be applied throughout the compliance test respectively, however, only the worst case (Configure 1) will be recorded in this report.



3. Applied Standards

According to the specifications of the manufacturer, it must comply with the requirements of the following standards:

FCC CFR47 Part 2 (2018)

FCC CFR 47 Part 24E (2018)

ANSI C63.26 (2015)

KDB 971168 D01 Power Meas License Digital Systems v03r01

4. Test Configuration

Radiated measurements are performed by rotating the EUT in three different orthogonal test planes. EUT stand-up position (Z axis), lie-down position (X, Y axis). Receiver antenna polarization (horizontal and vertical), the worst emission was found in position (X axis, horizontal polarization) and the worst case was recorded.

All mode and data rates and positions and RB size and modulations were investigated.

Subsequently, only the worst case emissions are reported.

The following testing in GSM/WCDMA/LTE is set based on the maximum RF Output Power.

Test modes are chosen to be reported as the worst case configuration below:

Test items	Modes/Modulation	
	GSM 1900	WCDMA Band II
Radiates Spurious Emission	GSM	RMC

Test modes are chosen to be reported as the worst case configuration below for LTE Band 2:

Test items	Bandwidth (MHz)						Modulation		RB			Test Channel		
	1.4	3	5	10	15	20	QPSK	16QAM	1	50%	100%	L	M	H
Radiates Spurious Emission	O	-	O	-	-	O	O	-	O	-	-	-	O	-
Note	1. The mark "O" means that this configuration is chosen for testing. 2. The mark "-" means that this configuration is not testing.													

5. Test Case Results

5.1. Radiates Spurious Emission

Ambient condition

Temperature	Relative humidity	Pressure
23°C ~25°C	45%~50%	101.5kPa

Method of Measurement

1. The testing follows FCC KDB 971168 v03r01 Section 5.8 and ANSI C63.26 (2015).
2. Above 30MHz: The EUT is placed on a turntable 0.8 meters above the ground in the chamber, 3 meter away from the antenna. The maximal emission value is acquired by adjusting the antenna height, polarisation and turntable azimuth. Normally, the height range of antenna is 1 m to 4 m, the azimuth range of turntable is 0° to 360°, and the receive antenna has two polarizations Vertical (V) and Horizontal (H). Above 1GHz: (Note: the FCC's permission to use 1.5m as an alternative per TCBC Conf call of Dec. 2, 2014.) The EUT is placed on a turntable 1.5 meters above the ground in the chamber, 3 meter away from the antenna. The maximal emission value is acquired by adjusting the antenna height, polarisation and turntable azimuth. Normally, the height range of antenna is 1 m to 4 m, the azimuth range of turntable is 0° to 360°, and the receive antenna has two polarizations Vertical (V) and Horizontal (H).
3. A log-periodic antenna or horn antenna shall be substituted in place of the EUT. The log-periodic antenna will be driven by a signal generator and the level will be adjusted till the same power value on the spectrum analyzer or receiver. The level of the spurious emissions can be calculated through the level of the signal generator, cable loss, the gain of the substitution antenna and the reading of the spectrum analyzer or receiver.
4. The EUT is then put into continuously transmitting mode at its maximum power level during the test. Set Test Receiver or Spectrum RBW=1MHz, VBW=3MHz for above 1GHz and RBW=100kHz, VBW=300kHz for 30MHz to 1GHz., And the maximum value of the receiver should be recorded as (Pr).
5. The EUT shall be replaced by a substitution antenna. In the chamber, an substitution antenna for the frequency band of interest is placed at the reference point of the chamber. An RF Signal source for the frequency band of interest is connected to the substitution antenna with a cable that has been constructed to not interfere with the radiation pattern of the antenna. A power (PMea) is applied to the input of the substitution antenna, and adjust the level of the signal generator output until the value of the receiver reach the previously recorded (Pr). The power of signal source (PMea) is recorded. The test should be performed by rotating the test item and adjusting the receiving antenna polarization.
6. A amplifier should be connected to the Signal Source output port. And the cable should be connect between the Amplifier and the Substitution Antenna. The cable loss (Pcl) ,the Substitution Antenna Gain (Ga) and the Amplifier Gain (PAg) should be recorded after test.
7. The measurement results are obtained as described below:

Power(EIRP)=PMea- PAg - Pcl + Ga

The measurement results are amend as described below:

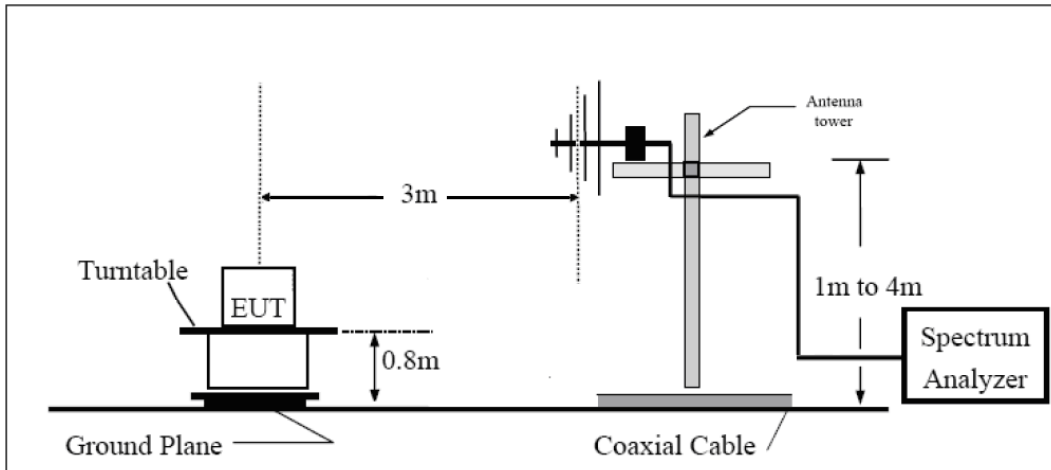
Power(EIRP)=P_{Mea}- P_{cl} + G_a

8. This value is EIRP since the measurement is calibrated using an antenna of known gain (2.15 dBi) and known input power. ERP can be calculated from EIRP by subtracting the gain of the dipole, ERP = EIRP-2.15dBi.

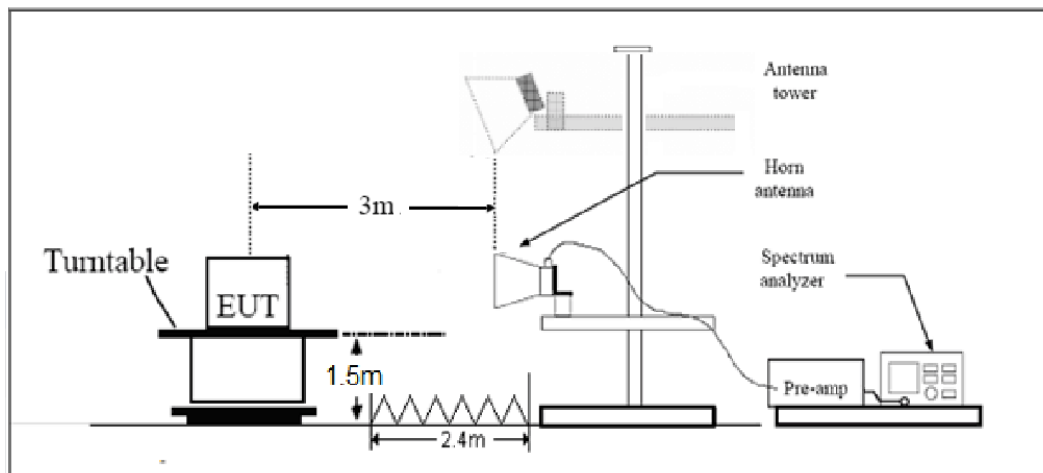
The modulation mode and RB allocation refer to section 5.1, using the maximum output power configuration.

Test setup

30MHz~~~ 1GHz



Above 1GHz



Note: Area side: 2.4mX3.6m

Limits

Rule Part 24.238(a) specifies that “on any frequency outside a licensee's frequency block, the power of any emission shall be attenuated below the transmitter power (P) by at least 43 + 10 log₁₀ (P) dB.”

Limit	-13 dBm
-------	---------

Measurement Uncertainty

The assessed measurement uncertainty to ensure 95% confidence level for the normal distribution is with the coverage factor $k = 1.96$, $U = 3.55$ dB.

Test Result

Sweep the whole frequency band through the range from 9kHz to the 10th harmonic of the carrier, the emissions more than 20 dB below the limit are not reported.

Configure 1

Antenna 1

GSM 1900 CH-Middle

Harmonic	Frequency (MHz)	SG (dBm)	Cable Loss (dB)	Gain (dBi)	Antenna Polarization	EIRP Level (dBm)	Limit (dBm)	Margin (dB)	Azimuth (deg)
2	3760.0	-63.18	5.10	11.05	Horizontal	-57.23	-13.00	44.23	45
3	5640.0	-61.21	5.42	12.65	Horizontal	-53.98	-13.00	40.98	270
4	7520.0	-57.01	6.70	13.85	Horizontal	-49.86	-13.00	36.86	90
5	9400.0	-56.84	7.01	14.75	Horizontal	-49.10	-13.00	36.10	180
6	11280.0	-54.25	7.48	15.95	Horizontal	-45.78	-13.00	32.78	270
7	13160.0	-54.42	7.51	16.55	Horizontal	-45.38	-13.00	32.38	45
8	15040.0	-51.97	8.24	15.35	Horizontal	-44.86	-13.00	31.86	315
9	16920.0	-51.62	8.41	14.95	Horizontal	-45.08	-13.00	32.08	270
10	18800.0	-	-	-	-	-	-	-	-

Note: 1.The other Spurious RF Radiated emissions level is no more than noise floor.
 2. The worst emission was found in the antenna is Horizontal position.

WCDMA Band II CH-Middle

Harmonic	Frequency (MHz)	SG (dBm)	Cable Loss (dB)	Gain (dBi)	Antenna Polarization	EIRP Level (dBm)	Limit (dBm)	Margin (dB)	Azimuth (deg)
2	3760.0	-63.42	5.10	11.05	Horizontal	-57.47	-13.00	44.47	225
3	5640.0	-60.82	5.42	12.65	Horizontal	-53.59	-13.00	40.59	90
4	7520.0	-58.04	6.70	13.85	Horizontal	-50.89	-13.00	37.89	135
5	9400.0	-55.34	7.01	14.75	Horizontal	-47.60	-13.00	34.60	90
6	11280.0	-54.91	7.48	15.95	Horizontal	-46.44	-13.00	33.44	135
7	13160.0	-54.60	7.51	16.55	Horizontal	-45.56	-13.00	32.56	135
8	15040.0	-53.37	8.24	15.35	Horizontal	-46.26	-13.00	33.26	45
9	16920.0	-50.64	8.41	14.95	Horizontal	-44.10	-13.00	31.10	180
10	18800.0	-	-	-	-	-	-	-	-

Note: 1.The other Spurious RF Radiated emissions level is no more than noise floor.
 2. The worst emission was found in the antenna is Horizontal position.



LTE Band 2 1.4MHz CH-Middle

Harmonic	Frequency (MHz)	SG (dBm)	Cable Loss (dB)	Gain (dBi)	Antenna Polarization	EIRP Level (dBm)	Limit (dBm)	Margin (dB)	Azimuth (deg)
2	3759.0	-62.09	5.10	11.05	Horizontal	-56.14	-13.00	43.14	90
3	5638.9	-61.26	5.42	12.65	Horizontal	-54.03	-13.00	41.03	180
4	7520.0	-56.39	6.70	13.85	Horizontal	-49.24	-13.00	36.24	135
5	9400.0	-54.84	7.01	14.75	Horizontal	-47.10	-13.00	34.10	90
6	11280.0	-53.24	7.48	15.95	Horizontal	-44.77	-13.00	31.77	45
7	13160.0	-53.38	7.51	16.55	Horizontal	-44.34	-13.00	31.34	225
8	15040.0	-52.45	8.24	15.35	Horizontal	-45.34	-13.00	32.34	0
9	16920.0	-50.01	8.41	14.95	Horizontal	-43.47	-13.00	30.47	225
10	18800.0	-	-	-	-	-	-	-	-

Note: 1. The other Spurious RF Radiated emissions level is no more than noise floor.
2. The worst emission was found in the antenna is Horizontal position.

LTE Band 2 5MHz CH-Middle

Harmonic	Frequency (MHz)	SG (dBm)	Cable Loss (dB)	Gain (dBi)	Antenna Polarization	EIRP Level (dBm)	Limit (dBm)	Margin (dB)	Azimuth (deg)
2	3755.6	-63.05	5.10	11.05	Horizontal	-57.10	-13.00	44.10	270
3	5633.6	-60.43	5.42	12.65	Horizontal	-53.20	-13.00	40.20	90
4	7520.0	-56.99	6.70	13.85	Horizontal	-49.84	-13.00	36.84	45
5	9400.0	-53.83	7.01	14.75	Horizontal	-46.09	-13.00	33.09	225
6	11280.0	-53.38	7.48	15.95	Horizontal	-44.91	-13.00	31.91	225
7	13160.0	-54.59	7.51	16.55	Horizontal	-45.55	-13.00	32.55	315
8	15040.0	-52.46	8.24	15.35	Horizontal	-45.35	-13.00	32.35	45
9	16920.0	-50.48	8.41	14.95	Horizontal	-43.94	-13.00	30.94	135
10	18800.0	-	-	-	-	-	-	-	-

Note: 1. The other Spurious RF Radiated emissions level is no more than noise floor.
2. The worst emission was found in the antenna is Horizontal position.



LTE Band 2 20MHz CH-Middle

Harmonic	Frequency (MHz)	SG (dBm)	Cable Loss (dB)	Gain (dBi)	Antenna Polarization	EIRP Level (dBm)	Limit (dBm)	Margin (dB)	Azimuth (deg)
2	3742.1	-62.17	5.10	11.05	Horizontal	-56.22	-13.00	43.22	90
3	5613.4	-60.35	5.42	12.65	Horizontal	-53.12	-13.00	40.12	45
4	7484.6	-56.42	6.70	13.85	Horizontal	-49.27	-13.00	36.27	135
5	9400.0	-53.98	7.01	14.75	Horizontal	-46.24	-13.00	33.24	315
6	11280.0	-53.44	7.48	15.95	Horizontal	-44.97	-13.00	31.97	45
7	13160.0	-54.88	7.51	16.55	Horizontal	-45.84	-13.00	32.84	225
8	15040.0	-52.98	8.24	15.35	Horizontal	-45.87	-13.00	32.87	90
9	16920.0	-50.84	8.41	14.95	Horizontal	-44.30	-13.00	31.30	225
10	18800.0	-	-	-	-	-	-	-	-

Note: 1. The other Spurious RF Radiated emissions level is no more than noise floor.
2. The worst emission was found in the antenna is Horizontal position.

Antenna 2

GSM 1900 CH-Middle

Harmonic	Frequency (MHz)	SG (dBm)	Cable Loss (dB)	Gain (dBi)	Antenna Polarization	EIRP Level (dBm)	Limit (dBm)	Margin (dB)	Azimuth (deg)
2	3760.0	-59.27	5.10	11.05	Horizontal	-53.32	-13.00	40.32	45
3	5640.0	-41.95	5.42	12.65	Horizontal	-34.72	-13.00	21.72	270
4	7520.0	-56.54	6.70	13.85	Horizontal	-49.39	-13.00	36.39	90
5	9400.0	-53.29	7.01	14.75	Horizontal	-45.55	-13.00	32.55	180
6	11280.0	-53.81	7.48	15.95	Horizontal	-45.34	-13.00	32.34	270
7	13160.0	-56.48	7.51	16.55	Horizontal	-47.44	-13.00	34.44	45
8	15040.0	-52.77	8.24	15.35	Horizontal	-45.66	-13.00	32.66	315
9	16920.0	-51.49	8.41	14.95	Horizontal	-44.95	-13.00	31.95	270
10	18800.0	-	-	-	-	-	-	-	-

Note: 1. The other Spurious RF Radiated emissions level is no more than noise floor.
2. The worst emission was found in the antenna is Horizontal position.



WCDMA Band II CH-Middle

Harmonic	Frequency (MHz)	SG (dBm)	Cable Loss (dB)	Gain (dBi)	Antenna Polarization	EIRP Level (dBm)	Limit (dBm)	Margin (dB)	Azimuth (deg)
2	3760.0	-63.03	5.10	11.05	Horizontal	-57.08	-13.00	44.08	225
3	5640.0	-60.89	5.42	12.65	Horizontal	-53.66	-13.00	40.66	90
4	7520.0	-57.47	6.70	13.85	Horizontal	-50.32	-13.00	37.32	135
5	9400.0	-55.91	7.01	14.75	Horizontal	-48.17	-13.00	35.17	90
6	11280.0	-53.87	7.48	15.95	Horizontal	-45.40	-13.00	32.40	135
7	13160.0	-53.57	7.51	16.55	Horizontal	-44.53	-13.00	31.53	135
8	15040.0	-54.51	8.24	15.35	Horizontal	-47.40	-13.00	34.40	45
9	16920.0	-50.66	8.41	14.95	Horizontal	-44.12	-13.00	31.12	180
10	18800.0	-	-	-	-	-	-	-	-

Note: 1. The other Spurious RF Radiated emissions level is no more than noise floor.
2. The worst emission was found in the antenna is Horizontal position.

6. Main Test Instruments

Name	Manufacturer	Type	Serial Number	Calibration Date	Expiration Date
Base Station Simulator	R&S	CMU200	118133	2018-05-13	2019-05-12
Base Station Simulator	R&S	CMW500	113824	2018-05-20	2019-05-19
Power Splitter	Hua Xiang	SHX-GF2-2-13	10120101	/	/
Spectrum Analyzer	Agilent	N9010A	MY50210259	2018-05-20	2019-05-19
Universal Radio Communication Tester	Agilent	E5515C	MY48367192	2018-05-20	2019-05-19
Signal Analyzer	R&S	FSV40	15195-01-00	2018-05-20	2019-05-19
EMI Test Receiver	R&S	ESCI	100948	2018-05-20	2019-05-19
Loop Antenna	SCHWARZBECK	FMZB1519	1519-047	2017-09-26	2019-09-25
Trilog Antenna	SCHWARZBECK	VUBL 9163	9163-201	2017-11-18	2019-11-17
Horn Antenna	R&S	HF907	100126	2018-07-07	2020-07-06
Horn Antenna	ETS-Lindgren	3160-09	00102643	2018-06-20	2020-06-19
Signal generator	R&S	SMB 100A	102594	2018-05-20	2019-05-19
Climatic Chamber	ESPEC	SU-242	93000506	2017-12-17	2020-12-16
Preampflifier	R&S	SCU18	102327	2018-05-20	2019-05-19
MOB COMMS DC SUPPLY	Keysight	66319D	MY43004105	2018-05-07	2019-05-06
RF Cable	Agilent	SMA 15cm	0001	/	/
Software	R&S	EMC32	9.26.0	/	/

*****END OF REPORT *****