

FCC-DOC COMPLIANCE REPORT

Canada ISED ICES-003 TEST REPORT

Test Report No. : E1/2017/A0027
Applicant : Huawei Technologies Co., Ltd.
Address : Administration Building, Headquarters of Huawei Technologies Co., Ltd., Bantian, Longgang District, Shenzhen, 518129, China (For FCC)
Administration Building, Headquarters of Huawei Technologies Co., Ltd., Bantian, Longgang District, Shenzhen 518129 China (Peoples Republic Of) (For IC)
Manufacturer : Huawei Technologies Co., Ltd.
Address : Administration Building, Headquarters of Huawei Technologies Co., Ltd., Bantian, Longgang District, Shenzhen, 518129, China (For FCC)
Administration Building, Headquarters of Huawei Technologies Co., Ltd., Bantian, Longgang District, Shenzhen 518129 China (Peoples Republic Of) (For IC)
Equipment Under Test (EUT) :
Product Name : HUAWEI MateBook
Brand Name : HUAWEI
Model No. : MRC-W10, MRC-W50, MRC-W60
Added Model(s) : N/A

Standards : FCC Part 15:2017, Subpart B, Class B
Canada ICES-003 Issue 6(June 2016), Class B

FCC Registration Numbers : 916890

Date of Receipt : Oct. 03, 2017
Date of Test : Oct. 03 ~ 25, 2017
Date of Issue : Nov. 09, 2017

Test Result :	PASS
----------------------	-------------

In the configuration tested, the EUT complied with the standards specified above.

Remarks :

This report details the results of the testing carried out on one sample, the results contained in this test report do not relate to other samples of the same product. The manufacturer should ensure that all products in series production are in conformity with the product sample detailed in this report.

This report shall not be reproduced except in full, without the written approval of the laboratory. If the product in this report is used in any configuration other than that detailed in the report, the manufacturer must ensure the new system complies with all relevant standards.

Tested By:

Ivan Hsieh

Date

Nov. 09, 2017

Ivan Hsieh (Engineer)

Approved By

Tony Hsu

Date

Nov. 09, 2017

Tony Hsu (Assistant Manager)



Unless otherwise stated the results shown in this test report refer only to the sample(s) tested and such sample(s) are retained for 90 days only.
除非另有說明，此報告結果僅對測試之樣品負責，同時此樣品僅保留90天。本報告未經本公司書面許可，不可部份複製。

This document is issued by the Company subject to its General Conditions of Service printed overleaf, available on request or accessible at www.sgs.com/terms_and_conditions.htm and for electronic format documents, subject to Terms and Conditions for Electronic Documents at www.sgs.com/terms_e-document.htm. Attention is drawn to the limitation of liability, indemnification and jurisdiction issues defined therein. Any holder of this document is advised that information contained hereon reflects the Company's findings at the time of its intervention only and within the limits of Client's instructions, if any. The Company's sole responsibility is to its Client and this document does not exonerate parties to a transaction from exercising all their rights and obligations under the transaction documents. This document cannot be reproduced except in full, without prior written approval of the Company. Any unauthorized alteration, forgery or falsification of the content or appearance of this document is unlawful and offenders may be prosecuted to the fullest extent of the law.

Revision History

Report Number	Revision	Description	Issue Date
E1/2017/A0027	Rev.00	Initial creation of document	Nov. 09, 2017

Unless otherwise stated the results shown in this test report refer only to the sample(s) tested and such sample(s) are retained for 90 days only.

除非另有說明，此報告結果僅對測試之樣品負責，同時此樣品僅保留90天。本報告未經本公司書面許可，不可部份複製。

This document is issued by the Company subject to its General Conditions of Service printed overleaf, available on request or accessible at www.sgs.com/terms_and_conditions.htm and for electronic format documents, subject to Terms and Conditions for Electronic Documents at www.sgs.com/terms_e-document.htm. Attention is drawn to the limitation of liability, indemnification and jurisdiction issues defined therein. Any holder of this document is advised that information contained hereon reflects the Company's findings at the time of its intervention only and within the limits of Client's instructions, if any. The Company's sole responsibility is to its Client and this document does not exonerate parties to a transaction from exercising all their rights and obligations under the transaction documents. This document cannot be reproduced except in full, without prior written approval of the Company. Any unauthorized alteration, forgery or falsification of the content or appearance of this document is unlawful and offenders may be prosecuted to the fullest extent of the law.

Contents

1. GENERAL INFORMATION	4
1.1 APPLICANT & MANUFACTURER INFORMATION	4
1.2 GENERAL DESCRIPTION OF EUT	4
1.3 DETAILS OF EUT	5
1.4 OPERATION PROCEDURE	6
1.5 DESCRIPTION OF SUPPORT UNITS	7
1.6 MODIFICATION LIST	7
1.7 ACCESSORIES CABLE LIST	7
1.8 TEST SET-UP CONFIGURATION.....	8
1.9 MEASUREMENT PROCEDURE	9
1.10 STANDARDS APPLICABLE FOR TESTING.....	9
1.11 SUMMARY OF RESULTS	9
2. EMISSION	10
2.1 TEST RESULTS	10
2.2 FREQUENCY RANGE.....	10
2.3 LIMITS OF CONDUCTED AND RADIATED EMISSION	11
2.3.1 LIMITS OF CONDUCTED EMISSION	11
2.3.2 LIMITS OF RADIATED EMISSIONS.....	12
2.4. TEST OF CONDUCTED EMISSION.....	13
2.4.1 TEST EQUIPMENTS	13
2.4.2 OPERATING ENVIRONMENT	13
2.4.3 MEASUREMENT LEVEL CALCULATION	13
2.4.4 MEASUREMENT DATA:.....	14
2.5 TEST OF RADIATED EMISSION.....	16
2.5.1 TEST EQUIPMENTS	16
2.5.2 OPERATING ENVIRONMENT	17
2.5.3 MEASUREMENT LEVEL CALCULATION	17
2.5.4 MEASUREMENT DATA.....	18

Unless otherwise stated the results shown in this test report refer only to the sample(s) tested and such sample(s) are retained for 90 days only.

除非另有說明，此報告結果僅對測試之樣品負責，同時此樣品僅保留90天。本報告未經本公司書面許可，不可部份複製。

This document is issued by the Company subject to its General Conditions of Service printed overleaf, available on request or accessible at www.sgs.com/terms_and_conditions.htm and for electronic format documents, subject to Terms and Conditions for Electronic Documents at www.sgs.com/terms_e-document.htm. Attention is drawn to the limitation of liability, indemnification and jurisdiction issues defined therein. Any holder of this document is advised that information contained hereon reflects the Company's findings at the time of its intervention only and within the limits of Client's instructions, if any. The Company's sole responsibility is to its Client and this document does not exonerate parties to a transaction from exercising all their rights and obligations under the transaction documents. This document cannot be reproduced except in full, without prior written approval of the Company. Any unauthorized alteration, forgery or falsification of the content or appearance of this document is unlawful and offenders may be prosecuted to the fullest extent of the law.

1. General Information

1.1 Applicant & Manufacturer Information

Applicant : Huawei Technologies Co., Ltd.
Address of Applicant : Administration Building, Headquarters of Huawei Technologies Co., Ltd., Bantian, Longgang District, Shenzhen, 518129, China (For FCC)
Administration Building, Headquarters of Huawei Technologies Co., Ltd., Bantian, Longgang District, Shenzhen, 518129, China (Peoples Republic Of) (For IC)
Manufacturer : Huawei Technologies Co., Ltd.
Address of Manufacturer : Administration Building, Headquarters of Huawei Technologies Co., Ltd., Bantian, Longgang District, Shenzhen, 518129, China (For FCC)
Administration Building, Headquarters of Huawei Technologies Co., Ltd., Bantian, Longgang District, Shenzhen, 518129, China (Peoples Republic Of) (For IC)

1.2 General Description of EUT

Product Name : HUAWEI MateBook
Brand Name : HUAWEI
Model No. : MRC-W10, MRC-W50, MRC-W60
Added Model(s) : N/A
Model Difference : For Marketing Purpose
FCC ID : QISMRC-WX0
IC ID : 6369A-MRCWX0

Unless otherwise stated the results shown in this test report refer only to the sample(s) tested and such sample(s) are retained for 90 days only.
除非另有說明，此報告結果僅對測試之樣品負責，同時此樣品僅保留90天。本報告未經本公司書面許可，不可部份複製。

This document is issued by the Company subject to its General Conditions of Service printed overleaf, available on request or accessible at www.sgs.com/terms_and_conditions.htm and for electronic format documents, subject to Terms and Conditions for Electronic Documents at www.sgs.com/terms_e-document.htm. Attention is drawn to the limitation of liability, indemnification and jurisdiction issues defined therein. Any holder of this document is advised that information contained hereon reflects the Company's findings at the time of its intervention only and within the limits of Client's instructions, if any. The Company's sole responsibility is to its Client and this document does not exonerate parties to a transaction from exercising all their rights and obligations under the transaction documents. This document cannot be reproduced except in full, without prior written approval of the Company. Any unauthorized alteration, forgery or falsification of the content or appearance of this document is unlawful and offenders may be prosecuted to the fullest extent of the law.

1.3 Details of EUT

Power Supply : AC 100~240V, 50~60Hz
 Modes/Function : Please see as below
 Worst case : CE_Worst_case: Mode 1
 RE_Worst_case: Mode 1
 Highest operate description : 4GHz

Mode	CPU	Memory	LCD Panel	SSD	HHD	WLAN+BT	Battery	Adapter	Graphics	WLAN Link
1	Intel 1.8GHz up to 4GHz	8GB+8GB DDR4	BOE TV156FHM- NH0	Micron 512GB	Seagate 1TB	Intel 8265HUUW	Huawei HB46K497ECW	HUAWEI HW- 190340U00	N17S	2.4G
2	Intel 1.8GHz up to 4GHz	8GB+8GB DDR4	BOE TV156FHM- NH0	Micron 512GB	Seagate 1TB	Intel 8265HUUW	Huawei HB46K497ECW	HUAWEI HW- 190340E00	N17S	standby
3	Intel 1.6GHz up to 3.4GHz	8GB+8GB DDR4	AUO B156HAN02.1	Sandisk 512GB	WD 1TB	Intel 8265HUUW	Huawei HB46K497ECW	HUAWEI HW- 190340U00	N17S	standby
4	Intel 1.8GHz up to 4GHz	8GB+8GB DDR4	BOE TV156FHM- NH0	Liteon 512GB	WD 500GB	Intel 8265HUUW	Huawei HB46K497ECW	HUAWEI HW- 190340E00	NA	standby
5	Intel 1.8GHz up to 4GHz	4GB+4GB DDR4	BOE TV156FHM- NH0	Toshiba 256GB	Seagate 500GB	Intel 8265HUUW	Huawei HB46K497ECW	HUAWEI HW- 190340J00	N17S	standby
6	Intel 1.8GHz up to 4GHz	4GB+4GB DDR4	BOE TV156FHM- NH0	Sandisk 256GB	Toshiba 500GB	Intel 8265HUUW	Huawei HB46K497ECW	HUAWEI HW- 190340B00	N17S	standby
7	Intel 1.8GHz up to 4GHz	4GB+4GB DDR4	BOE TV156FHM- NH0	Micron 256GB	Seagate 500GB	Intel 8265HUUW	Huawei HB46K497ECW	HUAWEI HW- 190340A00	N17S	standby
8	Intel 1.8GHz up to 4GHz	4GB+4GB DDR4	BOE TV156FHM- NH0	Liteon 256GB	WD 1TB	Intel 8265HUUW	Huawei HB46K497ECW	HUAWEI HW- 190340E00	N17S	standby
9	Intel 1.8GHz up to 4GHz	8GB+8GB DDR4	BOE TV156FHM- NH0	Sandisk 128GB	Seagate 1TB	Intel 8265HUUW	Huawei HB46K497ECW	HUAWEI HW- 190340E00	N17S	standby
10	Intel 1.8GHz up to 4GHz	8GB+8GB DDR4	BOE TV156FHM- NH0	Toshiba 128GB	Seagate 1TB	Intel 8265HUUW	Huawei HB46K497ECW	HUAWEI HW- 190340E00	N17S	standby
11	Intel 1.8GHz up to 4GHz	8GB+8GB DDR4	BOE TV156FHM- NH0	Liteon 128GB	Seagate 1TB	Intel 8265HUUW	Huawei HB46K497ECW	HUAWEI HW- 190340E00	N17S	standby
12	Intel 1.8GHz up to 4GHz	8GB+8GB DDR4	BOE TV156FHM- NH0	Micron 512GB	Seagate 1TB	Intel 8265HUUW	Huawei HB46K497ECW	HUAWEI HW- 190340E00	N17S	5G

Unless otherwise stated the results shown in this test report refer only to the sample(s) tested and such sample(s) are retained for 90 days only.

除非另有說明，此報告結果僅對測試之樣品負責，同時此樣品僅保留90天。本報告未經本公司書面許可，不可部份複製。

This document is issued by the Company subject to its General Conditions of Service printed overleaf, available on request or accessible at www.sgs.com/terms_and_conditions.htm and for electronic format documents, subject to Terms and Conditions for Electronic Documents at www.sgs.com/terms_e-document.htm. Attention is drawn to the limitation of liability, indemnification and jurisdiction issues defined therein. Any holder of this document is advised that information contained hereon reflects the Company's findings at the time of its intervention only and within the limits of Client's instructions, if any. The Company's sole responsibility is to its Client and this document does not exonerate parties to a transaction from exercising all their rights and obligations under the transaction documents. This document cannot be reproduced except in full, without prior written approval of the Company. Any unauthorized alteration, forgery or falsification of the content or appearance of this document is unlawful and offenders may be prosecuted to the fullest extent of the law.

Peripheral List:

Power Adapter	HUAWEI	Model	HW-19034YYYY (Y=0-9,A-Z or blank)
CPU	Intel	Model	Up to 4GHz
Memory	Two DDR4 SO-DIMM slots		
Graphics	Integrated Graphic		
	Nvidia N17S		
LCD Panel	BOE	Model	TV156YYY-YYY (Y=0-9,A-Z or blank)
	AUO	Model	B156YYYYY.Y (Y=0-9,A-Z or blank)
WLAN+BT	Intel	Model	8265HUU
Storage	One PCIE/SATA Storage Device		
	One SATA Storage Device		
Battery	One re-chargeable battery pack		
Camera	One Camera optional		

1.4 Operation Procedure

Test Mode1

1. EUT connected to the Adapter power on.
2. Connected to USB K / B, USB HDD * 2, EARPHONE.
3. BT connected to BT Mouse.
4. WiFi link to AP-5G, ping AP IP.
5. Execute amcap_capture, open Camera.
6. Execute BurnIn Test, test the CPU, RAM, HDD, Sound function.
7. HDMI connected to the screen (resolution: 1920 * 1080), FCC Run H_Pattern, CE / VCCI Run 1729.mp4.
8. Start the test.

Unless otherwise stated the results shown in this test report refer only to the sample(s) tested and such sample(s) are retained for 90 days only.

除非另有說明，此報告結果僅對測試之樣品負責，同時此樣品僅保留90天。本報告未經本公司書面許可，不可部份複製。

This document is issued by the Company subject to its General Conditions of Service printed overleaf, available on request or accessible at www.sgs.com/terms_and_conditions.htm and for electronic format documents, subject to Terms and Conditions for Electronic Documents at www.sgs.com/terms_e-document.htm. Attention is drawn to the limitation of liability, indemnification and jurisdiction issues defined therein. Any holder of this document is advised that information contained hereon reflects the Company's findings at the time of its intervention only and within the limits of Client's instructions, if any. The Company's sole responsibility is to its Client and this document does not exonerate parties to a transaction from exercising all their rights and obligations under the transaction documents. This document cannot be reproduced except in full, without prior written approval of the Company. Any unauthorized alteration, forgery or falsification of the content or appearance of this document is unlawful and offenders may be prosecuted to the fullest extent of the law.

1.5 Description of Support Units

PRODUCT	MANUFACTURER	MODEL NO.	SERIAL NO.
Monitor (RE,HRE)	ViewSonic	VX2475Smhl-4K	U92152900125
Monitor (CE)	DELL	P2415Qb	CN-0GTTTPW-74261-559-0C5L
Mouse (RE,CE)	lenovo	MOEUUO	44Na318
Earphone (RE,CE)	htc	N/A	N/A
Earphone (HRE)	logitech	N/A	N/A
HDD	Transcend	StoreJet TS1TSJ25M3	D65962 0263
HDD	Transcend	StoreJet TS1TSJ25M3	D70569 3481
BT Speaker	Creative	MF8090	YFMF8090245R00855Y
AP	BUFFALO	WZR-HP-G300NH2	44066221202559G
Notebook	DELL	Latitude E6440	3VGS162

Support Equipment Used in Tested Cable

Cable Type	Core	Length	Shielding/Non-shielding
HDMI Cable	N/A	1.8m	Shielding
HDD USB Cable*2	N/A	1.0m	Shielding
Earphone Cable	N/A	2.0m	Non-shielding
MOUSE USB Cable	N/A	1.8m	Shielding

1.6 Modification List

No modification was made by SGS Taiwan Electronics & Communication Laboratory.

1.7 Accessories Cable List

Cable Type	Core	Length	Category	Shielding/Non-shielding
Adapter dc output	N/A	1.8m	N/A	Shielding

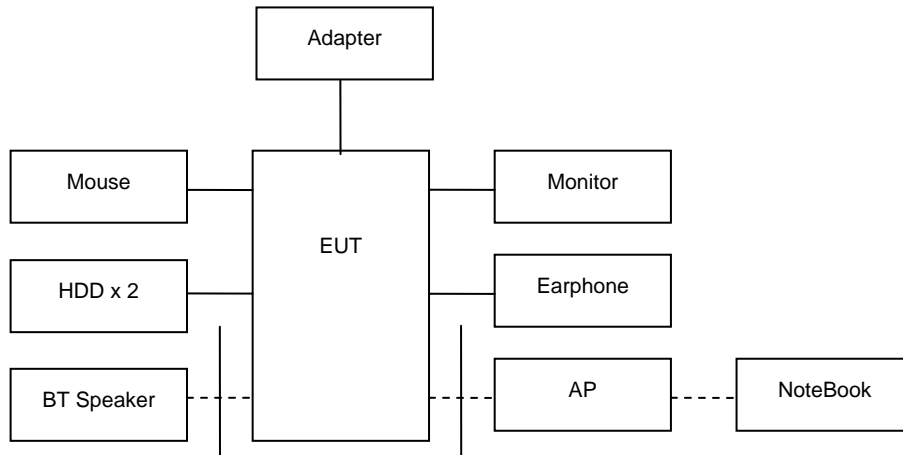
Unless otherwise stated the results shown in this test report refer only to the sample(s) tested and such sample(s) are retained for 90 days only.

除非另有說明，此報告結果僅對測試之樣品負責，同時此樣品僅保留90天。本報告未經本公司書面許可，不可部份複製。

This document is issued by the Company subject to its General Conditions of Service printed overleaf, available on request or accessible at www.sgs.com/terms_and_conditions.htm and for electronic format documents, subject to Terms and Conditions for Electronic Documents at www.sgs.com/terms_e-document.htm. Attention is drawn to the limitation of liability, indemnification and jurisdiction issues defined therein. Any holder of this document is advised that information contained hereon reflects the Company's findings at the time of its intervention only and within the limits of Client's instructions, if any. The Company's sole responsibility is to its Client and this document does not exonerate parties to a transaction from exercising all their rights and obligations under the transaction documents. This document cannot be reproduced except in full, without prior written approval of the Company. Any unauthorized alteration, forgery or falsification of the content or appearance of this document is unlawful and offenders may be prosecuted to the fullest extent of the law.

1.8 Test Set-Up Configuration

Test mode 1



Unless otherwise stated the results shown in this test report refer only to the sample(s) tested and such sample(s) are retained for 90 days only.

除非另有說明，此報告結果僅對測試之樣品負責，同時此樣品僅保留90天。本報告未經本公司書面許可，不可部份複製。

This document is issued by the Company subject to its General Conditions of Service printed overleaf, available on request or accessible at www.sgs.com/terms_and_conditions.htm and for electronic format documents, subject to Terms and Conditions for Electronic Documents at www.sgs.com/terms_e-document.htm. Attention is drawn to the limitation of liability, indemnification and jurisdiction issues defined therein. Any holder of this document is advised that information contained hereon reflects the Company's findings at the time of its intervention only and within the limits of Client's instructions, if any. The Company's sole responsibility is to its Client and this document does not exonerate parties to a transaction from exercising all their rights and obligations under the transaction documents. This document cannot be reproduced except in full, without prior written approval of the Company. Any unauthorized alteration, forgery or falsification of the content or appearance of this document is unlawful and offenders may be prosecuted to the fullest extent of the law.

1.9 Measurement Procedure

Conducted Emission Testing was performed according to ANSI C63.4:2014 in a shielded room with peripherals placed on a table, 0.8m high over a metal floor. It was located more than required distance away from the shielded room wall.

Radiated Emission Testing was performed according to ANSI C63.4:2014 at the 3/10m semi-anechoic chamber. The EUT was placed on a 0.8m high table along with the peripherals. The turn table was placed 10m distance from the antenna. Cables were placed in a position to produce maximum emissions as determined by experimentation, and operation mode was selected for production of maximum emission.

The frequencies and amplitudes of maximum emission were measured at varying azimuths, antenna heights and antenna polarities. Maximum emission levels are then reported.

1.10 Standards Applicable for Testing

Tests to be carried out under FCC Part 15, Subpart B/CISPR 22

Test Standards	Status
FCC Part 15, Subpart B/ CISPR 22	Applicable
Deviation from Standard	No deviation

1.11 Summary of Results

Standard	Test Type	Highest Emission			
		Result	Phase/Pol.	Frequency(MHz)	Margin(dB)
FCC Part 15 Subpart B Class B	Conducted Emission	PASS	Line	0.1500	-9.96 (QP)
			Neutral	0.1540	-12.77 (QP)
Canada ICES-003 Issue 6 (June 2016),Class B	Radiated Emission	PASS	Hor.	989.0100	-4.07 (QP)

Unless otherwise stated the results shown in this test report refer only to the sample(s) tested and such sample(s) are retained for 90 days only.
除非另有說明，此報告結果僅對測試之樣品負責，同時此樣品僅保留90天。本報告未經本公司書面許可，不可部份複製。

This document is issued by the Company subject to its General Conditions of Service printed overleaf, available on request or accessible at www.sgs.com/terms_and_conditions.htm and for electronic format documents, subject to Terms and Conditions for Electronic Documents at www.sgs.com/terms_e-document.htm. Attention is drawn to the limitation of liability, indemnification and jurisdiction issues defined therein. Any holder of this document is advised that information contained hereon reflects the Company's findings at the time of its intervention only and within the limits of Client's instructions, if any. The Company's sole responsibility is to its Client and this document does not exonerate parties to a transaction from exercising all their rights and obligations under the transaction documents. This document cannot be reproduced except in full, without prior written approval of the Company. Any unauthorized alteration, forgery or falsification of the content or appearance of this document is unlawful and offenders may be prosecuted to the fullest extent of the law.

2. EMISSION

2.1 Test Results

	Results
Conducted Emission	Pass
Radiated Emission	Pass

2.2 Frequency Range

FCC Part 15, Subpart B:

Conducted Emission : 150 kHz - 30 MHz

Radiated Emission : See below table

Highest frequency generated or used in the device or on which the device operates or tunes (MHz) Upper frequency of measurement range (MHz)

Below 1.705	30
1.705 - 108	1000
108 - 500	2000
500 - 1000	5000
Above 1000	5th harmonic of the highest frequency or 40 GHz, whichever is lower

Unless otherwise stated the results shown in this test report refer only to the sample(s) tested and such sample(s) are retained for 90 days only.

除非另有說明，此報告結果僅對測試之樣品負責，同時此樣品僅保留90天。本報告未經本公司書面許可，不可部份複製。

This document is issued by the Company subject to its General Conditions of Service printed overleaf, available on request or accessible at www.sgs.com/terms_and_conditions.htm and for electronic format documents, subject to Terms and Conditions for Electronic Documents at www.sgs.com/terms_e-document.htm. Attention is drawn to the limitation of liability, indemnification and jurisdiction issues defined therein. Any holder of this document is advised that information contained hereon reflects the Company's findings at the time of its intervention only and within the limits of Client's instructions, if any. The Company's sole responsibility is to its Client and this document does not exonerate parties to a transaction from exercising all their rights and obligations under the transaction documents. This document cannot be reproduced except in full, without prior written approval of the Company. Any unauthorized alteration, forgery or falsification of the content or appearance of this document is unlawful and offenders may be prosecuted to the fullest extent of the law.

2.3 Limits of Conducted and Radiated Emission

2.3.1 Limits of Conducted Emission

FCC Part 15, Subpart B/CISPR 22:

FREQUENCY (MHz)	Class A (dBuV)		Class B (dBuV)	
	Quasi - peak	Average	Quasi - peak	Average
0.15 - 0.5	79	66	66 - 56	56 - 46
0.50 - 5.0	73	60	56	46
5.0 - 30.0	73	60	60	50

Note : (1) The lower limit shall apply at the transition frequencies.

(2) The limit decreases linearly with the logarithm of the frequency in the range 0.15 to 0.50 MHz.

(3) All emanation from a class A/B digital device or system, including any network of conductors and apparatus connected there to, shall not exceed the level of field strengths specified above.

Unless otherwise stated the results shown in this test report refer only to the sample(s) tested and such sample(s) are retained for 90 days only.

除非另有說明，此報告結果僅對測試之樣品負責，同時此樣品僅保留90天。本報告未經本公司書面許可，不可部份複製。

This document is issued by the Company subject to its General Conditions of Service printed overleaf, available on request or accessible at www.sgs.com/terms_and_conditions.htm and for electronic format documents, subject to Terms and Conditions for Electronic Documents at www.sgs.com/terms_e-document.htm. Attention is drawn to the limitation of liability, indemnification and jurisdiction issues defined therein. Any holder of this document is advised that information contained hereon reflects the Company's findings at the time of its intervention only and within the limits of Client's instructions, if any. The Company's sole responsibility is to its Client and this document does not exonerate parties to a transaction from exercising all their rights and obligations under the transaction documents. This document cannot be reproduced except in full, without prior written approval of the Company. Any unauthorized alteration, forgery or falsification of the content or appearance of this document is unlawful and offenders may be prosecuted to the fullest extent of the law.

2.3.2 Limits of Radiated Emissions

FCC Part 15, Subpart B Limit:

- Detector Function : Quasi – Peak

FREQUENCY (MHz)	Class A (at 10m)	Class B (at 3m)
	dBuV/m	dBuV/m
30~88	39	40
88~216	43.5	43.5
216~960	46.44	46
Above 960	49.54	54

- Detector Function : Peak , Average

FREQUENCY (MHz)	Class A (dBuV/m) (at 3m)		Class B (dBuV/m) (at 3m)	
	Peak	Average	Peak	Average
Above 1000	79.3	59.3	73.9	53.9

CISPR 22 Limit:

- Detector Function : Quasi – Peak

FREQUENCY (MHz)	Class A (at 10m)	Class B (at 10m)
	dBuV/m	dBuV/m
30-230	40	30
230-1000	47	37

NOTE 1 The lower limit shall apply at the transition frequency.

NOTE 2 Additional provisions may be required for cases where interference occurs.

FREQUENCY (GHz)	Class A (dBuV/m) (at 3m)		Class B (dBuV/m) (at 3m)	
	Average	Peak	Average	Peak
1~3	56	76	50	70
3~6	60	80	54	74

NOTE The lower limit applies at the transition frequency.

Unless otherwise stated the results shown in this test report refer only to the sample(s) tested and such sample(s) are retained for 90 days only.

除非另有說明，此報告結果僅對測試之樣品負責，同時此樣品僅保留90天。本報告未經本公司書面許可，不可部份複製。

This document is issued by the Company subject to its General Conditions of Service printed overleaf, available on request or accessible at www.sgs.com/terms_and_conditions.htm and for electronic format documents, subject to Terms and Conditions for Electronic Documents at www.sgs.com/terms_e-document.htm. Attention is drawn to the limitation of liability, indemnification and jurisdiction issues defined therein. Any holder of this document is advised that information contained hereon reflects the Company's findings at the time of its intervention only and within the limits of Client's instructions, if any. The Company's sole responsibility is to its Client and this document does not exonerate parties to a transaction from exercising all their rights and obligations under the transaction documents. This document cannot be reproduced except in full, without prior written approval of the Company. Any unauthorized alteration, forgery or falsification of the content or appearance of this document is unlawful and offenders may be prosecuted to the fullest extent of the law.

2.4. Test of Conducted Emission

2.4.1 Test Equipments

SGS Conducted_Emission HWAYA Conducted Room No.A_EMC					
EQUIPMENT TYPE	Manufacturer	Model Number	Serial Number	Calibration Date	Calibration Due
EMI Test Receiver	R&S	ESCI 3	101311	2017/6/23	2018/6/22
Coaxial Cables	EMC Instruments Corp	EMCRG58-BM-BM-3000	160812	2017/8/30	2018/8/29
LISN	SCHWARZBECK	NSLK 8127	8127-648	2017/6/18	2018/6/17
Pulse Limiter	Narda S.T.S.	PMM PL01	1110X30602	2017/8/12	2018/8/11
LISN	Schwarzbeck	NSLK 8128	NSLK8128-300	2017/9/4	2018/9/3
ISN	TESEQ	ISN T800	34384	2017/3/23	2018/3/22
Test S/W	Farad	EZ-EMC	Ver. SGS-03A2	N.C.R.	N.C.R.

SGS Taiwan LTD. Electronics & Communication Laboratory
No.2, Keji 1st Rd., Guishan Dist., Taoyuan City 333, Taiwan (R.O.C.)
Measurement Uncertainty of Conducted Emission
Expanded uncertainty (K=2) of conducted emission is 2.25 dB
Expanded uncertainty (K=2) of ISN conducted emission is 2.57 dB

2.4.2 Operating Environment

Temperature : 25 degree C

Humidity : 59 %RH

Atmospheric Pressure : 992 mBar

2.4.3 Measurement Level Calculation

Factor = LISN insertion loss + Cable loss+ Pulse Limiter Insertion Loss

Measurement Level = Reading Level + Factor

Over (Margin) = Measurement Level – Limit

Unless otherwise stated the results shown in this test report refer only to the sample(s) tested and such sample(s) are retained for 90 days only.

除非另有說明，此報告結果僅對測試之樣品負責，同時此樣品僅保留90天。本報告未經本公司書面許可，不可部份複製。

This document is issued by the Company subject to its General Conditions of Service printed overleaf, available on request or accessible at www.sgs.com/terms_and_conditions.htm and for electronic format documents, subject to Terms and Conditions for Electronic Documents at www.sgs.com/terms_e-document.htm. Attention is drawn to the limitation of liability, indemnification and jurisdiction issues defined therein. Any holder of this document is advised that information contained hereon reflects the Company's findings at the time of its intervention only and within the limits of Client's instructions, if any. The Company's sole responsibility is to its Client and this document does not exonerate parties to a transaction from exercising all their rights and obligations under the transaction documents. This document cannot be reproduced except in full, without prior written approval of the Company. Any unauthorized alteration, forgery or falsification of the content or appearance of this document is unlawful and offenders may be prosecuted to the fullest extent of the law.

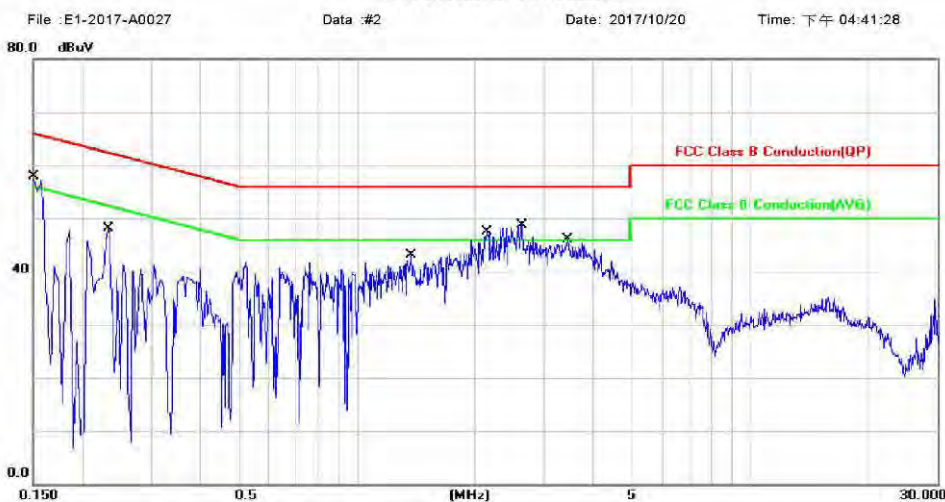
2.4.4 Measurement Data:

Model No.:MRC-W10, MRC-W50, MRC-W60

Mode_1_L

Site : Conduction Room Phase: **L1** Temperature: 25 °C
Limit: FCC Class B Conduction(QP) Power: AC 120V/60Hz Humidity: 59 %
Mode: Mode_1
Note:

Conducted Emission



No.	Mk.	Freq.	Reading Level	Correct Factor	Measurement	Limit	Over	Detector	Comment
		MHz	dBuV	dB	dBuV	dBuV	dB		
1	*	0.1500	55.80	0.24	56.04	66.00	-9.96	QP	
2		0.1500	40.30	0.24	40.54	56.00	-15.46	AVG	
3		0.2340	44.00	0.23	44.23	62.31	-18.08	QP	
4		0.2340	26.20	0.23	26.43	52.31	-25.88	AVG	
5		1.3740	39.57	0.34	39.91	56.00	-16.09	QP	
6		1.3740	25.60	0.34	25.94	46.00	-20.06	AVG	
7		2.1540	40.29	0.46	40.75	56.00	-15.25	QP	
8		2.1540	28.16	0.46	28.62	46.00	-17.38	AVG	
9		2.6300	41.30	0.52	41.82	56.00	-14.18	QP	
10		2.6300	29.81	0.52	30.33	46.00	-15.67	AVG	
11		3.4420	39.37	0.64	40.01	56.00	-15.99	QP	
12		3.4420	29.48	0.64	30.12	46.00	-15.88	AVG	

*:Maximum data x:Over limit !:over margin

File :E1-2017-A0027\Data :#2

Page: 1

Unless otherwise stated the results shown in this test report refer only to the sample(s) tested and such sample(s) are retained for 90 days only.

除非另有說明，此報告結果僅對測試之樣品負責，同時此樣品僅保留90天。本報告未經本公司書面許可，不可部份複製。

This document is issued by the Company subject to its General Conditions of Service printed overleaf, available on request or accessible at www.sgs.com/terms_and_conditions.htm and for electronic format documents, subject to Terms and Conditions for Electronic Documents at www.sgs.com/terms_e-document.htm. Attention is drawn to the limitation of liability, indemnification and jurisdiction issues defined therein. Any holder of this document is advised that information contained hereon reflects the Company's findings at the time of its intervention only and within the limits of Client's instructions, if any. The Company's sole responsibility is to its Client and this document does not exonerate parties to a transaction from exercising all their rights and obligations under the transaction documents. This document cannot be reproduced except in full, without prior written approval of the Company. Any unauthorized alteration, forgery or falsification of the content or appearance of this document is unlawful and offenders may be prosecuted to the fullest extent of the law.

SGS Taiwan Ltd.

No.134,Wu Kung Road, New Taipei Industrial Park, Wuku District, New Taipei City, Taiwan 24803/新北市五股區新北產業園區五工路 134 號

台灣檢驗科技股份有限公司

t (886-2) 2299-3279

f (886-2) 2298-0488

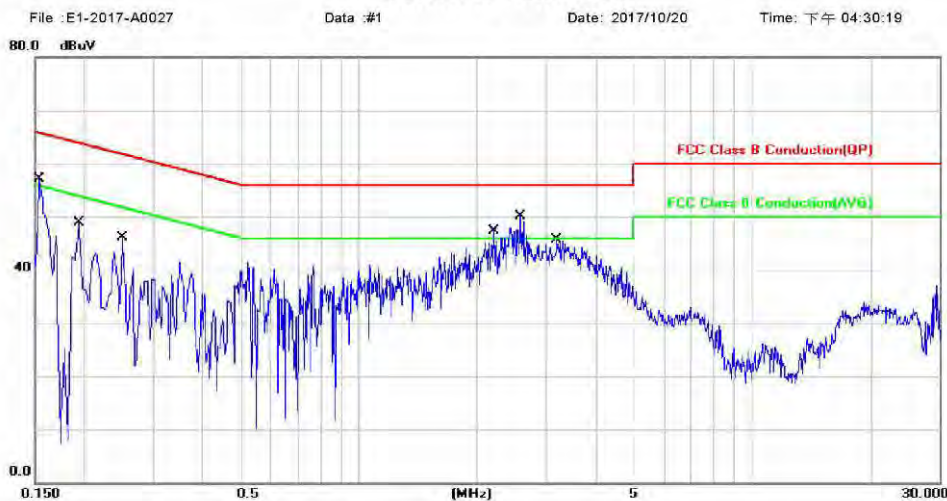
www.tw.sgs.com

Member of SGS Group

Mode_1_N

Site : Conduction Room Phase: **N** Temperature: 25 °C
Limit: FCC Class B Conduction(QP) Power: AC 120V/60Hz Humidity: 59 %
Mode: Mode_1
Note:

Conducted Emission



No.	Mk.	Freq.	Reading Level	Correct Factor	Measurement	Limit	Over	Detector	Comment
		MHz	dBuV	dB	dBuV	dBuV	dB		
1	*	0.1540	52.69	0.32	53.01	65.78	-12.77	QP	
2		0.1540	30.77	0.32	31.09	55.78	-24.69	AVG	
3		0.1940	45.58	0.31	45.89	63.86	-17.97	QP	
4		0.1940	18.70	0.31	19.01	53.86	-34.85	AVG	
5		0.2500	36.69	0.31	37.00	61.76	-24.76	QP	
6		0.2500	12.62	0.31	12.93	51.76	-38.83	AVG	
7		2.2100	38.90	0.46	39.36	56.00	-16.64	QP	
8		2.2100	26.86	0.46	27.32	46.00	-18.68	AVG	
9		2.5900	42.33	0.50	42.83	56.00	-13.17	QP	
10		2.5900	28.84	0.50	29.34	46.00	-16.66	AVG	
11		3.1900	41.00	0.54	41.54	56.00	-14.46	QP	
12		3.1900	29.31	0.54	29.85	46.00	-16.15	AVG	

*:Maximum data x:Over limit !:over margin

File :E1-2017-A0027>Data :#1

Page: 1

Unless otherwise stated the results shown in this test report refer only to the sample(s) tested and such sample(s) are retained for 90 days only.

除非另有說明，此報告結果僅對測試之樣品負責，同時此樣品僅保留90天。本報告未經本公司書面許可，不可部份複製。

This document is issued by the Company subject to its General Conditions of Service printed overleaf, available on request or accessible at www.sgs.com/terms_and_conditions.htm and for electronic format documents, subject to Terms and Conditions for Electronic Documents at www.sgs.com/terms_e-document.htm. Attention is drawn to the limitation of liability, indemnification and jurisdiction issues defined therein. Any holder of this document is advised that information contained hereon reflects the Company's findings at the time of its intervention only and within the limits of Client's instructions, if any. The Company's sole responsibility is to its Client and this document does not exonerate parties to a transaction from exercising all their rights and obligations under the transaction documents. This document cannot be reproduced except in full, without prior written approval of the Company. Any unauthorized alteration, forgery or falsification of the content or appearance of this document is unlawful and offenders may be prosecuted to the fullest extent of the law.

2.5 Test of Radiated Emission

2.5.1 Test Equipments

Below 1GHz

SGS Radiated_Below_1GHz HWAYA 10m EMC					
EQUIPMENT TYPE	Manufacturer	Model Number	Serial Number	Calibration Date	Calibration Due
EMI Test Receiver	R&S	ESCI 7	100950	2016/12/7	2017/12/6
EMI Test Receiver	R&S	ESCI 3	101343	2016/12/21	2017/12/20
Broadband Antenna	SCHWAZBECK	VULB9168	9168-628	2017/9/8	2018/9/7
Broadband Antenna	SCHWAZBECK	VULB9168	9168-629	2017/9/12	2018/9/11
Pre Amplifier	EMC Instruments Corp.	EMC330	980178	2017/3/31	2018/3/30
Pre Amplifier	EMC Instruments Corp.	EMC330	980179	2017/3/31	2018/3/30
Coaxial Cable	EMC Instruments	EMCCFD400-NM-NM	150917	2017/9/18	2018/9/17
Coaxial Cable	EMC Instruments	EMCCFD400-NM-NM	150919	2017/9/18	2018/9/17
Coaxial Cable	EMC Instruments	EMCCFD400-NM-NM	150820	2017/9/18	2018/9/17
Coaxial Cable	EMC Instruments	EMCCFD400-NM-NM	150918	2017/9/18	2018/9/17
Coaxial Cable	EMC Instruments	EMCCFD400-NM-NM	150821	2017/9/18	2018/9/17
Coaxial Cable	EMC Instruments	EMCCFD400-NM-NM	150822	2017/9/18	2018/9/17
Controller	MF	MF-7802	N/A	N.C.R.	N.C.R.
Controller	MF	MF-7802	N/A	N.C.R.	N.C.R.
Antenna Master	MF	N/A	N/A	N.C.R.	N.C.R.
Antenna Master	MF	N/A	N/A	N.C.R.	N.C.R.
Antenna Master	MF	N/A	N/A	N.C.R.	N.C.R.
Turn Table	MF	N/A	N/A	N.C.R.	N.C.R.
Site NSA	Chance Most	10M Chamber	10M SAC	2016/12/31	2017/12/31
Test S/W	Farad	EZ-EMC	Ver. SGS-03A2	N.C.R.	N.C.R.

SGS Taiwan LTD. Electronics & Communication Laboratory
No.2, Keji 1st Rd., Guishan Dist., Taoyuan City 333, Taiwan (R.O.C.)
Measurement Uncertainty of Radiated Emission
Expanded uncertainty of radiated emission is 4.09 dB. (30MHz ~ 1000MHz)

Unless otherwise stated the results shown in this test report refer only to the sample(s) tested and such sample(s) are retained for 90 days only.

除非另有說明，此報告結果僅對測試之樣品負責，同時此樣品僅保留90天。本報告未經本公司書面許可，不可部份複製。

This document is issued by the Company subject to its General Conditions of Service printed overleaf, available on request or accessible at www.sgs.com/terms_and_conditions.htm and for electronic format documents, subject to Terms and Conditions for Electronic Documents at www.sgs.com/terms_e-document.htm. Attention is drawn to the limitation of liability, indemnification and jurisdiction issues defined therein. Any holder of this document is advised that information contained hereon reflects the Company's findings at the time of its intervention only and within the limits of Client's instructions, if any. The Company's sole responsibility is to its Client and this document does not exonerate parties to a transaction from exercising all their rights and obligations under the transaction documents. This document cannot be reproduced except in full, without prior written approval of the Company. Any unauthorized alteration, forgery or falsification of the content or appearance of this document is unlawful and offenders may be prosecuted to the fullest extent of the law.

Above 1GHz

SGS Radiated_Above_1GHz HWAYA 966A_EMC					
EQUIPMENT TYPE	Manufacturer	Model Number	Serial Number	Calibration Date	Calibration Due
Spectrum Analyzer	R&S	FSV 40	101419	2017/3/1	2018/2/28
EMI Test Receiver	R&S	ESR 7	101459	2017/2/17	2018/2/16
Horn Antenna	SCHWARZBECK	BBHA9120D	BBHA9120D673	2017/10/16	2018/10/15
Horn Antenna	Schwarzbeck	BBHA9170	BBHA9170-184	2016/12/12	2017/12/11
Pre Amplifier	EMC Instruments Corp.	EMC012645B	980216	2017/4/25	2018/4/24
Pre Amplifier	EMC Instruments Corp.	EMC184045B	980135	2016/10/27	2017/10/26
Coaxial Cable	JUNFLOW	MWX221-NMSNMS	J0778929	2017/4/23	2018/4/22
Coaxial Cable	Huber+Suhner	SUCCOFLEX 104PEA	30255/4PEA	2017/4/23	2018/4/22
Coaxial Cable	EMC Instruments	EMC104-SM-SM	140927	2017/4/23	2018/4/22
Coaxial Cable	Huber+Suhner	SUCOFLEX 102	MY 2152/2	2017/6/5	2018/6/4
Coaxial Cable	Huber+Suhner	SUCOFLEX 102	MY 2153/2	2017/6/5	2018/6/4
Controller	MF	MF-7802	N.C.R.	N.C.R.	N.C.R.
Antenna Master	MF	N/A	N/A	N.C.R.	N.C.R.
Turn Table	MF	N/A	N/A	N.C.R.	N.C.R.
Site VSWR	SGS	966 Chamber A	SAC-A	2017/1/12	2018/1/11
Test S/W	Farad	EZ-EMC	Ver. SGS-03A2	N.C.R.	N.C.R.

SGS Taiwan LTD. Electronics & Communication Laboratory
No.2, Keji 1st Rd., Guishan Dist., Taoyuan City 333, Taiwan (R.O.C.)
Measurement Uncertainty of Radiated Emission
Expanded uncertainty (k=2) of radiated emission measurement is 5.05 dB. (1-6GHz)
Expanded uncertainty (k=2) of radiated emission measurement is 5.07 dB. (6-18GHz)
Expanded uncertainty (k=2) of radiated emission measurement is 5.19 dB. (18-26GHz)
Expanded uncertainty (k=2) of radiated emission measurement is 5.14 dB. (26-40GHz)

2.5.2 Operating Environment

Temperature : 25 degree C Humidity : 65 %RH
Atmospheric Pressure : 996 mBar

2.5.3 Measurement Level Calculation

Correction Factor = Antenna Factor + Cable loss- Amplifier Gain
Measurement Level = Reading Level + Correction Factor
Over (Margin) = Measurement Level – Limit

Unless otherwise stated the results shown in this test report refer only to the sample(s) tested and such sample(s) are retained for 90 days only.
除非另有說明，此報告結果僅對測試之樣品負責，同時此樣品僅保留90天。本報告未經本公司書面許可，不可部份複製。

This document is issued by the Company subject to its General Conditions of Service printed overleaf, available on request or accessible at www.sgs.com/terms_and_conditions.htm and for electronic format documents, subject to Terms and Conditions for Electronic Documents at www.sgs.com/terms_e-document.htm. Attention is drawn to the limitation of liability, indemnification and jurisdiction issues defined therein. Any holder of this document is advised that information contained hereon reflects the Company's findings at the time of its intervention only and within the limits of Client's instructions, if any. The Company's sole responsibility is to its Client and this document does not exonerate parties to a transaction from exercising all their rights and obligations under the transaction documents. This document cannot be reproduced except in full, without prior written approval of the Company. Any unauthorized alteration, forgery or falsification of the content or appearance of this document is unlawful and offenders may be prosecuted to the fullest extent of the law.

2.5.4 Measurement Data

Below 1GHz

Model No.:MRC-W10, MRC-W50, MRC-W60

Mode_1_H

Site: SGS 10m Chamber	Polarization: <i>Horizontal</i>	Temperature: 25 °C
Limit: CISPR22 Class B 10M Radiation	Power: AC 120V/60Hz	Humidity: 65 %
Mode: Mode_1	Distance: 10m	
Note: WiFi 5G+BT+USB HDD R/W+EAR+Camera		

Radiated Emission



No.	Mk.	Freq. MHz	Reading Level dBuV	Correct Factor dB/m	Measure- ment dBuV/m	Limit dBuV/m	Over dB	Detector	Comment
1		135.3000	33.17	-12.19	20.98	30.00	-9.02	QP	
2		452.1800	37.31	-6.44	30.87	37.00	-6.13	QP	
3	!	593.4300	36.36	-3.44	32.92	37.00	-4.08	QP	
4	!	791.2300	33.10	-0.26	32.84	37.00	-4.16	QP	
5	!	890.0900	31.56	0.50	32.06	37.00	-4.94	QP	
6	*	989.0100	31.31	1.62	32.93	37.00	-4.07	QP	

*:Maximum data x:Over limit !:over margin

File :A0027\Data #10

Page: 1

Unless otherwise stated the results shown in this test report refer only to the sample(s) tested and such sample(s) are retained for 90 days only.

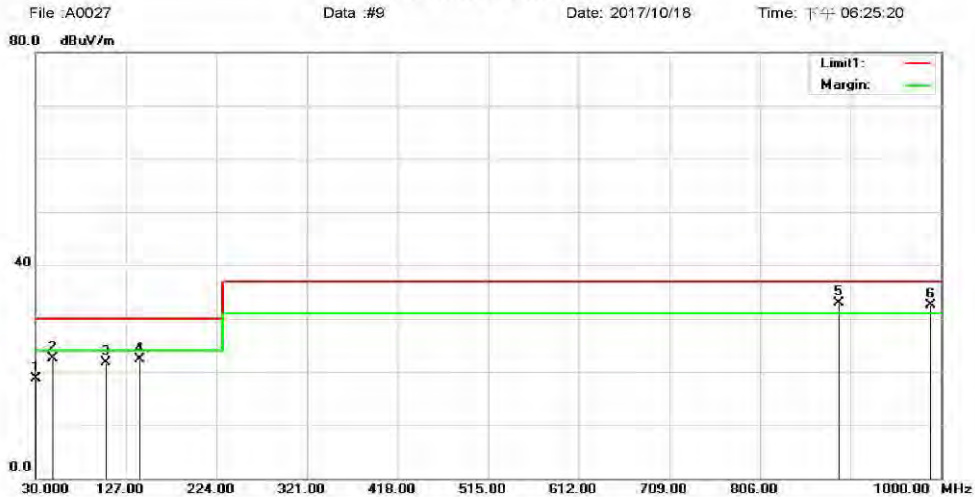
除非另有說明，此報告結果僅對測試之樣品負責，同時此樣品僅保留90天。本報告未經本公司書面許可，不可部份複製。

This document is issued by the Company subject to its General Conditions of Service printed overleaf, available on request or accessible at www.sgs.com/terms_and_conditions.htm and for electronic format documents, subject to Terms and Conditions for Electronic Documents at www.sgs.com/terms_e-document.htm. Attention is drawn to the limitation of liability, indemnification and jurisdiction issues defined therein. Any holder of this document is advised that information contained hereon reflects the Company's findings at the time of its intervention only and within the limits of Client's instructions, if any. The Company's sole responsibility is to its Client and this document does not exonerate parties to a transaction from exercising all their rights and obligations under the transaction documents. This document cannot be reproduced except in full, without prior written approval of the Company. Any unauthorized alteration, forgery or falsification of the content or appearance of this document is unlawful and offenders may be prosecuted to the fullest extent of the law.

Mode_1_V

Site SGS 10m Chamber Polarization: **Vertical** Temperature: 25 °C
 Limit: CISPR22 Class B 10M Radiation Power: AC 120V/60Hz Humidity: 65 %
 Mode: Mode_1 Distance: 10m
 Note: WiFi 5G+BT+USB HDD R/W+EAR+Camera

Radiated Emission



No.	Mk.	Freq.	Reading Level	Correct Factor	Measurement	Limit	Over	Detector	Comment
		MHz	dBuV	dB/m	dBuV/m	dBuV/m	dB		
1		30.7600	31.20	-12.42	18.78	30.00	-11.22	QP	
2		48.1600	33.24	-10.76	22.48	30.00	-7.52	QP	
3		104.8600	36.80	-15.07	21.73	30.00	-8.27	QP	
4		140.6500	33.72	-11.47	22.25	30.00	-7.75	QP	
5	*	890.1100	32.28	0.64	32.92	37.00	-4.08	QP	
6	!	989.0100	30.98	1.49	32.47	37.00	-4.53	QP	

*:Maximum data x:Over limit !:over margin

File :A0027\Data #9

Page: 1

Unless otherwise stated the results shown in this test report refer only to the sample(s) tested and such sample(s) are retained for 90 days only.

除非另有說明，此報告結果僅對測試之樣品負責，同時此樣品僅保留90天。本報告未經本公司書面許可，不可部份複製。

This document is issued by the Company subject to its General Conditions of Service printed overleaf, available on request or accessible at www.sgs.com/terms_and_conditions.htm and for electronic format documents, subject to Terms and Conditions for Electronic Documents at www.sgs.com/terms_e-document.htm. Attention is drawn to the limitation of liability, indemnification and jurisdiction issues defined therein. Any holder of this document is advised that information contained hereon reflects the Company's findings at the time of its intervention only and within the limits of Client's instructions, if any. The Company's sole responsibility is to its Client and this document does not exonerate parties to a transaction from exercising all their rights and obligations under the transaction documents. This document cannot be reproduced except in full, without prior written approval of the Company. Any unauthorized alteration, forgery or falsification of the content or appearance of this document is unlawful and offenders may be prosecuted to the fullest extent of the law.

Above 1GHz

Model No.:MRC-W10, MRC-W50, MRC-W60

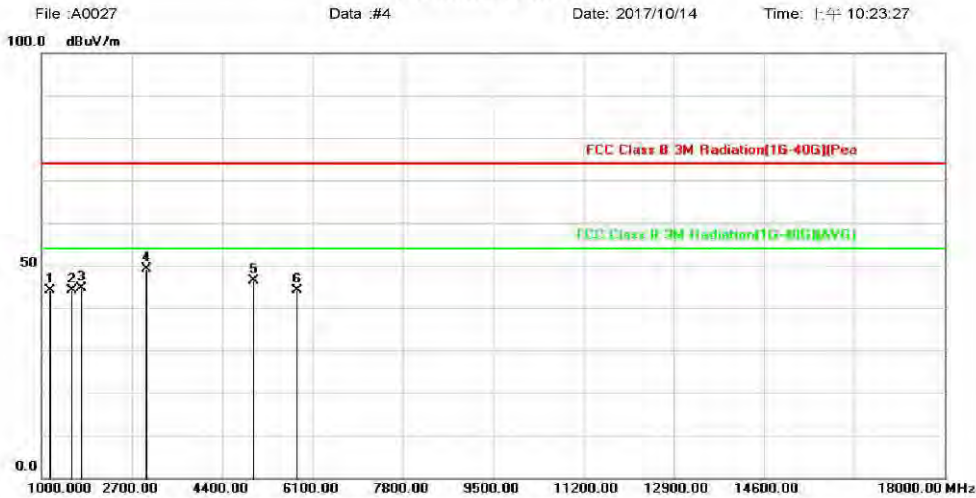
Mode_1_H

Site: SGS 966 Chamber A
Limit: FCC Class B 3M Radiation(1G-40G)(Pea)
Mode: Mode_1
Note:

Polarization: *Horizontal*
Power: AC 120V/60Hz
Distance:

Temperature: 24 ℃
Humidity: 75 %

Radiated Emission



No.	Mk.	Freq. MHz	Reading Level dBuV	Correct Factor dB/m	Measure- ment dBuV/m	Limit dBuV/m	Over dB	Detector	Comment
1		1170.000	69.27	-25.03	44.24	74.00	-29.76	peak	
2		1578.000	67.90	-23.67	44.23	74.00	-29.77	peak	
3		1765.000	67.81	-23.10	44.71	74.00	-29.29	peak	
4	*	2989.000	69.23	-19.99	49.24	74.00	-24.76	peak	
5		4995.000	61.51	-15.01	46.50	74.00	-27.50	peak	
6		5811.000	57.76	-13.53	44.23	74.00	-29.77	peak	

*:Maximum data x:Over limit !:over margin

File :A0027\Data #4

Page: 1

Unless otherwise stated the results shown in this test report refer only to the sample(s) tested and such sample(s) are retained for 90 days only.

除非另有說明，此報告結果僅對測試之樣品負責，同時此樣品僅保留90天。本報告未經本公司書面許可，不可部份複製。

This document is issued by the Company subject to its General Conditions of Service printed overleaf, available on request or accessible at www.sgs.com/terms_and_conditions.htm and for electronic format documents, subject to Terms and Conditions for Electronic Documents at www.sgs.com/terms_e-document.htm. Attention is drawn to the limitation of liability, indemnification and jurisdiction issues defined therein. Any holder of this document is advised that information contained hereon reflects the Company's findings at the time of its intervention only and within the limits of Client's instructions, if any. The Company's sole responsibility is to its Client and this document does not exonerate parties to a transaction from exercising all their rights and obligations under the transaction documents. This document cannot be reproduced except in full, without prior written approval of the Company. Any unauthorized alteration, forgery or falsification of the content or appearance of this document is unlawful and offenders may be prosecuted to the fullest extent of the law.

Mode_1_V

Site SGS 966 Chamber A
Limit: FCC Class B 3M Radiation(1G-40G)(Pea
Mode: Mode_1
Note:

Polarization: **Vertical**
Power: AC 120V/60Hz
Distance:

Temperature: 24 °C
Humidity: 75 %

Radiated Emission

File :A0027 Data #3 Date: 2017/10/14 Time: 上午 10:16:41



No.	Mk.	Freq. MHz	Reading Level dBuV	Correct Factor dB/m	Measure- ment dBuV/m	Limit dBuV/m	Over dB	Detector	Comment
1	*	1476.000	75.05	-23.98	51.07	74.00	-22.93	peak	
2		1782.000	65.86	-23.06	42.80	74.00	-31.20	peak	
3		2190.000	63.35	-21.66	41.69	74.00	-32.31	peak	
4		2989.000	67.79	-19.99	47.80	74.00	-26.20	peak	
5		3992.000	80.18	-16.63	43.55	74.00	-30.45	peak	
6		4978.000	60.90	-15.07	45.83	74.00	-28.17	peak	

*:Maximum data x:Over limit !:over margin

File :A0027\Data #3

Page: 1

**** End of Report ****

Unless otherwise stated the results shown in this test report refer only to the sample(s) tested and such sample(s) are retained for 90 days only.

除非另有說明，此報告結果僅對測試之樣品負責，同時此樣品僅保留90天。本報告未經本公司書面許可，不可部份複製。

This document is issued by the Company subject to its General Conditions of Service printed overleaf, available on request or accessible at www.sgs.com/terms_and_conditions.htm and for electronic format documents, subject to Terms and Conditions for Electronic Documents at www.sgs.com/terms_e-document.htm. Attention is drawn to the limitation of liability, indemnification and jurisdiction issues defined therein. Any holder of this document is advised that information contained hereon reflects the Company's findings at the time of its intervention only and within the limits of Client's instructions, if any. The Company's sole responsibility is to its Client and this document does not exonerate parties to a transaction from exercising all their rights and obligations under the transaction documents. This document cannot be reproduced except in full, without prior written approval of the Company. Any unauthorized alteration, forgery or falsification of the content or appearance of this document is unlawful and offenders may be prosecuted to the fullest extent of the law.