

FCC CERTIFICATION REPORT

Canada ISED ICES-003 TEST REPORT

Test Report No. : E7/2017/C0006

Applicant : Huawei Technologies Co., Ltd.

Address : Administration Building, Headquarters of Huawei Technologies Co., Ltd., Bantian, Longgang District, Shenzhen, 518129, China (For FCC)
Administration Building, Headquarters of Huawei Technologies Co., Ltd., Bantian, Longgang District, Shenzhen, 518129, China (Peoples Republic Of) (For IC)

Manufacturer : Huawei Technologies Co., Ltd.

Address : Administration Building, Headquarters of Huawei Technologies Co., Ltd., Bantian, Longgang District, Shenzhen, 518129, China (For FCC)
Administration Building, Headquarters of Huawei Technologies Co., Ltd., Bantian, Longgang District, Shenzhen, 518129, China (Peoples Republic Of) (For IC)

Equipment Under Test (EUT) :

Product Name : HUAWEI MateBook

Brand Name : HUAWEI; honor

Model No. : KPL-W00

Added Model(s) : KPL-W09

Standards : FCC Part 15:2017, Subpart B, Class B
Canada ICES-003 Issue 6(June 2016), Class B

Date of Receipt : Dec. 04, 2017

Date of Test : Dec. 04 ~ 25, 2017

Date of Issue : Jan. 03, 2018

Test Result :	PASS
----------------------	-------------

In the configuration tested, the EUT complied with the standards specified above.

Remarks :

This report details the results of the testing carried out on one sample, the results contained in this test report do not relate to other samples of the same product. The manufacturer should ensure that all products in series production are in conformity with the product sample detailed in this report.

This report shall not be reproduced except in full, without the written approval of the laboratory. If the product in this report is used in any configuration other than that detailed in the report, the manufacturer must ensure the new system complies with all relevant standards.

Tested By: Bill Cheng
Bill Cheng (Engineer)

Date: Jan. 03, 2018

Approved By: Tony Hsu
**Tony Hsu
(Assistant Supervisor)**

Date: Jan. 03, 2018





Revision History

Report Number	Revision	Description	Issue Date
E7/2017/C0006	Rev.00	Initial creation of document	Jan. 03, 2018

Copyright of this verification is owned by SGS Taiwan LTD. Electronics & Communication Laboratory and may not be reproduced except in full and with the prior approval of the Manager of SGS Taiwan Ltd. Electronics & Communication Laboratory.

This document is issued by the Company subject to its General Conditions of Service printed overleaf, available on request or accessible at www.sgs.com/terms_and_conditions.htm and, for electronic format documents, subject to Terms and Conditions for Electronic Documents at www.sgs.com/terms_e-document.htm. Attention is drawn to the limitation of liability, indemnification and jurisdiction issues defined therein. Any holder of this document is advised that information contained hereon reflects the Company's findings at the time of its intervention only and within the limits of Client's instructions, if any. The Company's sole responsibility is to its Client and this document does not exonerate parties to a transaction from exercising all their rights and obligations under the transaction documents. This document cannot be reproduced except in full, without prior written approval of the Company. Any unauthorized alteration, forgery or falsification of the content or appearance of this document is unlawful and offenders may be prosecuted to the fullest extent of the law.

Contents

1. GENERAL INFORMATION	4
1.1 APPLICANT & MANUFACTURER INFORMATION	4
1.2 GENERAL DESCRIPTION OF EUT	4
1.3 DETAILS OF EUT	5
1.4 THE WORST CASE OF THE EUT	6
1.5 DESCRIPTION OF SUPPORT UNITS	7
1.6 OPERATION PROCEDURE	7
1.7 MODIFICATION LIST	7
1.8 TEST SET-UP CONFIGURATION.....	8
1.9 ACCESSORIES CABLE LIST	8
1.10 MEASUREMENT PROCEDURE	9
1.11 STANDARDS APPLICABLE FOR TESTING	9
1.12 SUMMARY OF RESULTS	9
2. EMISSION	10
2.1 TEST RESULTS	10
2.2 FREQUENCY RANGE	10
2.3 LIMITS OF CONDUCTED AND RADIATED EMISSION.....	11
2.3.1 LIMITS OF CONDUCTED EMISSION.....	11
2.3.2 LIMITS OF RADIATED EMISSIONS.....	11
2.4. TEST OF CONDUCTED EMISSION	13
2.4.1 TEST EQUIPMENTS.....	13
2.4.2 OPERATING ENVIRONMENT	14
2.4.3 MEASUREMENT LEVEL CALCULATION.....	14
2.4.4 MEASUREMENT DATA:.....	15
2.5 TEST OF RADIATED EMISSION.....	17
2.5.1 TEST EQUIPMENTS.....	17
2.5.2 OPERATING ENVIRONMENT	19
2.5.3 MEASUREMENT LEVEL CALCULATION.....	19
2.5.4 MEASUREMENT DATA.....	20

Copyright of this verification is owned by SGS Taiwan LTD. Electronics & Communication Laboratory and may not be reproduced except in full and with the prior approval of the Manager of SGS Taiwan Ltd. Electronics & Communication Laboratory.

This document is issued by the Company subject to its General Conditions of Service printed overleaf, available on request or accessible at www.sgs.com/terms_and_conditions.htm and, for electronic format documents, subject to Terms and Conditions for Electronic Documents at www.sgs.com/terms_e-document.htm. Attention is drawn to the limitation of liability, indemnification and jurisdiction issues defined therein. Any holder of this document is advised that information contained hereon reflects the Company's findings at the time of its intervention only and within the limits of Client's instructions, if any. The Company's sole responsibility is to its Client and this document does not exonerate parties to a transaction from exercising all their rights and obligations under the transaction documents. This document cannot be reproduced except in full, without prior written approval of the Company. Any unauthorized alteration, forgery or falsification of the content or appearance of this document is unlawful and offenders may be prosecuted to the fullest extent of the law.

1. General Information

1.1 Applicant & Manufacturer Information

Applicant : Huawei Technologies Co., Ltd.
 Address : Administration Building, Headquarters of Huawei Technologies Co., Ltd., Bantian, Longgang District, Shenzhen, 518129, China (For FCC)
 Administration Building, Headquarters of Huawei Technologies Co., Ltd., Bantian, Longgang District, Shenzhen, 518129, China (Peoples Republic Of) (For IC)
 Manufacturer : Huawei Technologies Co., Ltd.
 Address : Administration Building, Headquarters of Huawei Technologies Co., Ltd., Bantian, Longgang District, Shenzhen, 518129, China (For FCC)
 Administration Building, Headquarters of Huawei Technologies Co., Ltd., Bantian, Longgang District, Shenzhen, 518129, China (Peoples Republic Of) (For IC)

1.2 General Description of EUT

Product Name : HUAWEI MateBook
 Brand Name : HUAWEI; honor
 Model No. : KPL-W00
 Added Model(s) : KPL-W09
 Model Difference : The marketing purposed

1.3 Details of EUT

Power Supply	AC100~240V	
Highest operate description	3.6 GHz	
Adapter	HUAWEI	HW-200325YYY(Y=0-9,A-Z or blank)
Adapter Power Rating	I/P: 100-240VAC, 50/60Hz, 1.8A O/P: 5VDC, 2A; 9VDC, 2A; 12VDC, 2A; 15VDC, 3A; 20VDC, 3.25A	
DC Power Cable Type	Shielded, 1.8m (Detachable) to Power Adapter	
Memory	on Board	
Graphics	Integrated Graphic	
CPU	AMD	Up to 3.6G
LCD Panel	BOE	TV14YYY-YYY(Y=0-9,A-Z or blank)
	AUO	B14YYYYYY.Y(Y=0-9,A-Z or blank)
	INNOLUX	N14YYYY-YYY(Y=0-9,A-Z or blank)
WLAN+BT	Intel	8265HUW
Storage	One PCIE/SATA storage Device	
Battery	One re-chargeable battery pack	
Camera	One Camera optional	

Copyright of this verification is owned by SGS Taiwan LTD. Electronics & Communication Laboratory and may not be reproduced except in full and with the prior approval of the Manager of SGS Taiwan Ltd. Electronics & Communication Laboratory.

This document is issued by the Company subject to its General Conditions of Service printed overleaf, available on request or accessible at www.sgs.com/terms_and_conditions.htm and, for electronic format documents, subject to Terms and Conditions for Electronic Documents at www.sgs.com/terms_e-document.htm. Attention is drawn to the limitation of liability, indemnification and jurisdiction issues defined therein. Any holder of this document is advised that information contained hereon reflects the Company's findings at the time of its intervention only and within the limits of Client's instructions, if any. The Company's sole responsibility is to its Client and this document does not exonerate parties to a transaction from exercising all their rights and obligations under the transaction documents. This document cannot be reproduced except in full, without prior written approval of the Company. Any unauthorized alteration, forgery or falsification of the content or appearance of this document is unlawful and offenders may be prosecuted to the fullest extent of the law.

Pre-test Mode

Mode	CPU	Panel	Main Board	Memory	SATA SSD / PCIE SSD	WLAN+BT	Battery	Adapter
1	AMD 2.0GHz Up to 3.6GHz	INNOLUX N140HCA-EAC	Quanta H96	8GB DDR4	Toshiba KXG50ZNV512G (512GB)	Intel 8265HUUW	Huawei HB4593R1ECW	Huawei HW-200325UP0
2	AMD 2.0GHz Up to 3.6GHz	AUO B140HAK03.0	Quanta H96	8GB DDR4	Lite-On CV8-8E128 (128GB)	Intel 8265HUUW	Huawei HB4593R1ECW	Huawei HW-200325UP0
3	AMD 2.0GHz Up to 3.6GHz	BOE TV14FHM-NH0	Quanta H96	8GB DDR4	Lite-On CV8-8E256 (256GB)	Intel 8265HUUW	Huawei HB4593R1ECW	Huawei HW-200325UP0
4	AMD 2.0GHz Up to 3.6GHz	INNOLUX N140HCA-EAC	Quanta H96	8GB DDR4	Lite-On CV8-8E512 (512GB)	Intel 8265HUUW	Huawei HB4593R1ECW	Huawei HW-200325UP0
5	AMD 2.0GHz Up to 3.6GHz	INNOLUX N140HCA-EAC	Quanta H96	8GB DDR4	Samsung MZNLN128HAHQ-00000 (128GB)	Intel 8265HUUW	Huawei HB4593R1ECW	Huawei HW-200325UP0
6	AMD 2.0GHz Up to 3.6GHz	INNOLUX N140HCA-EAC	Quanta H96	8GB DDR4	Samsung MZNLN256HAJQ-00000 (256GB)	Intel 8265HUUW	Huawei HB4593R1ECW	Huawei HW-200325UP0
7	AMD 2.0GHz Up to 3.6GHz	INNOLUX N140HCA-EAC	Quanta H96	8GB DDR4	Samsung MZNLN512HAJQ-00000 (512GB)	Intel 8265HUUW	Huawei HB4593R1ECW	Huawei HW-200325UP0
8	AMD 2.0GHz Up to 3.6GHz	INNOLUX N140HCA-EAC	Quanta H96	8GB DDR4	Micron MTFDDAV256TBN-1AR12ABYY (256GB)	Intel 8265HUUW	Huawei HB4593R1ECW	Huawei HW-200325UP0
9	AMD 2.0GHz Up to 3.6GHz	INNOLUX N140HCA-EAC	Quanta H96	8GB DDR4	Micron MTFDDAV512TBN-1AR12ABYY (512GB)	Intel 8265HUUW	Huawei HB4593R1ECW	Huawei HW-200325UP0
10	AMD 2.0GHz Up to 3.6GHz	INNOLUX N140HCA-EAC	Quanta H96	8GB DDR4	Sandisk SD9SN8W-128G-1027 (128GB)	Intel 8265HUUW	Huawei HB4593R1ECW	Huawei HW-200325UP0
11	AMD 2.0GHz Up to 3.6GHz	INNOLUX N140HCA-EAC	Quanta H96	8GB DDR4	Sandisk SD9SN8W-256G-1027 (256GB)	Intel 8265HUUW	Huawei HB4593R1ECW	Huawei HW-200325UP0
12	AMD 2.0GHz Up to 3.6GHz	INNOLUX N140HCA-EAC	Quanta H96	8GB DDR4	Sandisk SD9SN8W-512G-1027 (512GB)	Intel 8265HUUW	Huawei HB4593R1ECW	Huawei HW-200325UP0
13	AMD 2.0GHz Up to 3.6GHz	INNOLUX N140HCA-EAC	Quanta H96	8GB DDR4	Lite-On CA3-8D256 (256GB)	Intel 8265HUUW	Huawei HB4593R1ECW	Huawei HW-200325UP0
14	AMD 2.0GHz Up to 3.6GHz	INNOLUX N140HCA-EAC	Quanta H96	8GB DDR4	Lite-On CA3-8D512 (512GB)	Intel 8265HUUW	Huawei HB4593R1ECW	Huawei HW-200325UP0
15	AMD 2.0GHz Up to 3.6GHz	INNOLUX N140HCA-EAC	Quanta H96	8GB DDR4	Samsung MZVLW256HEHP-00000 (256GB)	Intel 8265HUUW	Huawei HB4593R1ECW	Huawei HW-200325UP0
16	AMD 2.0GHz Up to 3.6GHz	INNOLUX N140HCA-EAC	Quanta H96	8GB DDR4	Samsung MZVLB512HAJQ-00000 (512GB)	Intel 8265HUUW	Huawei HB4593R1ECW	Huawei HW-200325UP0
17	AMD 2.0GHz Up to 3.6GHz	INNOLUX N140HCA-EAC	Quanta H96	8GB DDR4	Toshiba KXG50ZNV256G (256GB)	Intel 8265HUUW	Huawei HB4593R1ECW	Huawei HW-200325UP0

1.4 The worst case of the EUT

EUT will be carried out in the worst case as followings:

Worst Case	
CE	Mode 1 (1366 x 768 Resolution)
RE	Mode 1 (1366 x 768 Resolution)

1.5 Description of Support Units

Mode 1:

PRODUCT	MANUFACTURER	MODEL NO.	SERIAL NO.
Monitor1 (HRE)	DELL	P2415Qb	CN-0GTTPW-74261-559-0AUL
Monitor (RE,CE)	ViewSonic	VS16024	U92152900233
Mouse	Logitech	M-U0026	810-003265
Earphone	htc	N/A	N/A
USB 3.0 HDD	Transcend	TS1TSJ25M3E	D56608-1239
AP	BUFFALO	WZR-HP-G300NH2	44066221202559[[G]]
Notebook	DELL	Latitude E6440	3VGS162
BT Speaker	Creative	MF8090	YFMF8090245R00855Y

Support Equipment Used in Tested Cable

Mode 1:

Cable Type	Core	Length	Shielding/Non-shielding
Mouse USB	N/A	1.8m	Shielding
HDD USB	N/A	0.5m	Shielding
Earphone	N/A	2.0m	Non-shielding
HDMI	N/A	1.8m	Shielding

1.6 Operation Procedure

Mode 1:

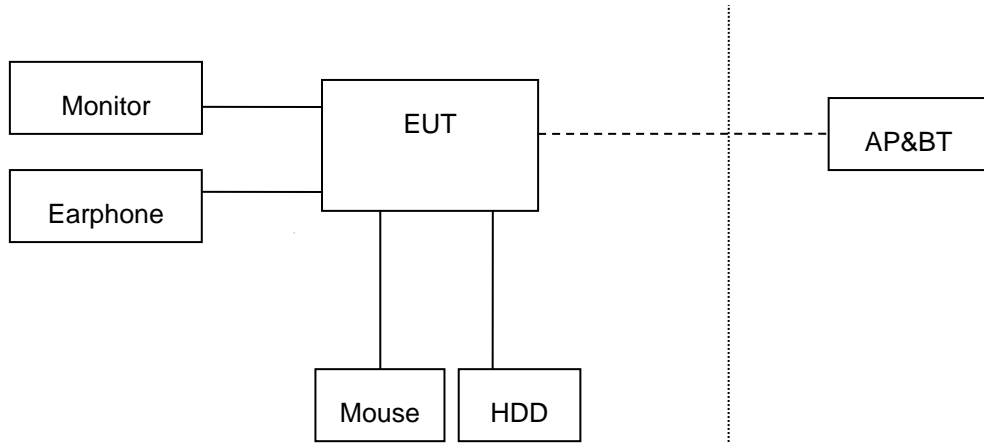
1. Turn on the power of all equipment.
2. The EUT communicates with Notebook PC by Bluetooth radio.
3. The EUT communicates with Wireless AP by WIFI radio.
4. The EUT read(s)/write(s) disk through Win EMC test software.
5. The EUT displays H pattern through Win EMC test software.
6. Executed AMCAP2 software to turn-on the CCD.
7. Setup the condition for test mode, and begin the test.

1.7 Modification List

No modification was made by SGS Taiwan Electronics & Communication Laboratory.

1.8 Test Set-Up Configuration

Mode 1



1.9 Accessories Cable List

See clause 1.3 of this report

1.10 Measurement Procedure

Conducted Emission Testing was performed according to ANSI C63.4:2014 in a shielded room with peripherals placed on a table, 0.8m high over a metal floor. It was located more than required distance away from the shielded room wall.

Radiated Emission Testing was performed according to ANSI C63.4:2014 at the 3/10m semi-anechoic chamber. The EUT was placed on a 0.8m high table along with the peripherals. The turn table was placed 10m distance from the antenna. Cables were placed in a position to produce maximum emissions as determined by experimentation, and operation mode was selected for production of maximum emission.

The frequencies and amplitudes of maximum emission were measured at varying azimuths, antenna heights and antenna polarities. Maximum emission levels are then reported.

1.11 Standards Applicable for Testing

Tests to be carried out under FCC Part 15, Subpart B/CISPR 22

Test Standards	Status
FCC Part 15, Subpart B	Applicable
Deviation from Standard	No deviation

1.12 Summary of Results

Highest Emission					
Standard	Test Type	Result	Phase/Pol.	Frequency(MHz)	Margin(dB)
FCC Part 15 Subpart B Class B	Conducted Emission	PASS	Line	0.1900	-19.07 (QP)
			Neutral	0.1540	-12.14 (QP)
Canada ICES-003 Issue 6 (June 2016),Class B	Radiated Emission	PASS	Hor.	64.9200	-4.60 (QP)

2. EMISSION

2.1 Test Results

	Results
Conducted Emission	Pass
Radiated Emission	Pass

2.2 Frequency Range

FCC Part 15, Subpart B:

Conducted Emission : 150 kHz - 30 MHz

Radiated Emission : See below table

Highest frequency generated or used in the device or on which the device operates or tunes (MHz) Upper frequency of measurement range (MHz)

Below 1.705	30
1.705 - 108	1000
108 - 500	2000
500 - 1000	5000
Above 1000	5th harmonic of the highest frequency or 40 GHz, whichever is lower

2.3 Limits of Conducted and Radiated Emission

2.3.1 Limits of Conducted Emission

FCC Part 15, Subpart B/CISPR 22:

FREQUENCY (MHz)	Class A (dBuV)		Class B (dBuV)	
	Quasi - peak	Average	Quasi - peak	Average
0.15 - 0.5	79	66	66 - 56	56 - 46
0.50 - 5.0	73	60	56	46
5.0 - 30.0	73	60	60	50

Note : (1) The lower limit shall apply at the transition frequencies.

(2) The limit decreases linearly with the logarithm of the frequency in the range 0.15 to 0.50 MHz.

(3) All emanation from a class A/B digital device or system, including any network of conductors and apparatus connected there to, shall not exceed the level of field strengths specified above.

2.3.2 Limits of Radiated Emissions

FCC Part 15, Subpart B Limit:

- Detector Function : Quasi – Peak

FREQUENCY (MHz)	Class A (at 10m)	Class B (at 3m)
	dBuV/m	dBuV/m
30~88	39	40
88~216	43.5	43.5
216~960	46.44	46
Above 960	49.54	54

- Detector Function : Peak , Average

FREQUENCY (MHz)	Class A (dBuV/m) (at 3m)		Class B (dBuV/m) (at 3m)	
	Peak	Average	Peak	Average
Above 1000-18000	79.3	59.3	73.9	53.9

CISPR 22 Limit:

- Detector Function : Quasi – Peak

FREQUENCY (MHz)	Class A (at 10m)	Class B (at 10m)
	dBuV/m	dBuV/m
30-230	40	30
230-1000	47	37

NOTE 1 The lower limit shall apply at the transition frequency.

NOTE 2 Additional provisions may be required for cases where interference occurs.

FREQUENCY (GHz)	Class A (dBuV/m) (at 3m)		Class B (dBuV/m) (at 3m)	
	Average	Peak	Average	Peak
1~3	56	76	50	70
3~6	60	80	54	74

NOTE The lower limit applies at the transition frequency.

2.4. Test of Conducted Emission

2.4.1 Test Equipments

SGS Conducted_Emission HWAYA Conducted Room No.B_EMC					
EQUIPMENT TYPE	Manufacturer	Model Number	Serial Number	Calibration Date	Calibration Due
EMI Test Receiver	R&S	ESCI 7	101459	2017/2/7	2018/2/6
Coaxial Cable	EMC Instruments Corp.	EMC5D-BM-BM-3000	1401004	2017/5/25	2018/5/24
LISN	TESEQ	NNB 51	36061	2017/3/7	2018/3/6
Pulse Limiter	R&S	ESH3Z2	102099	2017/6/8	2018/6/7
LISN	TESEQ	NNB 51	36062	2017/3/7	2018/3/6
ISN	TESEQ	NNB 51	36076	2017/2/24	2018/2/23
ISN	TESEQ	ISN T800	34384	2017/3/23	2018/3/22
ISN	TESEQ	ISN T8-Cat6	38889	2017/6/29	2018/6/28
ISN	TESEQ	ISN ST08	36271	2017/9/30	2018/9/29
Power Line Communication Tester	Pretronix	PLC 6001	202167	2017/3/7	2018/3/6
ISN	TESEQ	ISN PLT-A	38339	2017/3/30	2018/3/29
RF Current Probe	Schwarzbeck	SW 9605	SW 9605-138	2017/10/13	2018/10/12
Capacitive Voltage Probe	Schwarzbeck	CVP 9222	9222-031	2017/10/13	2018/10/12
High Voltage Probe	Schwarzbeck	TK 9420	TK 9420-5223	2017/3/8	2018/3/7
Communication Tester	R&S	CMU200	119988	2017/3/7	2018/3/6
Communication Tester	R&S	CMW500	152303	2017/2/23	2018/2/22
Communication Tester	Anritsu	MT8820C	6201465315	2016/12/29	2017/12/28
Test S/W	Farad	EZ-EMC	Ver. SGS-03A2	N.C.R.	N.C.R.

SGS Taiwan LTD. Electronics & Communication Laboratory
No.2, Keji 1st Rd., Guishan Dist., Taoyuan City 333, Taiwan (R.O.C.)
Measurement Uncertainty of Conducted Emission
Expanded uncertainty (K=2) of conducted emission is 2.25 dB
Expanded uncertainty (K=2) of ISN conducted emission is 2.57 dB



2.4.2 Operating Environment

Temperature : 22 degree C

Humidity : 54 %RH

Atmospheric Pressure : 992 mBar

2.4.3 Measurement Level Calculation

Factor = LISN insertion loss + Cable loss+ Pulse Limiter Insertion Loss

Measurement Level = Reading Level + Factor

Over (Margin) = Measurement Level – Limit

Copyright of this verification is owned by SGS Taiwan LTD. Electronics & Communication Laboratory and may not be reproduced except in full and with the prior approval of the Manager of SGS Taiwan Ltd. Electronics & Communication Laboratory.

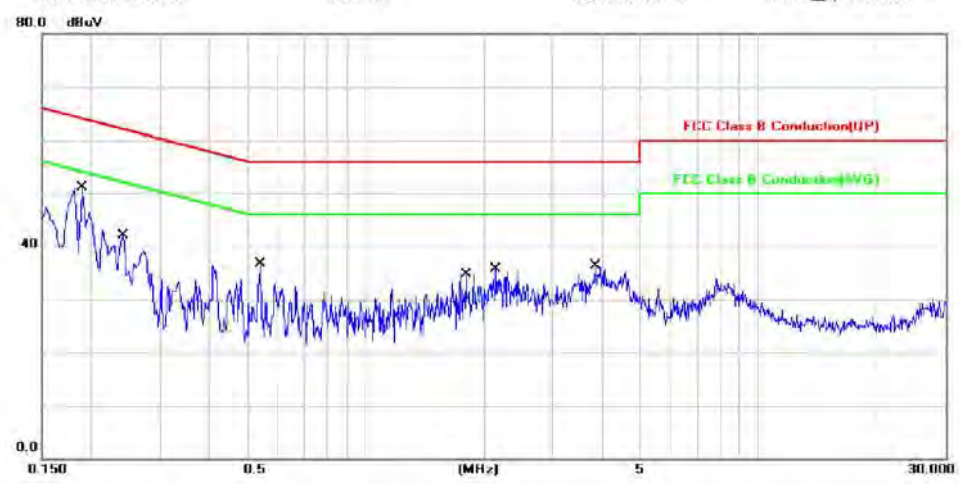
This document is issued by the Company subject to its General Conditions of Service printed overleaf, available on request or accessible at www.sgs.com/terms_and_conditions.htm and, for electronic format documents, subject to Terms and Conditions for Electronic Documents at www.sgs.com/terms_e-document.htm. Attention is drawn to the limitation of liability, indemnification and jurisdiction issues defined therein. Any holder of this document is advised that information contained hereon reflects the Company's findings at the time of its intervention only and within the limits of Client's instructions, if any. The Company's sole responsibility is to its Client and this document does not exonerate parties to a transaction from exercising all their rights and obligations under the transaction documents. This document cannot be reproduced except in full, without prior written approval of the Company. Any unauthorized alteration, forgery or falsification of the content or appearance of this document is unlawful and offenders may be prosecuted to the fullest extent of the law.

2.4.4 Measurement Data:

Model No.: KPL-W00
Mode_1_L

Site: Conduction Room Phase: L1 Temperature: 22 °C
Limit: FCC Class B Conduction(QP) Power: AC 120V/60Hz Humidity: 54 %
Mode: Mode_1
Note:

Conducted Emission
File :E7-2017-C0006 Data #1 Date: 2017/12/7 Time: 上午 11:33:59



No.	Mk.	Freq.	Reading Level	Correct Factor	Measurement	Limit	Over	Detector	Comment
		MHz	dBuV	dB	dBuV	dBuV	dB		
1	*	0.1900	25.48	19.49	44.97	64.04	-19.07	QP	
2		0.1900	9.44	19.49	28.93	54.04	-25.11	AVG	
3		0.2420	16.84	19.56	36.40	62.03	-25.63	QP	
4		0.2420	2.98	19.56	22.54	52.03	-29.49	AVG	
5		0.5420	12.73	19.96	32.69	56.00	-23.31	QP	
6		0.5420	3.88	19.96	23.84	46.00	-22.16	AVG	
7		1.8060	6.92	20.28	27.20	56.00	-28.80	QP	
8		1.8060	1.77	20.28	22.05	46.00	-23.95	AVG	
9		2.1540	9.21	20.40	29.61	56.00	-26.39	QP	
10		2.1540	1.52	20.40	21.92	46.00	-24.08	AVG	
11		3.8500	9.40	20.13	29.53	56.00	-26.47	QP	
12		3.8500	2.81	20.13	22.94	46.00	-23.06	AVG	

*:Maximum data x:Over limit l:over margin

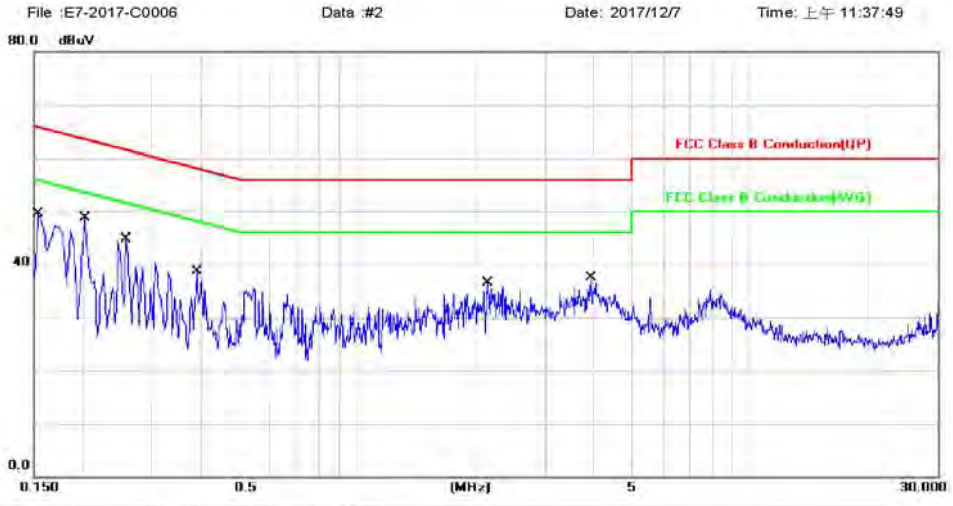
Copyright of this verification is owned by SGS Taiwan LTD. Electronics & Communication Laboratory and may not be reproduced except in full and with the prior approval of the Manager of SGS Taiwan Ltd. Electronics & Communication Laboratory.

This document is issued by the Company subject to its General Conditions of Service printed overleaf, available on request or accessible at www.sgs.com/terms_and_conditions.htm and, for electronic format documents, subject to Terms and Conditions for Electronic Documents at www.sgs.com/terms_e-document.htm. Attention is drawn to the limitation of liability, indemnification and jurisdiction issues defined therein. Any holder of this document is advised that information contained hereon reflects the Company's findings at the time of its intervention only and within the limits of Client's instructions, if any. The Company's sole responsibility is to its Client and this document does not exonerate parties to a transaction from exercising all their rights and obligations under the transaction documents. This document cannot be reproduced except in full, without prior written approval of the Company. Any unauthorized alteration, forgery or falsification of the content or appearance of this document is unlawful and offenders may be prosecuted to the fullest extent of the law.

Mode_1_N

Site: Conduction Room Phase: **N** Temperature: 22 °C
 Limit: FCC Class B Conduction(QP) Power: AC 120V/60Hz Humidity: 54 %
 Mode: Mode_1
 Note:

Conducted Emission



No.	Mk.	Freq.	Reading Level	Correct Factor	Measurement	Limit	Over	Detector	Comment
		MHz	dBuV	dB	dBuV	dBuV	dB		
1	*	0.1540	34.14	19.50	53.64	65.78	-12.14	QP	
2		0.1540	15.34	19.50	34.84	55.78	-20.94	AVG	
3		0.2020	22.84	19.49	42.33	63.53	-21.20	QP	
4		0.2020	7.58	19.49	27.07	53.53	-26.46	AVG	
5		0.2580	18.27	19.59	37.86	61.50	-23.64	QP	
6		0.2580	5.67	19.59	25.26	51.50	-26.24	AVG	
7		0.3900	12.47	19.81	32.28	58.06	-25.78	QP	
8		0.3900	3.13	19.81	22.94	48.06	-25.12	AVG	
9		2.1340	8.69	20.39	29.08	56.00	-26.92	QP	
10		2.1340	1.33	20.39	21.72	46.00	-24.28	AVG	
11		3.9380	10.49	20.11	30.60	56.00	-25.40	QP	
12		3.9380	3.05	20.11	23.16	46.00	-22.84	AVG	

*:Maximum data x:Over limit !:over margin

Copyright of this verification is owned by SGS Taiwan LTD. Electronics & Communication Laboratory and may not be reproduced except in full and with the prior approval of the Manager of SGS Taiwan Ltd. Electronics & Communication Laboratory.

This document is issued by the Company subject to its General Conditions of Service printed overleaf, available on request or accessible at www.sgs.com/terms_and_conditions.htm and, for electronic format documents, subject to Terms and Conditions for Electronic Documents at www.sgs.com/terms_e-document.htm. Attention is drawn to the limitation of liability, indemnification and jurisdiction issues defined therein. Any holder of this document is advised that information contained hereon reflects the Company's findings at the time of its intervention only and within the limits of Client's instructions, if any. The Company's sole responsibility is to its Client and this document does not exonerate parties to a transaction from exercising all their rights and obligations under the transaction documents. This document cannot be reproduced except in full, without prior written approval of the Company. Any unauthorized alteration, forgery or falsification of the content or appearance of this document is unlawful and offenders may be prosecuted to the fullest extent of the law.

2.5 Test of Radiated Emission

2.5.1 Test Equipments

Below 1GHz

SGS Radiated_Below_1GHz HWAYA 966A_EMC					
EQUIPMENT TYPE	Manufacturer	Model Number	Serial Number	Calibration Date	Calibration Due
EMI Test Receiver	R&S	ESR 7	101459	2017/2/17	2018/2/16
Biconical Antenna	SCHWARZBECK	VULB 9168	9168-297	2017/5/26	2018/5/25
Pre Amplifier	EMC Instruments Corp.	EMC330	980180	2017/5/19	2018/5/18
Coaxial Cable	Huber+Suhner	RG 214/U	539808	2017/4/23	2018/4/22
Coaxial Cable	EMC Instruments	EMC8D-NM-NM-6000	140922	2017/4/23	2018/4/22
Coaxial Cable	NA	8D	SAC-A-0.5M	2017/4/23	2018/4/22
Communication Tester	SCHWARZBECK	CMW500	152303	2017/2/23	2018/2/22
Communication Tester	Anritsu	MT8820C	6201465315	2016/12/29	2017/12/28
Communication Tester	R&S	CMU200	119988	2017/3/7	2018/3/6
Coaxial Cable	MF	MF-7802	N/A	N.C.R.	N.C.R.
Antenna Master	MF	N/A	N/A	N.C.R.	N.C.R.
Turn Table	MF	N/A	N/A	N.C.R.	N.C.R.
Site NSA	SGS	966 Chamber A	SAC-A	2017/1/12	2018/1/11
Test Software	Farad	EZ-EMC	Ver. SGS-03A2	N.C.R.	N.C.R.
SGS Taiwan LTD. Electronics & Communication Laboratory No.2, Keji 1st Rd., Guishan Dist., Taoyuan City 333, Taiwan (R.O.C.) Measurement Uncertainty of Radiated Emission Expanded uncertainty (k=2) of radiated emission measurement is 4.71 dB. (30-1000MHz)					

Above 1GHz

SGS Radiated_Above_1GHz HWAYA 966B_EMC					
EQUIPMENT TYPE	Manufacturer	Model Number	Serial Number	Calibration Date	Calibration Due
Spectrum Analyzer	R&S	FSV 40	101419	2017/3/1	2018/2/28
EMI Test Receiver	R&S	ESR 7	101507	2017/5/27	2018/5/26
Horn Antenna	SCHWARZBECK	BBHA9120D	BBHA9120D673	2017/10/16	2018/10/15
Pre Amplifier	R&S	SCU-18	100203	2017/3/26	2018/3/26
Pre Amplifier	EMC Instruments	EMC184045B	980135	2017/10/27	2018/10/26
Coaxial Cable	EMC Instruments	EMC104-SM-SM	140923	2017/9/30	2018/9/29
Coaxial Cable	EMC Instruments	EMC104-SM-SM	140925	2017/9/30	2018/9/29
Coaxial Cable	EMC Instruments	EMC104-SM-SM	140927	2017/9/30	2018/9/29
Coaxial Cable	Huber+Suhner	SUCOFLEX 102	MY 2152/2	2017/6/5	2018/6/4
Coaxial Cable	Huber+Suhner	SUCOFLEX 102	MY 2153/2	2017/6/5	2018/6/4
Universal Digital Radio Communication Tester	R&S	CMU 200	119988	2017/3/7	2018/3/6
Wideband Radio Communication Tester	R&S	CMW 500	152303	2017/2/23	2018/2/22
Radio Communication Analyzer	Anritsu	MT8820C	6201465315	2016/12/29	2017/12/24
Controller	MF-7802	N/A	N/A	N.C.R.	N.C.R.
Antenna Master	N/A	N/A	N/A	N.C.R.	N.C.R.
Turn Table	N/A	N/A	N/A	N.C.R.	N.C.R.
Site VSWR	SGS	966 Chamber B	SAC-B	2017/10/8	2018/10/7
Test S/W	Farad	EZ-EMC	Ver. SGS-03A2	N.C.R.	N.C.R.

SGS Taiwan LTD. Electronics & Communication Laboratory
No.2, Keji 1st Rd., Guishan Dist., Taoyuan City 333, Taiwan (R.O.C.)
Measurement Uncertainty of Radiated Emission
Expanded uncertainty (k=2) of radiated emission measurement is 5.06 dB. (1-6GHz)
Expanded uncertainty (k=2) of radiated emission measurement is 5.15 dB. (6-18GHz)
Expanded uncertainty (k=2) of radiated emission measurement is 5.19 dB. (18-26GHz)
Expanded uncertainty (k=2) of radiated emission measurement is 5.14 dB. (26-40GHz)

2.5.2 Operating Environment

Temperature : 18 degree C

Humidity : 57 %RH

Atmospheric Pressure : 996 mBar

2.5.3 Measurement Level Calculation

Correction Factor = Antenna Factor + Cable loss- Amplifier Gain

Measurement Level = Reading Level + Correction Factor

Over (Margin) = Measurement Level – Limit

2.5.4 Measurement Data

Below 1GHz

Model No.: KPL-W00

Mode_1_H

Site: SGS 966 Chamber A	Polarization: Horizontal	Temperature: 18 °C
Limit: FCC Class B 3M Radiation	Power: AC 120V/60Hz	Humidity: 57 %
Mode: Mode_1	Distance:	
Note:		

Radiated Emission



No.	Mk.	Freq. MHz	Reading Level dBuV	Correct Factor dB/m	Measure- ment dBuV/m	Limit dBuV/m	Over dB	Detector	Comment
1	*	64.9200	48.63	-13.23	35.40	40.00	-4.60	QP	
2	l	224.9700	55.30	-14.10	41.20	46.00	-4.80	QP	
3	l	232.7300	54.37	-13.77	40.60	46.00	-5.40	QP	
4		239.5200	52.43	-13.43	39.00	46.00	-7.00	QP	
5	l	255.0400	53.50	-12.40	41.10	46.00	-4.90	QP	
6		960.2300	43.92	0.68	44.60	54.00	-9.40	QP	

*:Maximum data x:Over limit l:over margin

File :C0006\Data :#4

Page: 1

Copyright of this verification is owned by SGS Taiwan LTD. Electronics & Communication Laboratory and may not be reproduced except in full and with the prior approval of the Manager of SGS Taiwan Ltd. Electronics & Communication Laboratory.

This document is issued by the Company subject to its General Conditions of Service printed overleaf, available on request or accessible at www.sgs.com/terms_and_conditions.htm and, for electronic format documents, subject to Terms and Conditions for Electronic Documents at www.sgs.com/terms_e-document.htm. Attention is drawn to the limitation of liability, indemnification and jurisdiction issues defined therein. Any holder of this document is advised that information contained hereon reflects the Company's findings at the time of its intervention only and within the limits of Client's instructions, if any. The Company's sole responsibility is to its Client and this document does not exonerate parties to a transaction from exercising all their rights and obligations under the transaction documents. This document cannot be reproduced except in full, without prior written approval of the Company. Any unauthorized alteration, forgery or falsification of the content or appearance of this document is unlawful and offenders may be prosecuted to the fullest extent of the law.

Mode_1_V

Site: SGS 966 Chamber A Polarization: **Vertical** Temperature: 18 °C
 Limit: FCC Class B 3M Radiation Power: AC 120V/60Hz Humidity: 57 %
 Mode: Mode_1 Distance:
 Note:

Radiated Emission



No.	Mk.	Freq.	Reading Level	Correct Factor	Measurement	Limit	Over	Detector	Comment
		MHz	dBuV	dB/m	dBuV/m	dBuV/m	dB		
1	!	30.0000	47.71	-12.60	35.11	40.00	-4.89	QP	
2	*	63.9500	48.35	-13.05	35.30	40.00	-4.70	QP	
3		108.5700	50.18	-15.48	34.70	43.50	-8.80	QP	
4		365.6200	39.69	-9.19	30.50	46.00	-15.50	QP	
5		391.8100	38.31	-8.51	29.80	46.00	-16.20	QP	
6		960.2300	40.82	0.68	41.50	54.00	-12.50	QP	

*:Maximum data x:Over limit !:over margin

File :C0006>Data :#3

Page: 1

Above 1GHz

Model No.: KPL-W00
Mode_1_H

Site: SGS 966 Chamber B Polarization: **Horizontal** Temperature: 21 °C
Limit: FCC Class B 3M Radiation(1G-40G)(Pea Power: AC 120V/60Hz Humidity: 88 %
Mode: Mode 1 Distance:
Note:

Radiated Emission



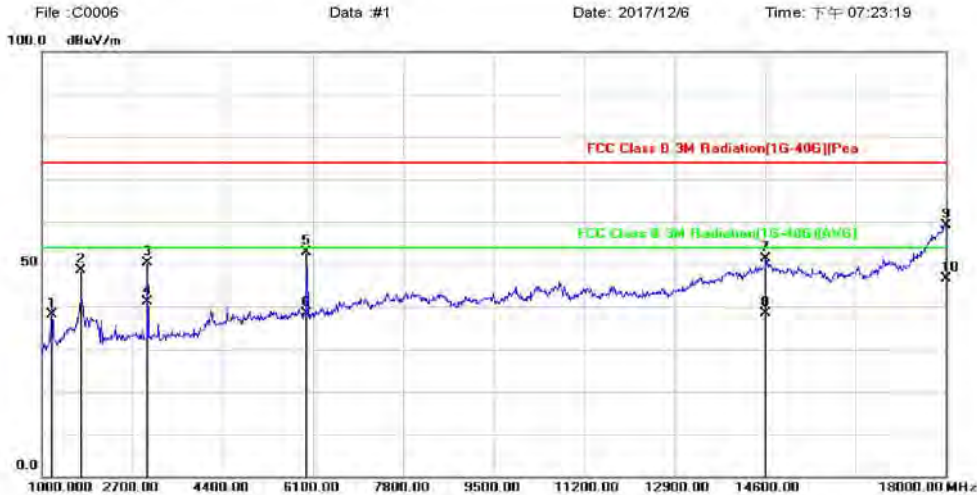
No.	Mk.	Freq. MHz	Reading Level dBuV	Correct Factor dB/m	Measure- ment dBuV/m	Limit dBuV/m	Over dB	Detector	Comment
1		1901.000	59.16	-16.64	42.52	74.00	-31.48	peak	
2		2989.000	68.73	-14.12	54.61	74.00	-19.39	peak	
3		2989.000	57.05	-14.12	42.93	54.00	-11.07	AVG	
4		4179.000	56.79	-11.84	44.95	74.00	-29.05	peak	
5		5998.000	57.14	-7.80	49.34	74.00	-24.66	peak	
6		14753.000	46.33	4.64	50.97	74.00	-23.03	peak	
7		14753.000	35.51	4.64	40.15	54.00	-13.85	AVG	
8		18000.000	45.00	14.70	59.70	74.00	-14.30	peak	
9 *		18000.000	32.24	14.70	46.94	54.00	-7.06	AVG	

*:Maximum data x:Over limit !:over margin

Mode_1_V

Site: SGS 966 Chamber B Polarization: **Vertical** Temperature: 21 °C
 Limit: FCC Class B 3M Radiation(1G-40G)(Pea) Power: AC 120V/60Hz Humidity: 88 %
 Mode: Mode 1 Distance:
 Note:

Radiated Emission



No.	Mk.	Freq. MHz	Reading Level dBuV	Correct Factor dB/m	Measurement dBuV/m	Limit dBuV/m	Over dB	Detector	Comment
1		1187.000	56.83	-18.60	38.23	74.00	-35.77	peak	
2		1731.000	65.57	-17.05	48.52	74.00	-25.48	peak	
3		2989.000	64.59	-14.12	50.47	74.00	-23.53	peak	
4		2989.000	55.19	-14.12	41.07	54.00	-12.93	AVG	
5		5981.000	60.83	-7.84	52.99	74.00	-21.01	peak	
6		5981.000	46.31	-7.84	38.47	54.00	-15.53	AVG	
7		14617.000	46.46	4.83	51.29	74.00	-22.71	peak	
8		14617.000	33.60	4.83	38.43	54.00	-15.57	AVG	
9		18000.000	44.38	14.70	59.08	74.00	-14.92	peak	
10	*	18000.000	32.02	14.70	46.72	54.00	-7.28	AVG	

*:Maximum data x:Over limit l:over margin

File :C0006\Data :#1

Page: 1

**** End of Report ****

Copyright of this verification is owned by SGS Taiwan LTD. Electronics & Communication Laboratory and may not be reproduced except in full and with the prior approval of the Manager of SGS Taiwan Ltd. Electronics & Communication Laboratory.

This document is issued by the Company subject to its General Conditions of Service printed overleaf, available on request or accessible at www.sgs.com/terms_and_conditions.htm and, for electronic format documents, subject to Terms and Conditions for Electronic Documents at www.sgs.com/terms_e-document.htm. Attention is drawn to the limitation of liability, indemnification and jurisdiction issues defined therein. Any holder of this document is advised that information contained hereon reflects the Company's findings at the time of its intervention only and within the limits of Client's instructions, if any. The Company's sole responsibility is to its Client and this document does not exonerate parties to a transaction from exercising all their rights and obligations under the transaction documents. This document cannot be reproduced except in full, without prior written approval of the Company. Any unauthorized alteration, forgery or falsification of the content or appearance of this document is unlawful and offenders may be prosecuted to the fullest extent of the law.