

AP SCHEMATIC

1. Contents
2. PM8916 Control and MPP/Clock
3. PM8916 Charging
4. PM8916 GPIO/MPP
5. PM8916 Buck converter
6. PM8916 LDO circuits
7. PM8916 CODEC
8. MSM8939 Control
9. MSM8939 EBI
10. MSM8939 GPIO
11. MSM8939 MIPI and RF Control
12. MSM8939 Power1
13. MSM8939 Power2
14. MSM8939 GND and NC
15. eMMC and LPDDR3
16. Battery/Micro USB Connector
17. Speaker and Vibrator
18. MIC and Receiver
19. Earphone
20. LCD interface and backlight driver
21. Main/Slave Camera and Flash LED
22. Sensor
23. SIM/TF card
24. Keypad/LED/Status indicator
25. CTP interface
26. Test Points/GND/Shields
27. RESERVED
28. RESERVED
29. Subconnector
30. Subconnector

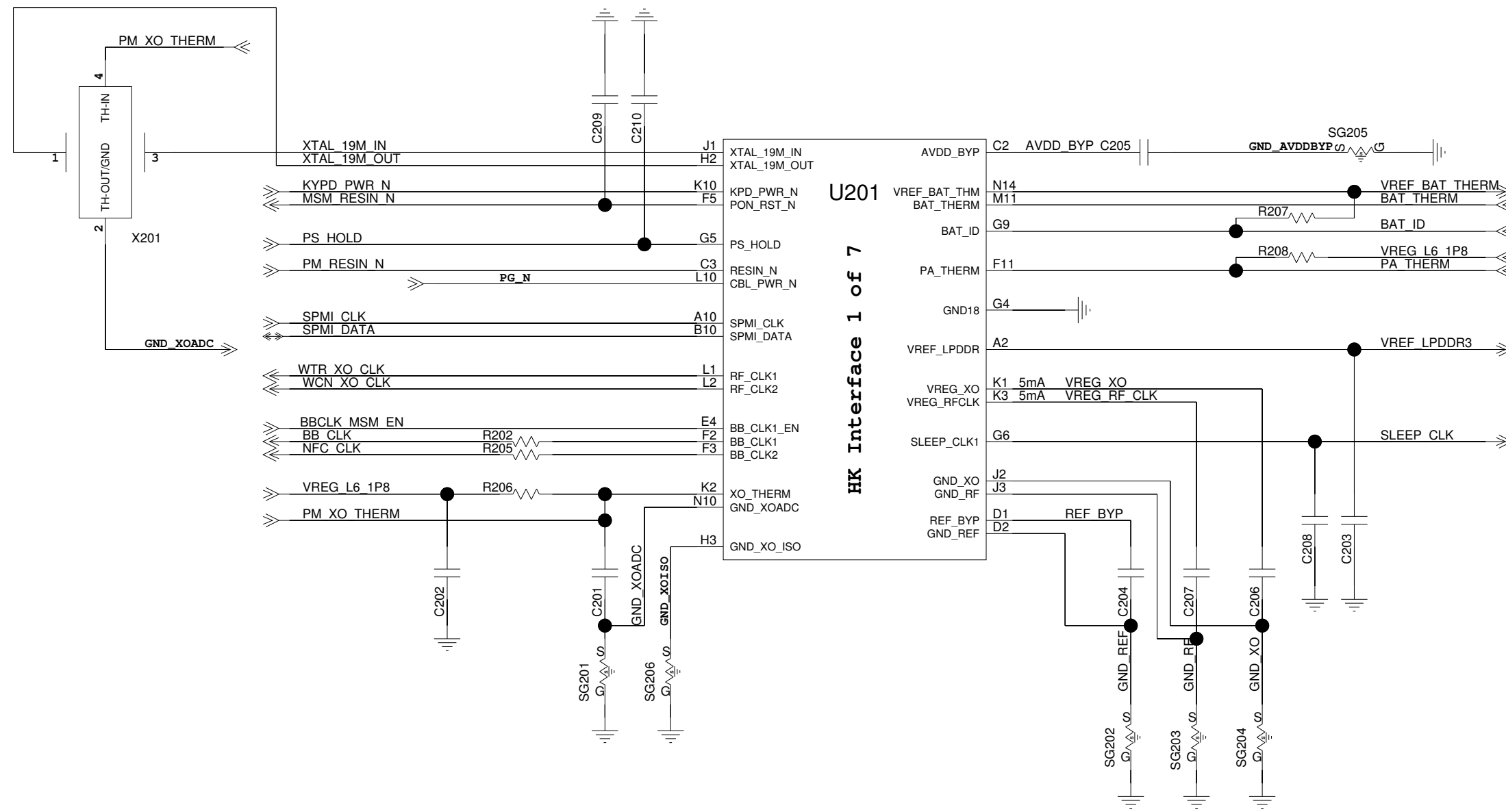
31. RF Interface
32. RESERVED
33. Main Antenna Switcher
34. RESERVED
35. RESERVED
36. RESERVED
37. QFE2320(MMPA)
38. Circuit of MMPA
39. TRX_B1
40. TRX_B8
41. TRX_B5
42. TRX_B3/GSM1900
43. RESERVED
44. RESERVED
45. DRX LNA B3/B26
46. RESERVED
47. TRX_B41
48. RESERVED
49. RESERVED
50. RESERVED
51. DRX LNA B41/B1
52. DRX_B1/B3/B26
53. RESERVED
54. DRX_B41
55. DRX_ANT_SWITCH
56. WTR4905
57. RESERVED
58. ET_APT

59. GPS
60. WIFI/BT BB
61. WIFI/BT RF
62. Reserved
63. NFC
64. RESERVED
65. RESERVED
66. ANT Match
67. MAIN ANT Tuner
68. DRX ANT Tuner
69. Reserved

The type and specification of the components refer to the BOM

					21-03-2015_15:06
				ECA NO	DATE
DESIGNED	WANGCHAO 00206448	HL3KIWITM		03023EJB_SCHZH	
REVIEWED	YUJUNFENG 00258619	VER	PART_NUMBER	SHEET 1 INDEX 69	
				HUAWEI TECH CO.,LTD.	

2. PM8916 Control and MPP/Clock

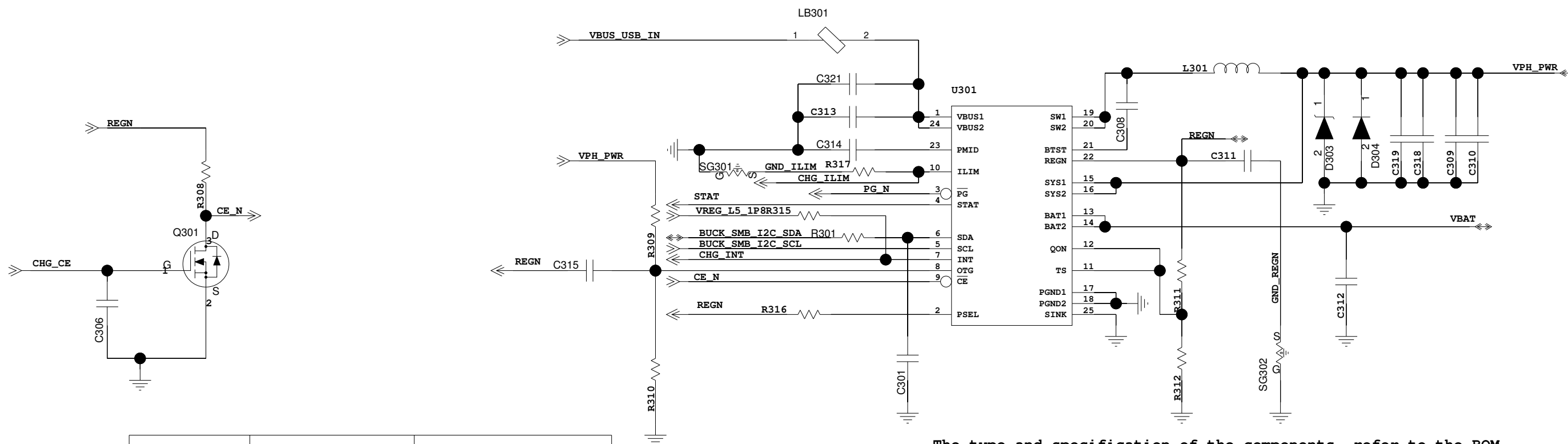
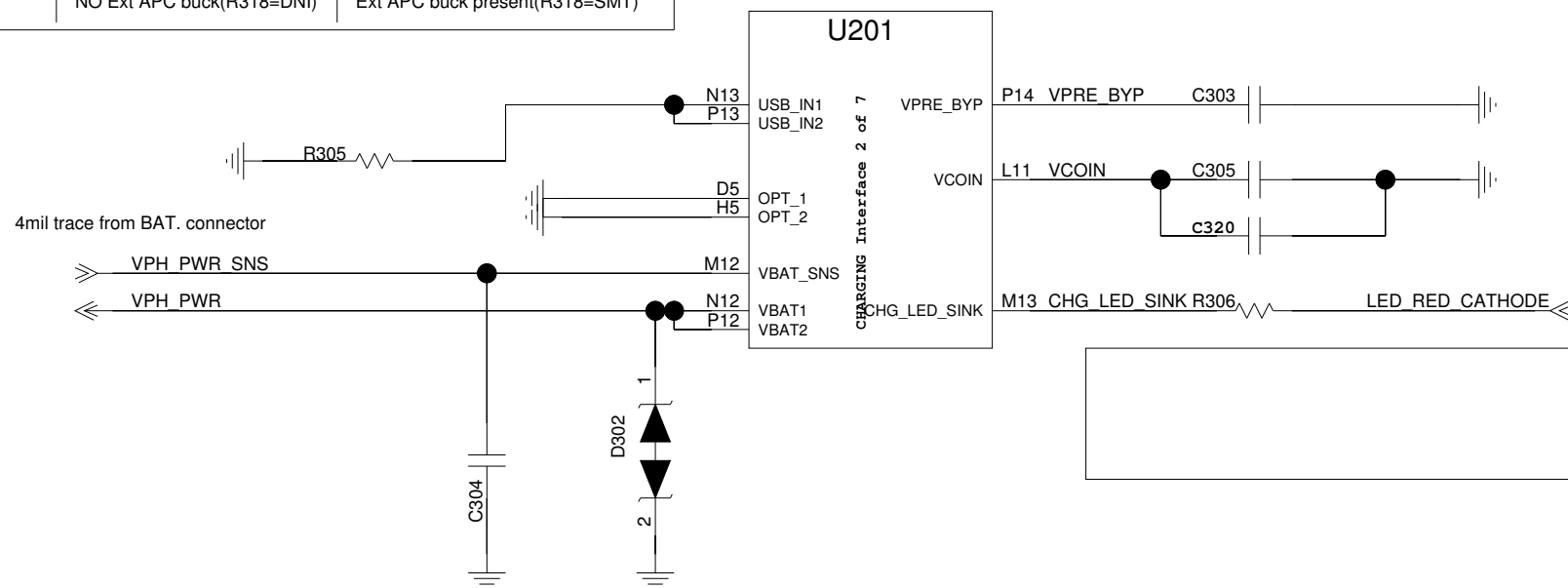


The type and specification of the components refer to the BOM

				21-12-2015_13:54
			ECA NO	DATE
DESIGNED	WANGCHAO 00206448	HL3KIWITM		03023EJB_SCHZH
REVIEWED	YUJUNFENG 00258619			
		VER	PART_NUMBER	SHEET 2 PM8916 Control and MPP/
			03023EJB	HUAWEI TECH CO.,LTD.

3. PM8916 Charging

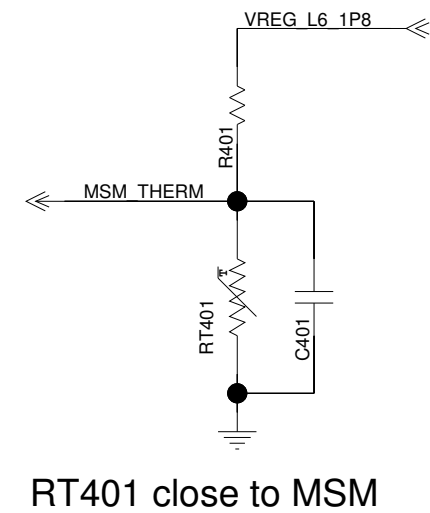
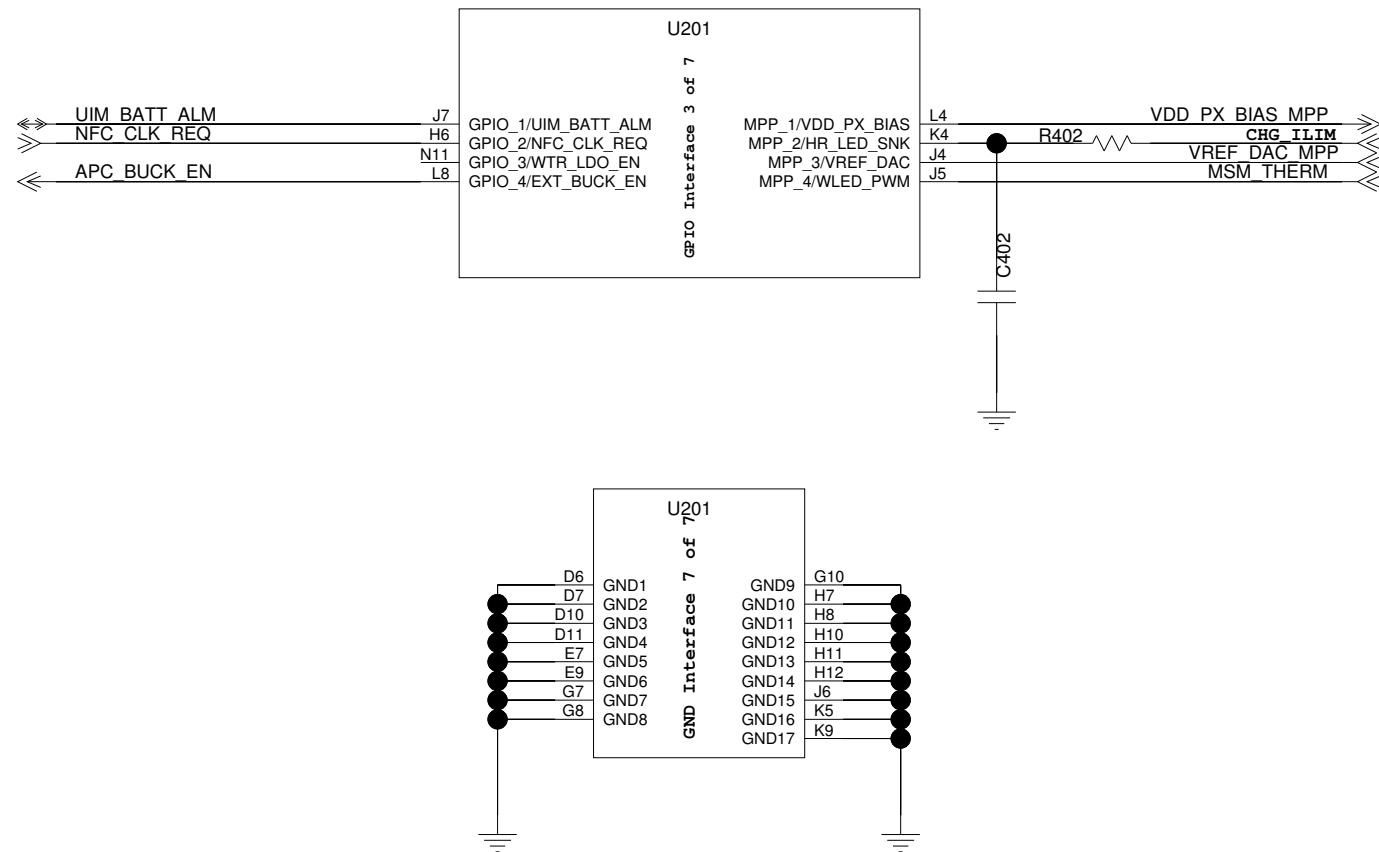
PINS	Hi Z	GND
OPT_1	NO Ext charger IC(R307=DNI)	Ext charger IC present(R307=SMT)
OPT_2	NO Ext APC buck(R318=DNI)	Ext APC buck present(R318=SMT)



The type and specification of the components refer to the BOM

				21-12-2015_13:54
			ECA NO	DATE
DESIGNED	WANGCHAO 00206448	HL3KIWITM		03023EJB_SCHZH
REVIEWED	YUJUNFENG 00258619	VER	PART_NUMBER	SHEET 3 PM8916 Charging
			03023EJB	HUAWEI TECH CO.,LTD.

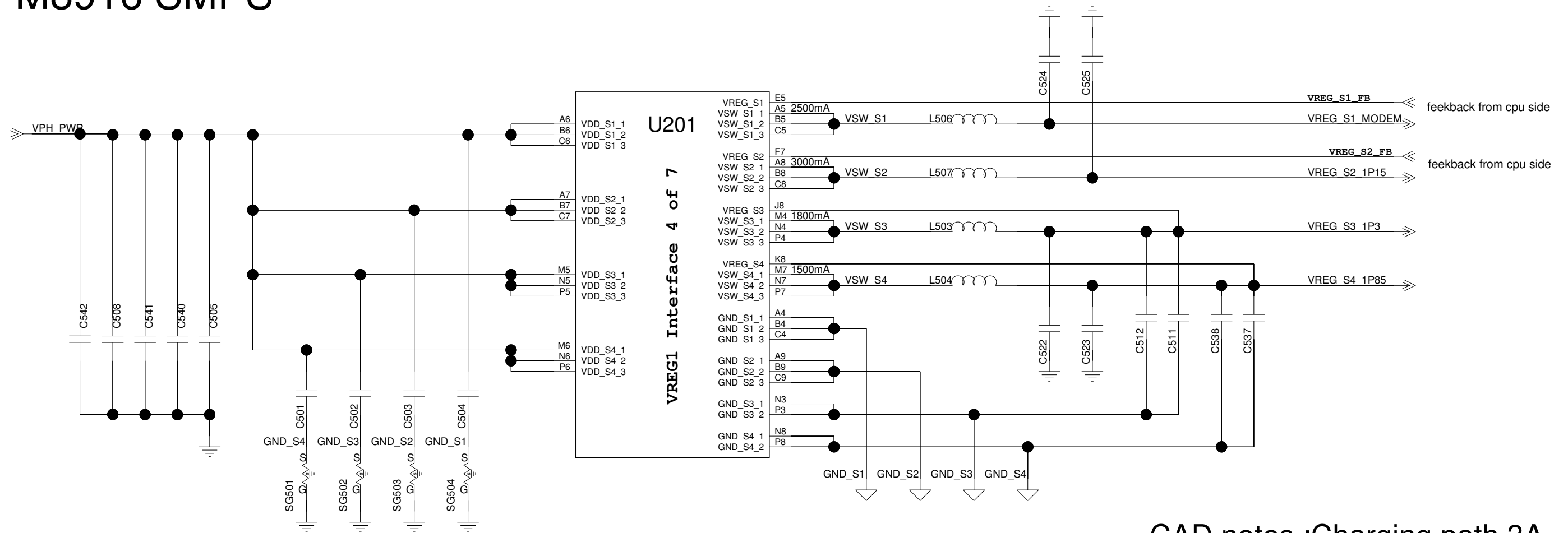
4. PM8916 GPIO/MPP and GND



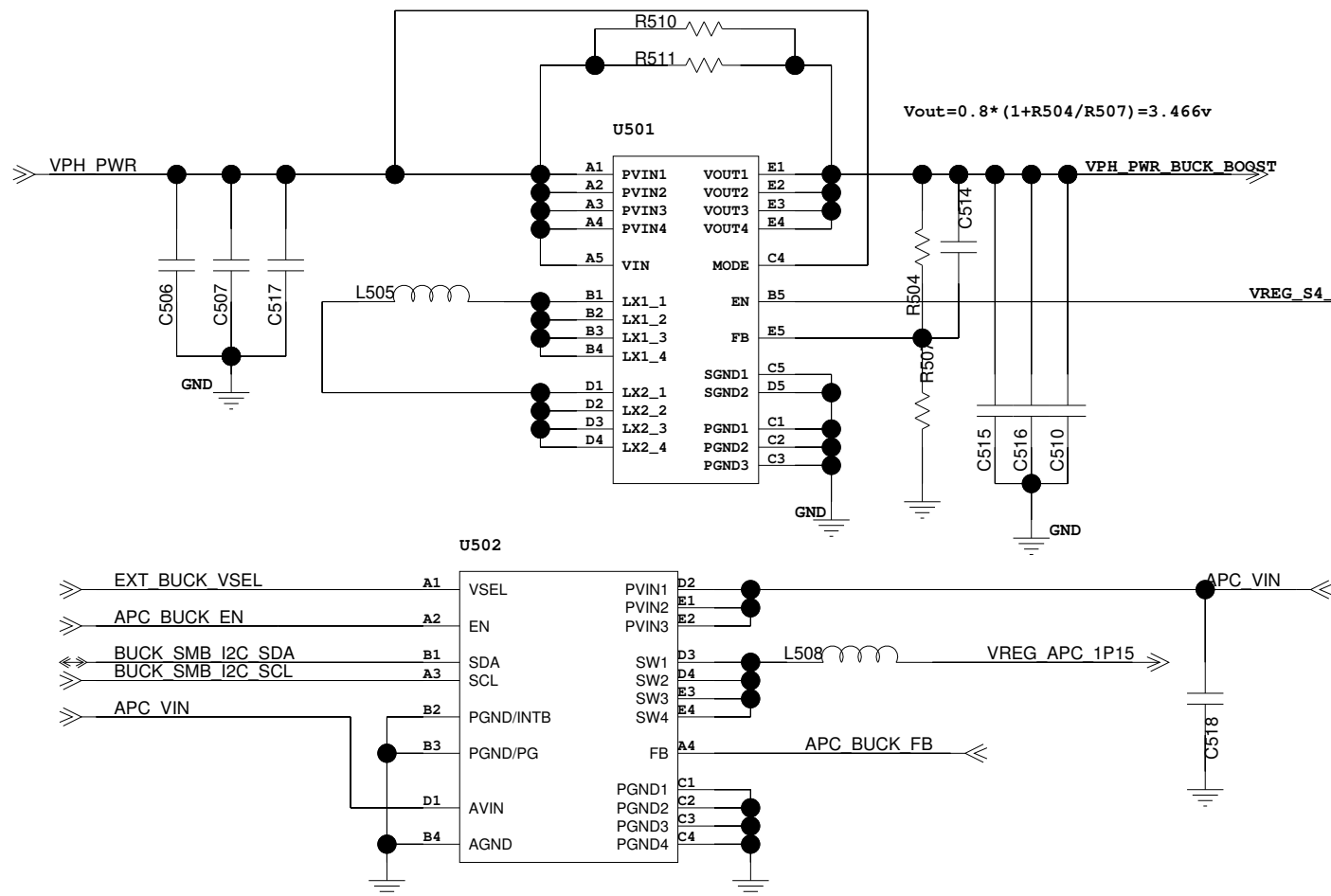
The type and specification of the components refer to the BOM

				21-12-2015_13:54
			ECA NO	DATE
DESIGNED	WANGCHAO 00206448	HL3KIWITM		03023EJB_SCHZH
REVIEWED	YUJUNFENG 00258619	VER	PART_NUMBER	SHEET 4 PM8916 GPIO/MPP and G
			03023EJB	HUAWEI TECH CO.,LTD.

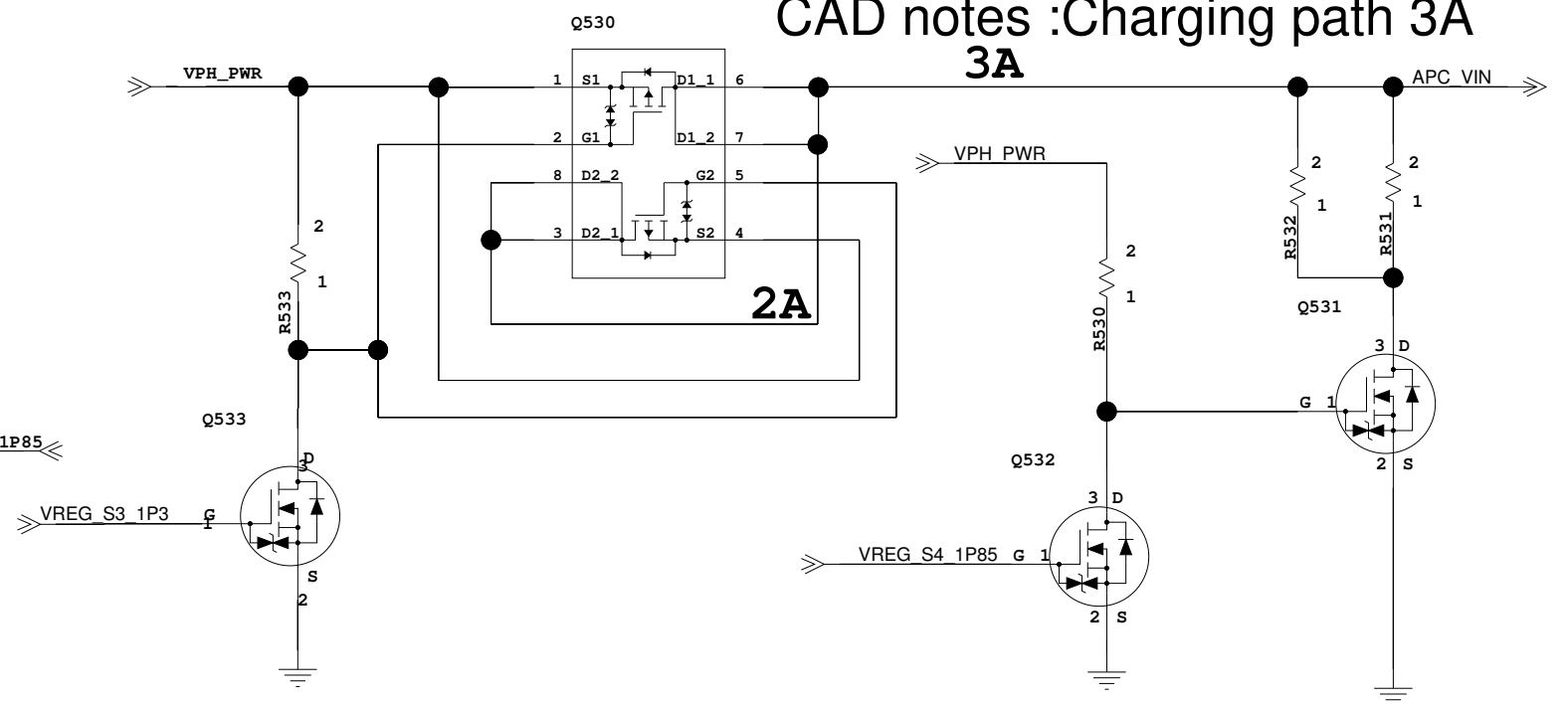
5. PM8916 SMPS



BUCK BOOST



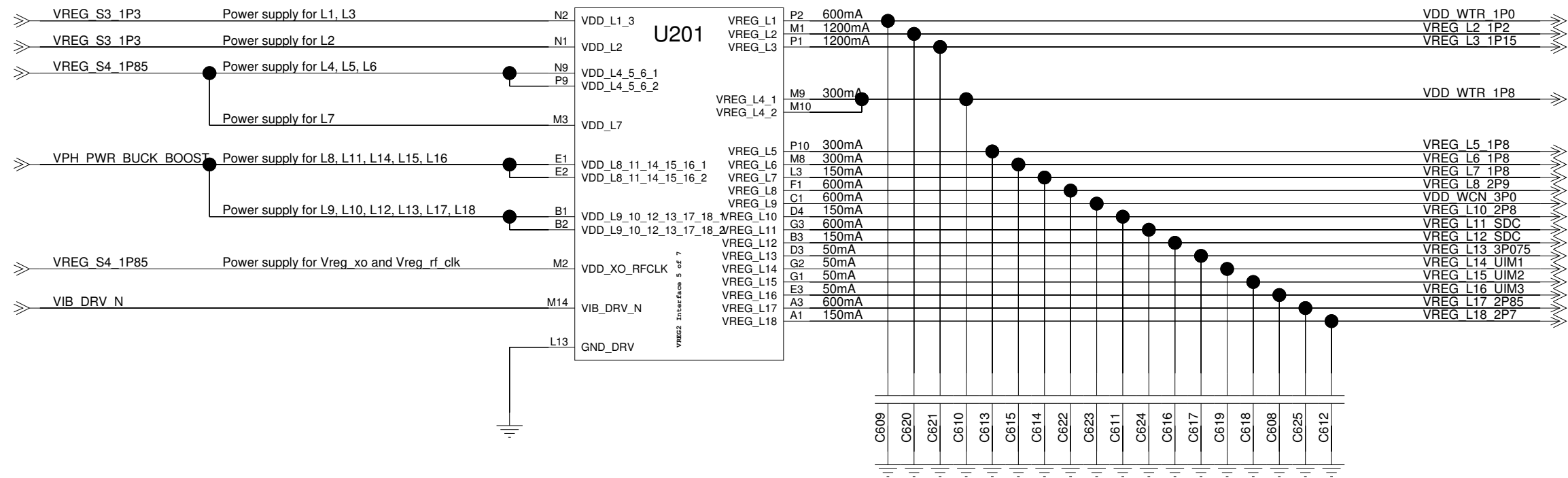
CAD notes :Charging path 3A



The type and specification of the components refer to the BOM

DESIGNED	WANGCHAO 00206448	HL3KIWITM	03023EJB_SCHZH
REVIEWED	YUJUNFENG 00258619	VER	PART_NUMBER
			SHEET 5 PM8916 SMPS
			HUAWEI TECH CO.,LTD.
			ECA NO
			DATE

6. PM8916 LDO



Design Note:

CAPLESS LDOs: L4, L5, L6, L7, L8, L9, L10, L11, L12, L13, L14, L15, L16, L17, L18
 LDOs L8, L9, L11, L17 each shall have total effective output capacitance of 4.7uF
 Rest of the LDOs shall each have total effective output capacitance of 1.0uF
 Please ensure when you DNI the output capacitor of Pseudo capless LDOs
 The effective total capacitance at load side shall match above requirement

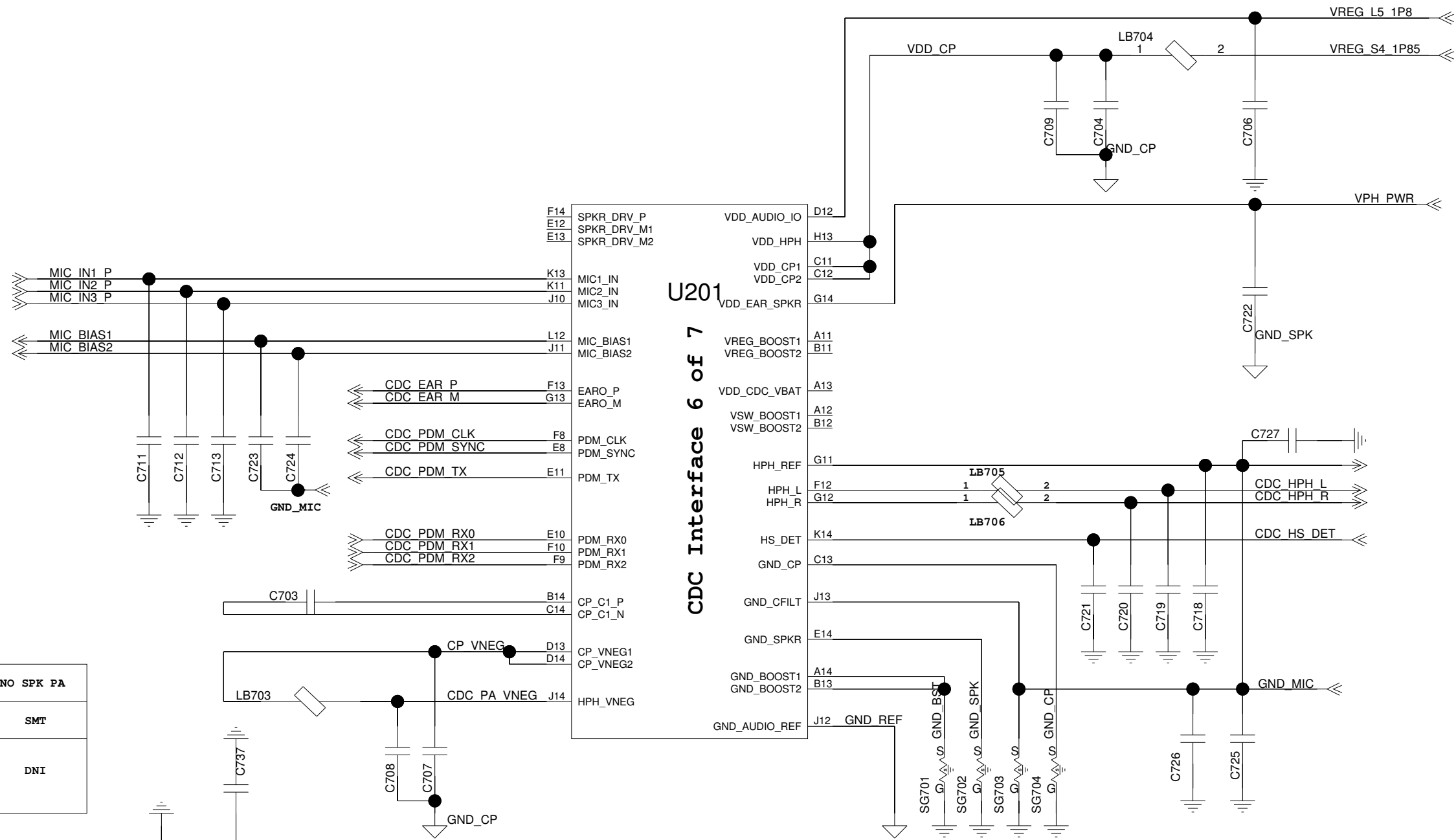
Pseudo capless LDOs routing requirements:

P50: R<400mOhms, L<45nH
 P150: R<200mOhms, L<20nH
 P300: R<150mOhms, L<18nH
 P600: R<150mOhms, L<18nH

The type and specification of the components refer to the BOM

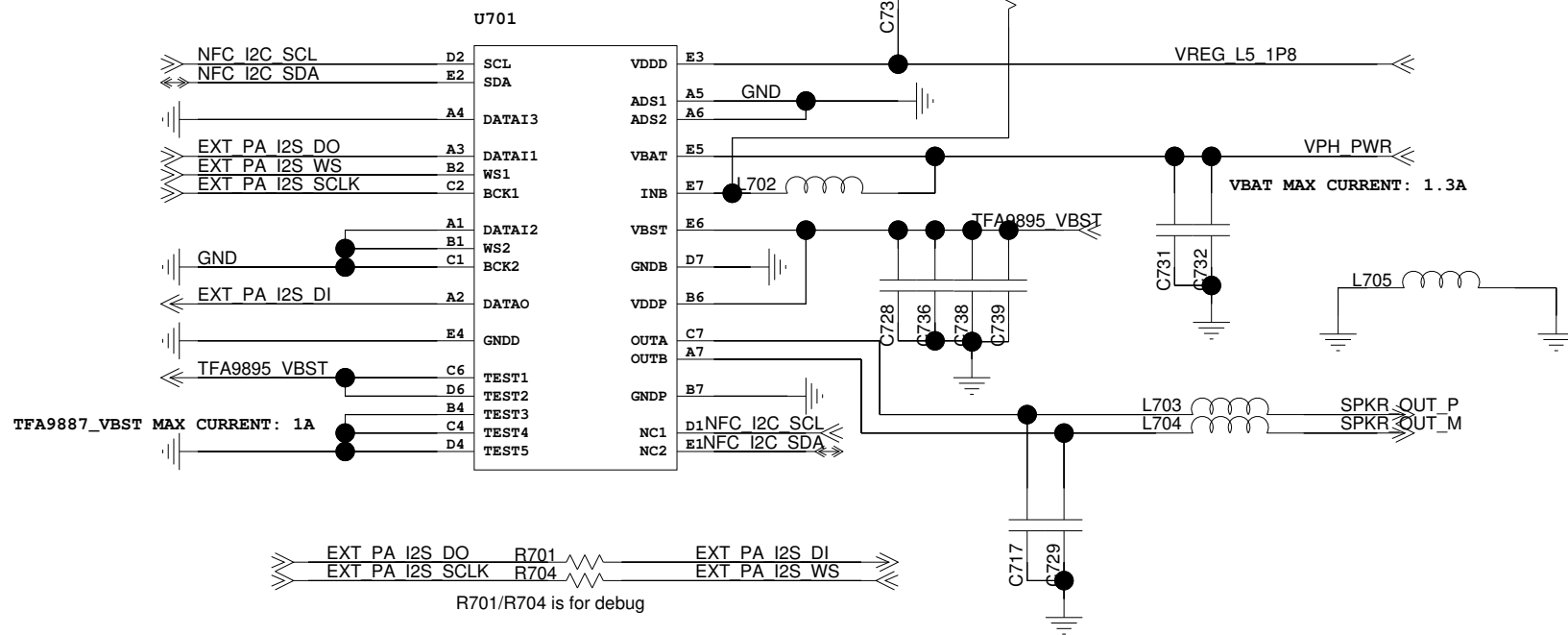
				21-12-2015_13:55
			ECA NO	DATE
DESIGNED	WANGCHAO 00206448	HL3KIWITM		03023EJB_SCHZH
REVIEWED	YUJUNFENG 00258619	VER	PART_NUMBER	SHEET 6 PM8916 LDO
			03023EJB	HUAWEI TECH CO.,LTD.

7. PM8916 CODEC



	SPK PA	NO SPK PA
R705, R708, L701	DNI	SMT
U701, C733, C734, L702, LB707, LB708, C728, C730, C735, C731, C732, R711	SMT	DNI

SPK PA

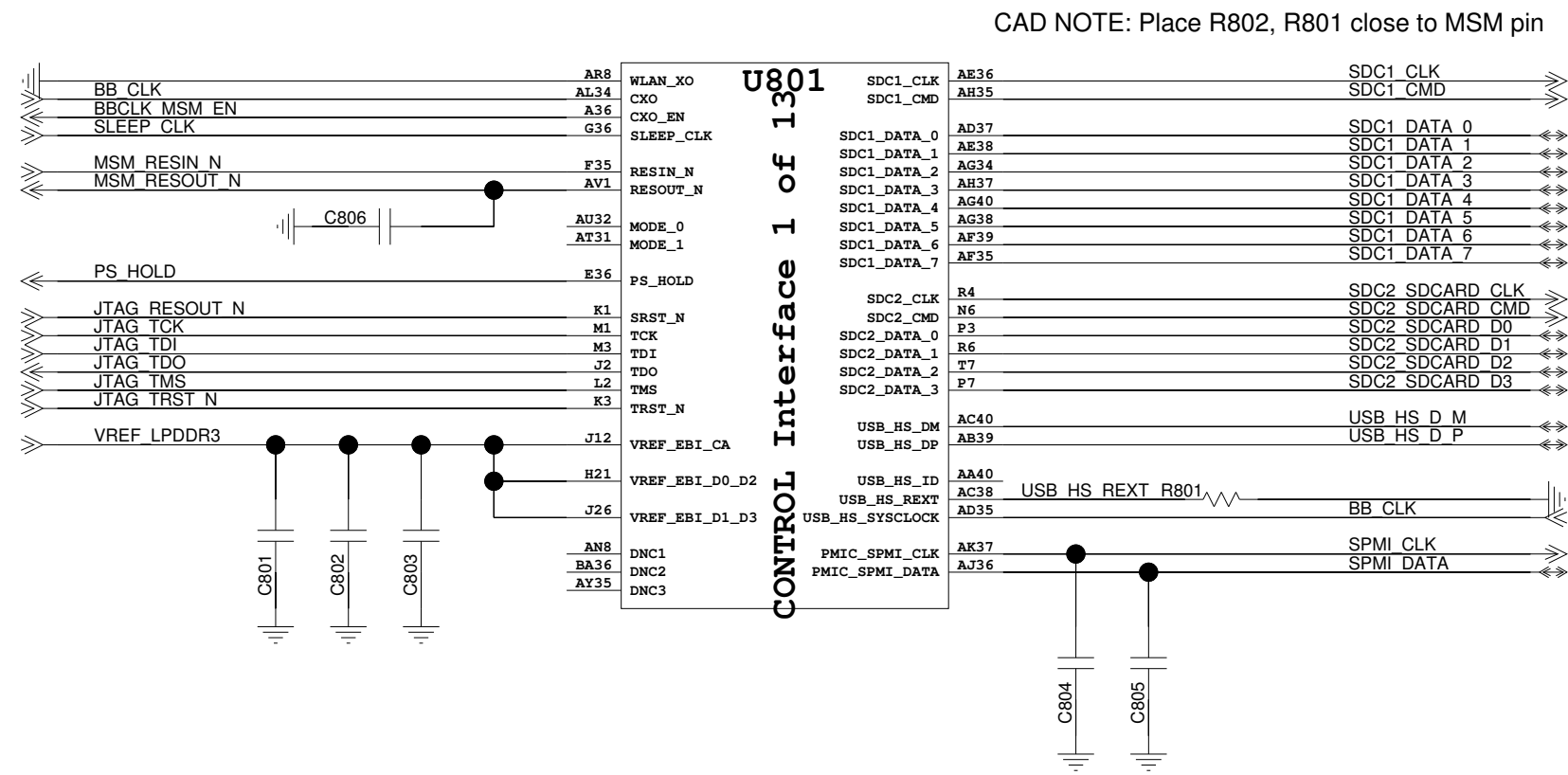


Please connect C13, J13, E14, A14, B13, J12 to respective VDD capacitor grounds directly and then to main GND

The type and specification of the components refer to the BOM

				21-12-2015_13:55
			ECA NO	DATE
DESIGNED	WANGCHAO 00206448	HL3KIWITM		03023EJB_SCHZH
REVIEWED	YUJUNFENG 00258619			
		VER	PART_NUMBER	SHEET 7 PM8916 CODEC
			03023EJB	HUAWEI TECH CO.,LTD.

8. MSM8939 Control

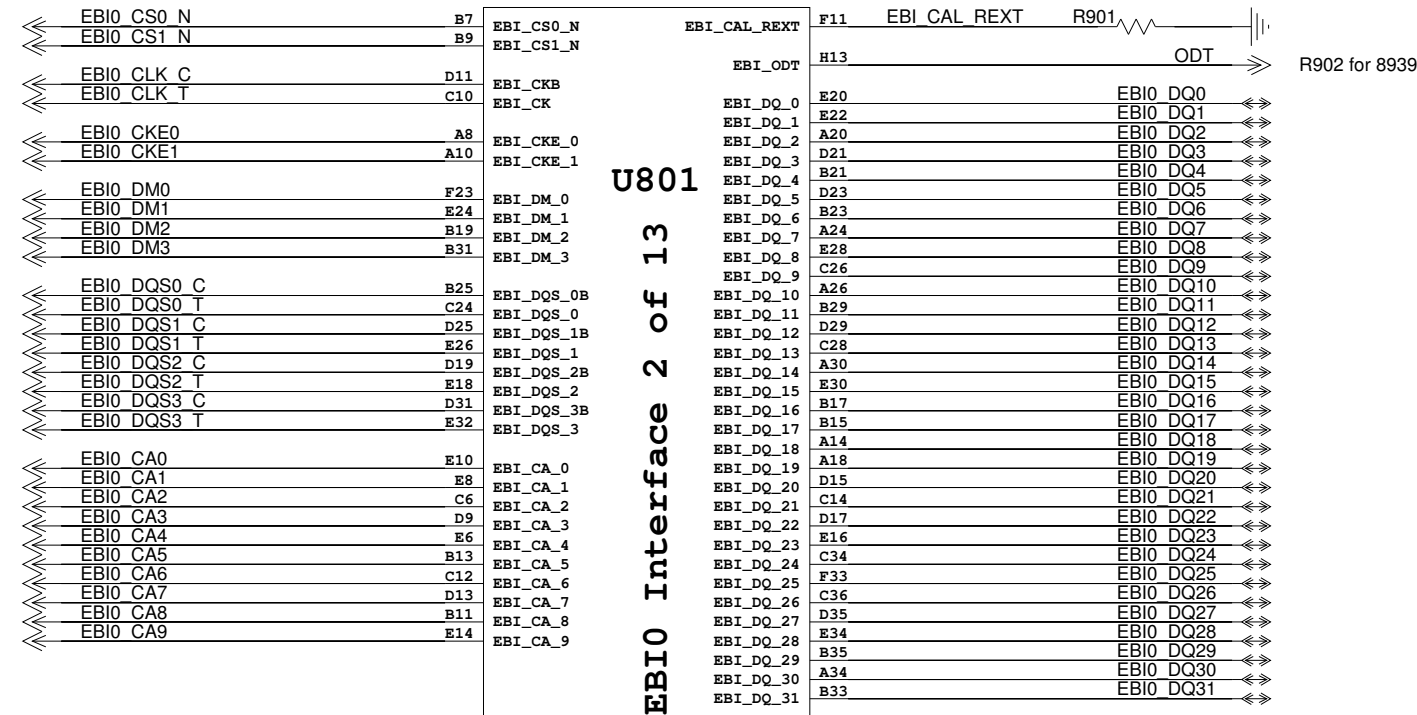


The type and specification of the components refer to the BOM

				21-12-2015_13:56
			ECA NO	DATE
DESIGNED	WANGCHAO 00206448	HL3KIWITM		03023EJB_SCHZH
REVIEWED	YUJUNFENG 00258619	VER	PART_NUMBER	SHEET 8 MSM8939 Control
			03023EJB	HUAWEI TECH CO.,LTD.

9. MSM8939 EBI

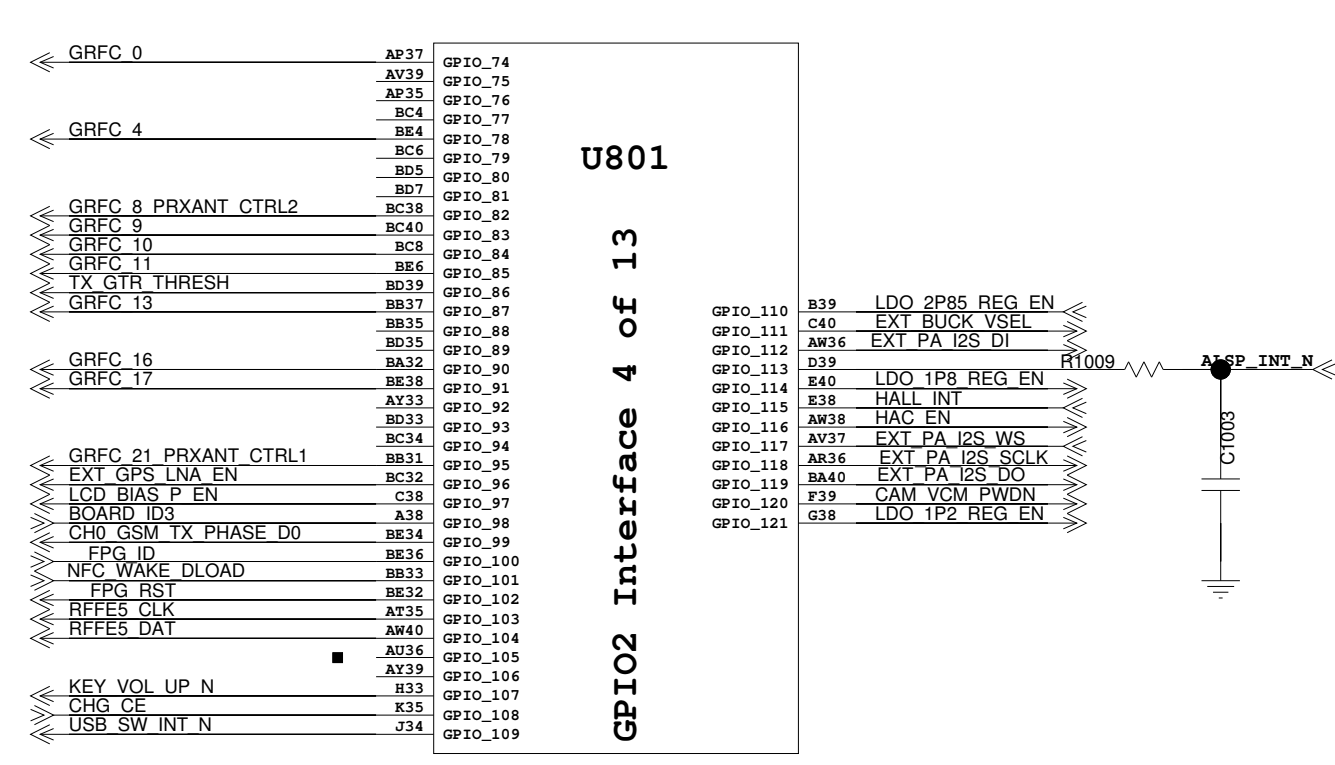
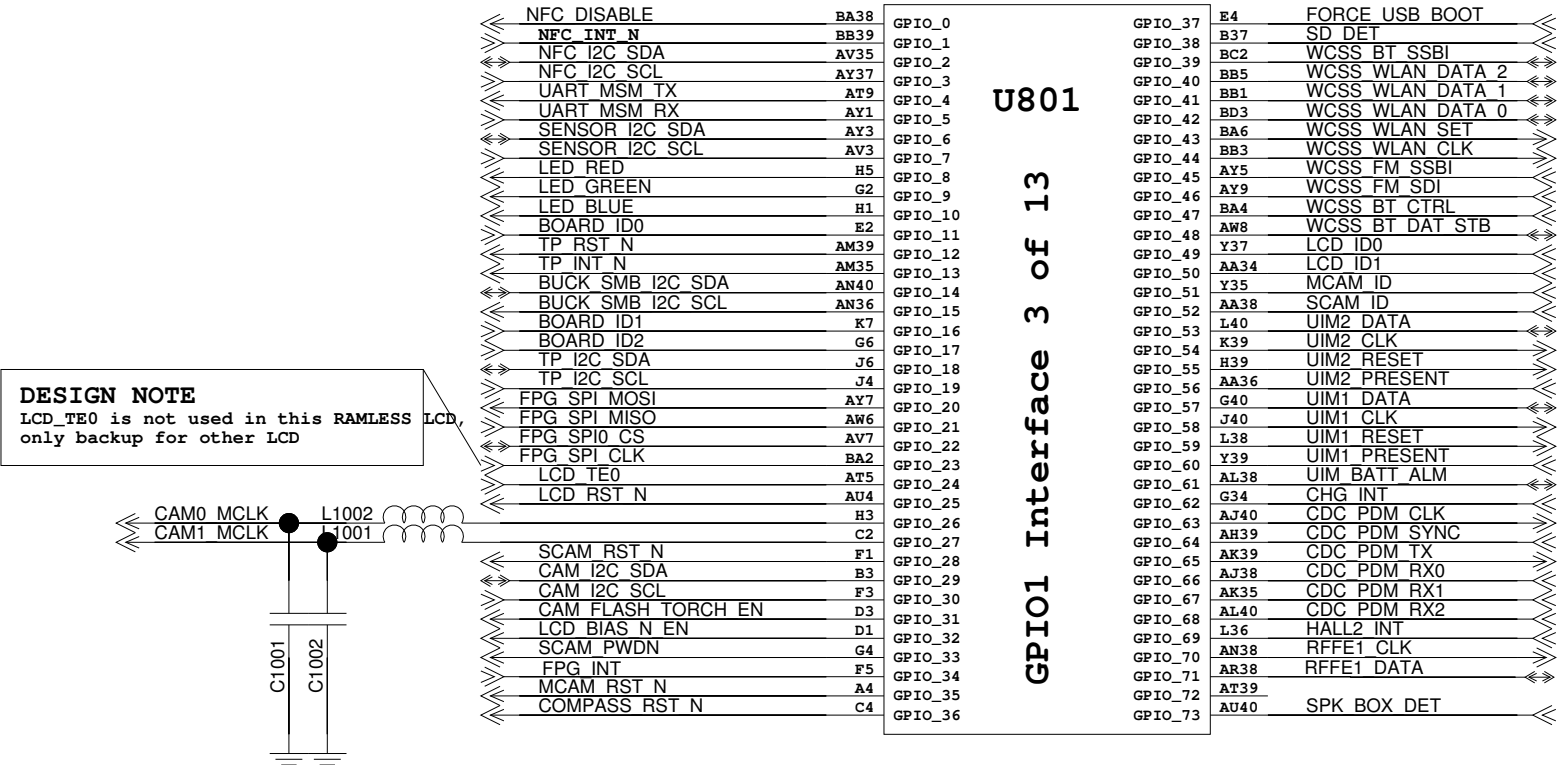
CAD NOTE: Place R901 close to MSM pin



The type and specification of the components refer to the BOM

				21-12-2015_13:56
			ECA NO	DATE
DESIGNED	WANGCHAO 00206448	HL3KIWITM		03023EJB_SCHZH
REVIEWED	YUJUNFENG 00258619			
		VER	PART_NUMBER	SHEET 9 MSM8939 EBI
			03023EJB	HUAWEI TECH CO.,LTD.

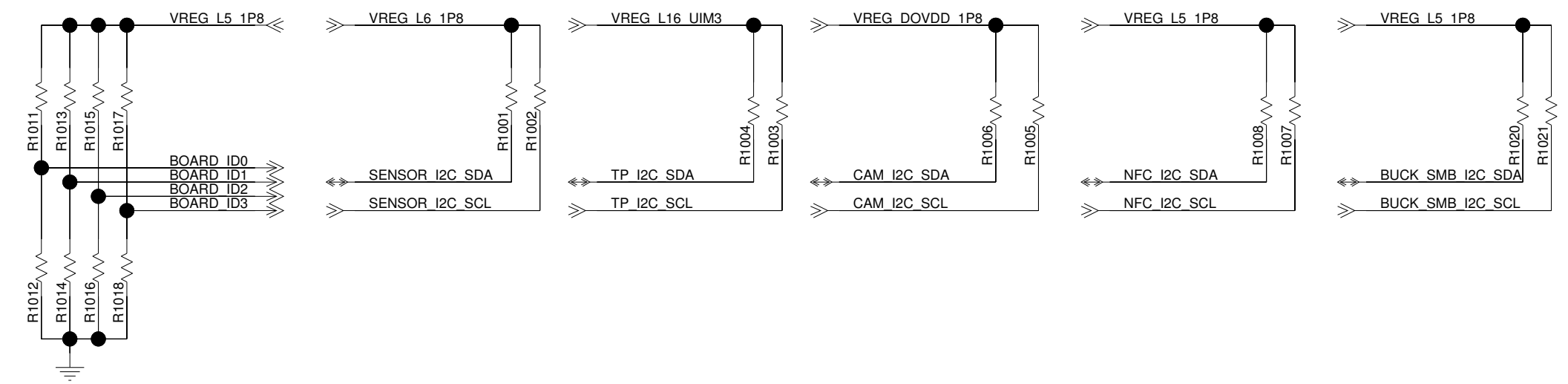
10. MSM8939 GPIO



V1-V3:Board ID	R1011	R1012	R1013	R1014	R1015	R1016	R1017	R1018
KIW-L21	DNI	DNI	DNI	DNI	DNI	SMT	DNI	DNI
KIW-L22	DNI	DNI	SMT	DNI	DNI	SMT	DNI	DNI
KIW-L23	SMT	DNI	DNI	SMT	DNI	SMT	DNI	DNI

V4:Board ID	R1011	R1012	R1013	R1014	R1015	R1016	R1017	R1018
KIW-L21	DNI	DNI	DNI	DNI	DNI	DNI	DNI	SMT
KIW-L22	DNI	DNI	SMT	DNI	DNI	DNI	DNI	SMT
KIW-L23	SMT	DNI	DNI	SMT	DNI	DNI	DNI	SMT

VN1:Board ID	R1011	R1012	R1013	R1014	R1015	R1016	R1017	R1018
KIW-L21	DNI	SMT	SMT	DNI	SMT	DNI	DNI	DNI
KIW-L22	SMT	DNI	DNI	SMT	SMT	DNI	DNI	DNI
KIW-L23	SMT	DNI	DNI	DNI	SMT	DNI	DNI	DNI

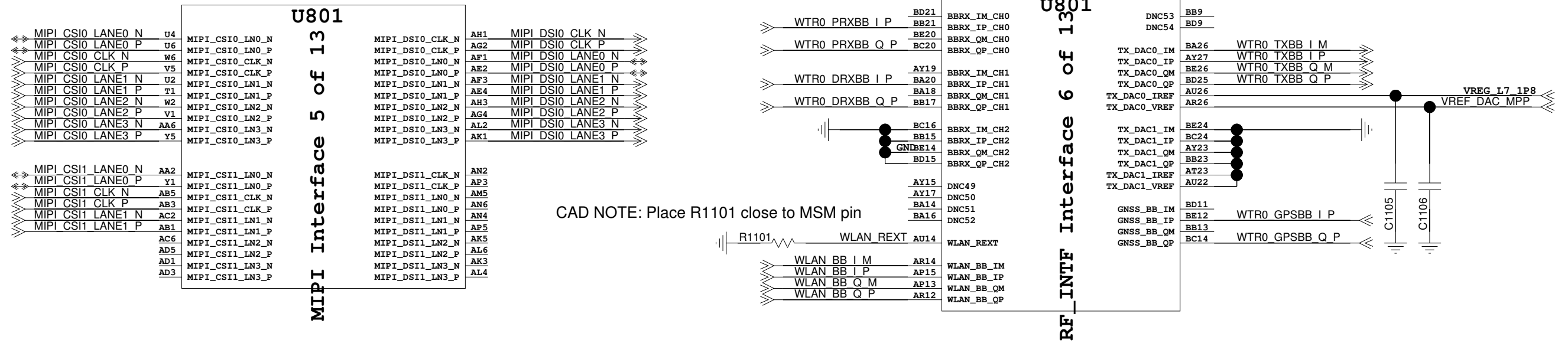


GPIO PIN	BOOT_CONFIG	BOOT_CONFIG[3:1]
GPIO_80	BOOT_CONFIG[0],WDOG	0b000 sdc1->sd2->usb2.0
GPIO_81	BOOT_CONFIG[1]	0b001 sdc2->sd1->usb2.0
GPIO_82	BOOT_CONFIG[2]	0b010 sdc1->usb2.0
GPIO_83	BOOT_CONFIG[3]	0b011 usb2.0

The type and specification of the components refer to the BOM

				21-12-2015_13:56
			ECA NO	DATE
DESIGNED	WANGCHAO 00206448	HL3KIWITM	03023EJB_SCHZH	
REVIEWED	YUJUNFENG 00258619		VER	PART_NUMBER
			03023EJB	HUAWEI TECH CO.,LTD.

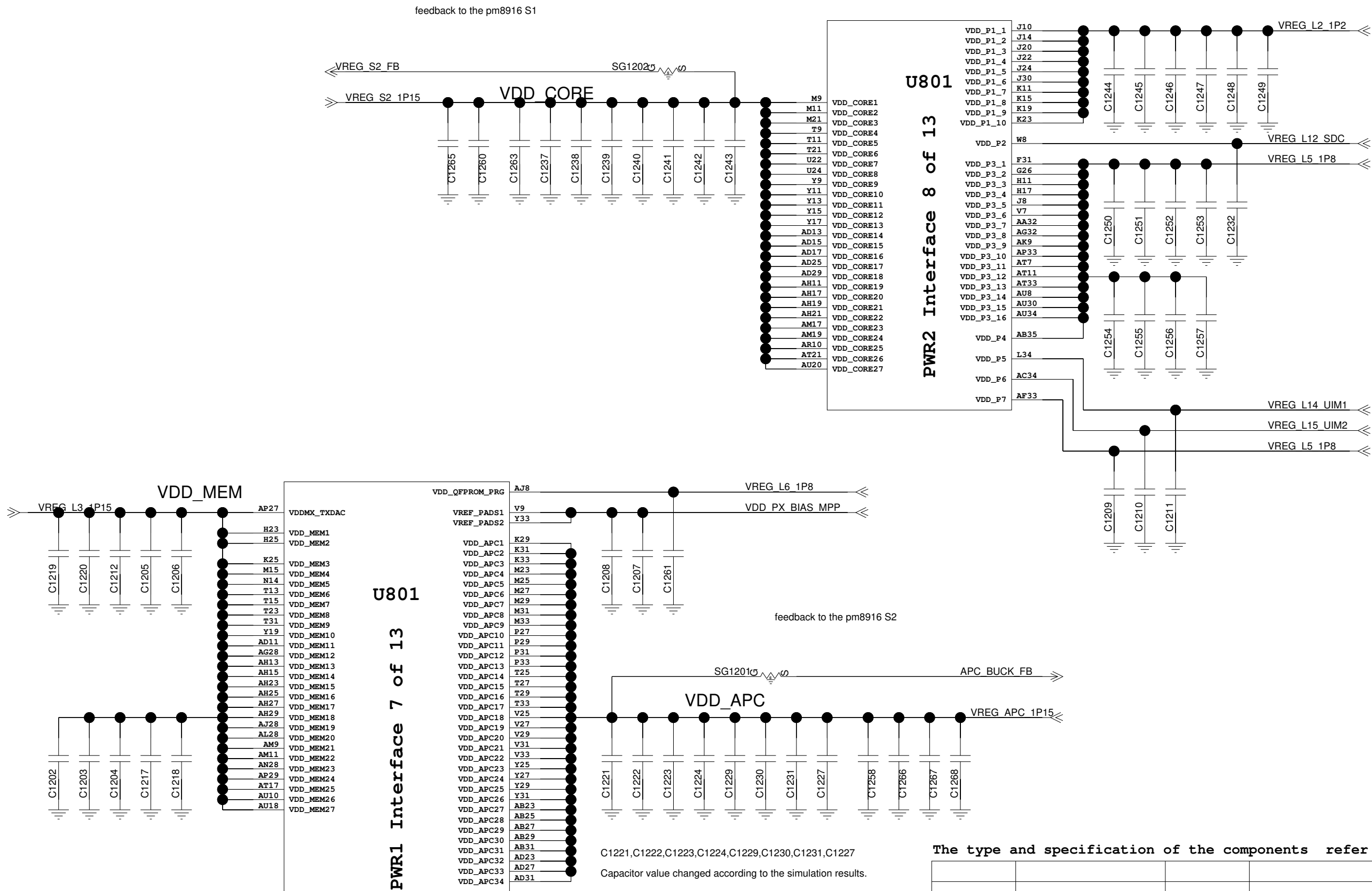
11. MSM8939 MIPI and RF Control



The type and specification of the components refer to the BOM

				21-12-2015_13:57
			ECA NO	DATE
DESIGNED	WANGCHAO 00206448	HL3KIWITM		03023EJB_SCHZH
REVIEWED	YUJUNFENG 00258619	VER	PART_NUMBER	SHEET 11_MSM8939 MIPI and RF C
			03023EJB	HUAWEI TECH CO.,LTD.

12. MSM8939 Power1

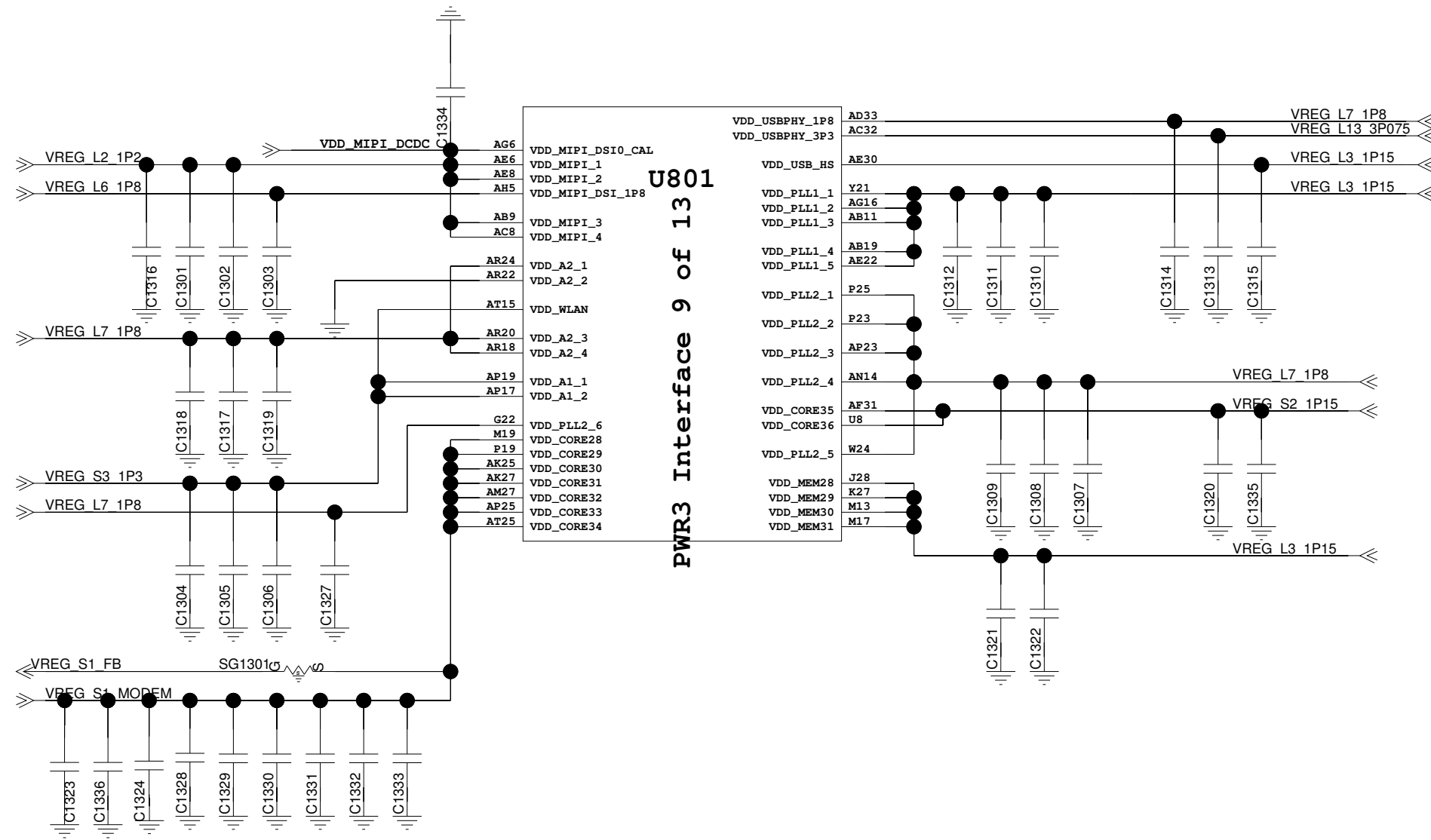


C1221,C1222,C1223,C1224,C1229,C1230,C1231,C1227
Capacitor value changed according to the simulation results.

The type and specification of the components refer to the BOM

				21-12-2015_13:57
			ECA NO	DATE
DESIGNED	WANGCHAO 00206448	HL3KIWITM	03023EJB_SCHZH	
REVIEWED	YUJUNFENG 00258619			
		VER	PART_NUMBER	SHEET 12 MSM8939 Power1
			03023EJB	HUAWEI TECH CO.,LTD.

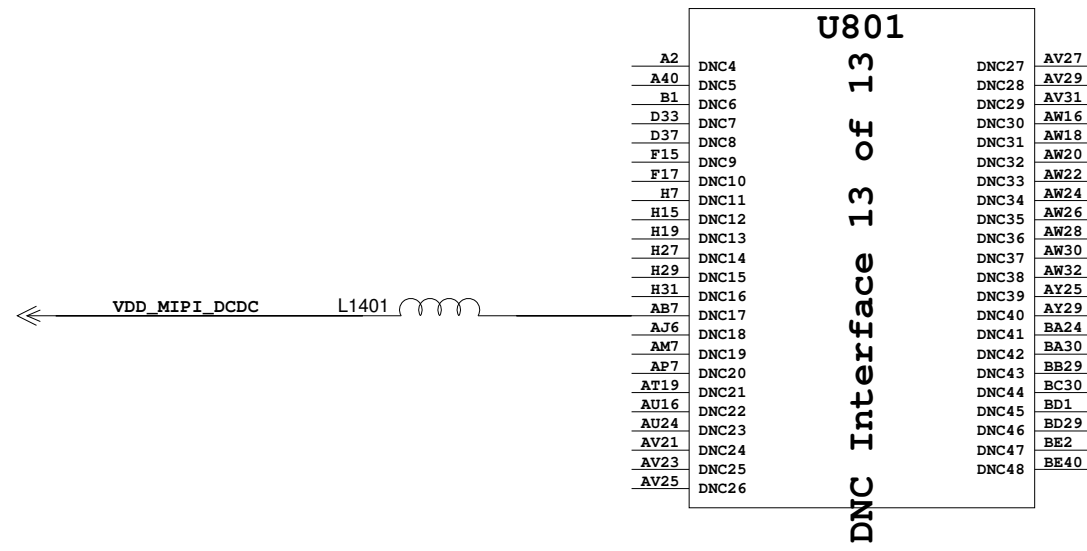
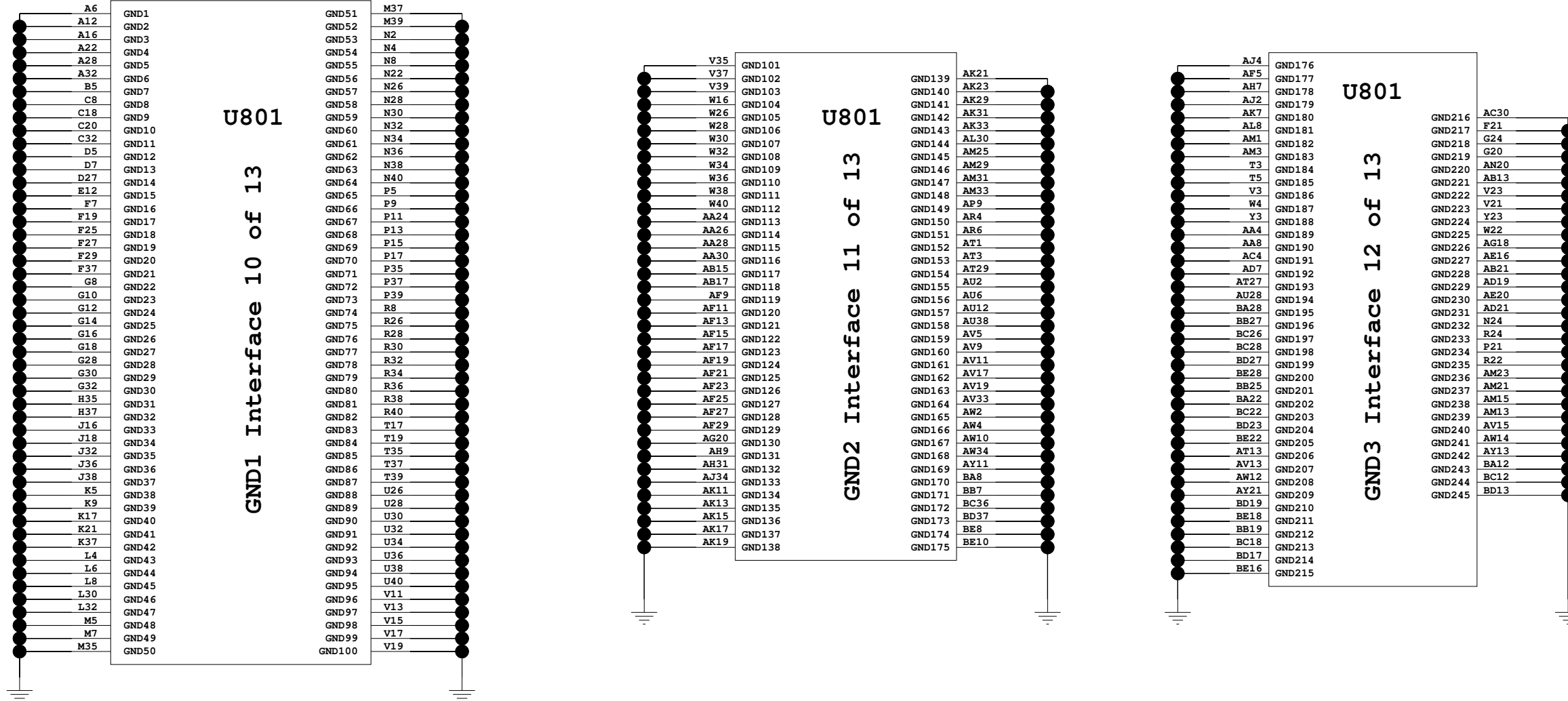
13. MSM8939 Power2



The type and specification of the components refer to the BOM

				21-12-2015_13:58
			ECA NO	DATE
DESIGNED	WANGCHAO 00206448	HL3KIWITM	03023EJB_SCHZH	
REVIEWED	YUJUNFENG 00258619	VER	PART_NUMBER	SHEET 13_MSM8939Power2
			03023EJB	HUAWEI TECH CO.,LTD.

14. MSM8939 GND and NC

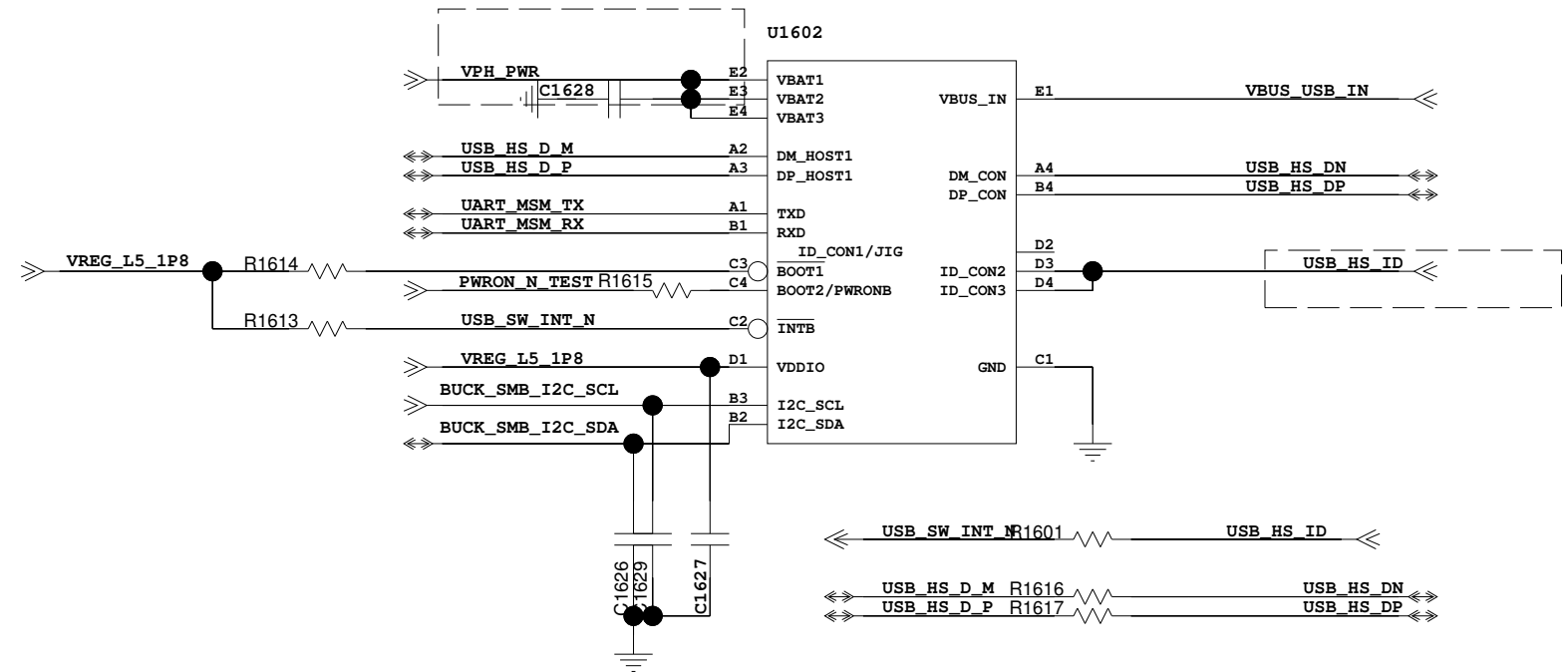
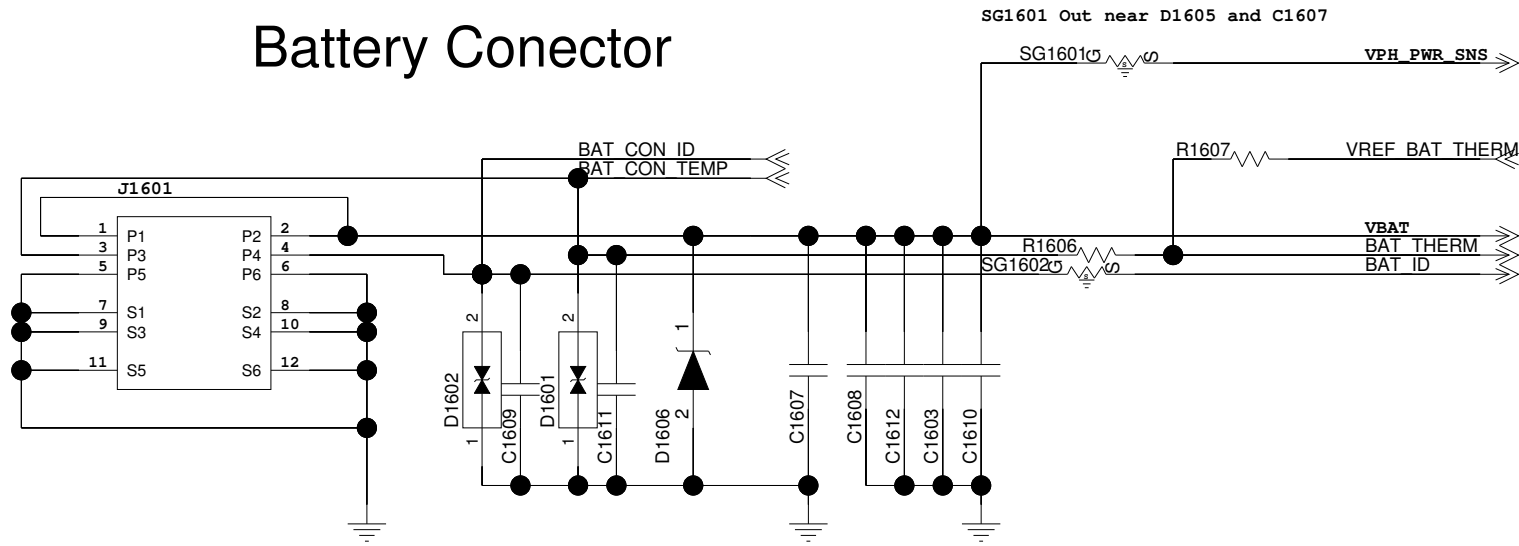


The type and specification of the components refer to the BOM

				21-12-2015_13:58
			ECA NO	DATE
DESIGNED	WANGCHAO 00206448	HL3KIWITM	03023EJB_SCHZH	
REVIEWED	YUJUNFENG 00258619			
		VER	PART_NUMBER	SHEET 14 MSM8939 GND and NC
			03023EJB	HUAWEI TECH CO.,LTD.

16. Battery/Micro USB Connector

Battery Connector

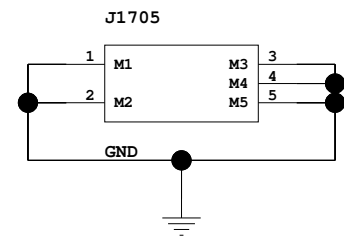
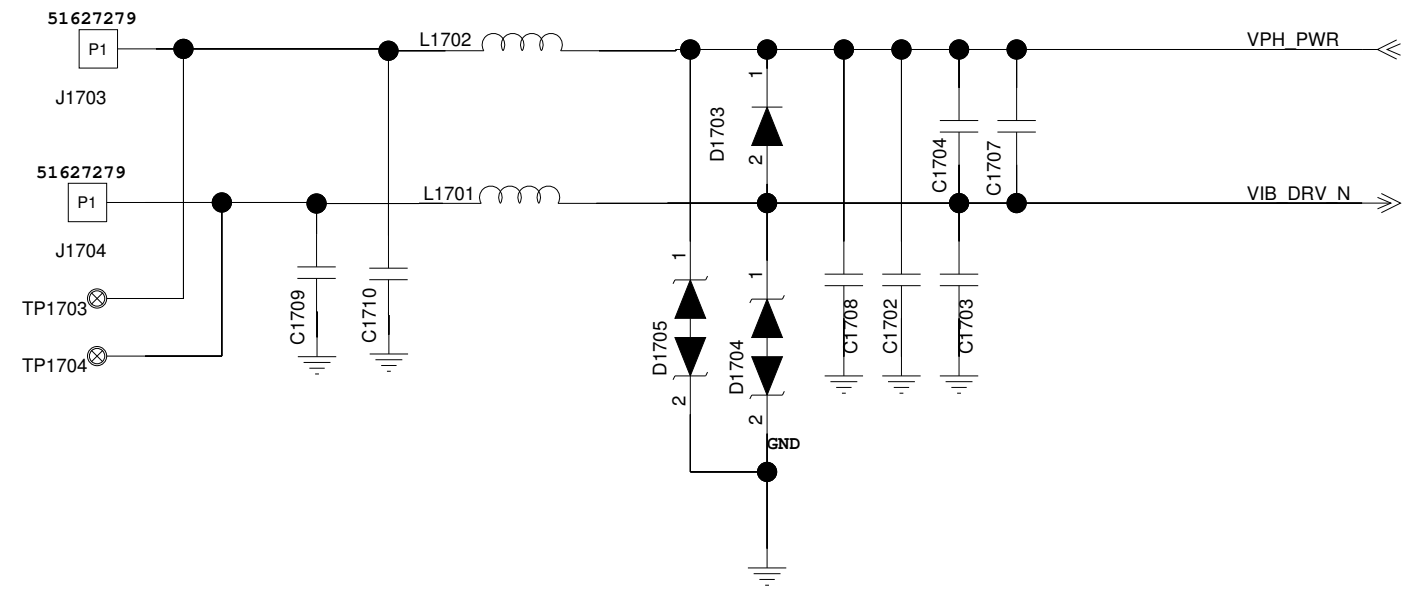


The type and specification of the components refer to the BOM

				21-12-2015_13:59
			ECA NO	DATE
DESIGNED	WANGCHAO 00206448	HL3KIWITM		03023EJB_SCHZH
REVIEWED	YUJUNFENG 00258619	VER	PART_NUMBER	SHEET 16_Battery/Micro USB Connector
			03023EJB	HUAWEI TECH CO.,LTD.

17. Speaker and Vibrator

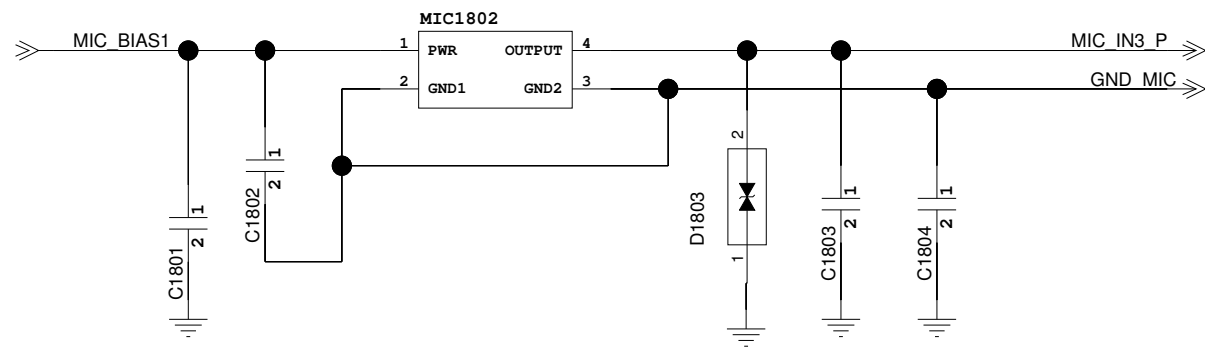
Motor 32050045



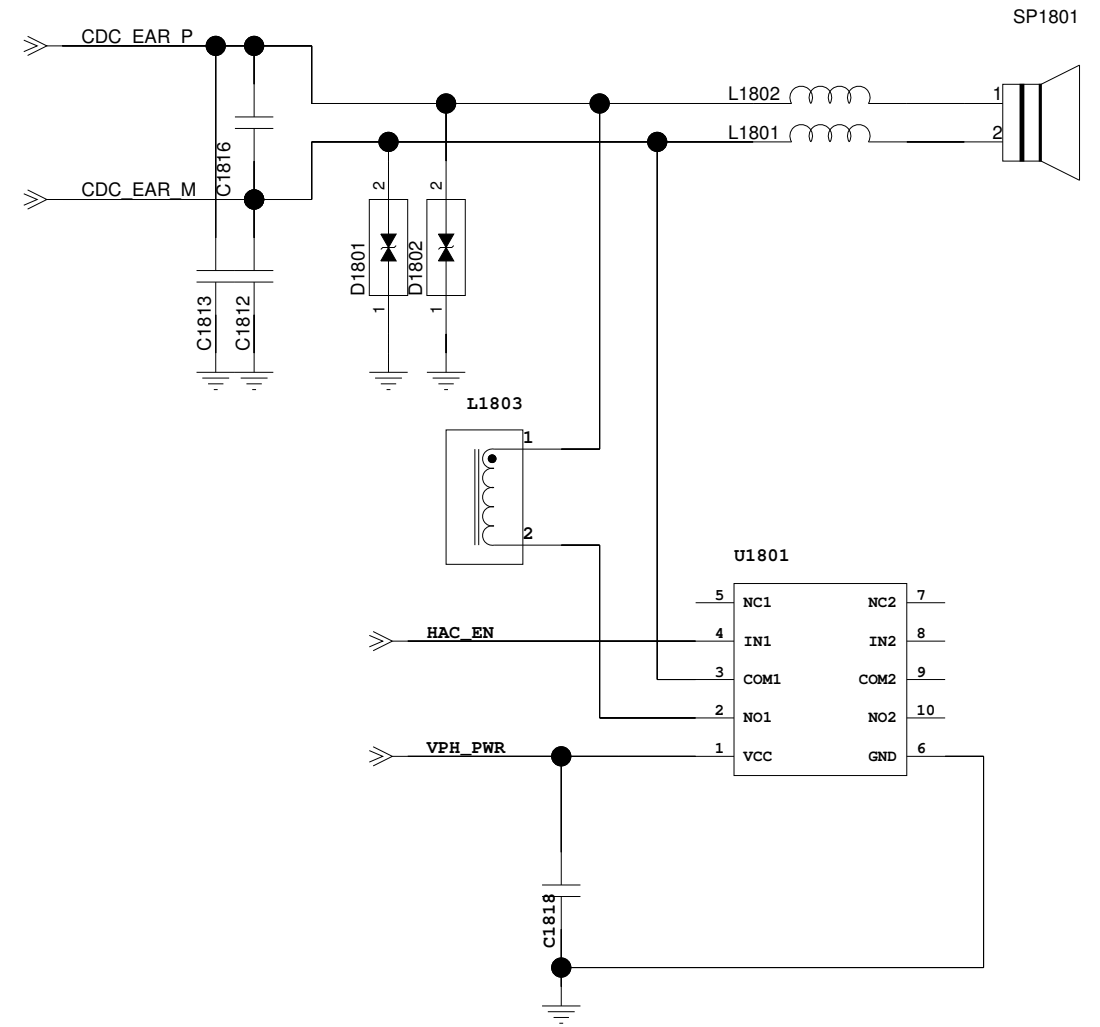
The type and specification of the components refer to the BOM

				21-12-2015_14:00
			ECA NO	DATE
DESIGNED	WANGCHAO 00206448	HL3KIWITM		03023EJB_SCHZH
REVIEWED	YUJUNFENG 00258619			
		VER	PART_NUMBER	SHEET 17_Speaker and Vibrator
			03023EJB	HUAWEI TECH CO.,LTD.

18. MIC and Receiver



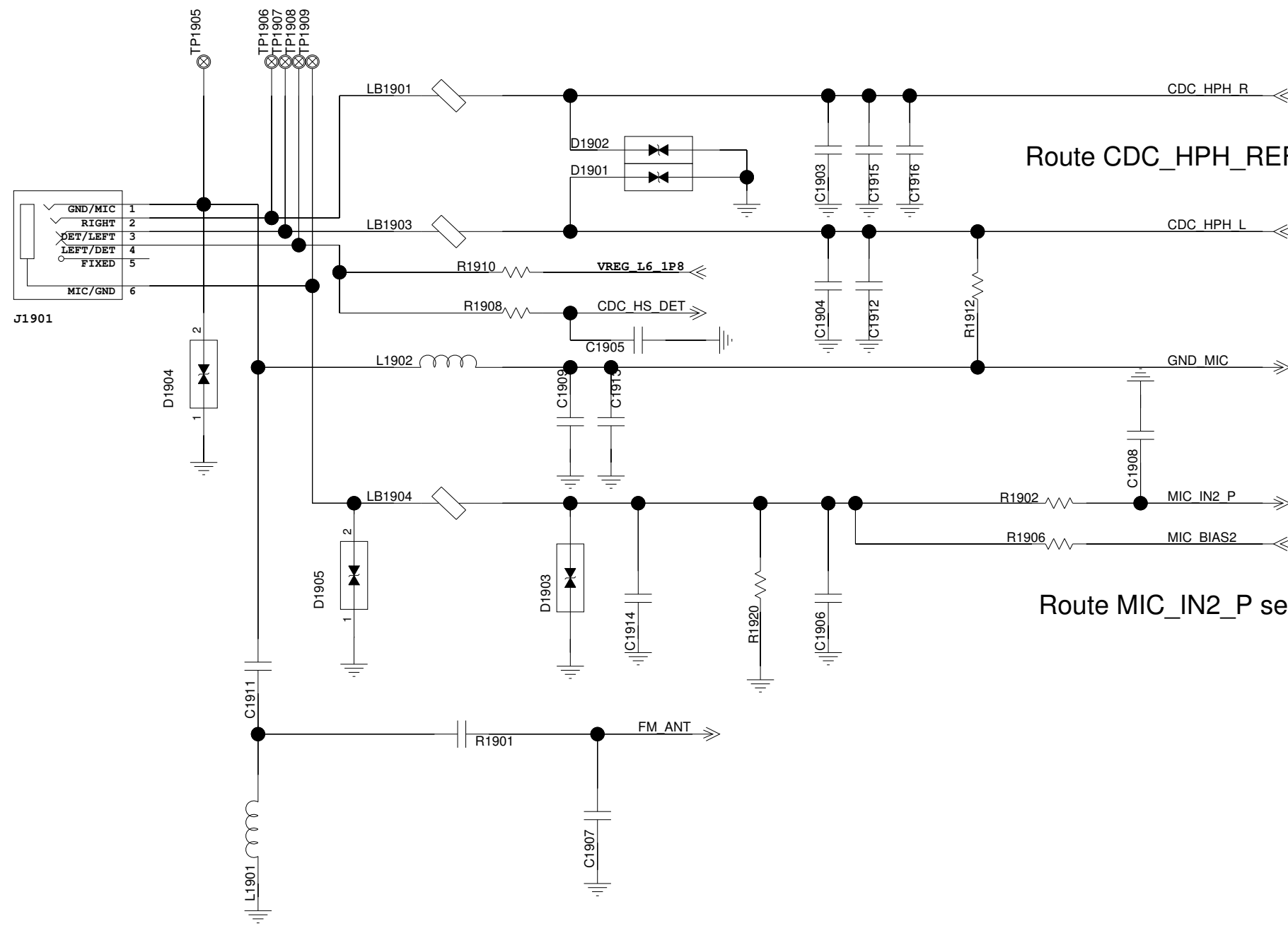
Receiver



The type and specification of the components refer to the BOM

				21-12-2015_14:00
			ECA NO	DATE
DESIGNED	WANGCHAO 00206448	HL3KIWITM		03023EJB_SCHZH
REVIEWED	YUJUNFENG 00258619	VER	PART_NUMBER	SHEET 18_M07 and Receiver
			03023EJB	HUAWEI TECH CO.,LTD.

19. Earphone



Route CDC_HPH_REF between CDC_HPH_L/R and together to CDC

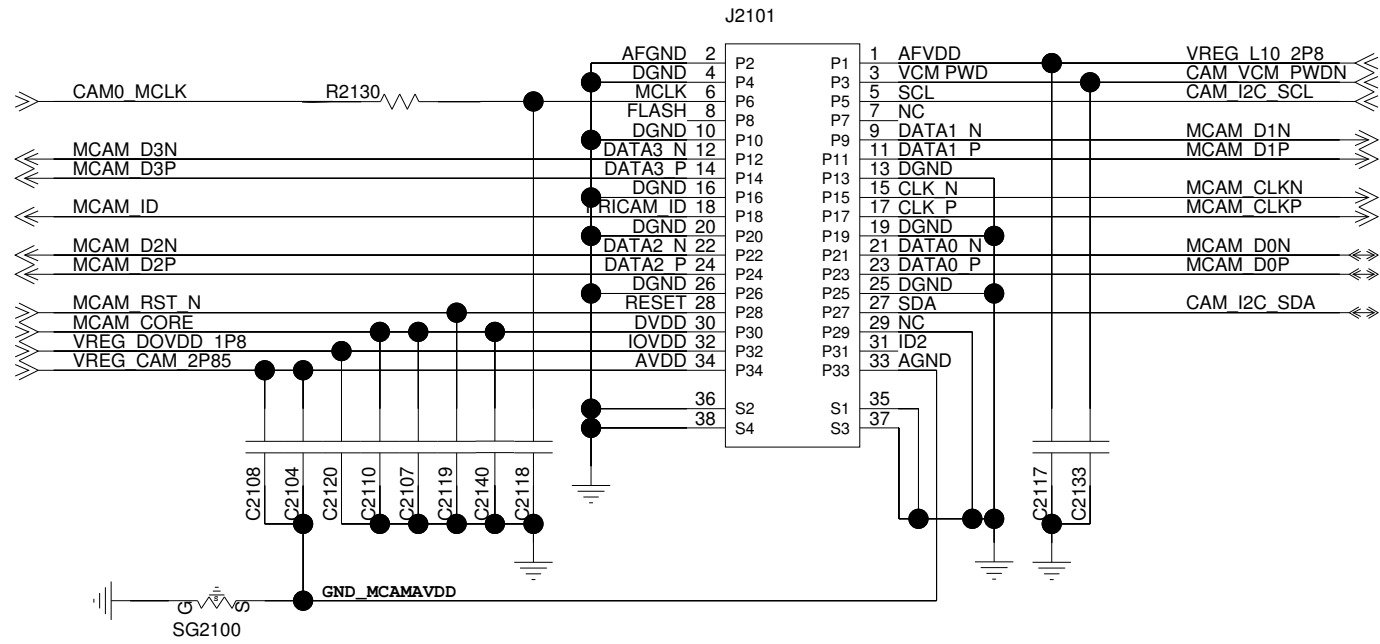
Route MIC_IN2_P separately with MIC_BIAS2 and shielded by ground

The type and specification of the components refer to the BOM

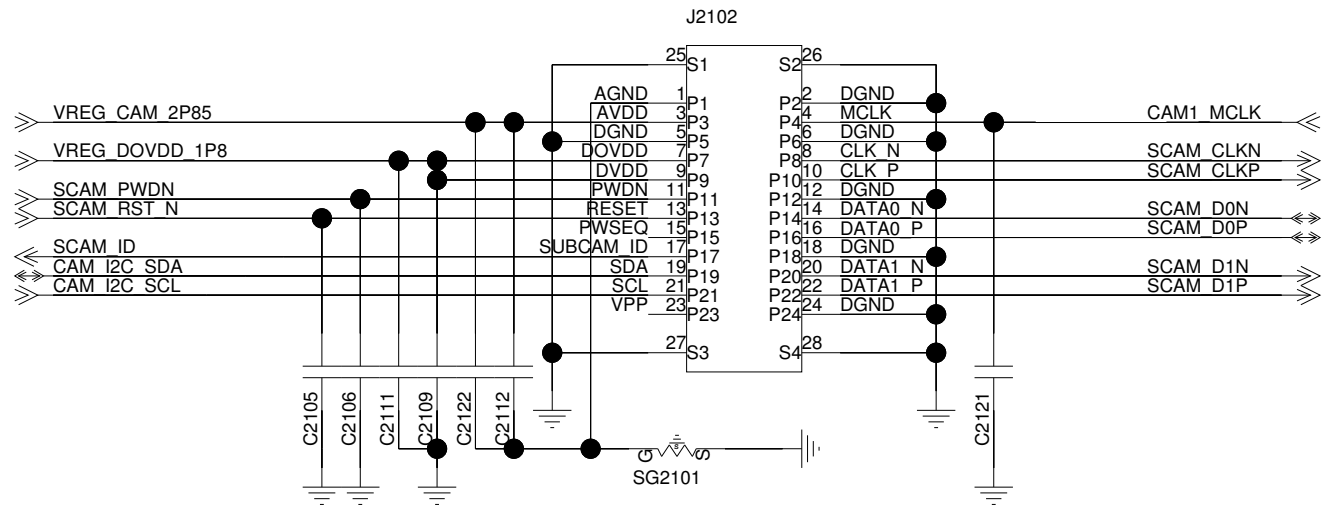
				21-12-2015_14:01
			ECA NO	DATE
DESIGNED	WANGCHAO 00206448	HL3KIWITM		03023EJB_SCHZH
REVIEWED	YUJUNFENG 00258619	VER	PART_NUMBER	SHEET 19 Earphone
			03023EJB	HUAWEI TECH CO.,LTD.

21. Camera

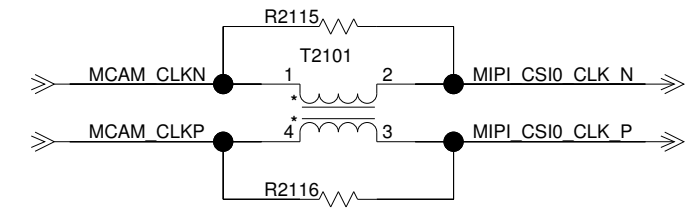
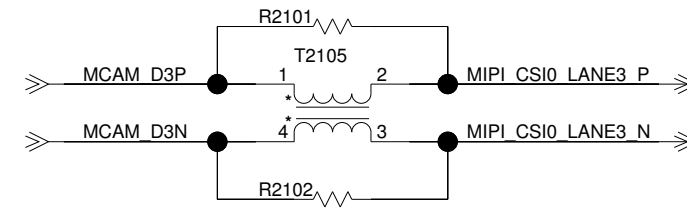
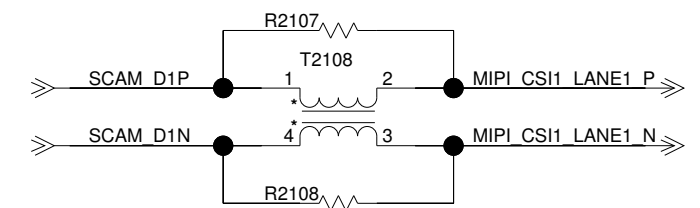
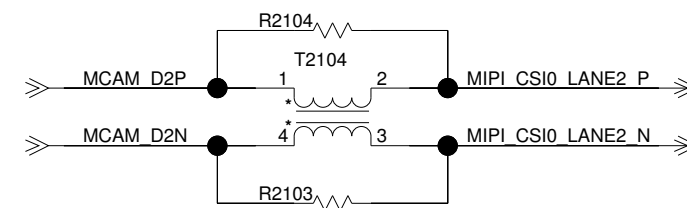
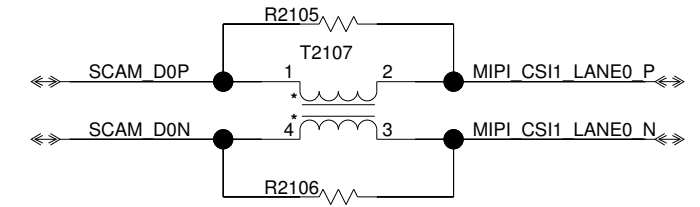
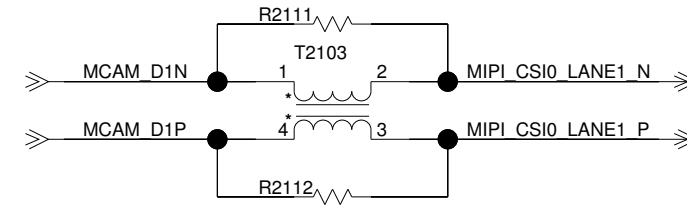
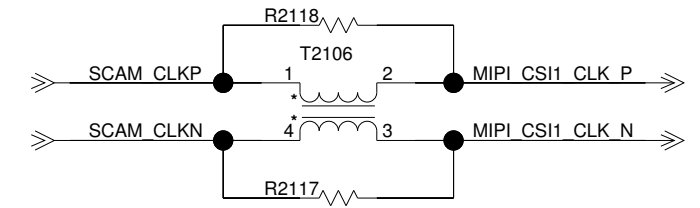
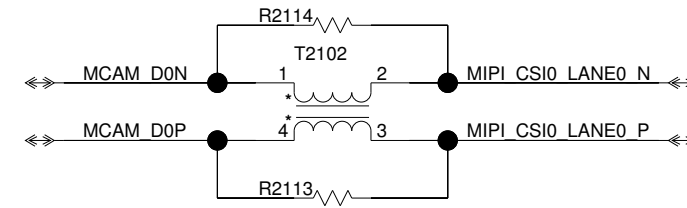
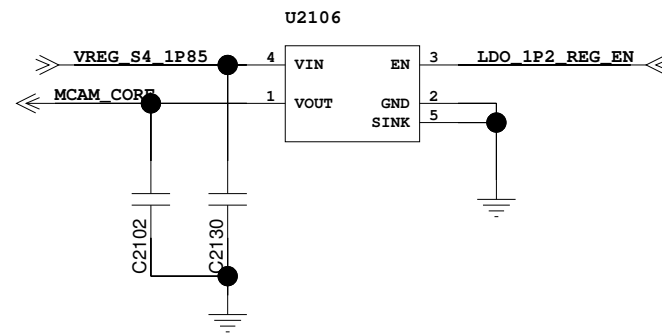
13M Main 23060156



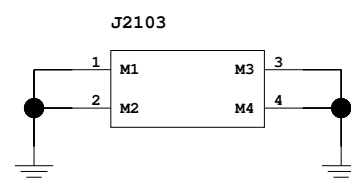
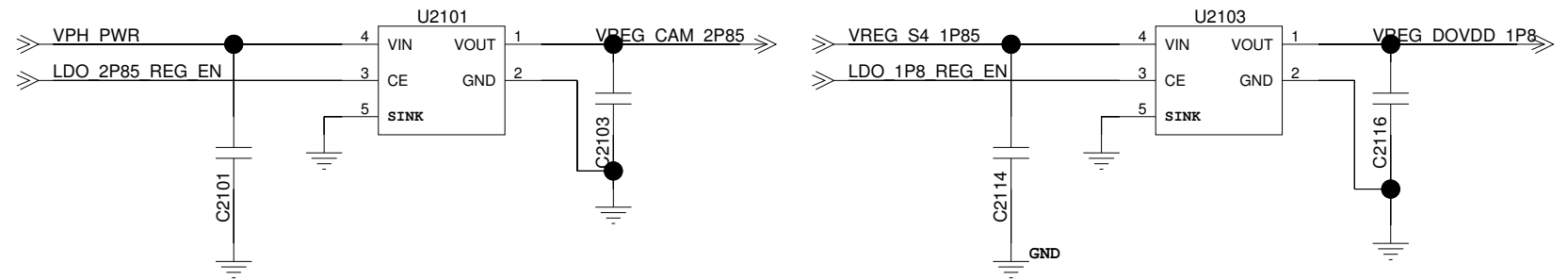
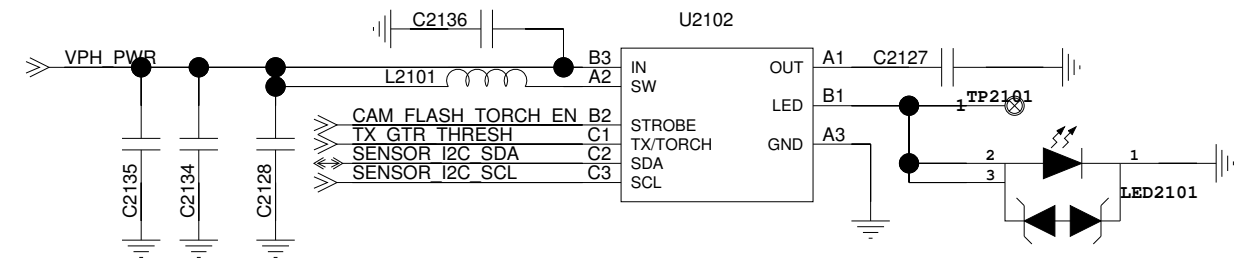
5M Sub 23060132



MCAM_CORE 1.1V



Flash Light



Secondary camera bracket

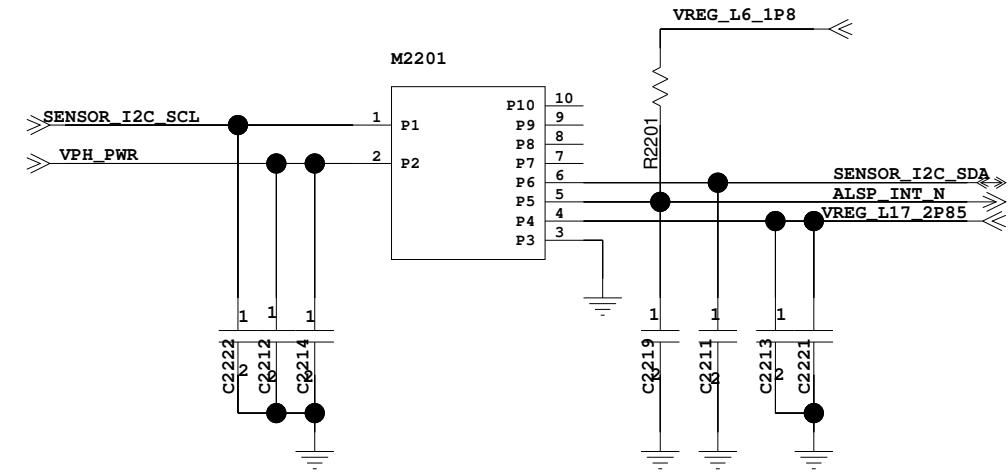
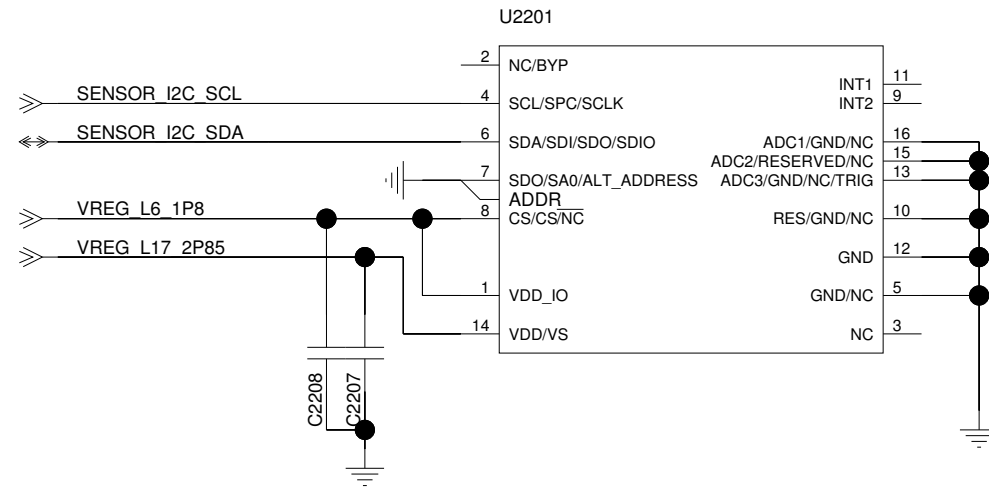
The type and specification of the components refer to the BOM

				21-12-2015_14:01
			ECA NO	DATE
DESIGNED	WANGCHAO 00206448	HL3KIWITM		03023EJB_SCHZH
REVIEWED	YUJUNFENG 00258619			
		VER	PART_NUMBER	SHEET 21_Camera 60
			03023EJB	HUAWEI TECH CO.,LTD.

22. Sensor

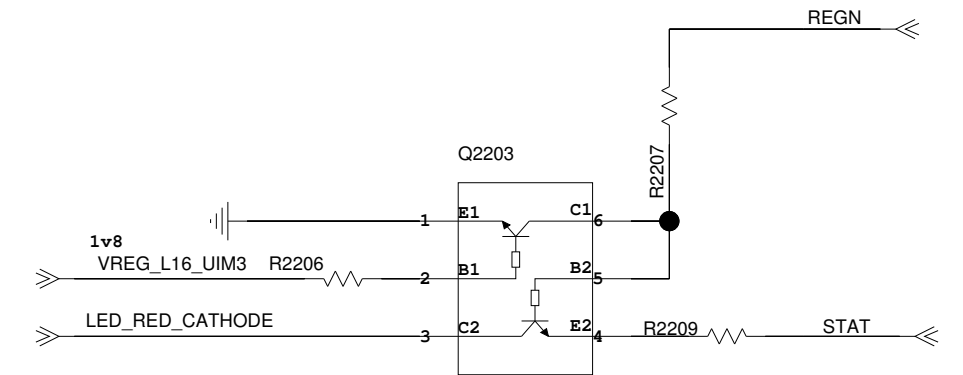
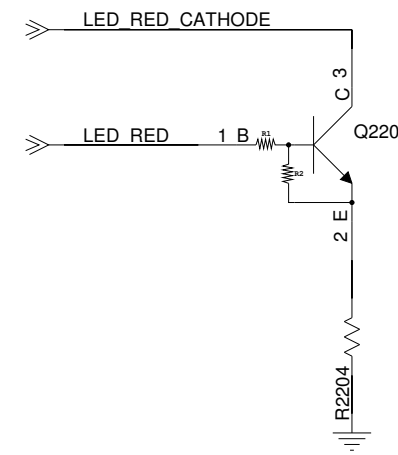
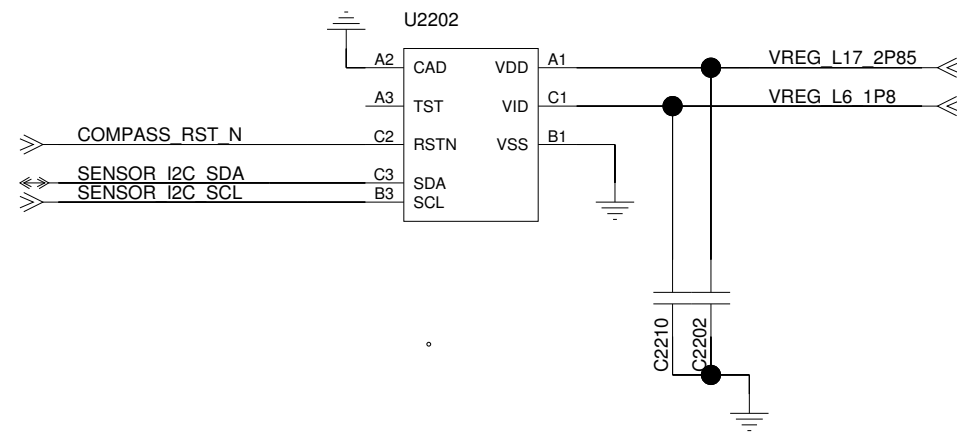
Accelerometer

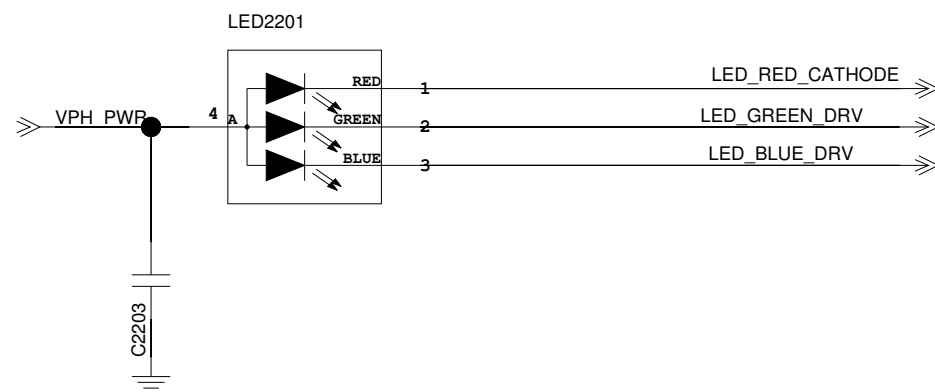
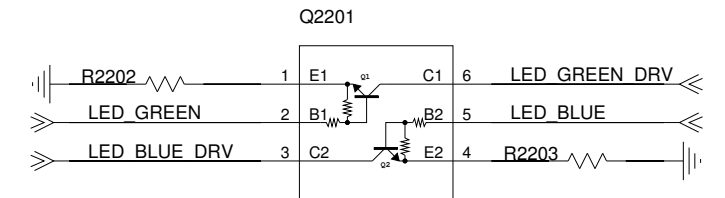
Ambient Light



Compass

Status indicator driver





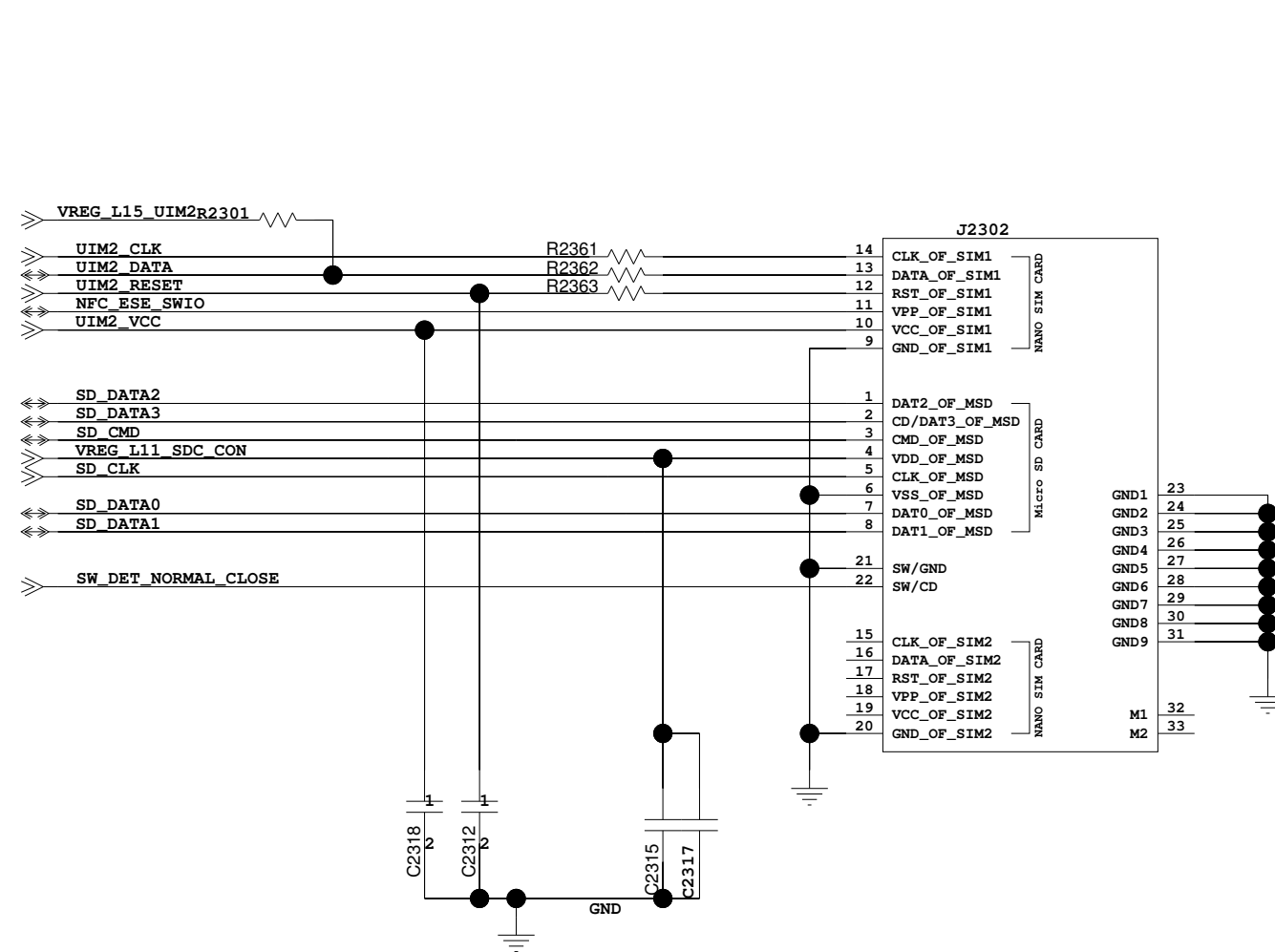
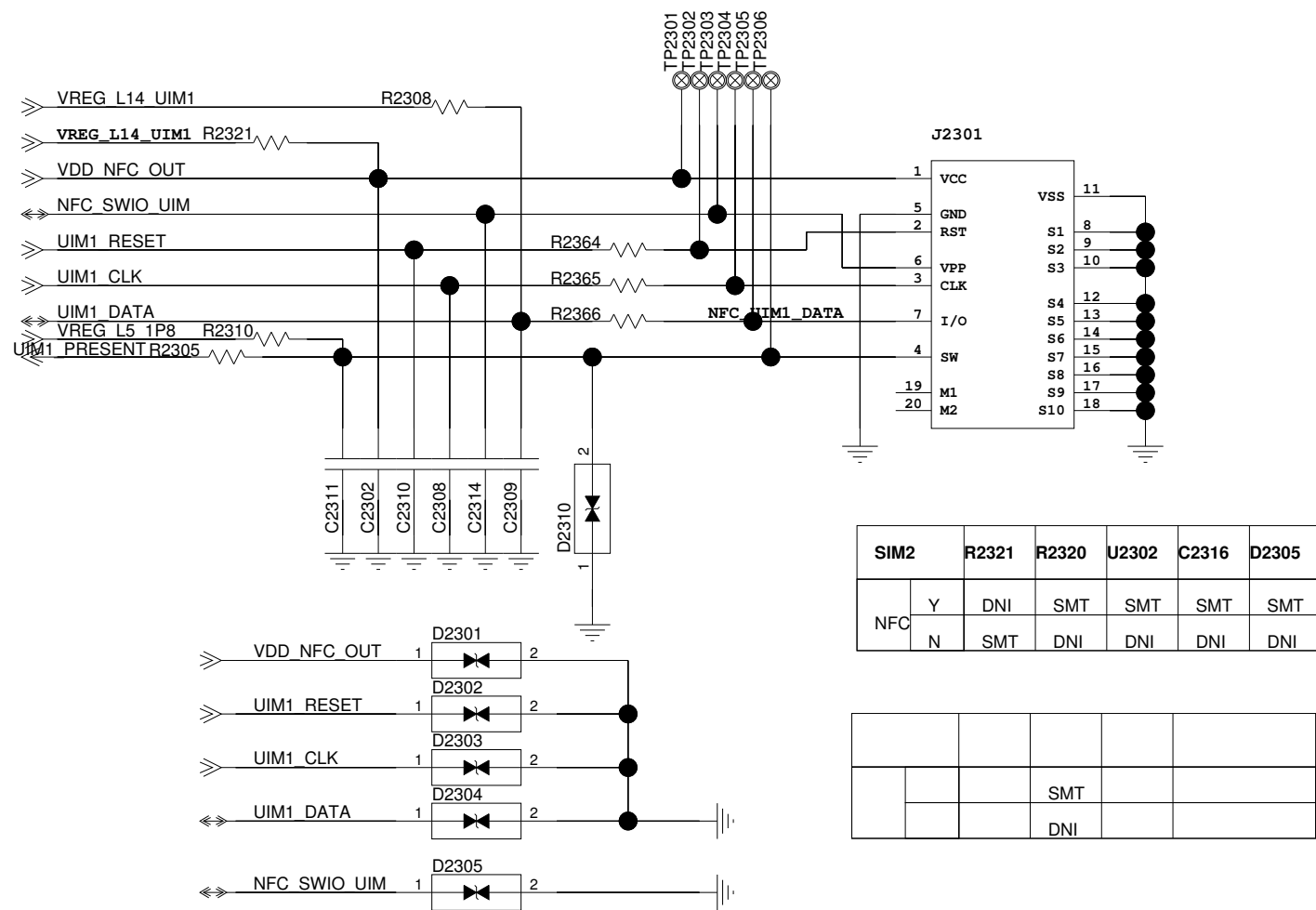
The type and specification of the components refer to the BOM

				21-12-2015_14:02
			ECA NO	DATE
DESIGNED	WANGCHAO 00206448	HL3KIWITM		03023EJB_SCHZH
REVIEWED	YUJUNFENG 00258619	VER	PART_NUMBER	SHEET 22_Sensor 69
			03023EJB	HUAWEI TECH CO.,LTD.

23. SIM/TF Card

SIM Card 1 TDL/UL/TDS/WCDMA/CDMA/GSM

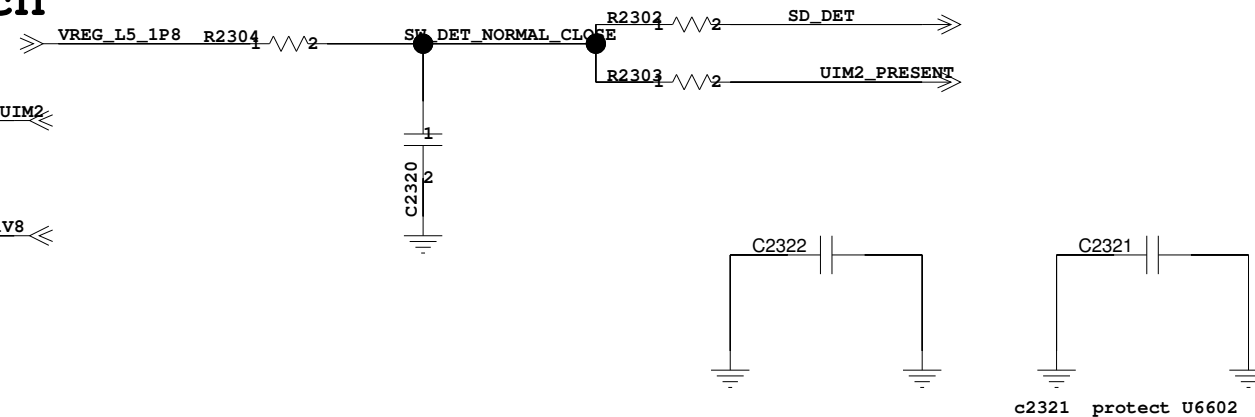
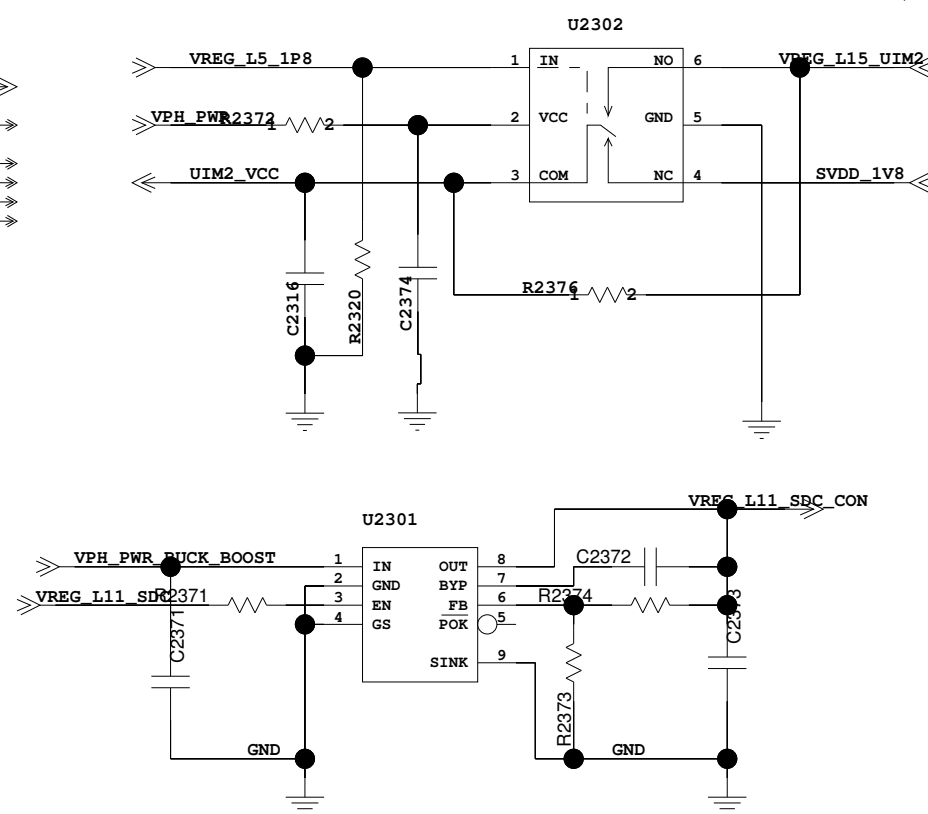
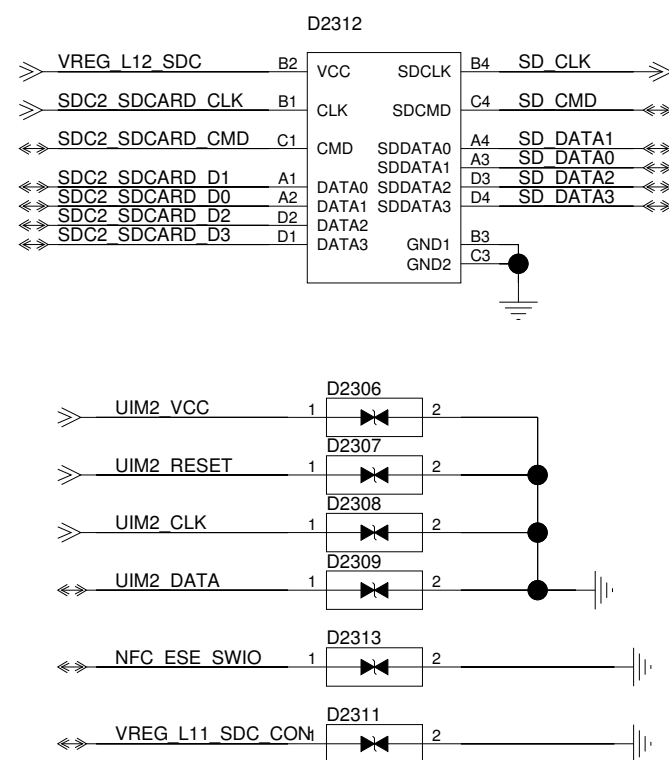
Nano SIM Card 2 and Micro SD



TF Card EMI/ESD

Nano SIM Card Power Switch

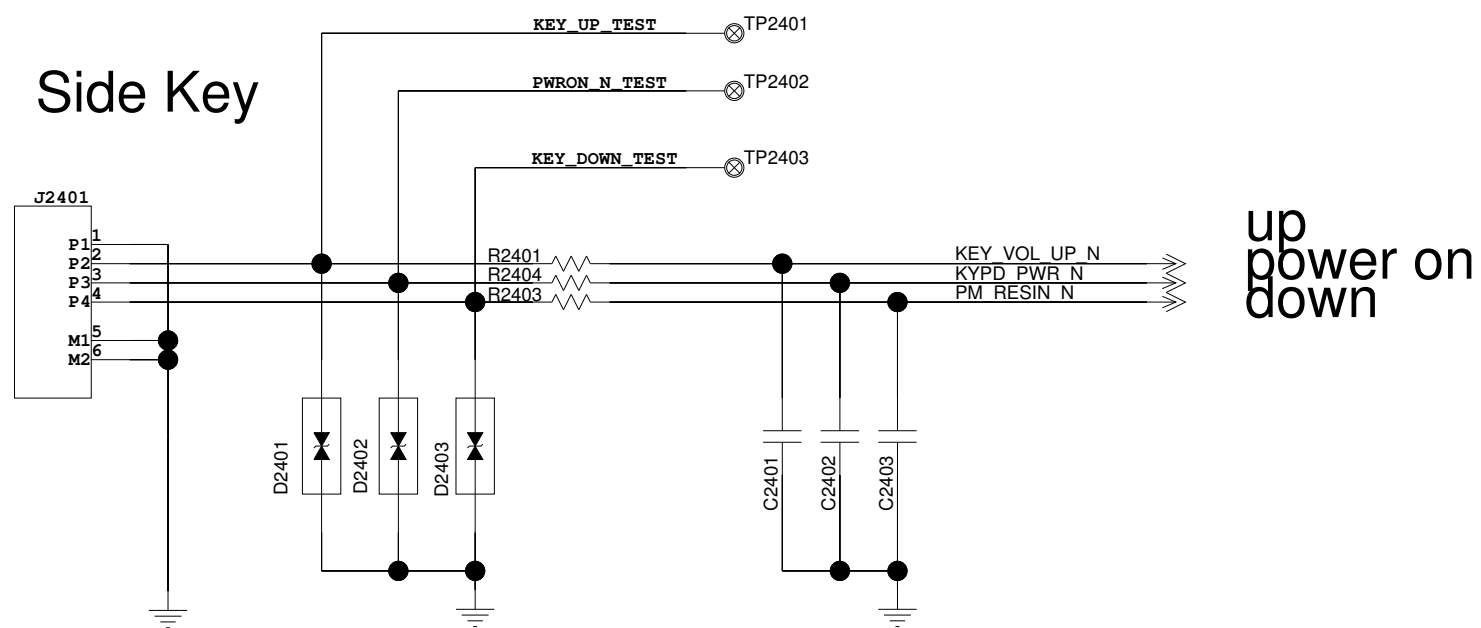
Layout close to the socket



The type and specification of the components refer to the BOM

				21-12-2015_14:02
			ECA NO	DATE
DESIGNED	WANGCHAO 00206448	HL3KIWITM		03023EJB_SCHZH
REVIEWED	YUJUNFENG 00258619	VER	PART_NUMBER	SHEET 23 SIM/TF Card
			03023EJB	HUAWEI TECH CO.,LTD.

24. Sidekey



The type and specification of the components refer to the BOM

				21-12-2015_14:02
			ECA NO	DATE
DESIGNED	WANGCHAO 00206448	HL3KIWITM		03023EJB_SCHZH
REVIEWED	YUJUNFENG 00258619			
		VER	PART_NUMBER	SHEET 24_Sidekey/68 Status indicator
			03023EJB	HUAWEI TECH CO.,LTD.

1

2

3

4

5

6

25. CTP

A

A

B

B

C

C

D

D

The type and specification of the components refer to the BOM

					21-03-2015_15:06
				ECA NO	DATE
DESIGNED	WANGCHAO 00206448	HL3KIWITM		03023EJB_SCHZH	
REVIEWED	YUJUNFENG 00258619				
		VER	PART_NUMBER	SHEET 25_CTP interface	
			03023EJB	HUAWEI TECH CO.,LTD.	

1

2

3

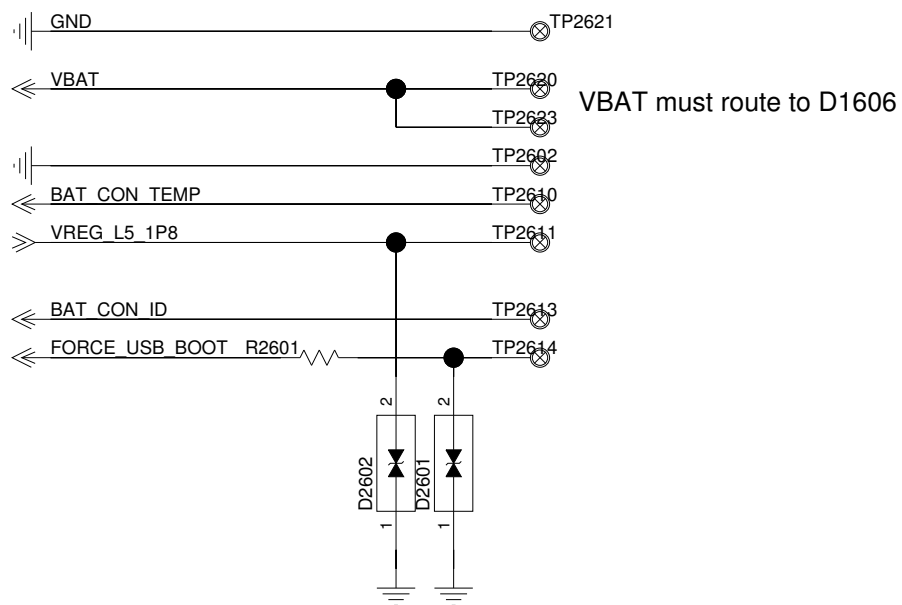
4

5

6

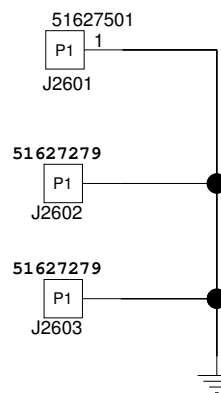
26. Test Points/GND/Mark Points

CT BT

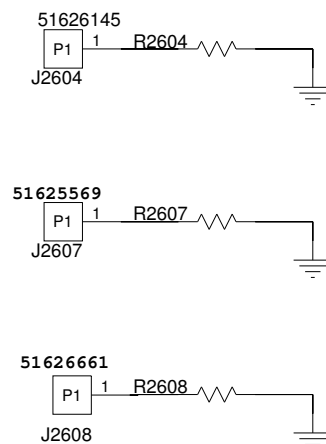


GND springs

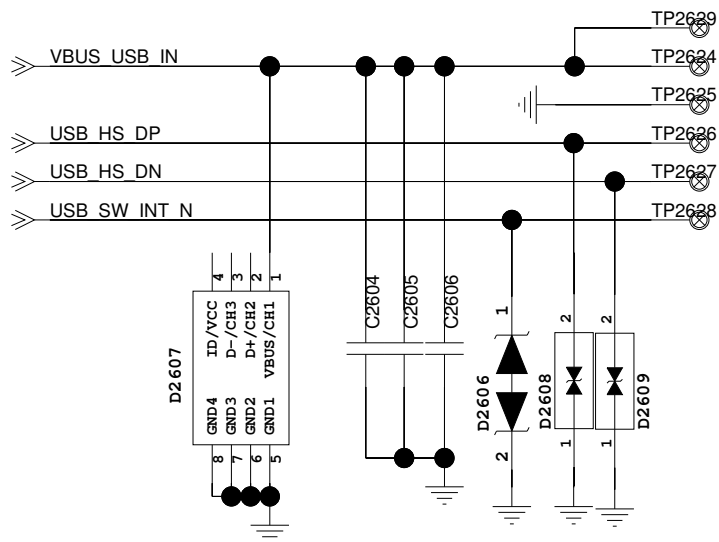
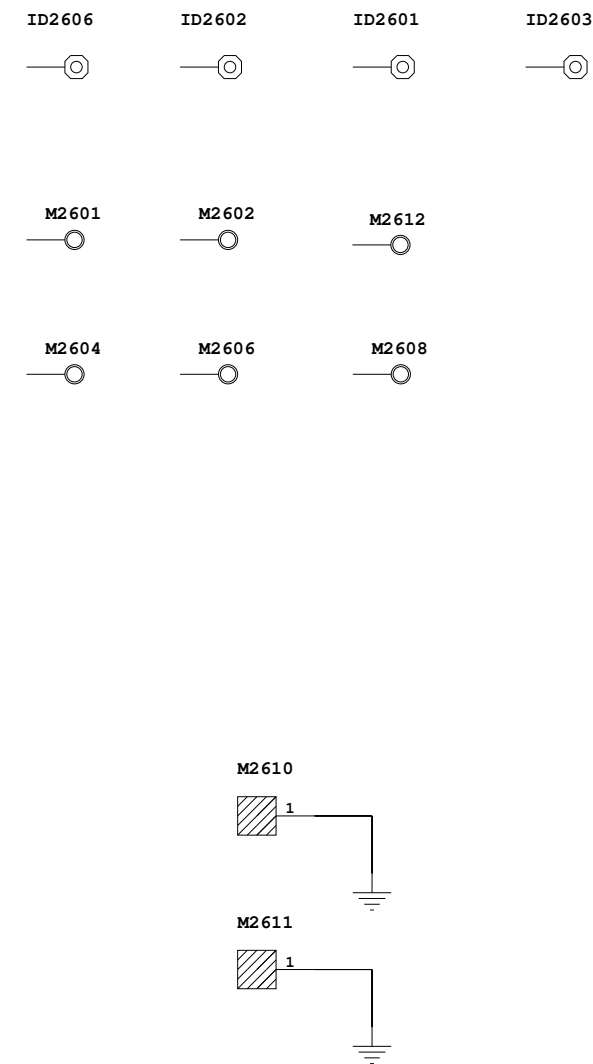
upper part



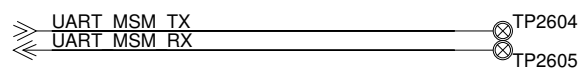
beside motor



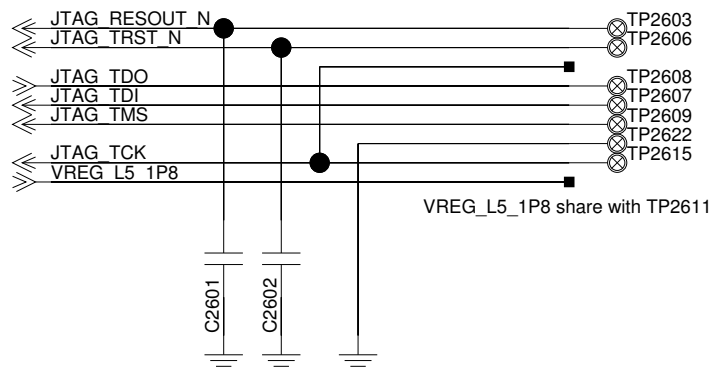
MARK POINT



Debug UART



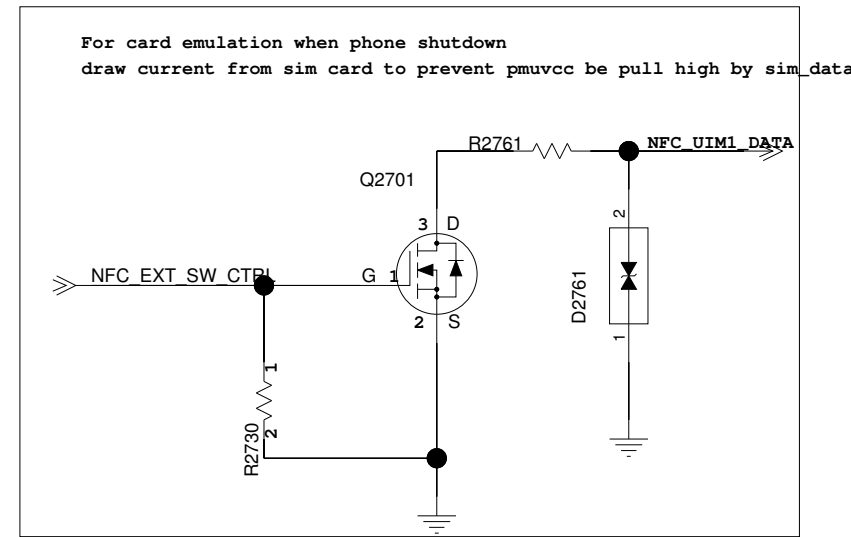
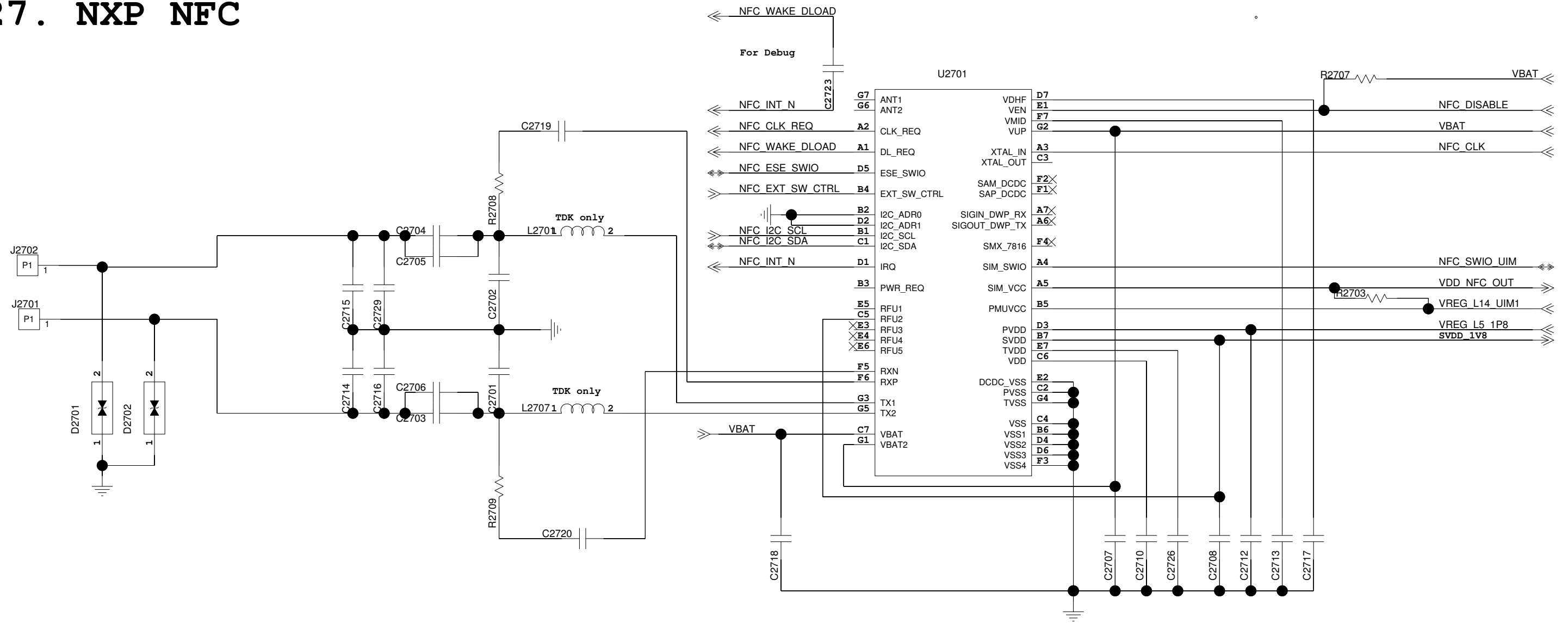
JTAG



The type and specification of the components refer to the BOM

				21-12-2015_14:03
			ECA NO	DATE
DESIGNED	WANGCHAO 00206448	HL3KIWITM		03023EJB_SCHZH
REVIEWED	YUJUNFENG 00258619	VER	PART_NUMBER	SHEET 26 Test Points/GND/Mark Po
			03023EJB	HUAWEI TECH CO.,LTD.

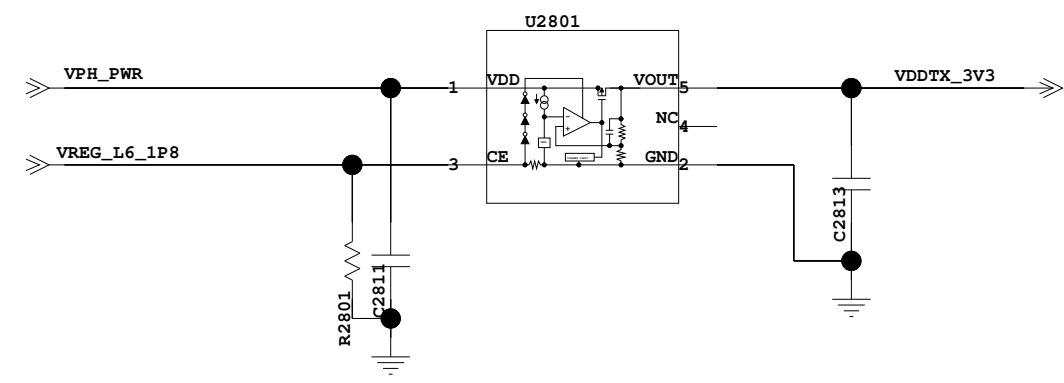
27. NXP NFC



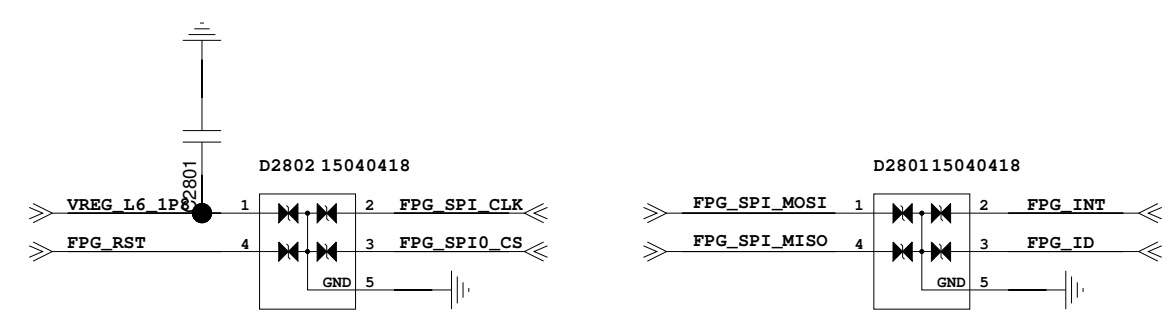
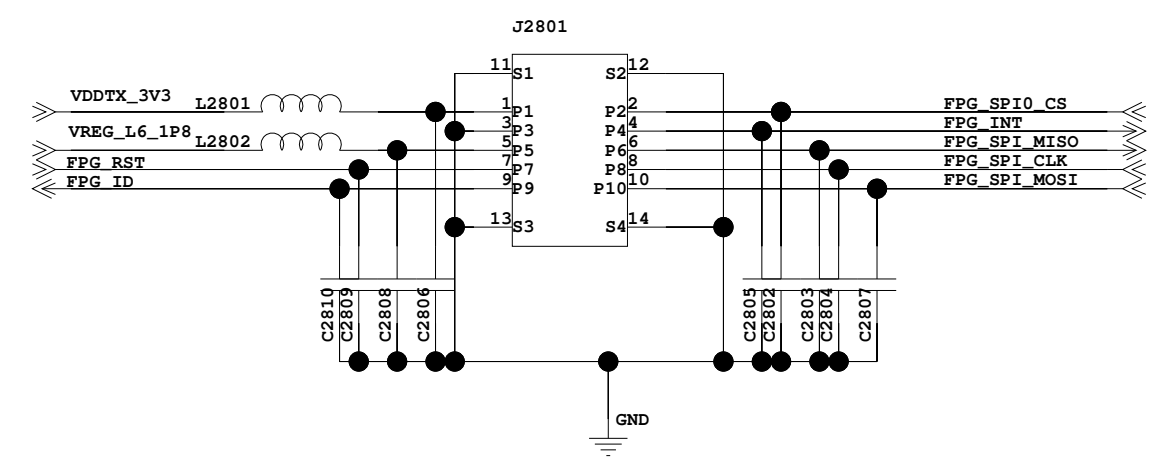
The type and specification of the components refer to the BOM

				NA	2014-12-1
				ECA NO	DATE
DESIGNED	WANGCHAO 00206448	HL3KIWITM		03023EJB_SCHZH	
REVIEWED	YUJUNFENG 00258619				
		VER	PART_NUMBER	SHEET	27 NXP NFC 69
			03023EJB	HUAWEI TECH CO.,LTD.	

A



Fingerprint Sensor BTB



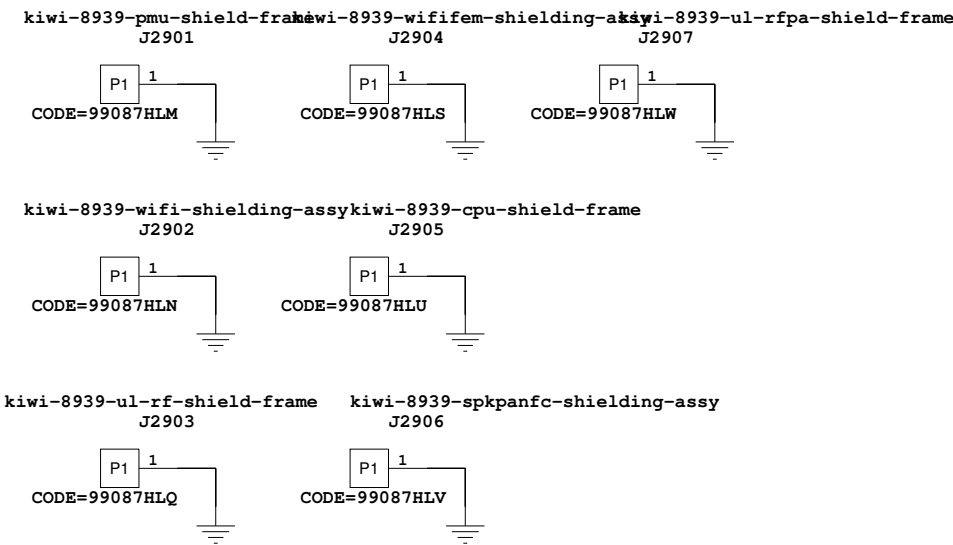
The type and specification of the components refer to the BOM

				21-12-2015_14:03
			ECA NO	DATE
DESIGNED	WANGCHAO 00206448	HL3KIWITM		03023EJB_SCHZH
REVIEWED	YUJUNFENG 00258619	VER	PART_NUMBER	SHEET 28_Fingerprint Sensor
			03023EJB	HUAWEI TECH CO.,LTD.

D

D

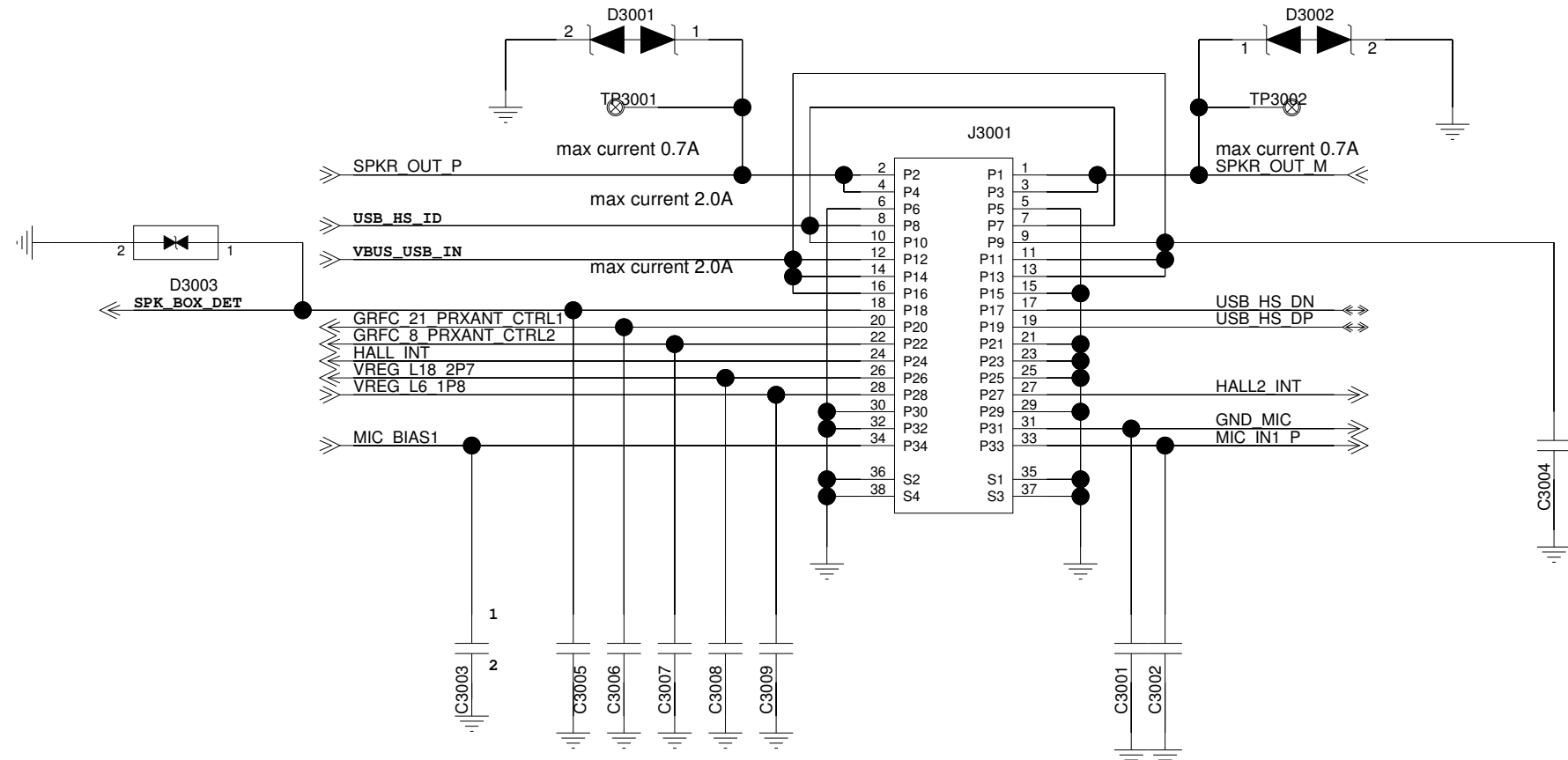
29. Shields



The type and specification of the components refer to the BOM

					31-03-2015_16:09
				ECA NO	DATE
DESIGNED	WANGCHAO 00206448	HL3KIWITM		03023EJB_SCHZH	
REVIEWED	YUJUNFENG 00258619	VER	PART_NUMBER	SHEET 29 Shields 69	
			03023EJB	HUAWEI TECH CO.,LTD.	

30. RESERVED



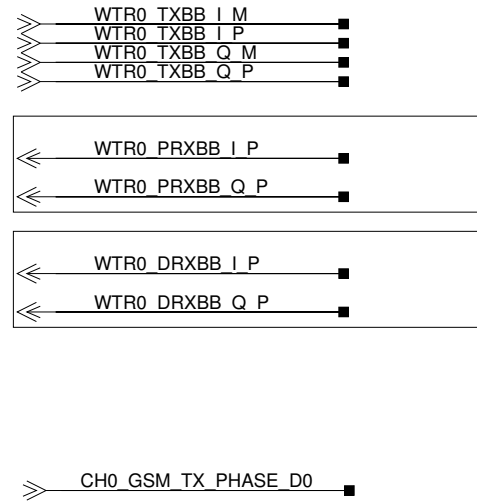
The type and specification of the components refer to the BOM

					2014.12.11
				ECA NO	DATE
DESIGNED	WANGCHAO 00206448	HL3KIWITM		03023EJB_SCHZH	
REVIEWED	YUJUNFENG 00258619	VER	PART_NUMBER	SHEET	30-Connector69
			03023EJB	HUAWEI TECH CO.,LTD.	

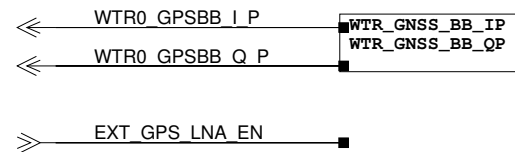
31.RF Interface

- 32. GSM/CDMA 1X (Voice) Antenna Switch
- 33. LTE/UMTS/TD/GSM Antenna Switcher
- 34 backup
- 35 backup
- 36. CDMA BC0 (Voice) TRX
- 37. MMMBPA
- 38. MATCHING CIRCUIT of MMMBPA
- 39. TRX_LTE/UMTS_B1
- 40. TRX_UMTS_B2
- 41. TRX_UMTS_B5
- 42 TRX_LTE_B3
- 43 RX_GSM900
- 44. backup
- 45. backup
- 46. backup
- 47 TRX_TDD_B41
- 48 TRX_TDD_B40
- 49 TDL_RX Switch_B41/B40
- 50. backup
- 51. backup
- 52. backup
- 53. backup
- 54 WTR2605 CIRCUIT
- 55 WTR2605 POWER DISTRIBUTION
- 56.WTR1605L
- 57. WTR 1605L PWR
- 58. ET_APT
- 59. GPS
- 60. WCN3620 BB
- 61. WCN3620 RF
- 62. backup
- 63.backup
- 64 DRX_LTE_B1_B3
- 65 DRX_LTE_B40_B41
- 66. backup
- 67.ANTENNA
- 68.CABLE

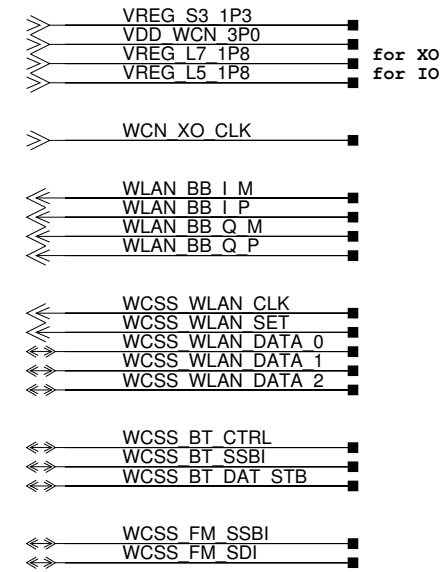
WTR0 RF Interface



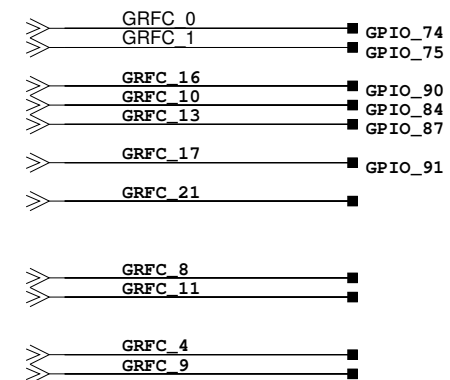
WTR0 GPS Interface



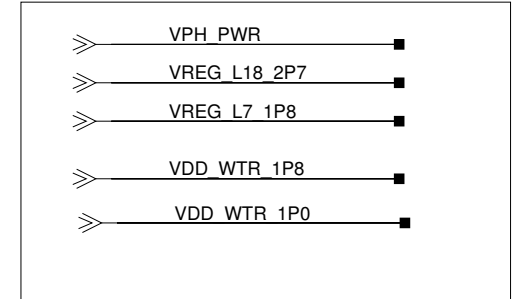
WCN Interface



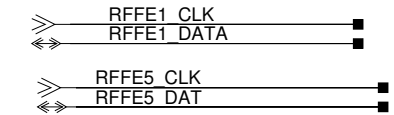
GPIO Interface



PWR Interface



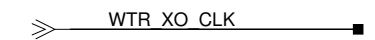
MIPI Interface



PA temperature



Clock Interface



The type and specification of the components refer to the BOM

					2014.10.15
				ECA NO	DATE
DESIGNED	WANGCHAO 00206448	HL3KIWITM		03023EJB_SCHZH	
REVIEWED	YUJUNFENG 00258619				
		VER	PART_NUMBER	SHEET 31 RF Interface	
			03023EJB	HUAWEI TECH CO.,LTD.	

32. Reserved

A

A

B

B

C

C

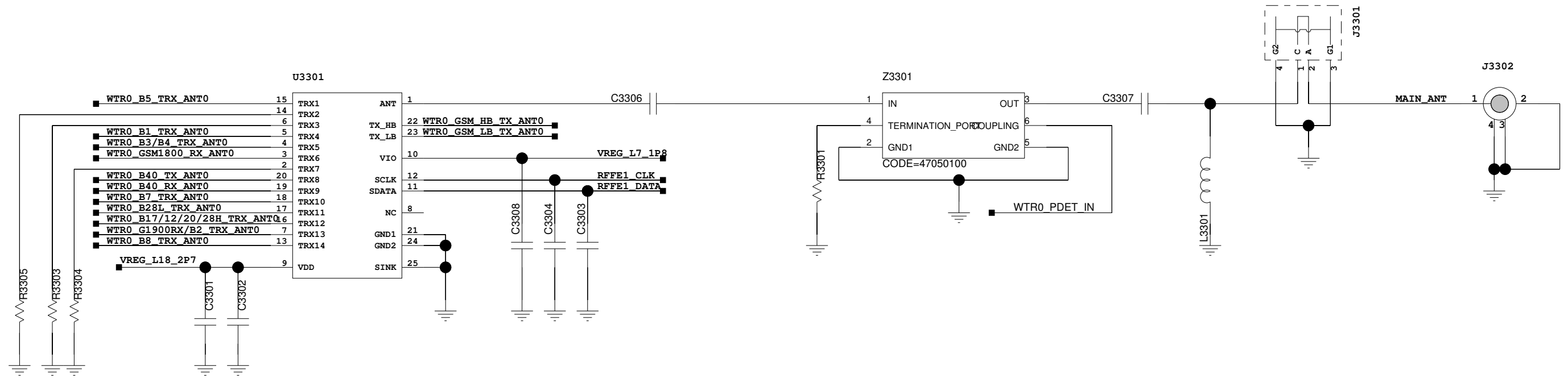
D

D

The type and specification of the components refer to the BOM

					2014.10.15
				ECA NO	DATE
DESIGNED	WANGCHAO 00206448	HL3KIWITM		03023EJB_SCHZH	
REVIEWED	YUJUNFENG 00258619				
		VER	PART_NUMBER	SHEET 32	of 69
			03023EJB	HUAWEI TECH CO.,LTD.	

33.LTE/UMTS/TD/GSM Antenna Switcher



The type and specification of the components refer to the BOM

					2014.10.15
				ECA NO	DATE
DESIGNED	WANGCHAO 00206448	HL3KIWITM		03023EJB_SCHZH	
REVIEWED	YUJUNFENG 00258619				
		VER	PART_NUMBER	SHEET	33 LTE/UMTS/TD/GSM Ant
			03023EJB	HUAWEI TECH CO.,LTD.	

1

2

3

4

5

6

34. Reserved

A

A

B

B

C

C

D

D

The type and specification of the components refer to the BOM

					2014.10.15
				ECA NO	DATE
DESIGNED	WANGCHAO 00206448	HL3KIWITM		03023EJB_SCHZH	
REVIEWED	YUJUNFENG 00258619				
		VER	PART_NUMBER	SHEET 34 of 69	
			03023EJB	HUAWEI TECH CO.,LTD.	

1

2

3

4

5

6

35. Reserved

A

A

B

B

C

C

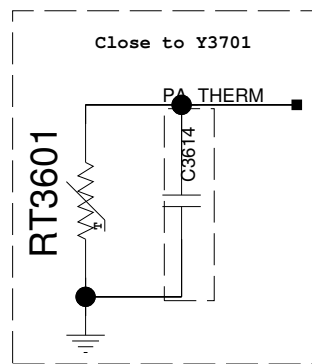
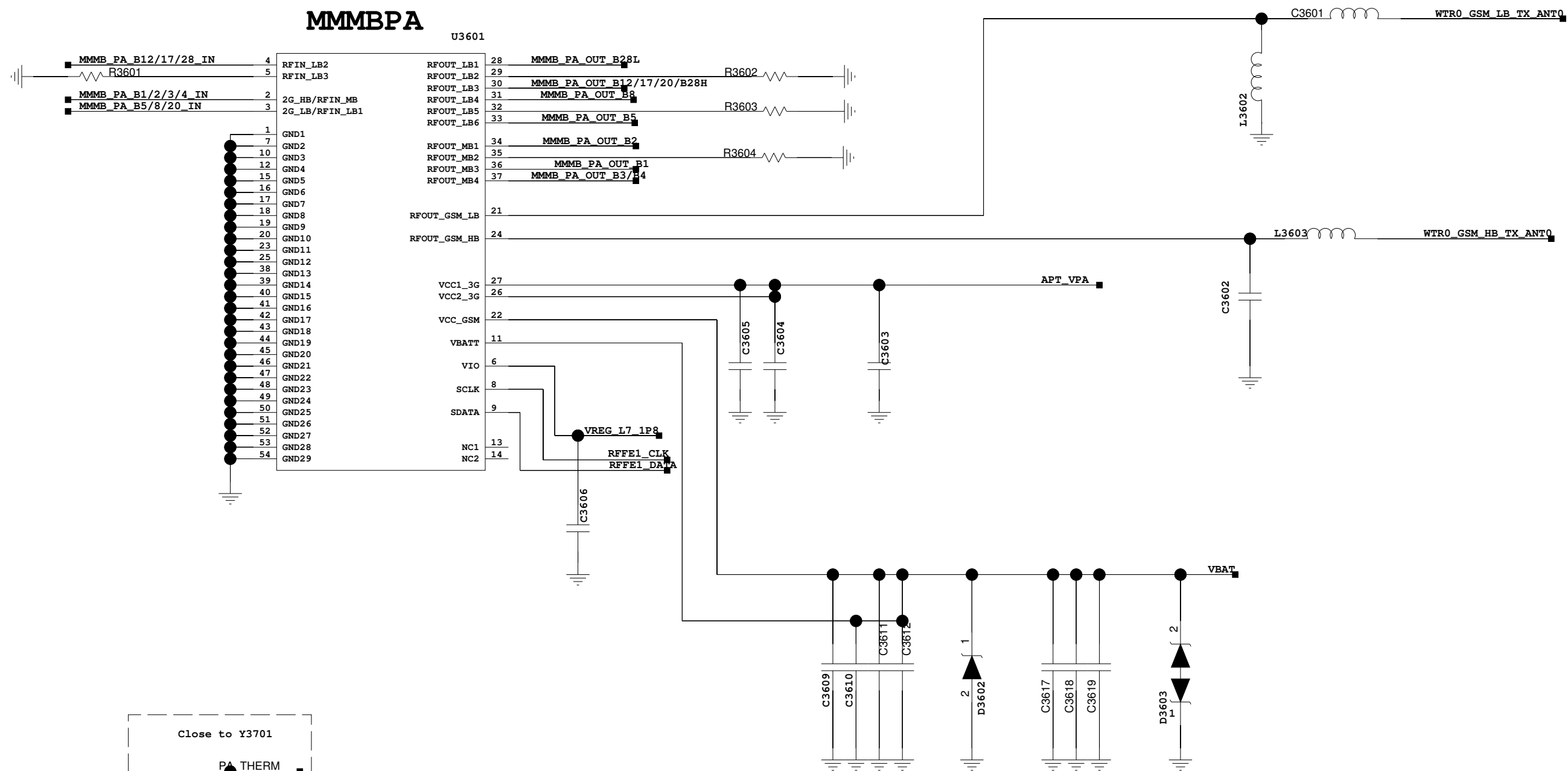
D

D

The type and specification of the components refer to the BOM

					2014.10.15
				ECA NO	DATE
DESIGNED	WANGCHAO 00206448	HL3KIWITM		03023EJB_SCHZH	
REVIEWED	YUJUNFENG 00258619				
		VER	PART_NUMBER	SHEET 35 Reserved	
			03023EJB	HUAWEI TECH CO.,LTD.	

36. MMMB PA



The type and specification of the components refer to the BOM

					2014.10.15
				ECA NO	DATE
DESIGNED	WANGCHAO 00206448	HL3KIWITM		03023EJB_SCHZH	
REVIEWED	YUJUNFENG 00258619	VER	PART_NUMBER	SHEET 36 MPA 5648	
			03023EJB	HUAWEI TECH CO.,LTD.	

37 Reserved

1 2 3 4 5 6

A

A

B

B

C

C

D

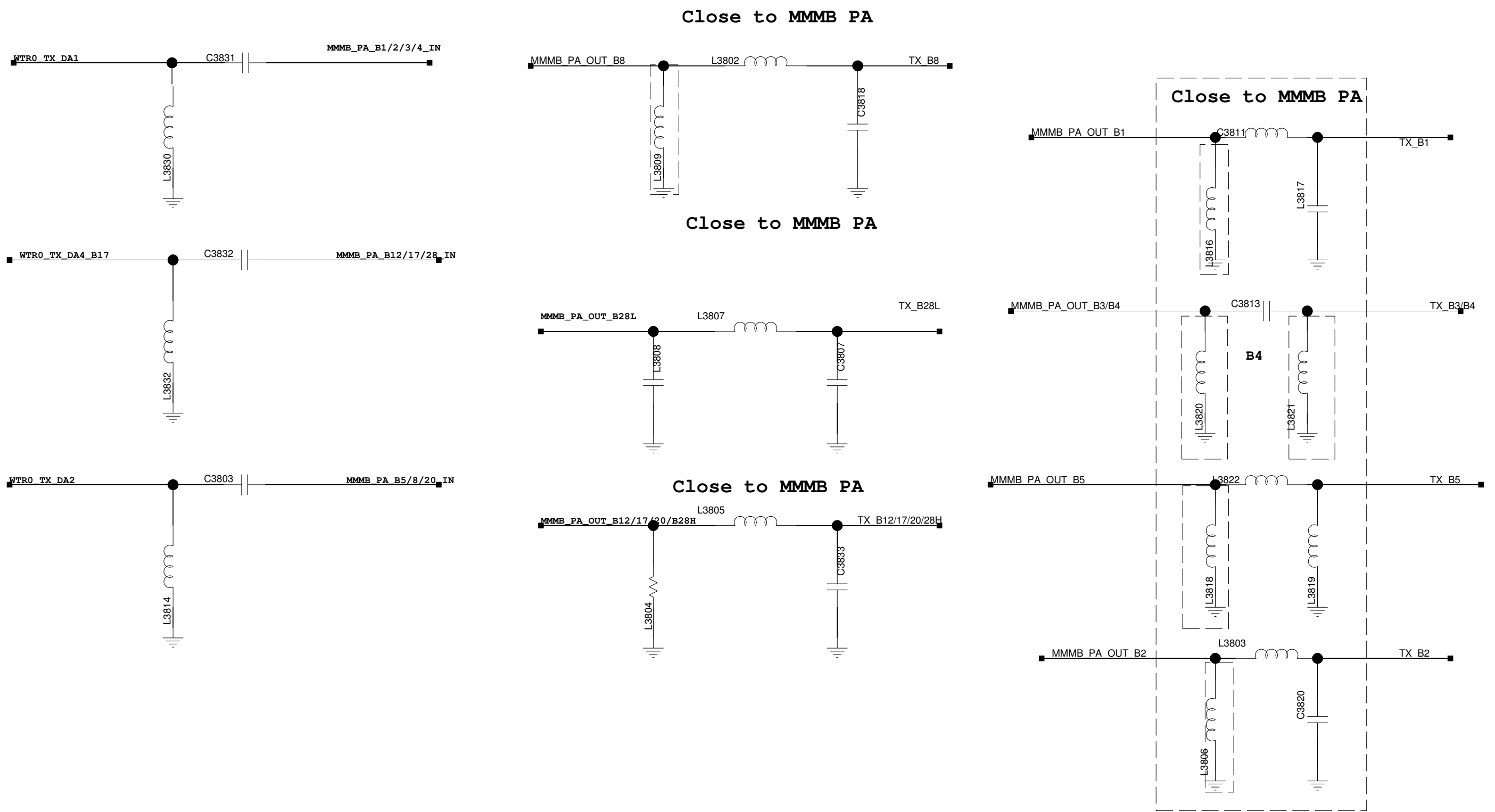
D

The type and specification of the components refer to the BOM

				NA	2014.10.15
				ECA NO	DATE
DESIGNED	WANGCHAO 00206448	HL3KIWITM		03023EJB_SCHZH	
REVIEWED	YUJUNFENG 00258619				
		VER	PART_NUMBER	SHEET 37 Reserved	
			03023EJB	HUAWEI TECH CO.,LTD.	

1 2 3 4 5 6

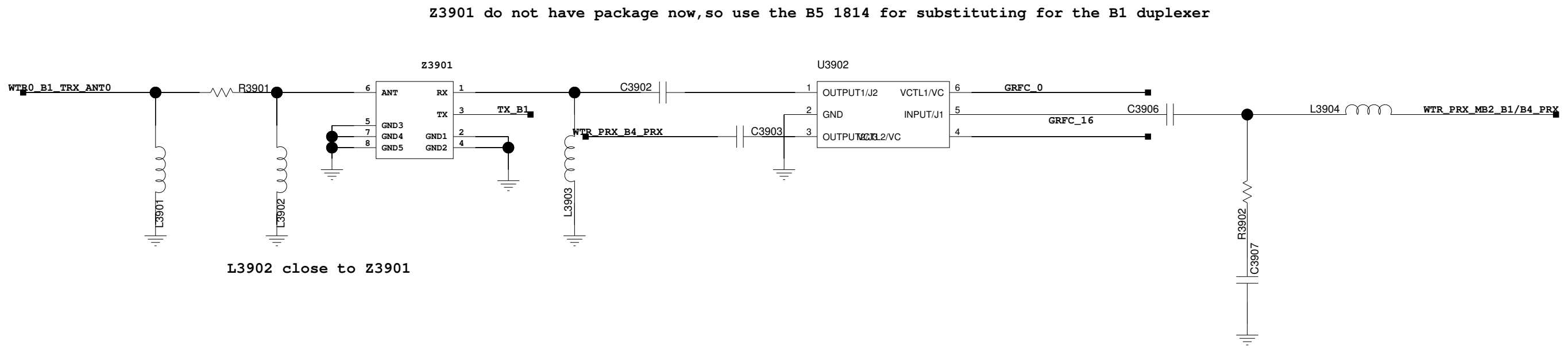
38 MATCHING CIRCUIT of MMMBPA



The type and specification of the components refer to the BOM

					2014.10.15
				ECA NO	DATE
DESIGNED	WANGCHAO 00206448	HL3KIWITM		03023EJB_SCHZH	
REVIEWED	YUJUNFENG 00258619	VER	PART_NUMBER	SHEET	38 MATCHING CIRCUIT
			03023EJB	HUAWEI TECH CO.,LTD.	

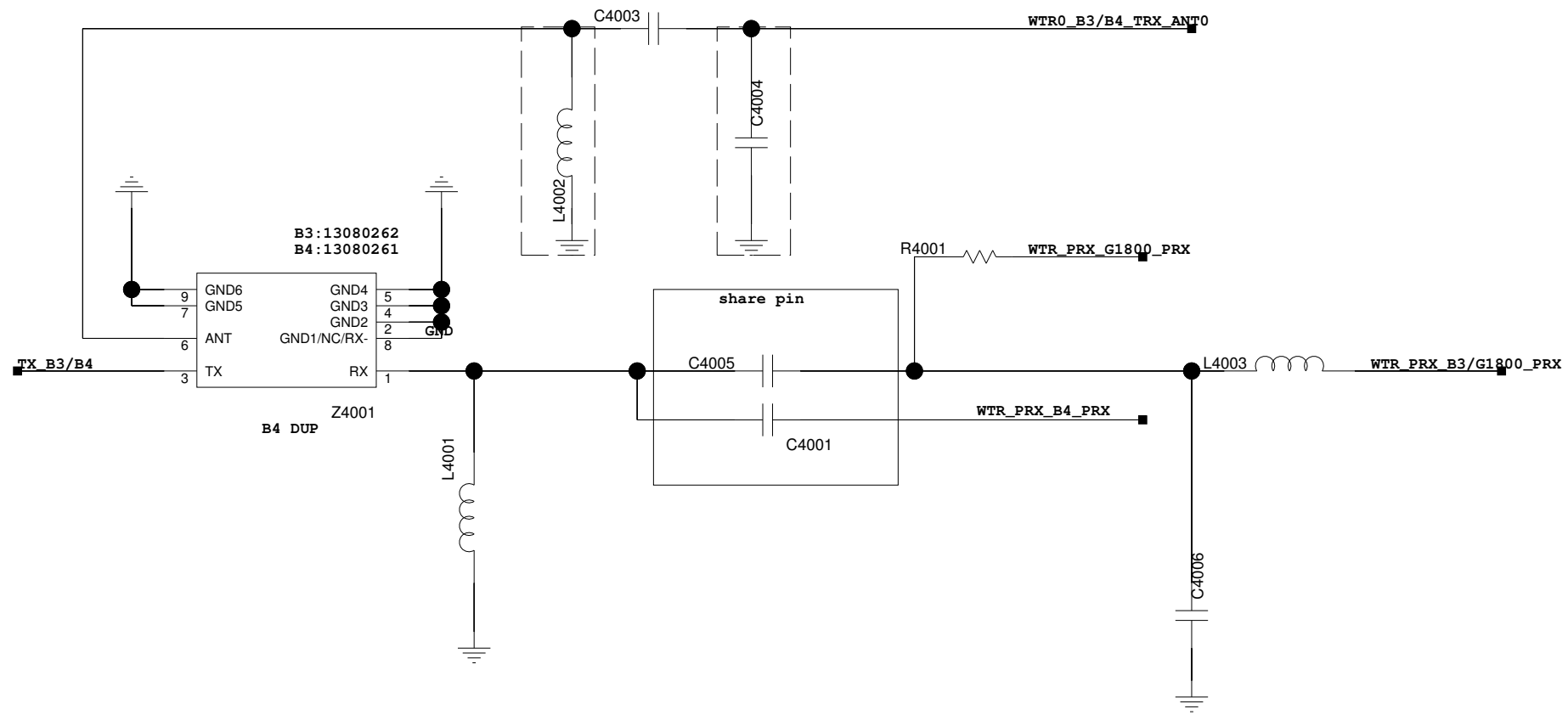
39 TRX B1



The type and specification of the components refer to the BOM

					2014.10.15
				ECA NO	DATE
DESIGNED	WANGCHAO 00206448	HL3KIWITM		03023EJB_SCHZH	
REVIEWED	YUJUNFENG 00258619				
		VER	PART_NUMBER	SHEET	39 TRX B1 69
			03023EJB	HUAWEI TECH CO.,LTD.	

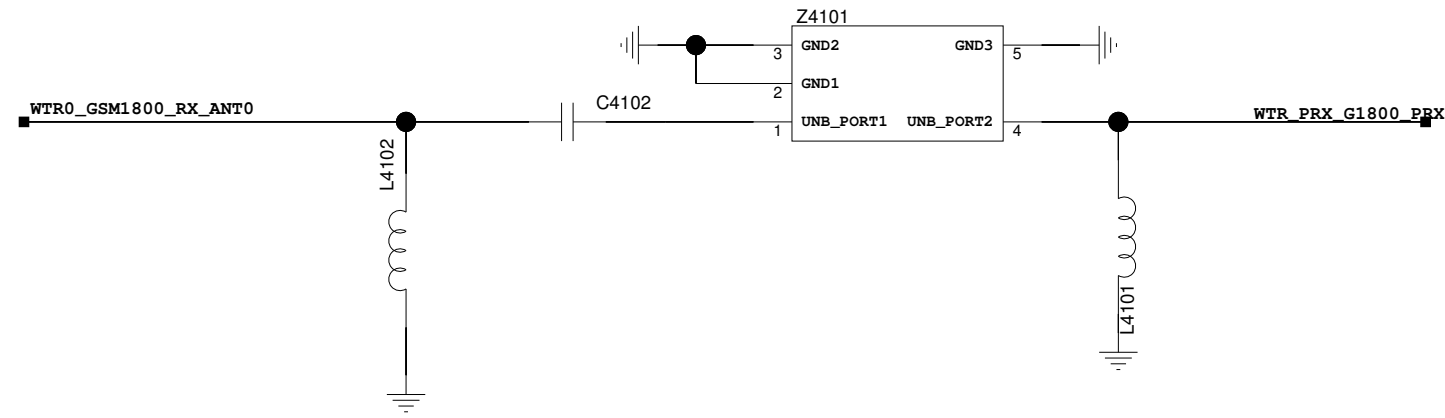
40 TRX B3&GSM1800



The type and specification of the components refer to the BOM

					2014.10.15
				ECA NO	DATE
DESIGNED	WANGCHAO 00206448	HL3KIWITM		03023EJB_SCHZH	
REVIEWED	YUJUNFENG 00258619				
		VER	PART_NUMBER	SHEET	40 TRX B3/GSM1800/B4
			03023EJB	HUAWEI TECH CO.,LTD.	

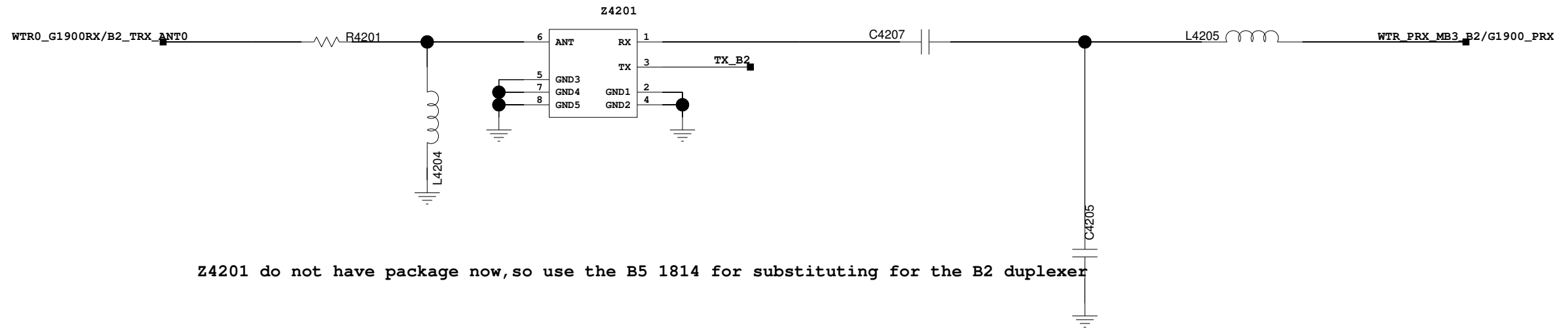
41 RX GSM1800



The type and specification of the components refer to the BOM

					2014.10.15
				ECA NO	DATE
DESIGNED	WANGCHAO 00206448	HL3KIWITM		03023EJB_SCHZH	
REVIEWED	YUJUNFENG 00258619				
		VER	PART_NUMBER	SHEET 41 RX GSM1800	
			03023EJB	HUAWEI TECH CO.,LTD.	

42 TRX B2/G1900_RX

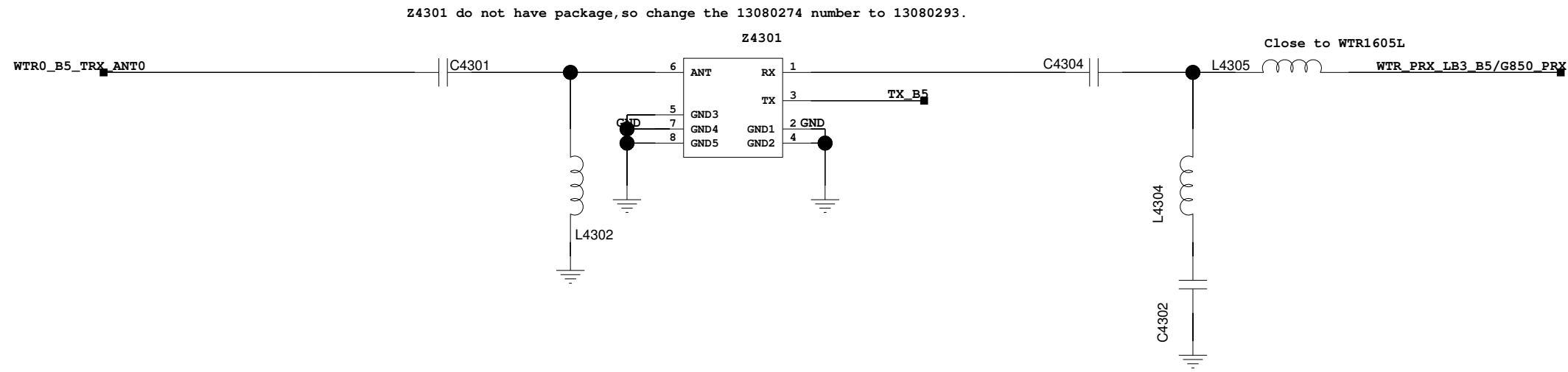


The type and specification of the components refer to the BOM

					2014.10.15
				ECA NO	DATE
DESIGNED	WANGCHAO 00206448	HL3KIWITM		03023EJB_SCHZH	
REVIEWED	YUJUNFENG 00258619				
		VER	PART_NUMBER	SHEET	42 TRX B2/G1900_RX
			03023EJB	HUAWEI TECH CO.,LTD.	

L4803 close to u4801

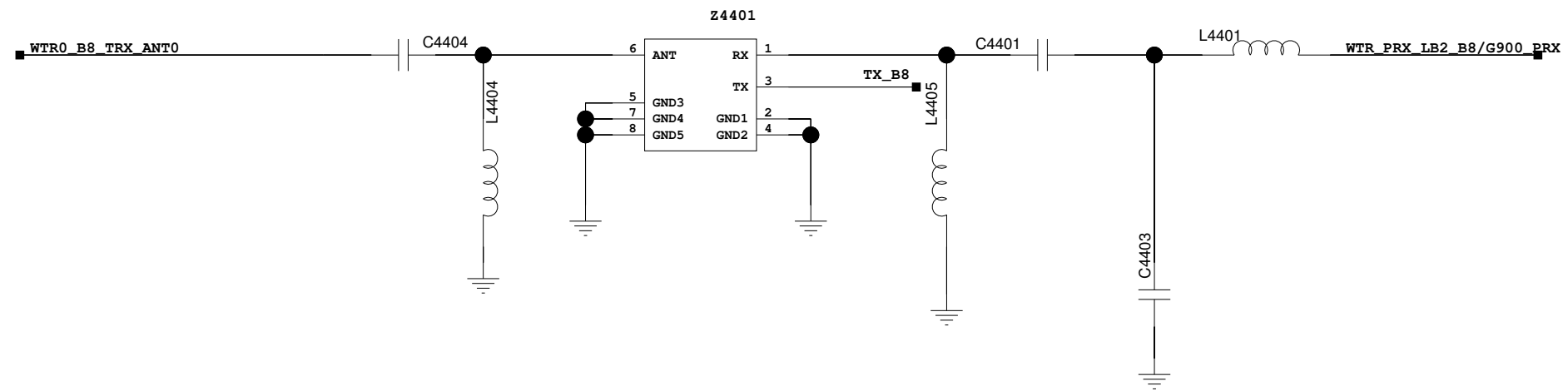
43 TRX B5



The type and specification of the components refer to the BOM

					2014.10.15
				ECA NO	DATE
DESIGNED	WANGCHAO 00206448	HL3KIWITM		03023EJB_SCHZH	
REVIEWED	YUJUNFENG 00258619				
		VER	PART_NUMBER	SHEET 43 TRX B5 69	
			03023EJB	HUAWEI TECH CO.,LTD.	

44 TRX B8

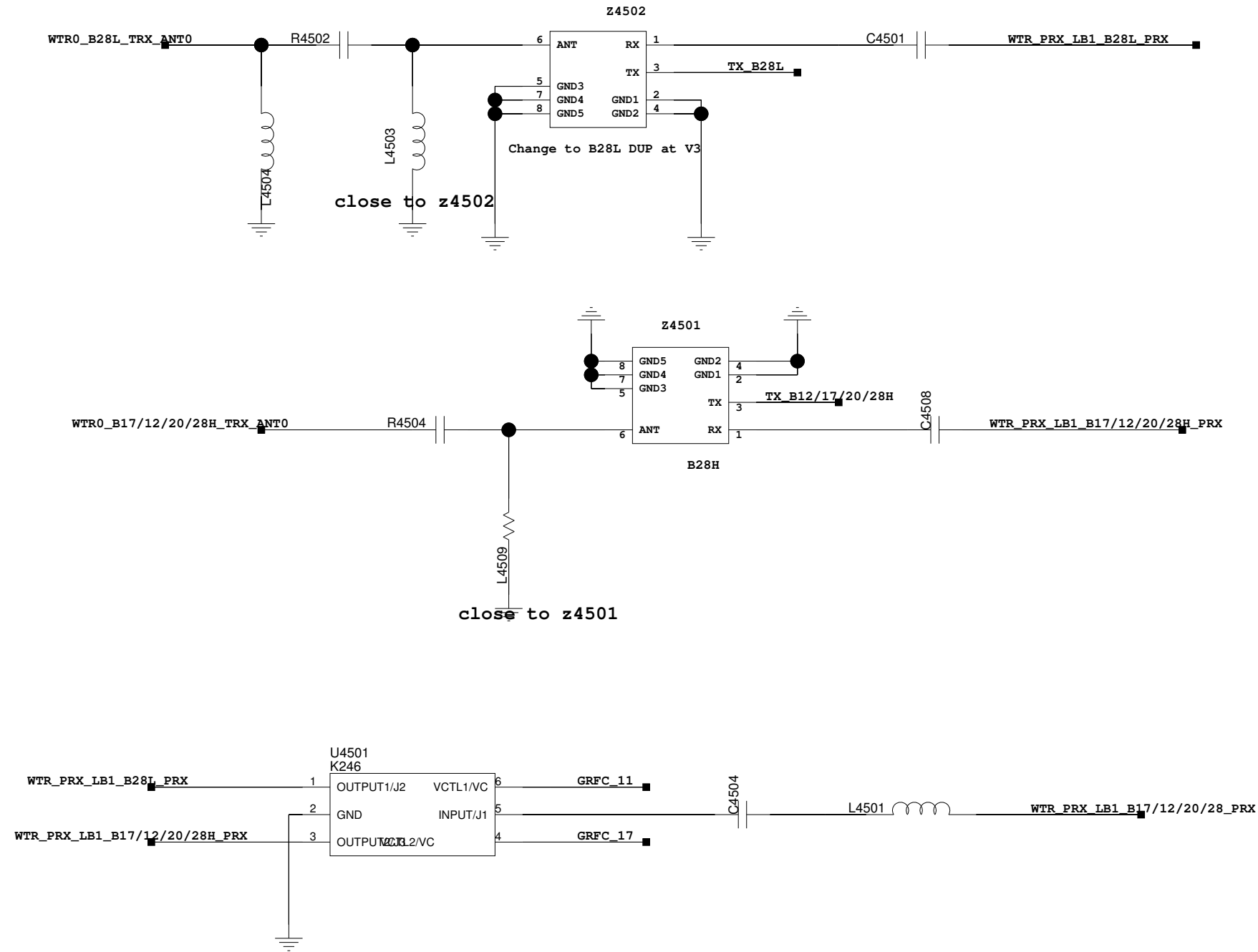


Z4401 do not have package now,so use the B5 1814 for substituting for the B8 duplexer

The type and specification of the components refer to the BOM

					2014.10.15
				ECA NO	DATE
DESIGNED	WANGCHAO 00206448	HL3KIWITM		03023EJB_SCHZH	
REVIEWED	YUJUNFENG 00258619				
		VER	PART_NUMBER	SHEET 44 TRX B8 69	
			03023EJB	HUAWEI TECH CO.,LTD.	

45 TRX B17/12/20/28



The type and specification of the components refer to the BOM

					2014.10.15
				ECA NO	DATE
DESIGNED	WANGCHAO 00206448	HL3KIWITM		03023EJB_SCHZH	
REVIEWED	YUJUNFENG 00258619	VER	PART_NUMBER	SHEET 45 TRX B17/12/20/28	
			03023EJB	HUAWEI TECH CO.,LTD.	

46. B34/B39

A

A

B

B

C

C

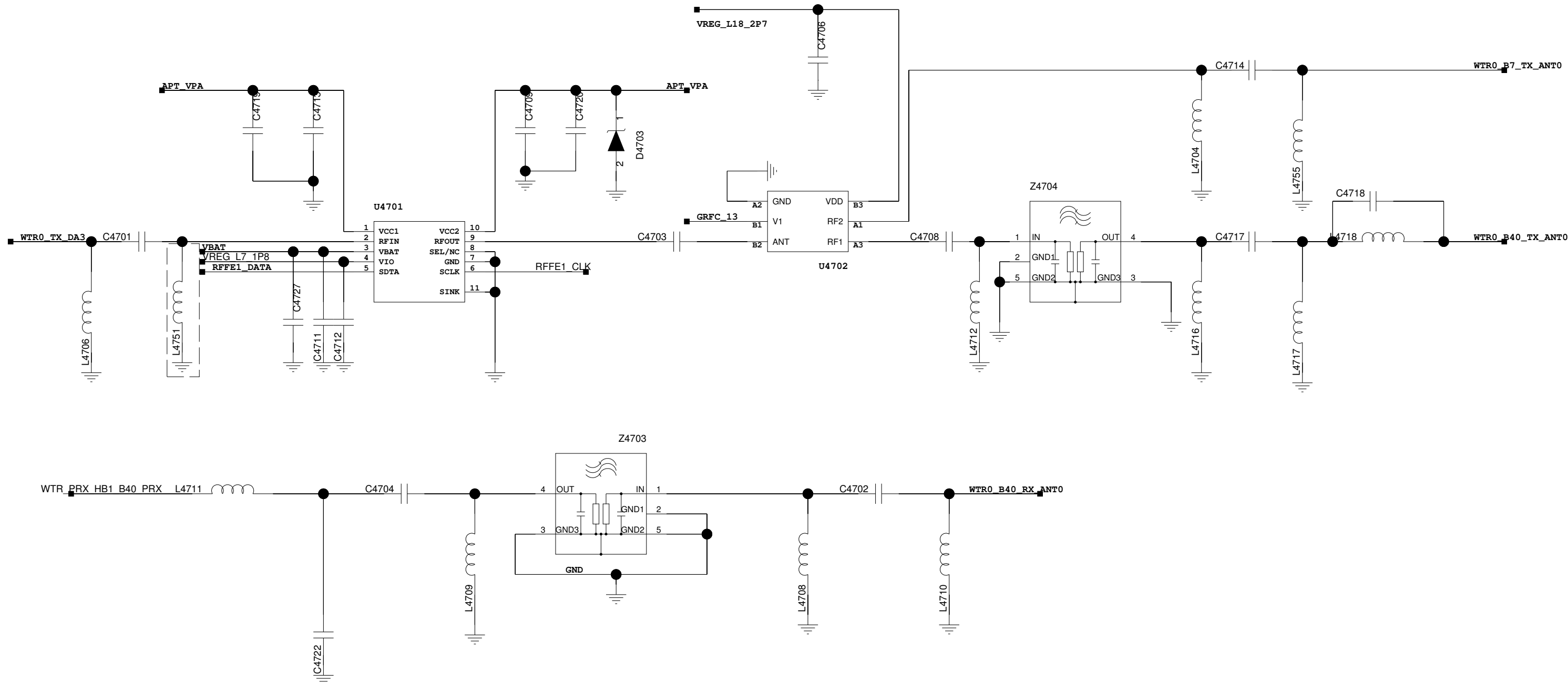
D

D

The type and specification of the components refer to the BOM

					2014.10.15
				ECA NO	DATE
DESIGNED	WANGCHAO 00206448	HL3KIWITM		03023EJB_SCHZH	
REVIEWED	YUJUNFENG 00258619				
		VER	PART_NUMBER	SHEET 46 of 69	
			03023EJB	HUAWEI TECH CO.,LTD.	

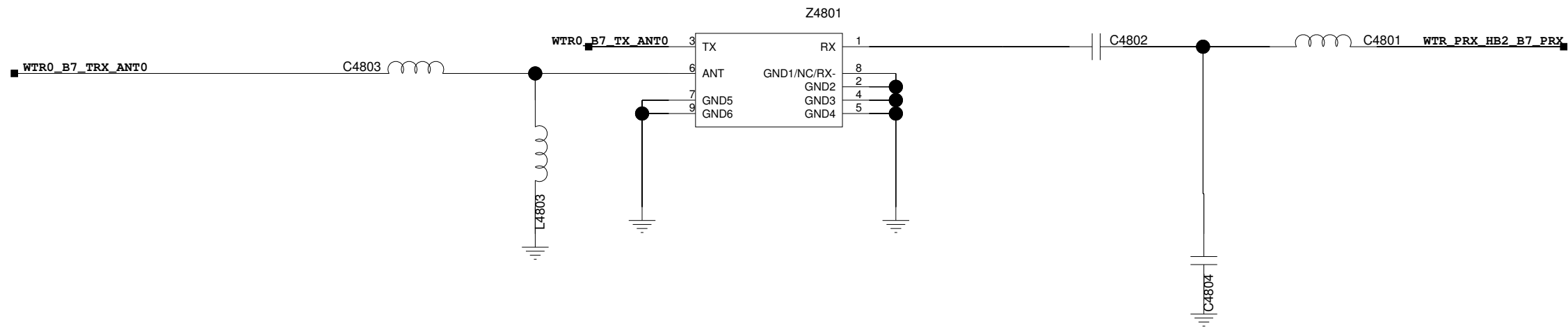
47 TRX B40/7



The type and specification of the components refer to the BOM

					2014.10.15
				ECA NO	DATE
DESIGNED	WANGCHAO 00206448	HL3KIWITM		03023EJB_SCHZH	
REVIEWED	YUJUNFENG 00258619				
		VER	PART_NUMBER	SHEET 47 TRX B40/7	
			03023EJB	HUAWEI TECH CO.,LTD.	

46. TRX B7



The type and specification of the components refer to the BOM

					2014.10.15
				ECA NO	DATE
DESIGNED	WANGCHAO 00206448	HL3KIWITM		03023EJB_SCHZH	
REVIEWED	YUJUNFENG 00258619				
		VER	PART_NUMBER	SHEET 48 TRX B7 69	
			03023EJB	HUAWEI TECH CO.,LTD.	

1

2

3

4

5

6

49 Reserved

A

A

B

B

C

C

D

D

The type and specification of the components refer to the BOM

					2014.10.15
				ECA NO	DATE
DESIGNED	WANGCHAO 00206448	HL3KIWITM		03023EJB_SCHZH	
REVIEWED	YUJUNFENG 00258619				
		VER	PART_NUMBER	SHEET 49 Reserved	
			03023EJB	HUAWEI TECH CO.,LTD.	

1

2

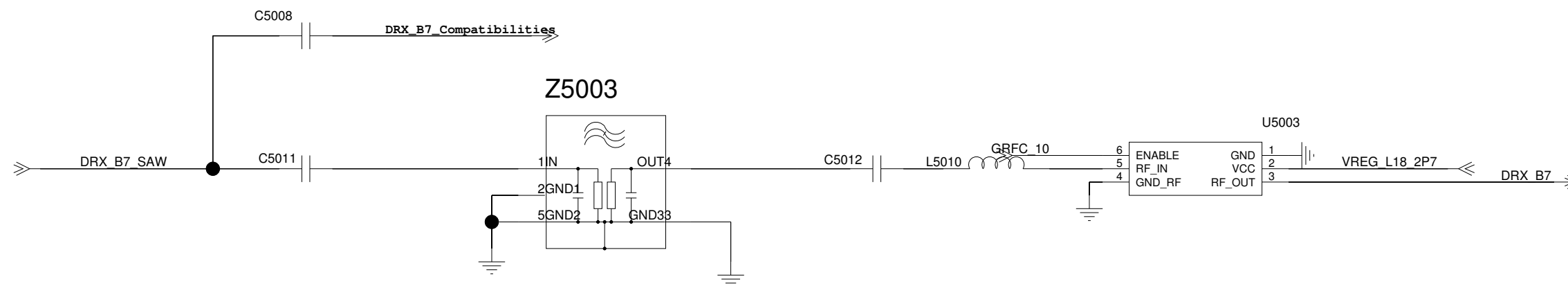
3

4

5

6

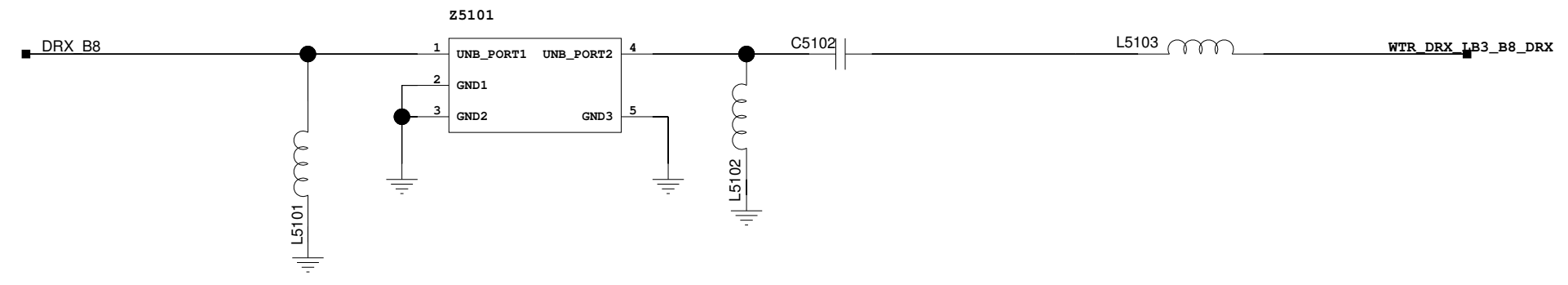
50 DRX LNA B7



The type and specification of the components refer to the BOM

					2014.10.15
				ECA NO	DATE
DESIGNED	WANGCHAO 00206448	HL3KIWITM		03023EJB_SCHZH	
REVIEWED	YUJUNFENG 00258619				
		VER	PART_NUMBER	SHEET 50 DRX LNA B40/B7	
			03023EJB	HUAWEI TECH CO.,LTD.	

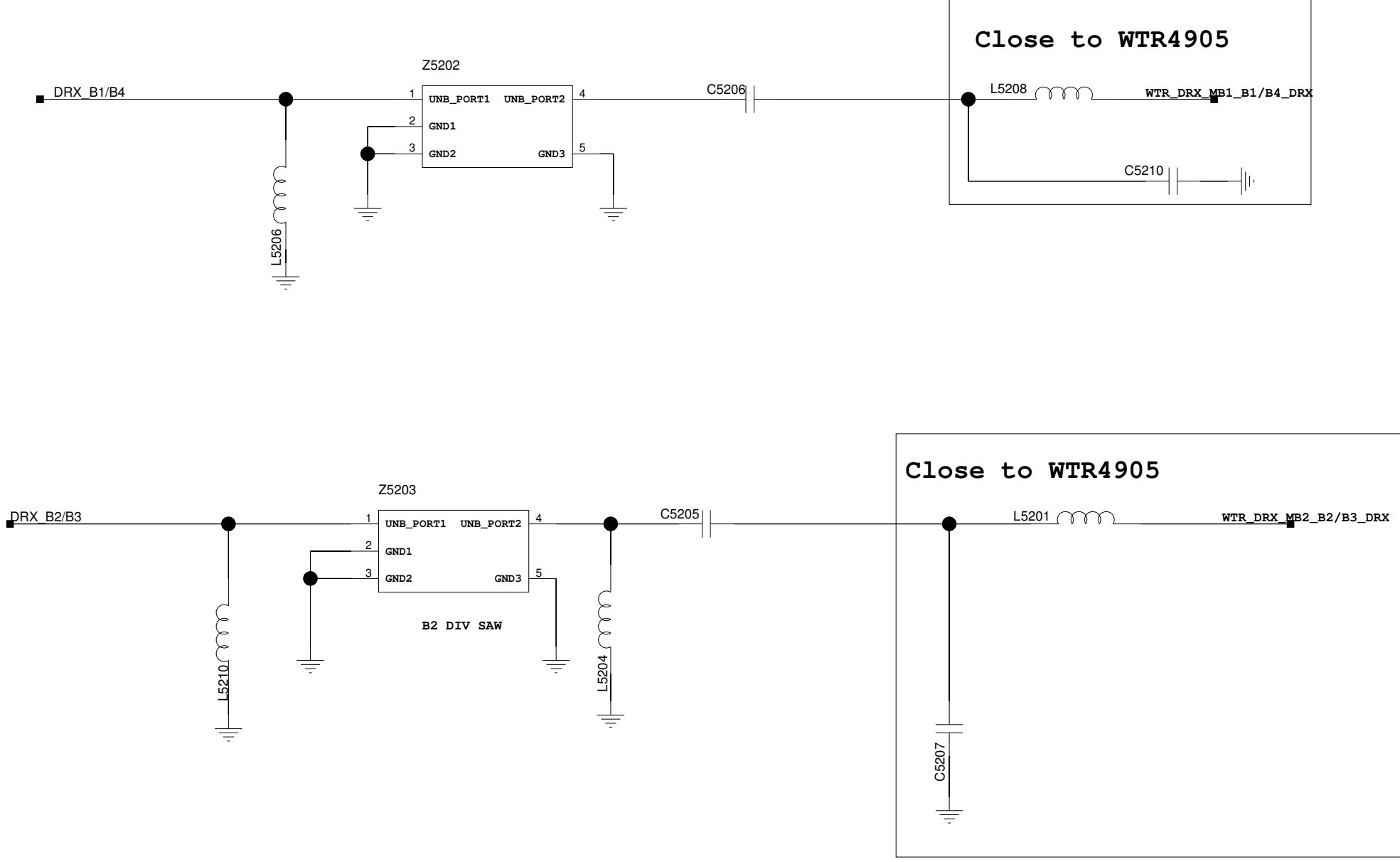
51_DRX B8



The type and specification of the components refer to the BOM

					2014.10.15
				ECA NO	DATE
DESIGNED	WANGCHAO 00206448	HL3KIWITM		03023EJB_SCHZH	
REVIEWED	YUJUNFENG 00258619				
		VER	PART_NUMBER	SHEET 51_DRX B869	
			03023EJB	HUAWEI TECH CO.,LTD.	

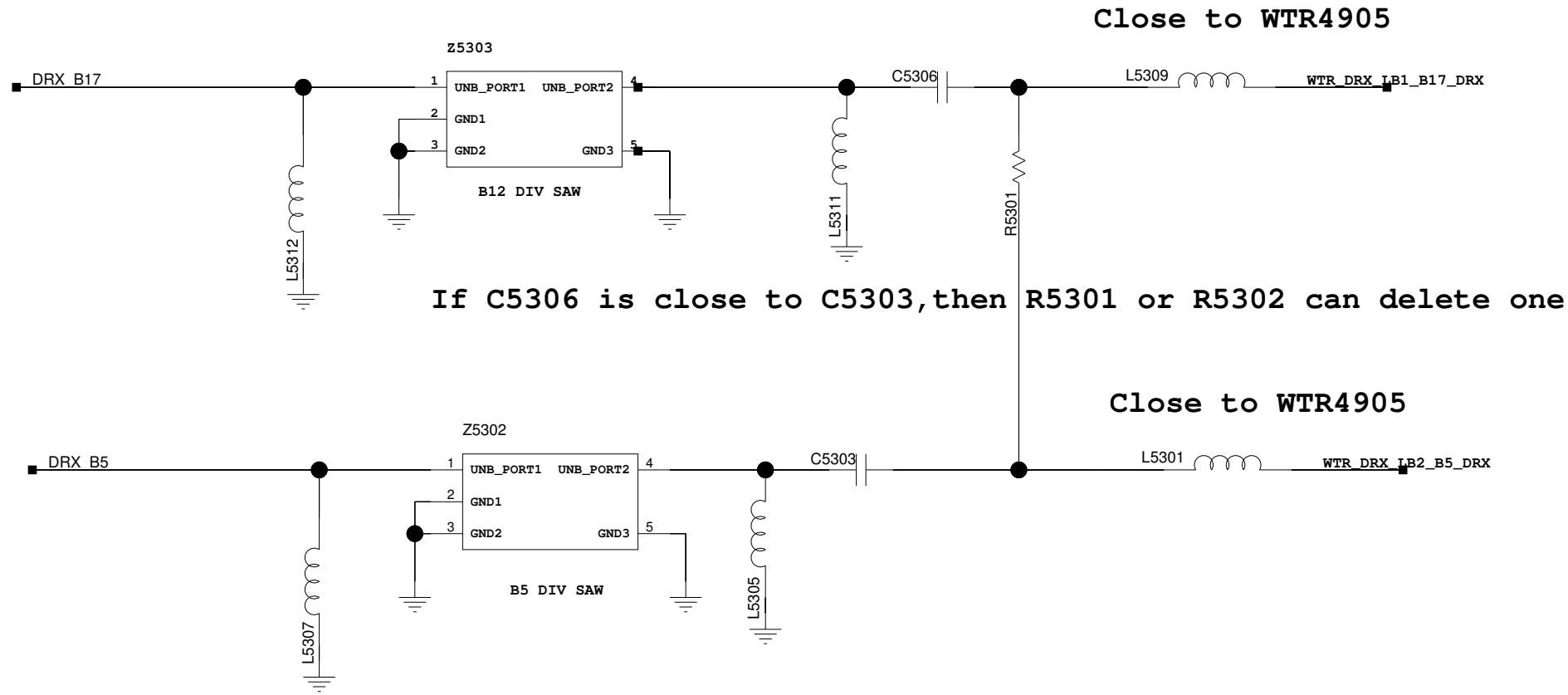
52 DRX B1/2/3/4/39



The type and specification of the components refer to the BOM

					2014.10.15
				ECA NO	DATE
DESIGNED	WANGCHAO 00206448	HL3KIWITM		03023EJB_SCHZH	
REVIEWED	YUJUNFENG 00258619				
		VER	PART_NUMBER	SHEET	52 DRX B1/2/3/4/39
			03023EJB	HUAWEI TECH CO.,LTD.	

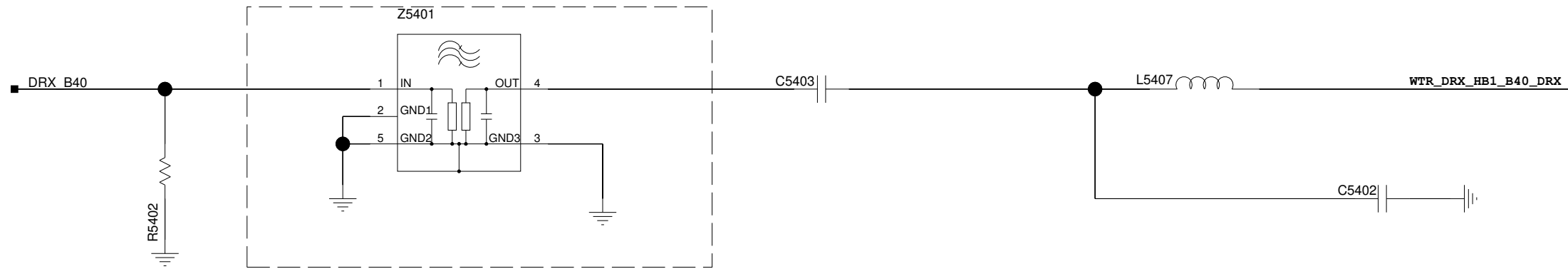
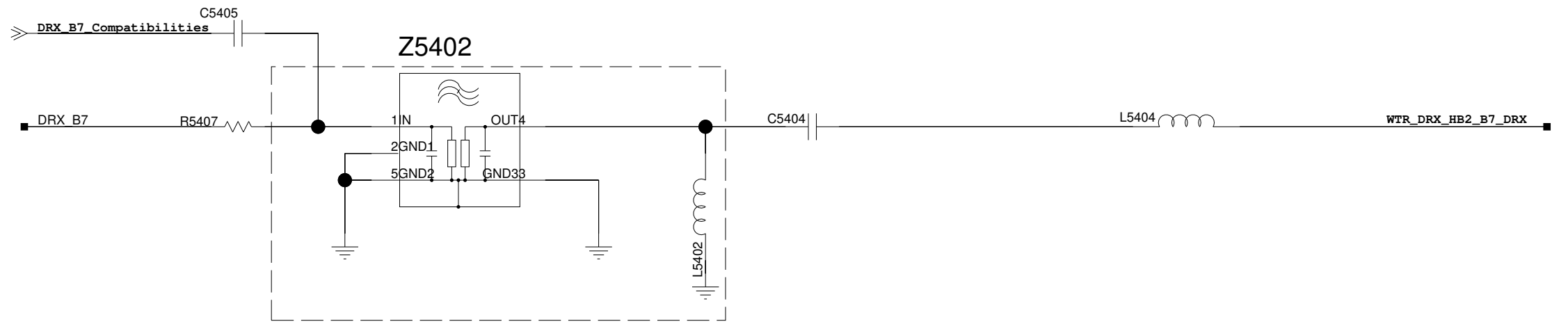
V1 using B12/B17 SAW to test, after V1 using B28H SAW



The type and specification of the components refer to the BOM

					2014.10.15
				ECA NO	DATE
DESIGNED	WANGCHAO 00206448	HL3KIWITM		03023EJB_SCHZH	
REVIEWED	YUJUNFENG 00258619				
		VER	PART_NUMBER	SHEET 53 DRX B5/17	
			03023EJB	HUAWEI TECH CO.,LTD.	

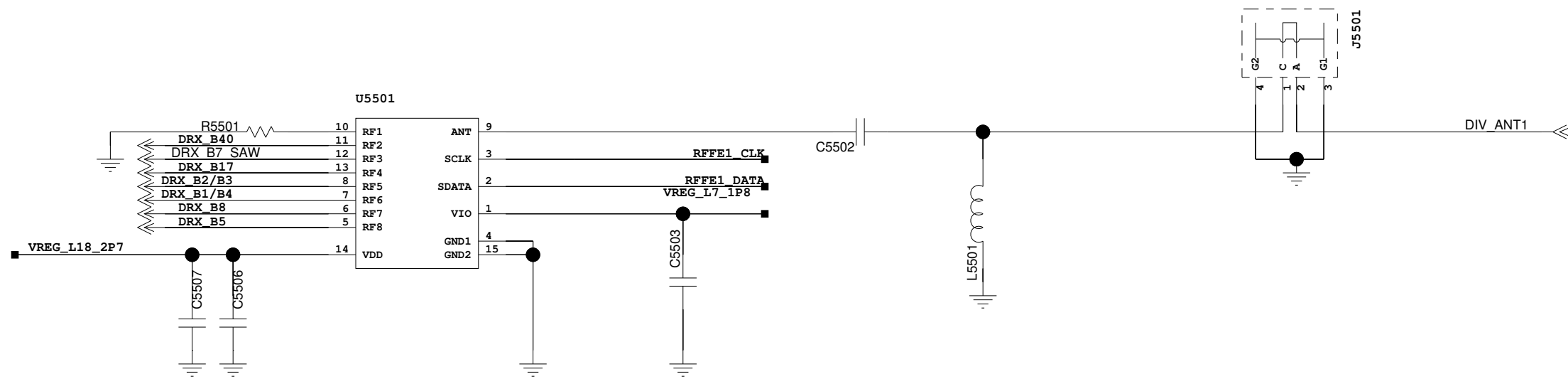
54 DRX_B40/7



The type and specification of the components refer to the BOM

					2014.10.15
				ECA NO	DATE
DESIGNED	WANGCHAO 00206448	HL3KIWITM		03023EJB_SCHZH	
REVIEWED	YUJUNFENG 00258619				
		VER	PART_NUMBER	SHEET 54 DRX_B40/7	
			03023EJB	HUAWAI TECH CO.,LTD.	

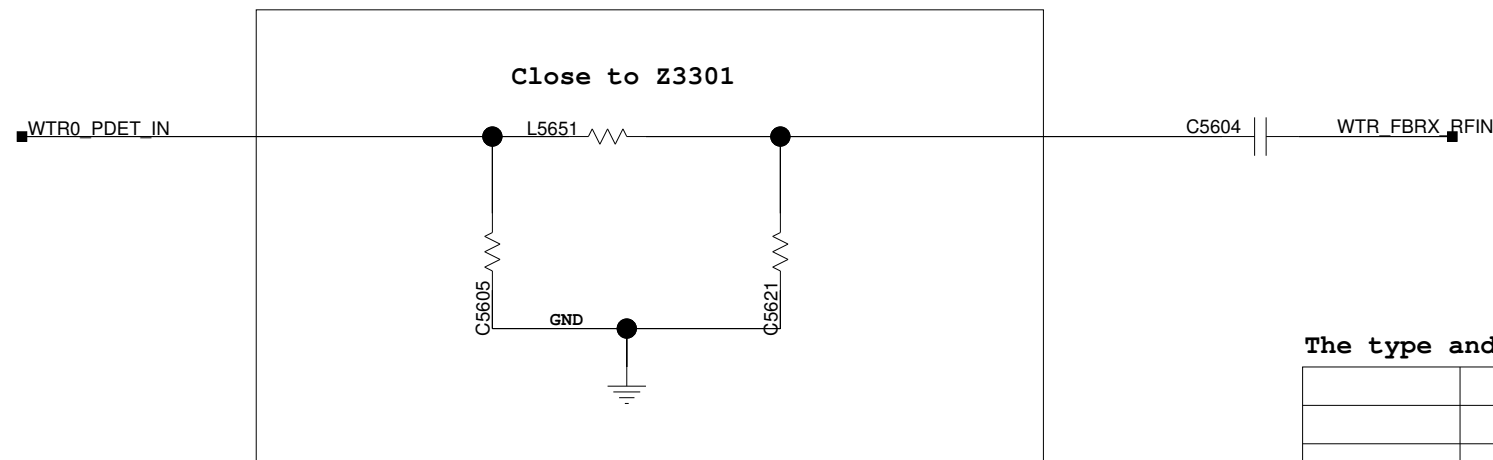
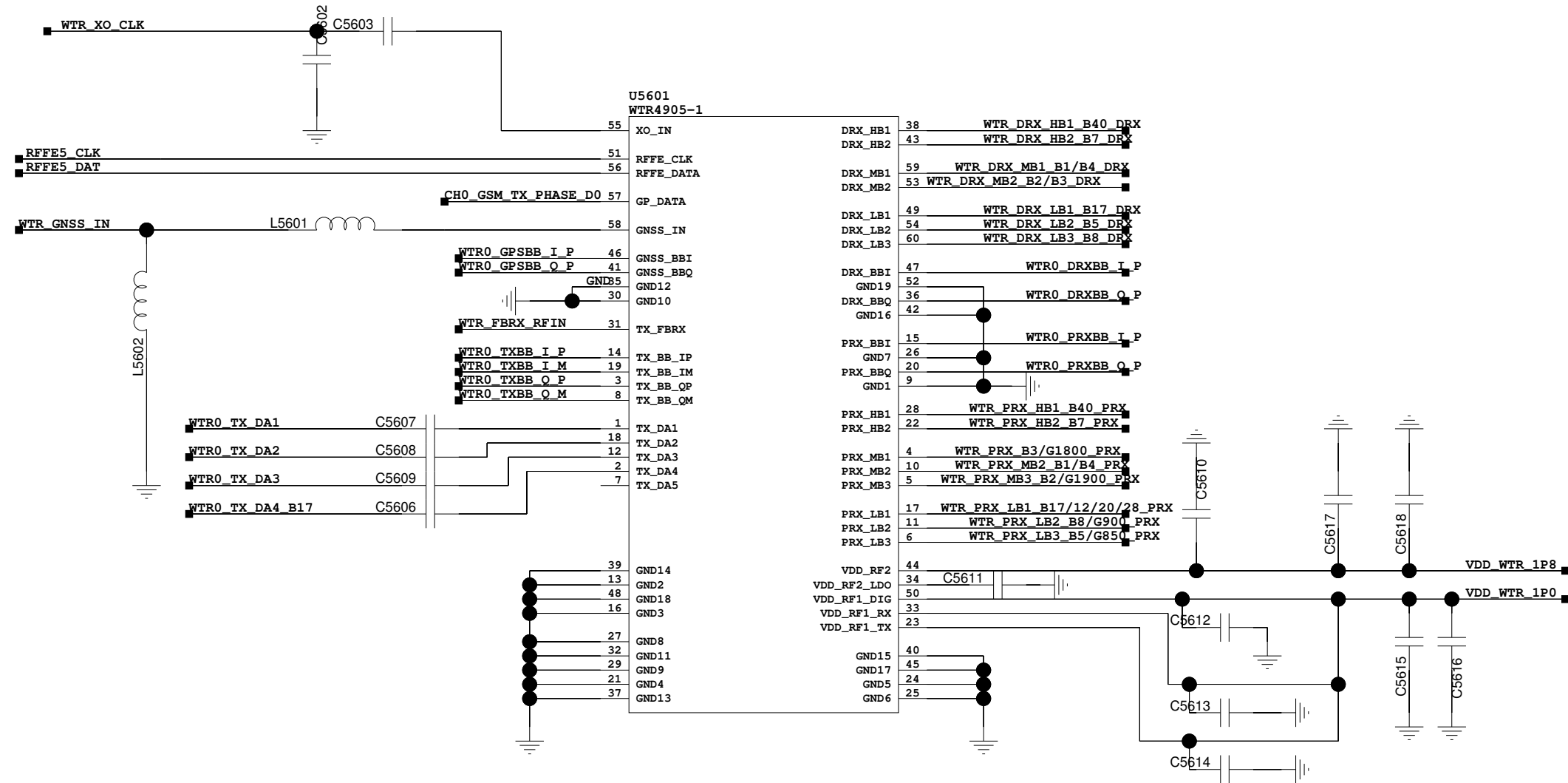
55 DRX_ANT_SWITCH



The type and specification of the components refer to the BOM

					2014.10.15
				ECA NO	DATE
DESIGNED	WANGCHAO 00206448	HL3KIWITM		03023EJB_SCHZH	
REVIEWED	YUJUNFENG 00258619	VER	PART_NUMBER	SHEET 55 DRX ANT SWITCH	
			03023EJB	HUAWEI TECH CO.,LTD.	

56.WTR4905L



The type and specification of the components refer to the BOM

					2014.10.15
				ECA NO	DATE
DESIGNED	WANGCHAO 00206448	HL3KIWITM		03023EJB_SCHZH	
REVIEWED	YUJUNFENG 00258619	VER	PART_NUMBER	SHEET 56_WTR4905L	
			03023EJB	HUAWEI TECH CO.,LTD.	

57.Reserved

A

A

B

B

C

C

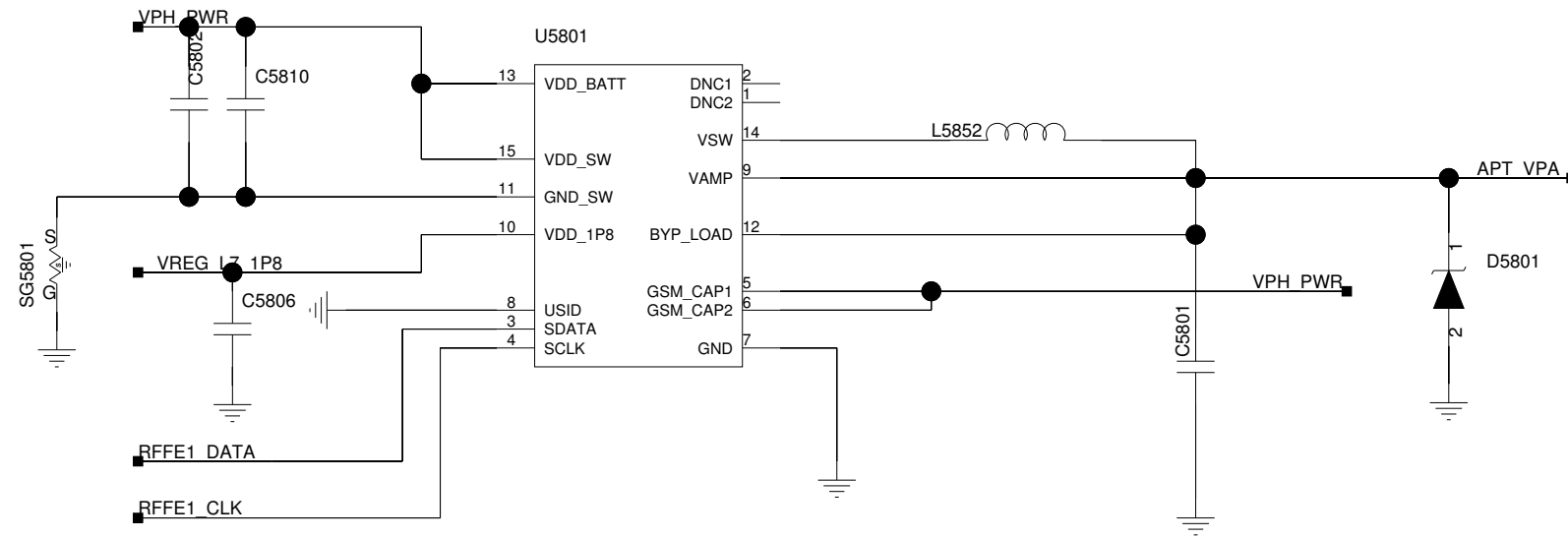
D

D

The type and specification of the components refer to the BOM

					2014.10.15
				ECA NO	DATE
DESIGNED	WANGCHAO 00206448	HL3KIWITM		03023EJB_SCHZH	
REVIEWED	YUJUNFENG 00258619				
		VER	PART_NUMBER	SHEET 57 of 69	
			03023EJB	HUAWEI TECH CO.,LTD.	

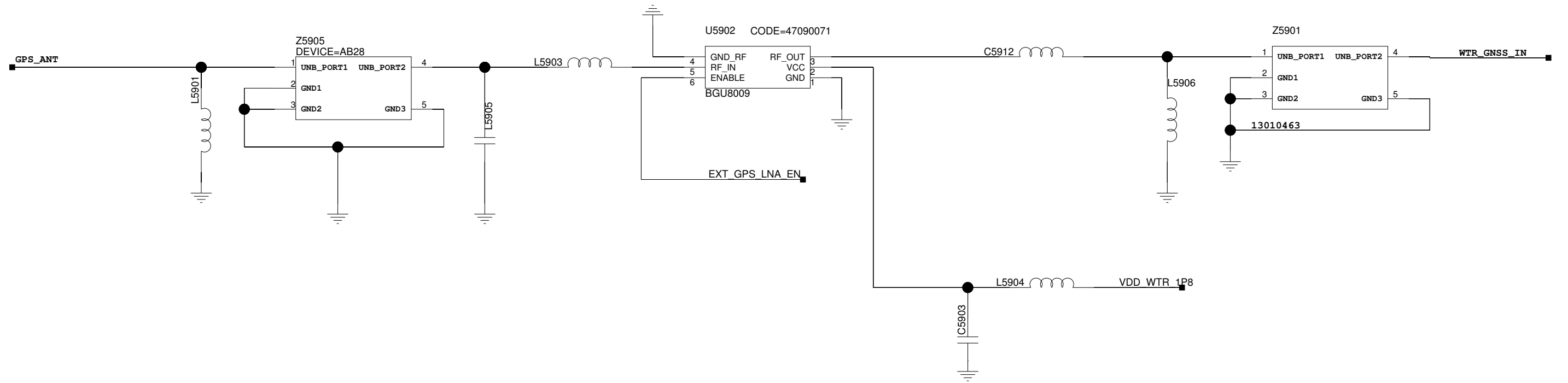
58.ET_APT



The type and specification of the components refer to the BOM

					2014.10.15
				ECA NO	DATE
DESIGNED	WANGCHAO 00206448	HL3KIWITM		03023EJB_SCHZH	
REVIEWED	YUJUNFENG 00258619	VER	PART_NUMBER	SHEET	58_ET_APT69
			03023EJB	HUAWEI TECH CO.,LTD.	

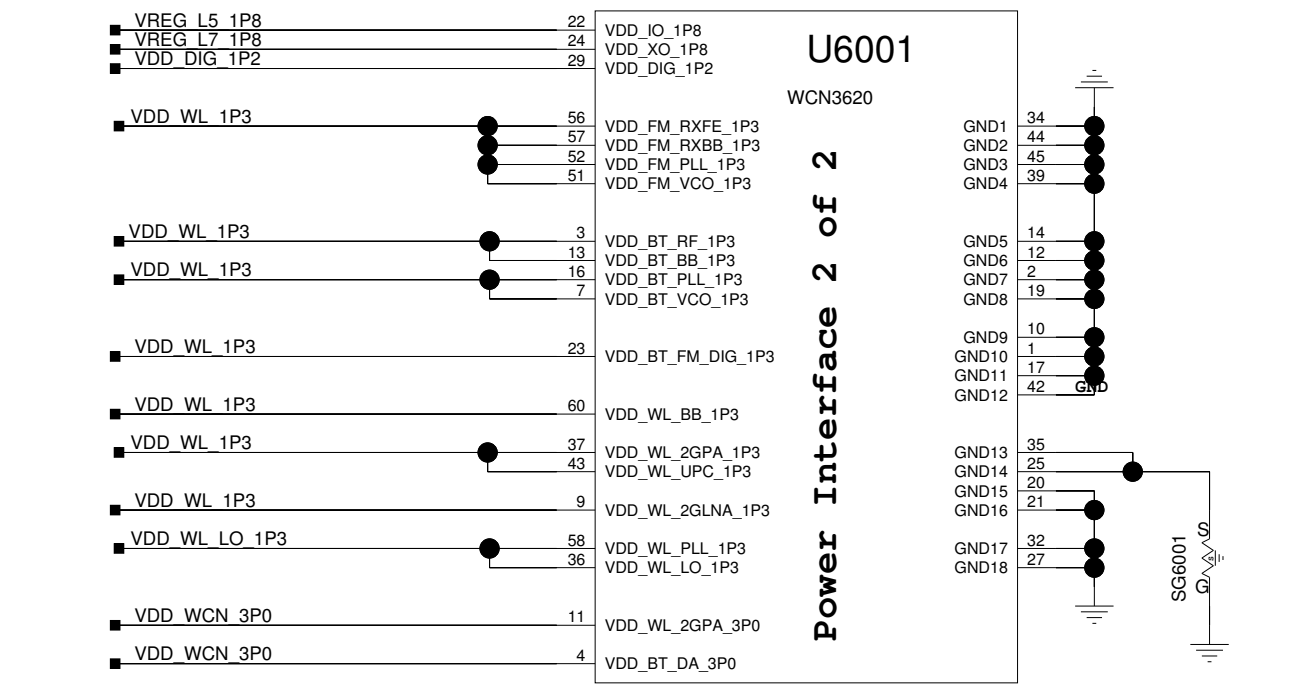
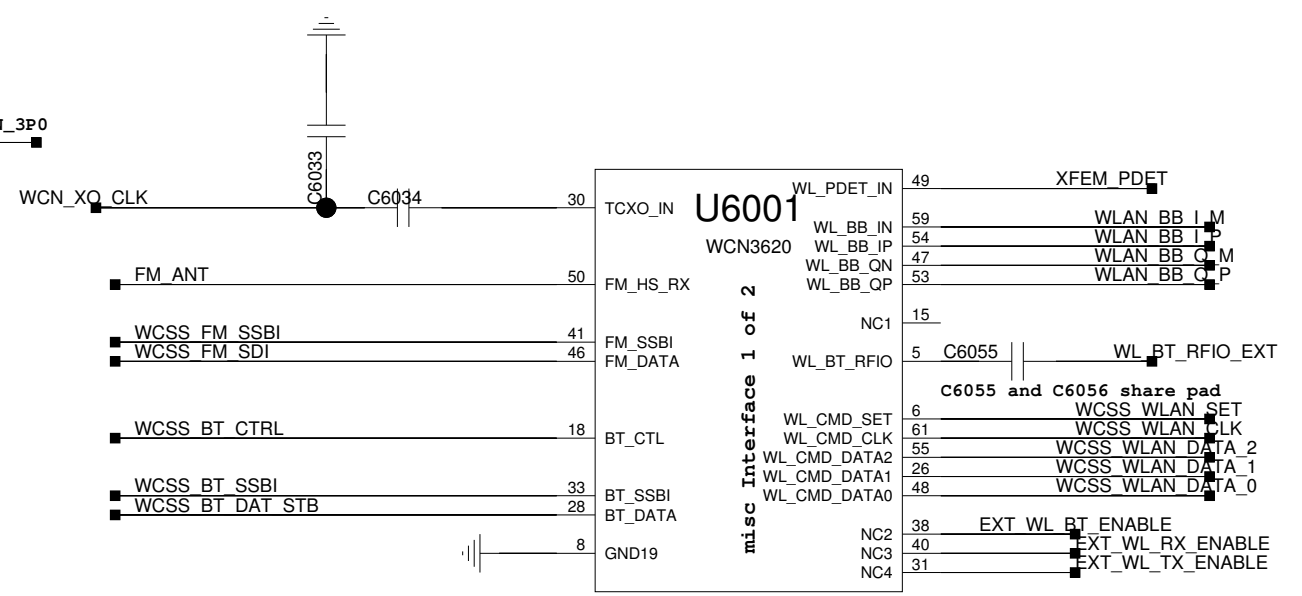
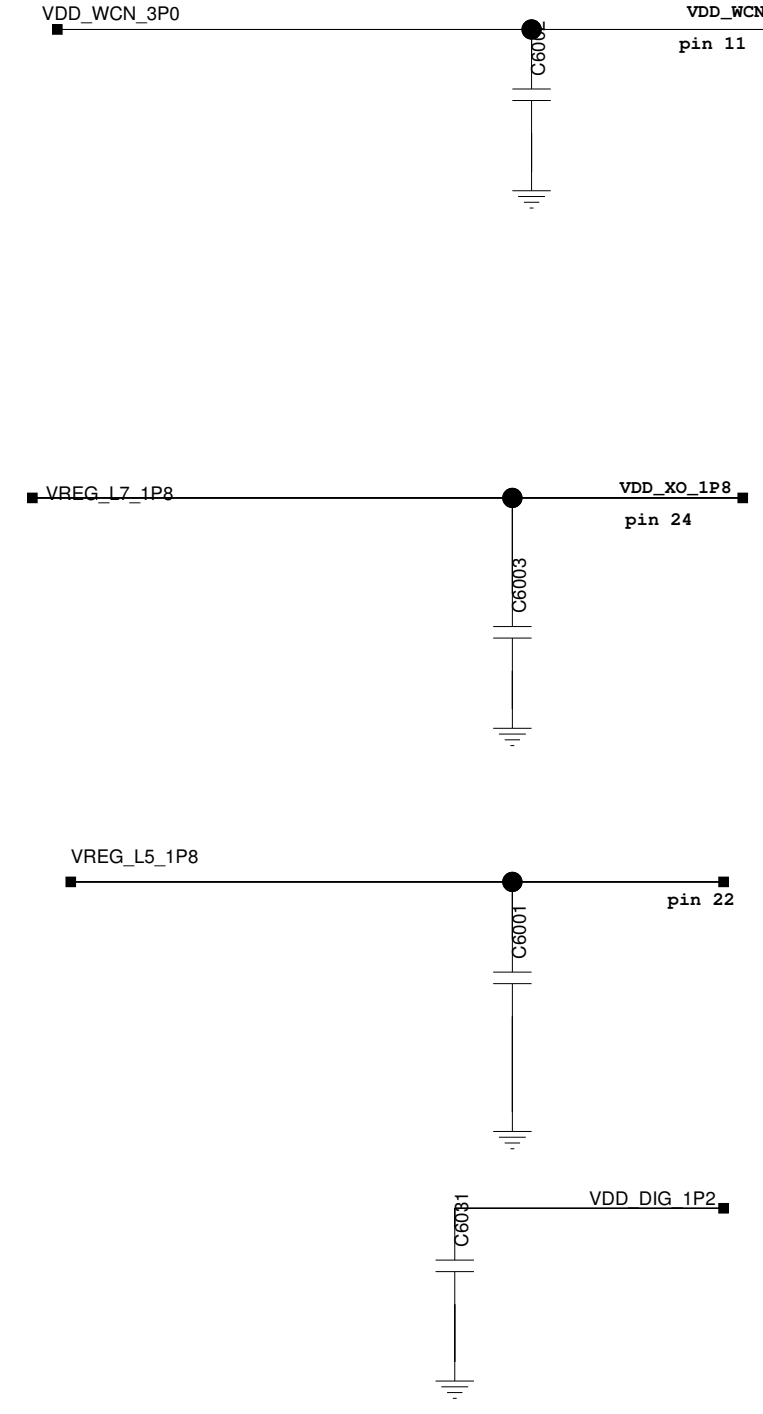
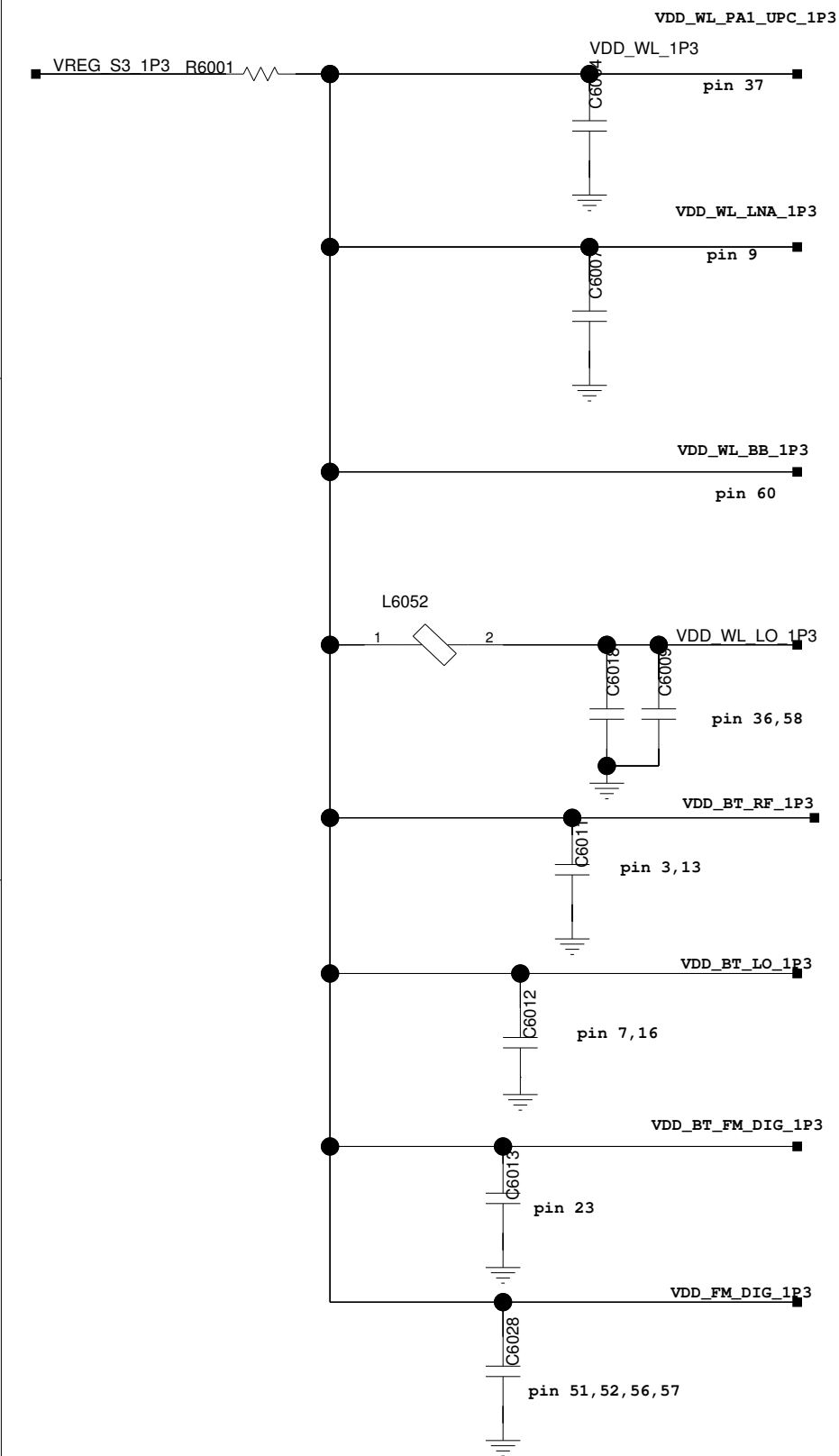
59.GPS



The type and specification of the components refer to the BOM

					2014.10.15
				ECA NO	DATE
DESIGNED	WANGCHAO 00206448	HL3KIWITM		03023EJB_SCHZH	
REVIEWED	YUJUNFENG 00258619				
		VER	PART_NUMBER	SHEET	59 GPS 69
			03023EJB	HUAWEI TECH CO.,LTD.	

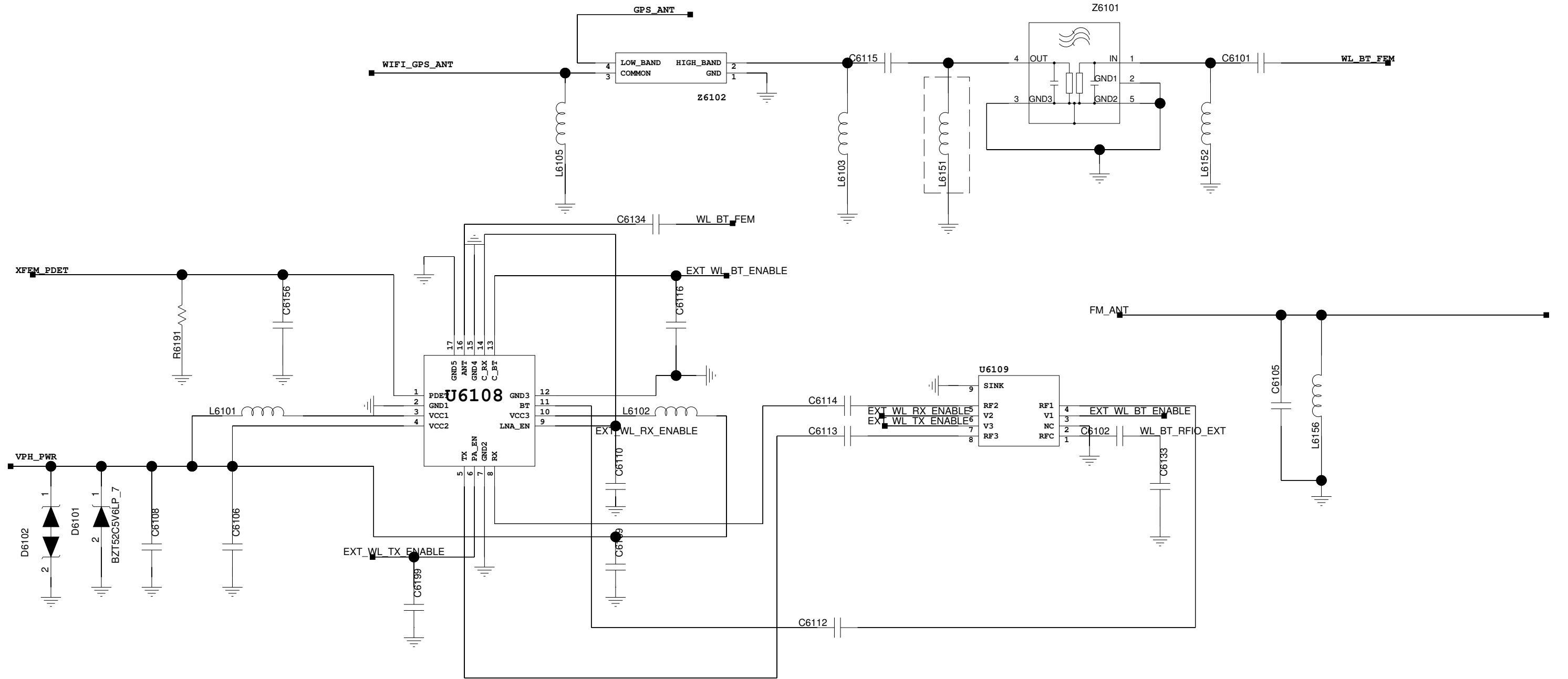
60. WCN3620 BB



The type and specification of the components refer to the BOM

					2014.10.15
				ECA NO	DATE
DESIGNED	WANGCHAO 00206448	HL3KIWITM		03023EJB_SCHZH	
REVIEWED	YUJUNFENG 00258619				
		VER	PART_NUMBER	SHEET	60 WCN3620 BB
			03023EJB	HUAWEI TECH CO.,LTD.	

61. WCN3620 RF



The type and specification of the components refer to the BOM

					2014.10.15
				ECA NO	DATE
DESIGNED	WANGCHAO 00206448	HL3KIWITM		03023EJB_SCHZH	
REVIEWED	YUJUNFENG 00258619	VER	PART_NUMBER	SHEET 61_WCN3620_RF	
			03023EJB	HUAWEI TECH CO.,LTD.	

62. Reserved

A

A

B

B

C

C

D

D

The type and specification of the components refer to the BOM

					2014.10.15
				ECA NO	DATE
DESIGNED	WANGCHAO 00206448	HL3KIWITM		03023EJB_SCHZH	
REVIEWED	YUJUNFENG 00258619				
		VER	PART_NUMBER	SHEET 62_Reserved	
			03023EJB	HUAWEI TECH CO.,LTD.	

63.Reserved

A

A

B

B

C

C

D

D

The type and specification of the components refer to the BOM

					2014.10.15
				ECA NO	DATE
DESIGNED	WANGCHAO 00206448	HL3KIWITM		03023EJB_SCHZH	
REVIEWED	YUJUNFENG 00258619				
		VER	PART_NUMBER	SHEET 63 Reserved	
			03023EJB	HUAWEI TECH CO.,LTD.	

64.Reserved

A

A

B

B

C

C

D

D

The type and specification of the components refer to the BOM

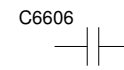
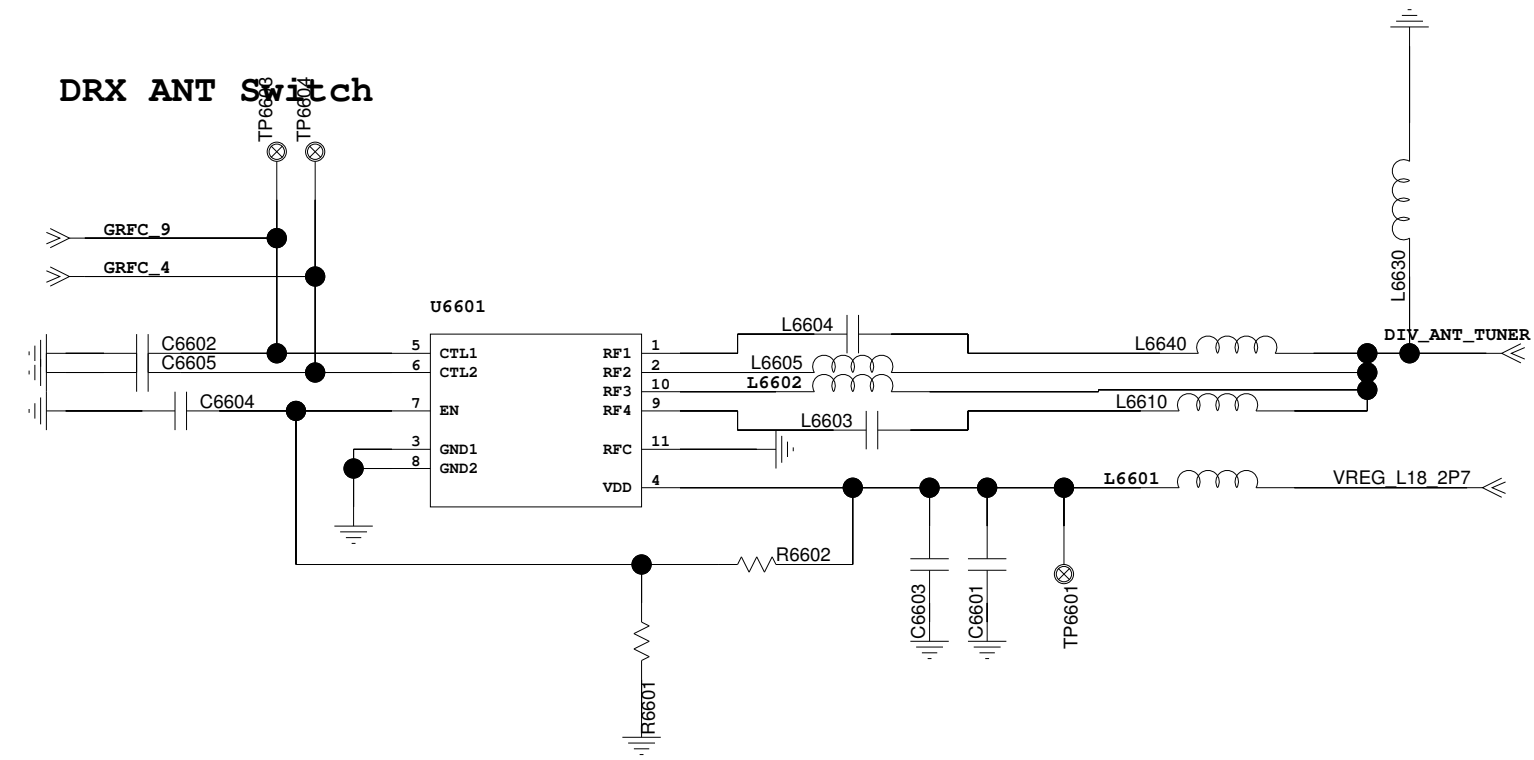
					2014.10.15
				ECA NO	DATE
DESIGNED	WANGCHAO 00206448	HL3KIWITM		03023EJB_SCHZH	
REVIEWED	YUJUNFENG 00258619				
		VER	PART_NUMBER	SHEET 64 of 69	
			03023EJB	HUAWEI TECH CO.,LTD.	

65.Reserved

The type and specification of the components refer to the BOM

					2014.10.15
				ECA NO	DATE
DESIGNED	WANGCHAO 00206448	HL3KIWITM		03023EJB_SCHZH	
REVIEWED	YUJUNFENG 00258619				
		VER	PART_NUMBER	SHEET 65 Reserved	
			03023EJB	HUAWEI TECH CO.,LTD.	

66 ANT TUNER



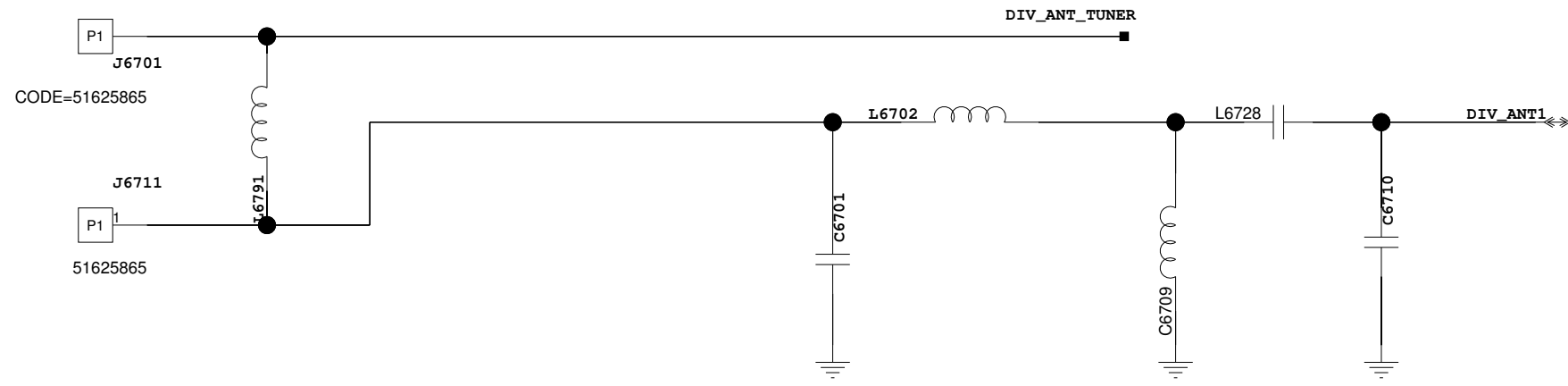
For ANT Spring Protection

The type and specification of the components refer to the BOM

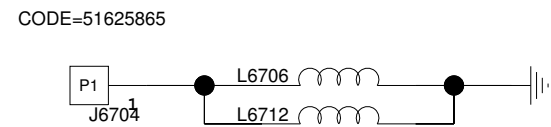
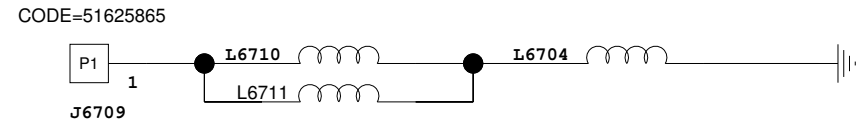
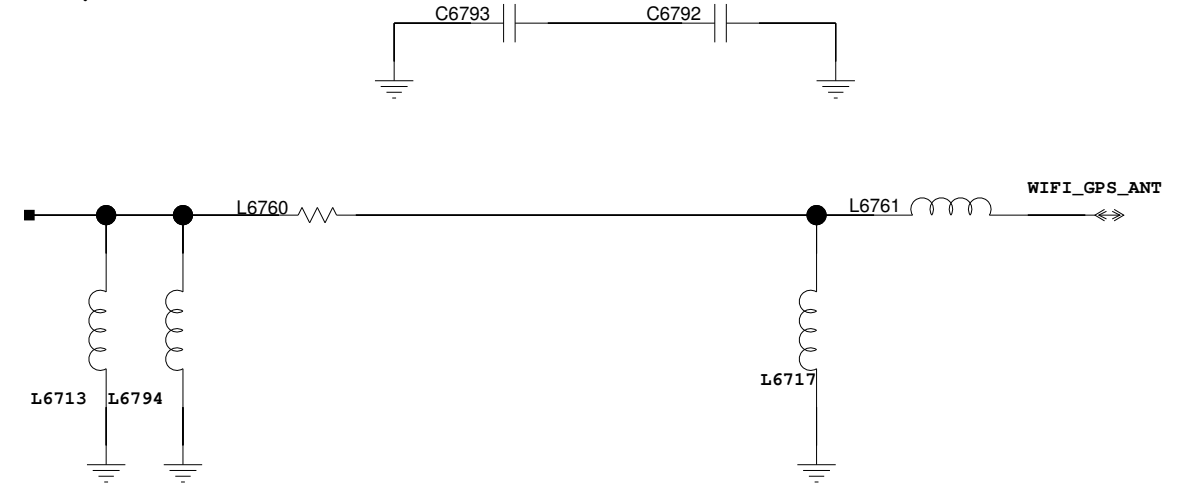
					2014.10.15
				ECA NO	DATE
DESIGNED	WANGCHAO 00206448	HL3KIWITM		03023EJB_SCHZH	
REVIEWED	YUJUNFENG 00258619				
		VER	PART_NUMBER	SHEET 66 ANT TUNER	
			03023EJB	HUAWEI TECH CO.,LTD.	

67.ANTENNA MATCH

DIV ANT1



WIFI/GPS ANT



The type and specification of the components refer to the BOM

					2014.10.15
				ECA NO	DATE
DESIGNED	HANJINGHUI 00179220	HL3KIWITM			
REVIEWED	GAOFENGTAO 00127460				
		VER	PART_NUMBER	SHEET	67 ANTENNA MATCH
		A	03022YUP	HUAWEI TECH CO.,LTD.	

68.Reserved

A

A

B

B

C

C

D

D

The type and specification of the components refer to the BOM

					2014.10.15
				ECA NO	DATE
DESIGNED	WANGCHAO 00206448	HL3KIWITM		03023EJB_SCHZH	
REVIEWED	YUJUNFENG 00258619				
		VER	PART_NUMBER	SHEET 68 Reserved	
			03023EJB	HUAWEI TECH CO.,LTD.	

69.Reserved

A

A

B

B

C

C

D

D

The type and specification of the components refer to the BOM

					2014.10.15
				ECA NO	DATE
DESIGNED	WANGCHAO 00206448	HL3KIWITM		03023EJB_SCHZH	
REVIEWED	YUJUNFENG 00258619				
		VER	PART_NUMBER	SHEET 69 Reserved	
			03023EJB	HUAWEI TECH CO.,LTD.	