



# EMC TEST REPORT

**Applicant** Huawei Technologies Co., Ltd  
**FCC ID** QISHIKEY970  
**Product** Hikey970  
**Brand** Hikey  
**Model** Hikey970  
**Report No.** R1809A0409-E1  
**Issue Date** October 15, 2018

TA Technology (Shanghai) Co., Ltd. tested the above equipment in accordance with the requirements in **FCC Code CFR47 Part15B (2018)/ ANSI C63.4 (2014)**. The test results show that the equipment tested is capable of demonstrating compliance with the requirements as documented in this report.

*Wei Liu*

*Guangchang Fan*

*Performed by: Wei Liu/ Manager*

*Approved by: Guangchang Fan/ Director*

**TA Technology (Shanghai) Co., Ltd.**

*No.145, Jintang Rd, Tangzhen Industry Park, Pudong Shanghai, China*

*TEL: +86-021-50791141/2/3*

*FAX: +86-021-50791141/2/3-8000*



## Table of Contents

1	Test Laboratory.....	4
1.1	Notes of the Test Report.....	4
1.2	Test facility.....	4
1.3	Testing Location.....	5
2	General Description of Equipment under Test.....	6
2.1	Client Information.....	6
2.2	General information.....	6
2.3	Applied Standards.....	7
2.4	Test Mode.....	8
3	Test Case Results.....	9
3.1	Radiated Emission.....	9
3.2	Conducted Emission.....	15
4	Main Test Instrument.....	18



### Summary of measurement results

Number	Test Case	Clause in FCC Rules	Conclusion
1	Radiated Emission	15.109, ANSI C63.4-2014	PASS
2	Conducted Emission	15.107, ANSI C63.4-2014	PASS
Test Date: September 15, 2018 ~ September 30, 2018			

# 1 Test Laboratory

## 1.1 Notes of the Test Report

This report shall not be reproduced in full or partial, without the written approval of **TA technology (shanghai) co., Ltd.** The results documented in this report apply only to the tested sample, under the conditions and modes of operation as described herein .Measurement Uncertainties were not taken into account and are published for informational purposes only. This report is written to support regulatory compliance of the applicable standards stated above.

## 1.2 Test facility

### **CNAS (accreditation number: L2264)**

TA Technology (Shanghai) Co., Ltd. has obtained the accreditation of China National Accreditation Service for Conformity Assessment (CNAS).

### **FCC (Designation number: CN1179, Test Firm Registration Number: 446626)**

TA Technology (Shanghai) Co., Ltd. has been listed on the US Federal Communications Commission list of test facilities recognized to perform electromagnetic emissions measurements.

### **IC (recognition number is 8510A)**

TA Technology (Shanghai) Co., Ltd. has been listed by industry Canada to perform electromagnetic emission measurement.

### **VCCI (recognition number is C-4595, T-2154, R-4113, G-10766)**

TA Technology (Shanghai) Co., Ltd. has been listed by industry Japan to perform electromagnetic emission measurement.

### **A2LA (Certificate Number: 3857.01)**

TA Technology (Shanghai) Co., Ltd. has been listed by American Association for Laboratory Accreditation to perform electromagnetic emission measurement.



### 1.3 Testing Location

Company: TA Technology (Shanghai) Co., Ltd.  
Address: No.145, Jintang Rd, Tangzhen Industry Park, Pudong Shanghai, China  
City: Shanghai  
Post code: 201201  
Country: P. R. China  
Contact: Xu Kai  
Telephone: +86-021-50791141/2/3  
Fax: +86-021-50791141/2/3-8000  
Website: <http://www.ta-shanghai.com>  
E-mail: [xukai@ta-shanghai.com](mailto:xukai@ta-shanghai.com)

## 2 General Description of Equipment under Test

### 2.1 Client Information

<b>Applicant</b>	Huawei Technologies Co., Ltd
<b>Applicant address</b>	Administration Building, Headquarters of Huawei Technologies Co., Ltd., Bantian, Longgang District, Shenzhen, China
<b>Manufacturer</b>	HiSilicon Technologies Co., Ltd.
<b>Manufacturer address</b>	D3, Huawei Base, Bantian, Longgang District, Shenzhen, China

### 2.2 General information

EUT Description			
Device Type:	Module Device		
Model Number:	Hikey970		
IMEI:	/		
HW Version:	Hikey970_VB		
SW Version:	android Q		
Antenna Type:	Chip Antenna		
Frequency:	Band	Tx (MHz)	Rx (MHz)
	WIFI 2.4G:	2412 ~ 2462	2412 ~ 2462
	WIFI 5G(U-NII-1):	5150 ~ 5250	5150 ~ 5250
	WIFI 5G(U-NII-3):	5725 ~ 5850	5725 ~ 5850
Modulation:	WLAN 802.11b: DSSS WLAN 802.11a/g/n: OFDM		
Test Mode:	EUT + 4K Display play video files via WIFI router		
Auxiliary test equipment			
4K Display	PC Manufacturer: DELL Model: U2718		
Adapter	Manufacturer: Asian Power Devices Inc. Model: WA-24Q12R		
Note: The information of the EUT is declared by the manufacturer.			



## 2.3 Applied Standards

According to the specifications of the manufacturer, it must comply with the requirements of the following standards:

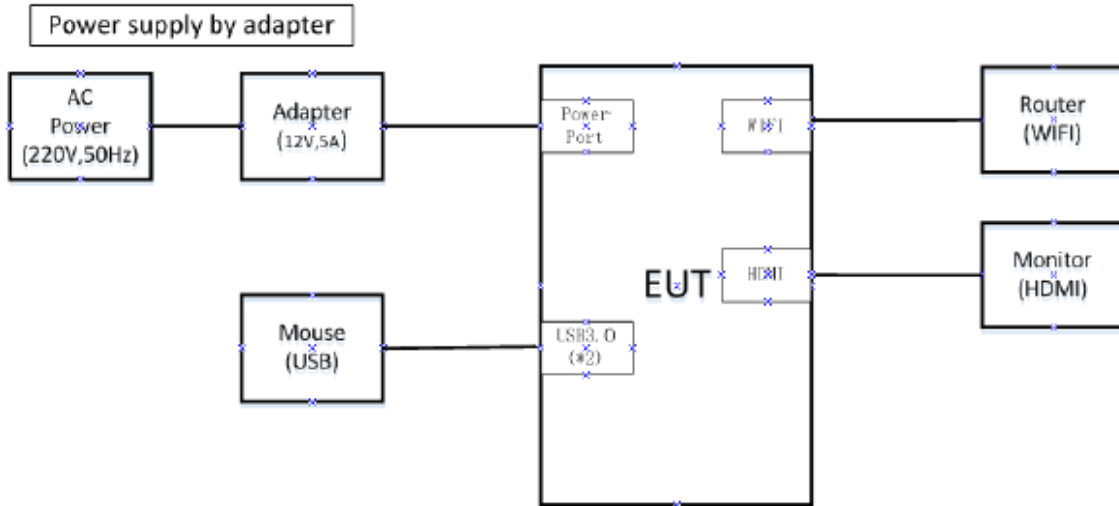
### Test standards

**FCC Code CFR47 Part15B (2018)**

**ANSI C63.4 (2014)**

## 2.4 Test Mode

Test Mode	
Mode 1	EUT + 4K Display play video files via WIFI router



**Test Configuration**



### 3 Test Case Results

#### 3.1 Radiated Emission

##### Ambient condition

Temperature	Relative humidity	Pressure
24°C~26°C	45%~50%	102.5kPa

##### Methods of Measurement

The EUT is placed on a non-metallic table 0.8m above the horizontal metal reference ground plane. The distance between EUT and receive antenna should be 3 meters. During the test, the EUT was operating in its typical mode. The test method is according to ANSI C63.4-2014. Sweep the whole frequency band through the range from 30MHz to the 5th harmonic of the carrier. During the test, the height of receive antenna shall be moved from 1 to 4 meters, and the antenna shall be performed under horizontal and vertical polarization. The turn table shall be rotated from 0 to 360 degrees for detecting the maximum of radiated signal level.

The data of cable loss and antenna factor has been calibrated in full testing frequency range before the testing. During the test, the EUT is worked at maximum output power.

Set the spectrum analyzer in the following:

Below 1GHz:

RBW=100 kHz / VBW=300 kHz / Sweep=AUTO

Above 1GHz:

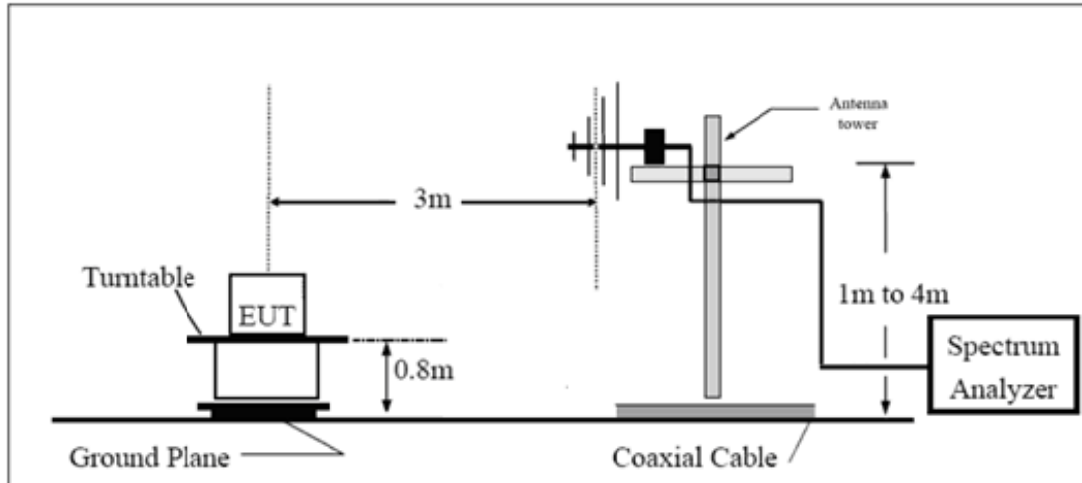
(a) PEAK: RBW=1MHz / VBW=3MHz/ Sweep=AUTO

(b) AVERAGE: RBW=1MHz / VBW=1Hz / Sweep=AUTO

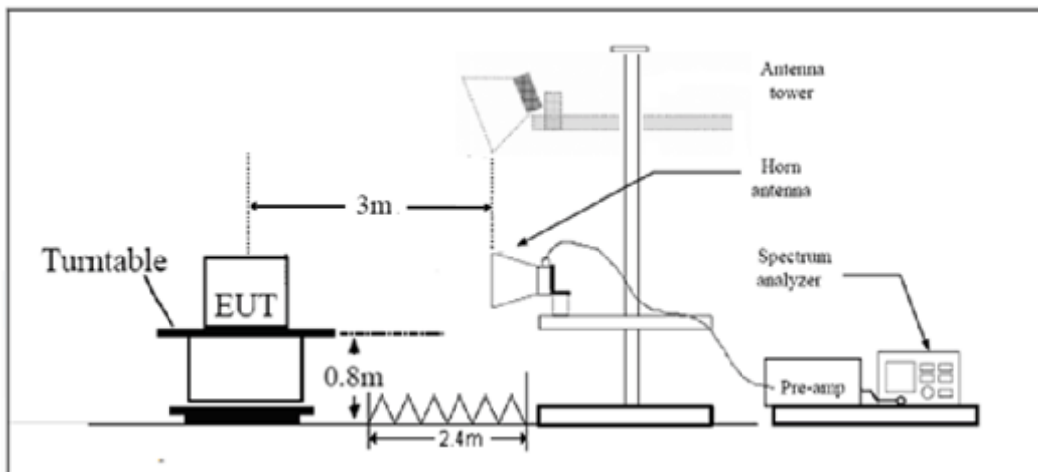
The radiated emission was measured in the following position: EUT stand-up position (Z axis), lie-down position (X, Y axis). The worst emission was found in lie-down position (X axis) and the worst case was recorded.

## Test Setup

### Below 1GHz



### Above 1GHz



Note: Area side:2.4mX3.6m

Antenna Tower meets ANSI C63.4 requirements for measurements above 1 GHz by keeping the antenna aimed at the EUT during the antenna's ascent/ descent along the antenna mast.

**Limits**

Frequency (MHz)	Field Strength (dB $\mu$ V/m)	Detector
30 -88	40.0	Quasi-peak
88-216	43.5	Quasi-peak
216 – 960	46.0	Quasi-peak
960-1000	54.0	Quasi-peak
1000-5 <sup>th</sup> harmonic of the highest frequency or 40GHz, which is lower	54 74	Average Peak

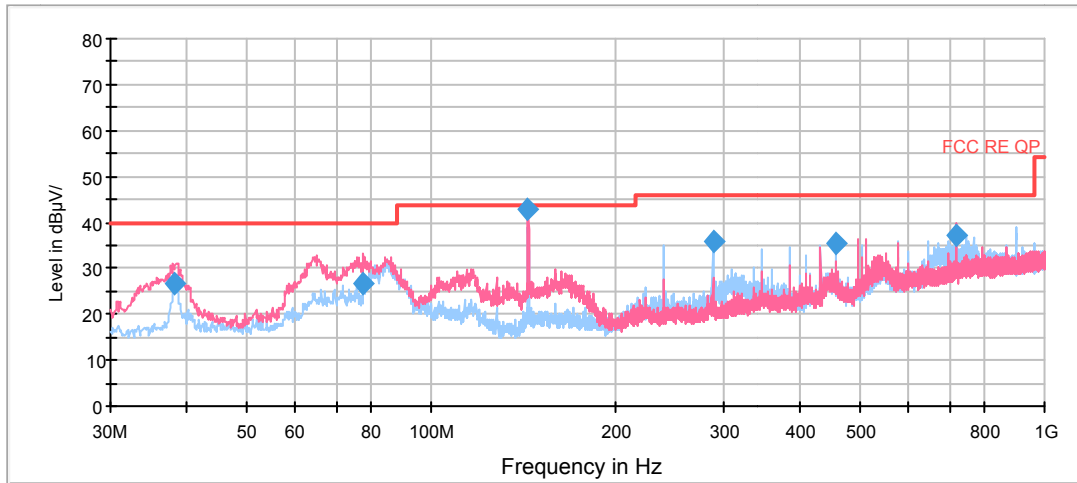
**Measurement Uncertainty**

The assessed measurement uncertainty to ensure 95% confidence level for the normal distribution is with the coverage factor  $k = 1.96$ .  $U = 3.704$  dB.

**Test Results**

The following graphs display the maximum values of horizontal and vertical by software.  
 For above 1GHz, Blue trace uses the peak detection, Green trace uses the average detection.

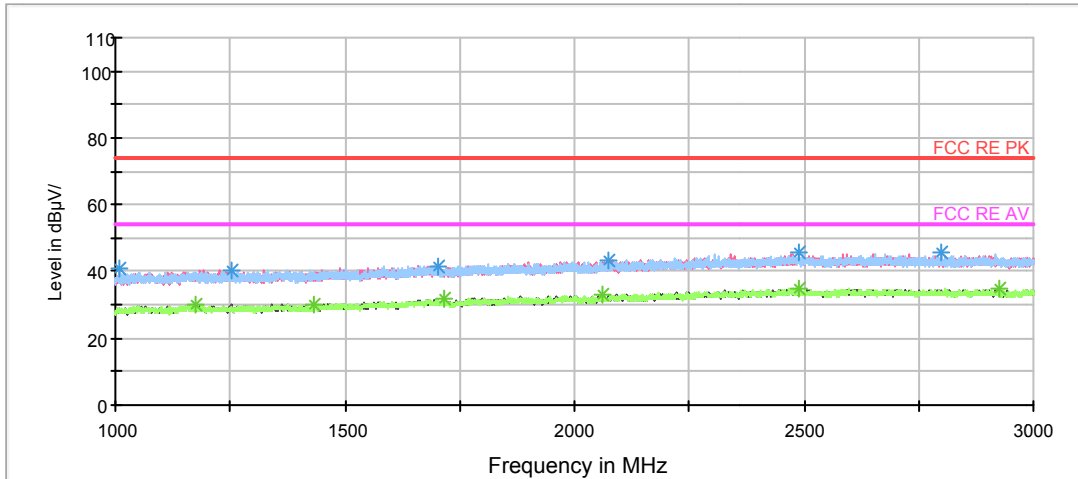
RE 0.03-1GHz QP Class B



Radiated Emission from 30MHz to 1GHz

Frequency (MHz)	Quasi-Peak (dBuV/m)	Reading value (dBuV/m)	Height (cm)	Polarization	Azimuth (deg)	Correct Factor (dB)	Margin (dB)	Limit (dBuV/m)
38.288750	26.7	13.9	100.0	V	213.0	12.8	13.3	40.0
77.331250	26.9	18.3	200.0	V	314.0	8.6	13.1	40.0
144.015000	42.7	33.6	100.0	V	201.0	9.1	0.8	43.5
288.020000	36.0	20.6	100.0	H	0.0	15.4	10.0	46.0
455.911250	35.5	15.9	200.0	H	46.0	19.6	10.5	46.0
719.993750	37.1	12.9	100.0	V	248.0	24.2	8.9	46.0

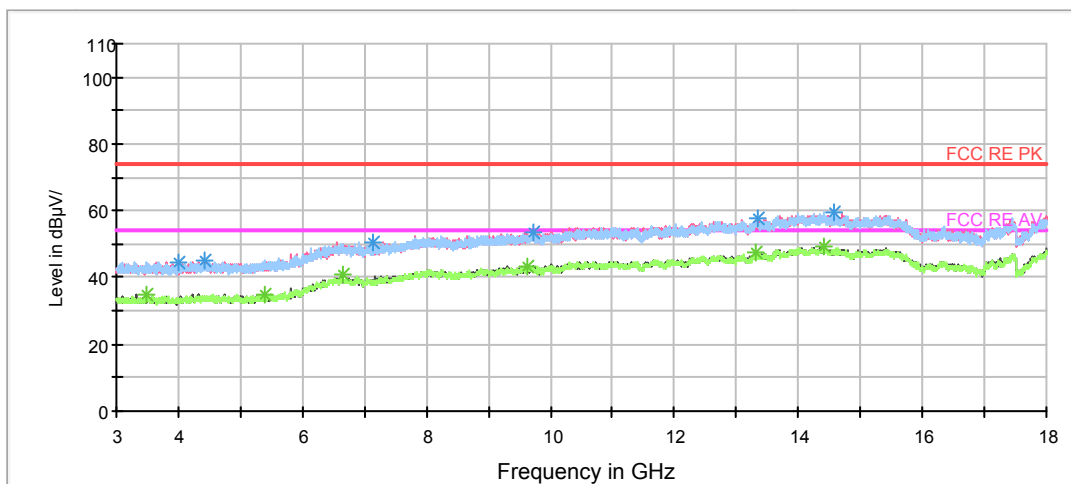
- Remark:**
1. Quasi-Peak = Reading value + Correction factor
  2. Correction Factor = Antenna factor+ Insertion loss(cable loss+amplifier gain)
  3. Margin = Limit – Quasi-Peak



Radiated Emission from 1GHz to 3GHz

Frequency (MHz)	Peak (dBuV/m)	Reading value (dBuV/m)	Height (cm)	Polarization	Azimuth (deg)	Correct Factor (dB)	Margin (dB)	Limit (dBuV/m)
1007.500000	40.6	52.7	100.0	H	177.0	-12.1	33.4	74.0
1252.250000	40.4	51.4	200.0	V	36.0	-11.0	33.6	74.0
1702.500000	41.6	50.4	200.0	V	267.0	-8.8	32.4	74.0
2075.750000	43.0	49.6	200.0	H	231.0	-6.6	31.0	74.0
2490.000000	45.5	50.2	200.0	H	107.0	-4.7	28.5	74.0
2799.750000	45.4	49.6	200.0	H	303.0	-4.2	28.6	74.0

Frequency (MHz)	Average (dBuV/m)	Reading value (dBuV/m)	Height (cm)	Polarization	Azimuth (deg)	Correct Factor (dB)	Margin (dB)	Limit (dBuV/m)
1175.500000	29.9	41.2	200.0	V	117.0	-11.3	24.1	54.0
1433.250000	30.1	40.4	100.0	H	240.0	-10.3	23.9	54.0
1715.750000	31.6	40.6	200.0	V	117.0	-9.0	22.4	54.0
2062.500000	33.0	39.9	200.0	H	206.0	-6.9	21.0	54.0
2489.750000	35.1	39.8	100.0	H	36.0	-4.7	18.9	54.0
2927.750000	34.8	39.1	200.0	H	333.0	-4.3	19.2	54.0



Radiated Emission from 3GHz to 18GHz

Frequency (MHz)	Peak (dBuV/m)	Reading value (dBuV/m)	Height (cm)	Polarization	Azimuth (deg)	Correct Factor (dB)	Margin (dB)	Limit (dBuV/m)
3997.500000	44.7	47.9	200.0	V	0.0	-3.2	29.3	74.0
4423.125000	45.2	47.5	200.0	V	13.0	-2.3	28.8	74.0
7149.375000	50.6	46.8	200.0	V	0.0	3.8	23.4	74.0
9725.625000	53.7	46.5	100.0	V	321.0	7.2	20.3	74.0
13348.125000	57.5	44.3	200.0	V	0.0	13.2	16.5	74.0
14568.750000	59.4	43.6	200.0	V	138.0	15.8	14.6	74.0

Frequency (MHz)	Average (dBuV/m)	Reading value (dBuV/m)	Height (cm)	Polarization	Azimuth (deg)	Correct Factor (dB)	Margin (dB)	Limit (dBuV/m)
3500.625000	35.1	38.9	200.0	V	0.0	-3.8	18.9	54.0
5394.375000	34.8	35.7	100.0	V	236.0	-0.9	19.2	54.0
6637.500000	40.7	36.4	200.0	V	305.0	4.3	13.3	54.0
9633.750000	43.3	36.3	200.0	V	197.0	7.0	10.7	54.0
13306.875000	47.2	33.6	200.0	V	0.0	13.6	6.8	54.0
14401.875000	49.0	33.1	200.0	H	222.0	15.9	5.0	54.0

### 3.2 Conducted Emission

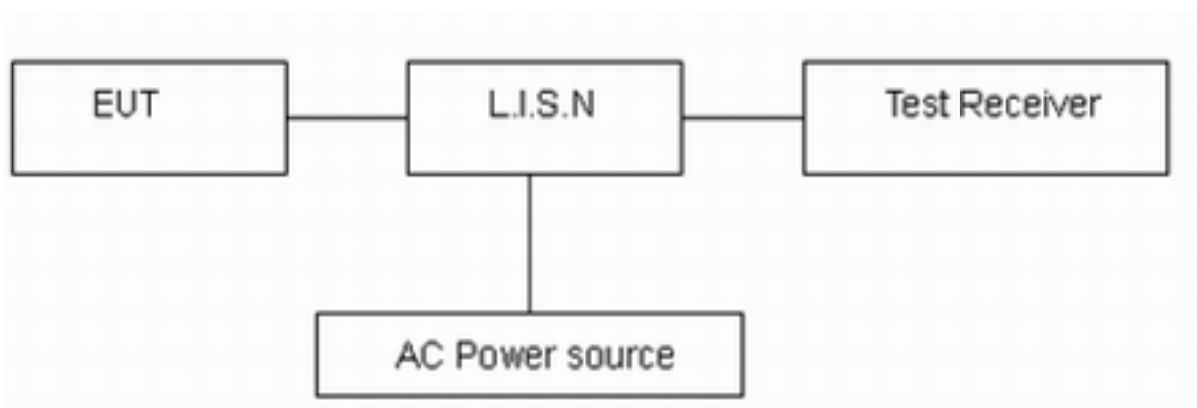
#### Ambient condition

Temperature	Relative humidity	Pressure
24°C ~26°C	50%~55%	102.5kPa

#### Methods of Measurement

The EUT is placed on a non-metallic table of 80cm height above the horizontal metal reference ground plane. During the test, the EUT was operating in its typical mode. The test method is according to ANSI C63.4-2014. Connect the AC power line of the EUT to the L.I.S.N. Use EMI receiver to detect the average and Quasi-peak value. RBW is set to 9 kHz, VBW is set to 30kHz. The measurement result should include both L line and N line.

#### Test Setup



Note: Power Supply is AC Power source and it is used to change the voltage 120V/60Hz.

#### Limits

Frequency (MHz)	Conducted Limits(dBμV)	
	Quasi-peak	Average
0.15 - 0.5	66 to 56 *	56 to 46 *
0.5 - 5	56	46
5 - 30	60	50

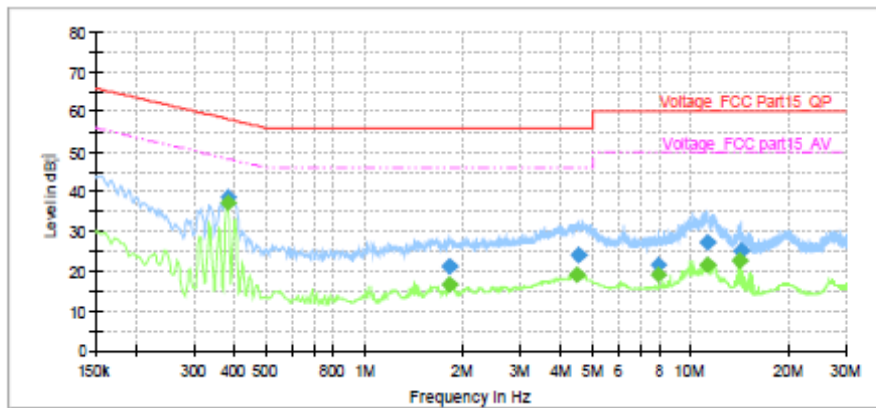
\*: Decreases with the logarithm of the frequency.

#### Measurement Uncertainty

The assessed measurement uncertainty to ensure 95% confidence level for the normal distribution is with the coverage factor  $k = 1.96$ .  $U = 2.57$  dB.

### Test Results

Following plots, Blue trace uses the peak detection; Green trace uses the average detection.

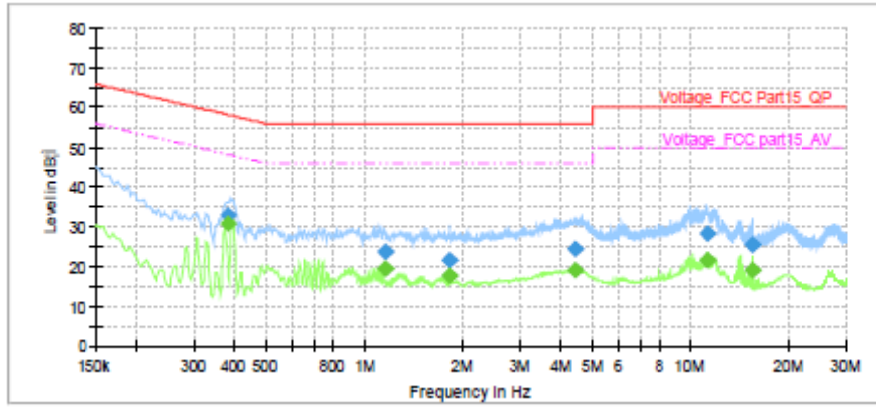


Frequency (MHz)	QuasiPeak (dB V)	Average (dB V)	Limit (dB V)	Margin (dB)	Meas. Time (ms)	Bandwidth (kHz)	Line	Filter	Corr. (dB)
0.379500	---	37.17	48.29	11.12	1000.0	9.000	L1	ON	19.2
0.381750	38.43	---	58.24	19.81	1000.0	9.000	L1	ON	19.2
1.828500	21.23	---	56.00	34.77	1000.0	9.000	L1	ON	19.2
1.830750	---	16.78	46.00	29.22	1000.0	9.000	L1	ON	19.2
4.472250	---	19.00	46.00	27.00	1000.0	9.000	L1	ON	19.1
4.537500	24.19	---	56.00	31.81	1000.0	9.000	L1	ON	19.1
7.923750	21.58	---	60.00	38.42	1000.0	9.000	L1	ON	19.2
7.923750	---	19.18	50.00	30.82	1000.0	9.000	L1	ON	19.2
11.222250	---	21.61	50.00	28.39	1000.0	9.000	L1	ON	19.4
11.256000	27.24	---	60.00	32.76	1000.0	9.000	L1	ON	19.4
14.118000	---	22.66	50.00	27.34	1000.0	9.000	L1	ON	19.5
14.221500	25.09	---	60.00	34.91	1000.0	9.000	L1	ON	19.5

L line

Conducted Emission from 150 KHz to 30 MHz





Frequency (MHz)	QuasiPeak (dB V)	Average (dB V)	Limit (dB V)	Margin (dB)	Meas. Time (ms)	Bandwidth (kHz)	Line	Filter	Corr. (dB)
0.379500	---	30.76	48.29	17.53	1000.0	9.000	N	ON	19.2
0.379500	32.97	---	58.29	25.32	1000.0	9.000	N	ON	19.2
1.158000	---	19.32	46.00	26.68	1000.0	9.000	N	ON	19.2
1.160250	23.76	---	56.00	32.24	1000.0	9.000	N	ON	19.2
1.828500	21.69	---	56.00	34.31	1000.0	9.000	N	ON	19.2
1.828500	---	17.80	46.00	28.20	1000.0	9.000	N	ON	19.2
4.411500	---	19.15	46.00	26.85	1000.0	9.000	N	ON	19.1
4.413750	24.35	---	56.00	31.65	1000.0	9.000	N	ON	19.1
11.222250	---	21.70	50.00	28.30	1000.0	9.000	N	ON	19.4
11.224500	28.20	---	60.00	31.80	1000.0	9.000	N	ON	19.4
15.364500	---	18.99	50.00	31.01	1000.0	9.000	N	ON	19.4
15.366750	25.47	---	60.00	34.53	1000.0	9.000	N	ON	19.4

N line  
 Conducted Emission from 150 KHz to 30 MHz

## 4 Main Test Instrument

Name	Manufacturer	Type	Serial Number	Last Cal.	Cal. Due Date
Signal Analyzer	R&S	FSV30	100815	2017-12-17	2018-12-16
EMI Test Receiver	R&S	ESCI	100948	2018-05-20	2019-05-19
Trilog Antenna	SCHWARZBECK	VULB 9163	9163-201	2017-11-18	2019-11-17
Horn Antenna	R&S	HF907	100126	2018-07-07	2020-07-06
Horn Antenna	ETS-Lindgren	3160-09	00102643	2018-06-20	2019-06-19
EMI Test Receiver	R&S	ESR	101667	2018-05-20	2019-05-19
LISN	R&S	ENV216	101171	2016-12-16	2019-12-15
Bore Sight Antenna mast	ETS	2171B	00058752	/	/
Test software	EMC32	R&S	9.26.0	/	/

\*\*\*\*\*END OF REPORT \*\*\*\*\*