



FCC SAR Compliance Test Report

Product Name: LTE/UMTS Smart Phone; HUAWEI Ascend G6

Model: HUAWEI G6-L33, G6-L33

Report No.: SYBH(Z-SAR)016022014-2

FCC ID: QISG6-L33

	APPROVED (Lab Manager)	PREPARED (Test Engineer)
BY	<i>Wei Huanbin</i>	<i>gongzhong</i>
DATE	2014-03-24	2014-03-24

The test results of this test report relate exclusively to the item(s) tested, The HUAWEI does not assume responsibility for any conclusions and generalisations drawn from the test results with regard to other specimens or samples of the type of the equipment represented by the test item. The test report may only be reproduced or published in full. Reproduction or publication of extracts from the report requires the prior written approval of HUAWEI.

Reliability Laboratory of Huawei Technologies Co., Ltd.

Administration Building, Headquarters of Huawei Technologies Co., Ltd., Bantian, Longgang District, Shenzhen, 518129, P.R.C

Tel: +86 755 28780808 Fax: +86 755 89652518

Table of Contents

1	General Information.....	5
1.1	Statement of Compliance	5
1.2	RF exposure limits.....	6
1.3	EUT Description	7
1.3.1	General Description	9
1.3.2	Hotspot power reduction specification for SAR	10
1.4	Test specification(s).....	11
1.5	Testing laboratory.....	11
1.6	Applicant and Manufacturer	11
1.7	Application details.....	11
1.8	Ambient Condition	11
2	SAR Measurement System.....	12
2.1	SAR Measurement Set-up	12
2.2	Test environment.....	13
2.3	Data Acquisition Electronics description	13
2.4	Probe description.....	14
2.5	Phantom description.....	15
2.6	Device holder description	16
2.7	Test Equipment List.....	17
3	SAR Measurement Procedure	18
3.1	Scanning procedure	18
3.2	Spatial Peak SAR Evaluation	19
3.3	Data Storage and Evaluation	20
4	System Verification Procedure	22
4.1	Tissue Verification	22
4.2	System Check	26
4.3	System check Procedure.....	27
5	SAR measurement variability and uncertainty	28
5.1	SAR measurement variability	28
5.2	SAR measurement uncertainty	28
6	SAR Test Configuration.....	29
6.1	GSM Test Configuration	29
6.2	UMTS Test Configuration	29
6.3	LTE Test Configuration.....	35
6.4	WiFi 2.4G Test Configuration	38
7	SAR Measurement Results	39
7.1	Conducted power measurements	39
7.1.1	Conducted power measurements of GSM850	40
7.1.2	Conducted power measurements of GSM1900	41
7.1.3	Conducted power measurements of UMTS Band V.....	42
7.1.4	Conducted power measurements of UMTS Band IV.....	43
7.1.5	Conducted power measurements of UMTS Band II	44
7.1.1	Conducted power measurements of LTE Band II.....	45
7.1.1	Conducted power measurements of LTE Band IV	48
7.1.2	Conducted power measurements of LTE Band VII	51
7.1.3	Conducted power measurements of WiFi 2.4G.....	55
7.1.4	Conducted power measurements of BT	55
7.2	SAR measurement Results	56
7.2.1	SAR measurement Result of GSM850.....	57
7.2.2	SAR measurement Result of GSM1900.....	60
7.2.1	SAR measurement Result of UMTS Band V	62
7.2.2	SAR measurement Result of UMTS Band IV	64
7.2.3	SAR measurement Result of UMTS Band II	66
7.2.4	SAR measurement Result of LTE Band II	68
7.2.5	SAR measurement Result of LTE Band IV.....	71
7.2.6	SAR measurement Result of LTE Band VII.....	74
7.2.7	SAR measurement Result of WiFi 2.4G	77
7.3	Multiple Transmitter Evaluation	79
7.3.1	Stand-alone SAR test exclusion	80
7.3.2	Simultaneous Transmission Possibilities.....	81



7.3.3	SAR Summation Scenario	81
7.3.4	SPLSR Evaluation Analysis	86
7.3.5	Simultaneous Transmission Conclucion.....	91
	Appendix A. System Check Plots.....	92
	Appendix B. SAR Measurement Plots.....	92
	Appendix C. Calibration Certificate	92
	Appendix D. Photo documentation.....	92



※ ※ **Modified History** ※ ※

REV.	DESCRIPTION	ISSUED DATE	REMARK
Rev.1.0	Initial Test Report Release	2014-03-24	Gong Zhong

1 General Information

1.1 Statement of Compliance

The maximum results of Specific Absorption Rate (SAR) found during testing for HUAWEI G6-L33, G6-L33 are as below Table 1.

Band	Max Reported SAR(W/kg)		
	1-g Head	1-g Body-worn (15mm) *	1-g Hotspot (10mm)
GSM850	0.844	0.988	1.234
GSM1900	0.407	0.374	0.936
UMTS Band V	0.741	0.896	1.032
UMTS Band IV	0.872	0.944	1.382
UMTS Band II	0.723	0.762	1.420
LTE Band II	0.769	0.679	1.421
LTE Band IV	0.912	0.758	1.318
LTE Band VII	0.523	1.370	0.940
WiFi 2.4G	0.649	0.109	0.287
The highest simultaneous SAR value is 1.588W/kg per KDB690783 D01			

Table 1: Summary of test result

Note:

1)* For body-worn operation, this device has been tested and meets FCC RF exposure guidelines when used with any accessory that contains no metal and that positions the handset a minimum of 15mm from the body. Use of other accessories may not ensure compliance with FCC RF exposure guidelines.

The device is in compliance with Specific Absorption Rate (SAR) for general population/uncontrolled exposure limits according to the FCC rule §2.1093, the ANSI/IEEE C95.1:1992, the NCRP Report Number 86 for uncontrolled environment, according to the Industry Canada Radio Standards Specification RSS-102 for General Population/Uncontrolled exposure, and had been tested in accordance with the measurement methods and procedures specified in IEEE Std 1528-2003 & IEEE Std 1528a-2005.

1.2 RF exposure limits

Human Exposure	Uncontrolled Environment General Population	Controlled Environment Occupational
Spatial Peak SAR* (Brain/Body/Arms/Legs)	1.60 mW/g	8.00 mW/g
Spatial Average SAR** (Whole Body)	0.08 mW/g	0.40 mW/g
Spatial Peak SAR*** (Hands/Feet/Ankle/Wrist)	4.00 mW/g	20.00 mW/g

Table 2: RF exposure limits

The limit applied in this test report is shown in **bold** letters

Notes:

- * The Spatial Peak value of the SAR averaged over any 1 gram of tissue (defined as a tissue volume in the shape of a cube) and over the appropriate averaging time.
- ** The Spatial Average value of the SAR averaged over the whole body.
- *** The Spatial Peak value of the SAR averaged over any 10 grams of tissue (defined as a tissue volume in the shape of a cube) and over the appropriate averaging time.

Uncontrolled Environments are defined as locations where there is the exposure of individuals who have no knowledge or control of their exposure.

Controlled Environments are defined as locations where there is exposure that may be incurred by persons who are aware of the potential for exposure, (i.e. as a result of employment or occupation).

1.3 EUT Description

Device Information:			
DUT Name:	LTE/UMTS Smart Phone; HUAWEI Ascend G6		
Type Identification:	HUAWEI G6-L33, G6-L33		
FCC ID :	QISG6-L33		
SN No.:	H7W2A91412300090		
Device Type :	Portable device		
Device Phase:	Identical Prototype		
Exposure Category:	Uncontrolled environment / general population		
Hardware Version :	HL1G6L22M		
Software Version :	G6-L33V100R001C00B105		
Antenna Type :	Internal antenna		
Others Accessories	Headset		
Device Operating Configurations:			
Supporting Mode(s)	GSM850/1900,UMTS Band II/IV/V,LTE Band II/IV/VII,WiFi(tested), BT,NFC		
Test Modulation	GSM(GMSK/8PSK),UMTS(QPSK),LTE(QPSK/16QAM),WiFi(BPSK)		
Device Class	B		
Operating Frequency Range(s)	Band	Tx (MHz)	Rx (MHz)
	GSM850	824-849	869-894
	GSM1900	1850-1910	1930-1990
	UMTS Band V	824-849	869-894
	UMTS Band IV	1713-1753	2113-2153
	UMTS Band II	1850-1910	1930-1990
	LTE Band II	1850-1910	1930-1990
	LTE Band IV	1710-1755	2110-2155
	LTE Band VII	2500-2570	2620-2690
	BT	2402-2480	
	WiFi	2412-2462	
NFC	13.56		
GPRS Multislot Class(12)	Max Number of Timeslots in Uplink:	4	
	Max Number of Timeslots in Downlink:	4	
	Max Total Timeslot:	5	
EGPRS Multislot Class(12)	Max Number of Timeslots in Uplink:	4	
	Max Number of Timeslots in Downlink:	4	
	Max Total Timeslot:	5	
Power Class:	4, tested with power level 5(GSM850)		
	1, tested with power level 0(GSM1900)		
	3, tested with power control "all 1"(UMTS Band II)		
	3, tested with power control "all 1"(UMTS Band IV)		
	3, tested with power control "all 1"(UMTS Band V)		
	3, tested with power control all Max.(LTE Band II)		
	3, tested with power control all Max.(LTE Band IV)		
	3, tested with power control all Max.(LTE Band VII)		
Test Channels (low-mid-high):	128-190-251(GSM850)		
	512-661-810(GSM1900)		
	9262-9400-9538(UMTS Band II)		
	1312-1413-1512(UMTS Band IV)		
	4132-4182-4233(UMTS Band V)		
	18625-18900-19175(LTE Band II BW=5MHz)		
	18650-18900-19150(LTE Band II BW=10MHz)		
18675-18900-19125(LTE Band II BW=15MHz)			

18700-18900-19100(LTE Band II BW=20MHz)
19975-20175-20375(LTE Band IV BW=5MHz)
20000-20175-20350(LTE Band IV BW=10MHz)
20025-20175-20325(LTE Band IV BW=15MHz)
20050-20175-20300(LTE Band IV BW=20MHz)
20775-21100-21425(LTE Band VII BW=5MHz)
20800-21100-21400(LTE Band VII BW=10MHz)
20825-21100-21375(LTE Band VII BW=15MHz)
20850-21100-21350(LTE Band VII BW=20MHz)
1-6-11 (WiFi 2450)

Table 3: Device information and operating configuration

1.3.1 General Description



HUAWEI G6-L33, G6-L33 is subscriber equipment in the LTE/WCDMA/GSM system. The HSPA/UMTS frequency band is Band I and Band II and Band V and Band IV. The LTE frequency band is B2 and B7 and B4. The GSM/GPRS/EDGE frequency band includes GSM850 and GSM900 and DCS1800 and PCS1900, but only GSM850 and GSM1900MHz and WCDMA850 and W1900 and W1700 and LTE B2 and LTE B4 and LTE B7 bands test data included in this report. The Mobile Phone implements such functions as RF signal receiving/transmitting, LTE/HSPA/UMTS and GSM/GPRS/EDGE protocol processing, voice, video MMS service, GPS, AGPS, NFC and WIFI etc. Externally it provides micro SD card interface, earphone port (to provide voice service) and USIM card interface. It also provides Bluetooth module to synchronize data between a PC and the phone, or to use the built-in modem of the phone to access the Internet with a PC, or to exchange data with other Bluetooth devices.

he mobile phone G6-L22 and G6-L33 are LTE/UMTS mobile phone with Bluetooth

The differences among G6-L22 and G6-L33 are showed in the following table. Other parts of the mobile phone are the same, including the appearance, the antenna, Chipset, Bluetooth mode, Wifi mode, Adapter, Battery, Mainboard and so on.

	G6-L22	G6-L33
GSM four bands	the same	the same
WCDMA bands	B1/B5/B8	B1/B2/B4/B5
LTE bands	B1/B3/B7	B2/B4/B7
FCC bands	GSM850/1900,W850,LTE B7	GSM850/1900,W1900/AWS/W850 LTE B2 B4 B7
FLASH	the same	the same
Mainboard	the same	the same
PCB layout	the same	the same
Appearance	the same	the same
NFC	the same	the same
Bluetooth mode	the same	the same
WLAN mode	the same	the same
BT/ WLAN antenna	the same	the same
GSM/ WCDMA/LTE antenna	the same	the same
External camera	the same	the same
internal camera	the same	the same
Adapter	the same	the same
Battery	the same	the same
Chipset	the same	the same
Memory	the same	the same
RF Parameter	The same RF Parameter in the same band	The same RF Parameter in the same band
Dimension	the same	the same
Main Frequency NV	The same NV in the same band	The same NV in the same band

Battery:

Name	Manufacture	Serials number	Description
Rechargeable Li-ion	Huawei Technologies Co., Ltd.	1#: SN-SUCDC09952901912 2#: SN-SUDB18925345983	Battery Model: HB3742A0EBC Rated capacity: 2000mAh Nominal Voltage:  +3.8V Charging Voltage:  +4.35V

1.3.2 Hotspot power reduction specification for SAR

This device uses a single fixed level of power reduction through static table look-up for SAR compliance and it is triggered by a single event or operation. A fixed level power reduction is applied when hotspot mode becomes active. When the hotspot is disabled, the power value will be recovered. A KDB inquiry with prior confirmation through that the triggering conditions for the specific implementation has been submitted and the guidance provided in KDB 388624 D02 item 17(a) can be satisfied.

Item	Description
Supporting power reduction or not	Yes
Frequency Band(s) using power reduction	LTE Band VII
Power reduction feature	A fixed power reduction is applied when hotspot mode becomes active. When the hotspot is disabled, the power value will be recovered.
Triggering conditions	Only hotspot mode (wireless routing) and nothing else is used to trigger this power reduction.
Full power and reduced power specifications	See Section 7.1
All simultaneous voice and data transmissions combinations and considerations	See Section 7.3

1.4 Test specification(s)

ANSI Std C95.1-1992	Safety Levels with Respect to Human Exposure to Radio Frequency Electromagnetic Fields, 3 kHz – 300 GHz.(IEEE Std C95.1-1991)
IEEE Std 1528-2003	Recommended Practice for Determining the Peak Spatial-Average Specific Absorption Rate (SAR) in the Human Head from Wireless Communications Devices: Measurement Techniques
IEEE Std 1528a-2005	IEEE Recommended Practice for Determining the Peak Spatial-Average Specific Absorption Rate (SAR) in the Human Head from Wireless Communications Devices: Measurement Techniques Amendment 1: CAD File for Human Head Model (SAM Phantom)
RSS-102	Radio Frequency Exposure Compliance of Radiocommunication Apparatus (All Frequency Bands (Issue 4 of March 2010)
KDB941225 D01	SAR test for 3G devices v02
KDB941225 D02	HSPA and 1x Advanced v02r02
KDB941225 D03	SAR Test Reduction GSM GPRS EDGE v01
KDB941225 D05	SAR for LTE Devices v02r03
KDB941225 D06	Hot Spot SAR v01r01
KDB447498 D01	General RF Exposure Guidance v05r02
KDB648474 D04	SAR Handsets Multi Xmitter and Ant v01r02
KDB248227 D01	SAR meas for 802.11 a/b/g v01r02
KDB865664 D01	SAR measurement 100 MHz to 6 GHz v01r03
KDB865664 D02	SAR Reporting v01r01
KDB690783 D01	SAR Listings on Grants v01r03

1.5 Testing laboratory

Test Site	The Reliability Laboratory of Huawei Technologies Co., Ltd.
Test Location	Zone K3,Huawei Industrial Base, Bantian Industry Area, Longgang District, Shenzhen, Guangdong, China
Telephone	+86 755 28780808
Fax	+86 755 89652518
State of accreditation	The Test laboratory (area of testing) is accredited according to ISO/IEC 17025. CNAS Registration number: L0310 A2LA TESTING CERT #2174.01

1.6 Applicant and Manufacturer

Company Name	HUAWEI TECHNOLOGIES CO., LTD
Address	Administration Building, Headquarters of Huawei Technologies Co., Ltd., Bantian, Longgang District, Shenzhen, 518129, P.R.C

1.7 Application details

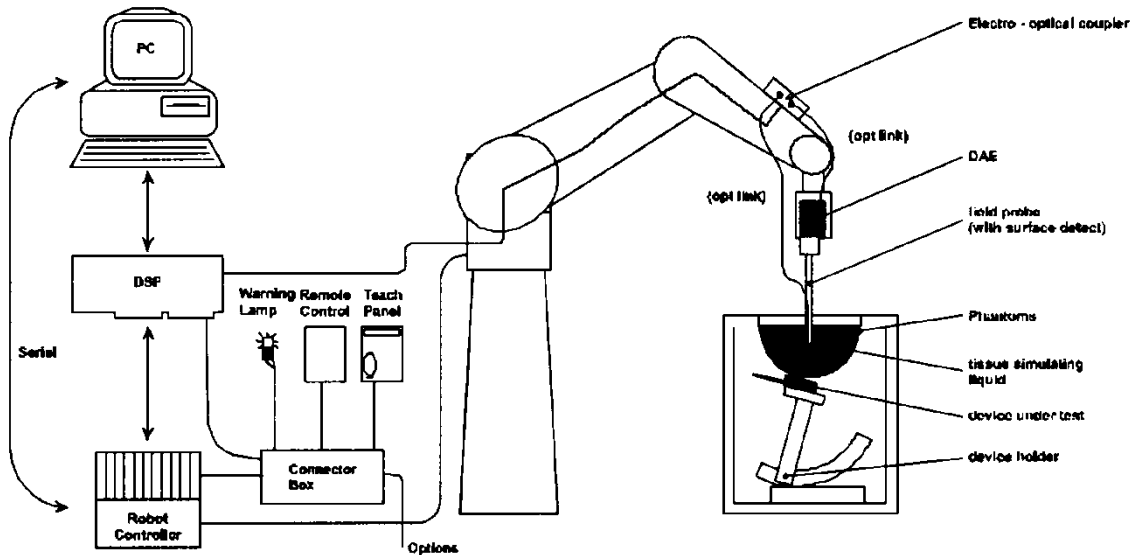
Start Date of test	2014-02-23
End Date of test	2014-03-22

1.8 Ambient Condition

Ambient temperature	20°C – 24°C
Relative Humidity	30% – 70%

2 SAR Measurement System

2.1 SAR Measurement Set-up



The DASY5 system for performing compliance tests consists of the following items:

- A standard high precision 6-axis robot (Stäubli RX family) with controller and software. An arm extension for accommodating the data acquisition electronics (DAE).
- A dosimetric probe, i.e. an isotropic E-field probe optimized and calibrated for usage in tissue simulating liquid. The probe is equipped with an optical surface detector system.
- A data acquisition electronic (DAE) which performs the signal amplification, signal multiplexing, AD-conversion, offset measurements, mechanical surface detection, collision detection, etc. The unit is battery powered with standard or rechargeable batteries. The signal is optically transmitted to the EOC.
- A unit to operate the optical surface detector which is connected to the EOC.
- The Electro-Optical Coupler (EOC) performs the conversion from the optical into a digital electric signal of the DAE. The EOC is connected to the DASY5 measurement server.
- The DASY5 measurement server, which performs all real-time data evaluation for field measurements and surface detection, controls robot movements and handles safety operation. A computer operating Windows 7.
- DASY5 software and SEMCAD data evaluation software.
- Remote control with teach panel and additional circuitry for robot safety such as warning lamps, etc.
- The generic twin phantom enabling the testing of left-hand and right-hand usage.
- The device holder for handheld mobile phones.
- Tissue simulating liquid mixed according to the given recipes.
- System check dipoles allowing to validate the proper functioning of the system.

2.2 Test environment

The DASY4 measurement system is placed at the head end of a room with dimensions: 5 x 2.5 x 3 m³, the SAM phantom is placed in a distance of 75 cm from the side walls and 1.1m from the rear wall. Above the test system a 1.5 x 1.5 m² array of pyramid absorbers is installed to reduce reflections from the ceiling.

Picture 1 of the photo documentation shows a complete view of the test environment.


The system allows the measurement of SAR values larger than 0.005 mW/g.

2.3 Data Acquisition Electronics description

The data acquisition electronics (DAE) consist of a highly sensitive electrometer-grade preamplifier with auto-zeroing, a channel and gain-switching multiplexer, a fast 16 bit AD-converte and a command decoder with a control logic unit. Transmission to the measurement server is accomplished through an optical downlink for data and status information, as well as an optical uplink for commands and the clock.

The mechanical probe mounting device includes two different sensor systems for frontal and sideways probe contacts. They are used for mechanical surface detection and probe collision detection.

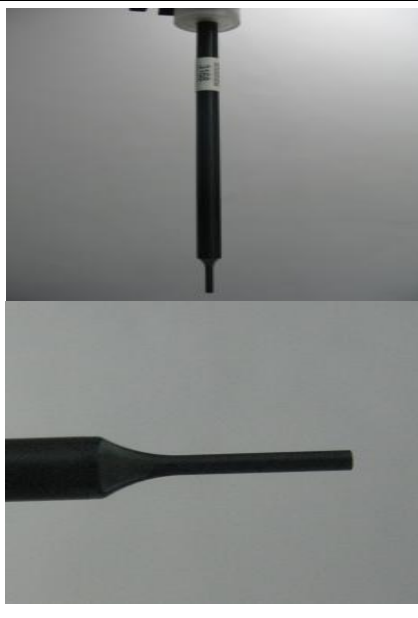
DAE4

Input Impedance	200MOhm	
The Inputs	symmetrical and floating	
Common mode rejection	above 80 dB	

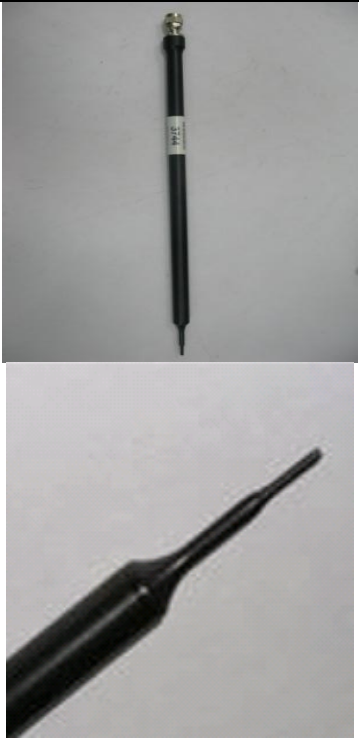
2.4 Probe description

These probes are specially designed and calibrated for use in liquids with high permittivities. They should not be used in air, since the spherical isotropy in air is poor (± 2 dB). The dosimetric probes have special calibrations in various liquids at different frequencies.

Isotropic E-Field Probe ES3DV3 for Dosimetric Measurements


Construction	Symmetrical design with triangular core Interleaved sensors Built-in shielding against static charges PEEK enclosure material (resistant to organic solvents, e.g., DGBE)	
Calibration	ISO/IEC 17025 calibration service available.	
Frequency	10 MHz to 4 GHz; Linearity: ± 0.2 dB (30 MHz to 4 GHz)	
Directivity	± 0.2 dB in HSL (rotation around probe axis) ± 0.3 dB in tissue material (rotation normal to probe axis)	
Dynamic range	5 μ W/g to > 100 mW/g; Linearity: ± 0.2 dB	
Dimensions	Overall length: 337 mm (Tip: 20 mm) Tip diameter: 3.9 mm (Body: 12 mm) Distance from probe tip to dipole centers: 2.0 mm	
Application	General dosimetry up to 4 GHz Dosimetry in strong gradient fields Compliance tests of mobile phones	

Isotropic E-Field Probe EX3DV4 for Dosimetric Measurements

Construction	Symmetrical design with triangular core Built-in shielding against static charges PEEK enclosure material (resistant to organic solvents, e.g., DGBE)	
Calibration	ISO/IEC 17025 calibration service available.	
Frequency	10 MHz to >6 GHz; Linearity: ± 0.2 dB (30 MHz to 6 GHz)	
Directivity	± 0.3 dB in HSL (rotation around probe axis) ± 0.5 dB in tissue material (rotation normal to probe axis)	
Dynamic range	10 μ W/g to > 100 mW/g; Linearity: ± 0.2 dB (noise: typically < 1 μ W/g)	
Dimensions	Overall length: 337 mm (Tip: 20 mm) Tip diameter: 2.5 mm (Body: 12 mm) Typical distance from probe tip to dipole centers: 1 mm	
Application	High precision dosimetric measurements in any exposure scenario (e.g., very strong gradient fields). Only probe which enables compliance testing for frequencies up to 6 GHz with precision of better 30%	

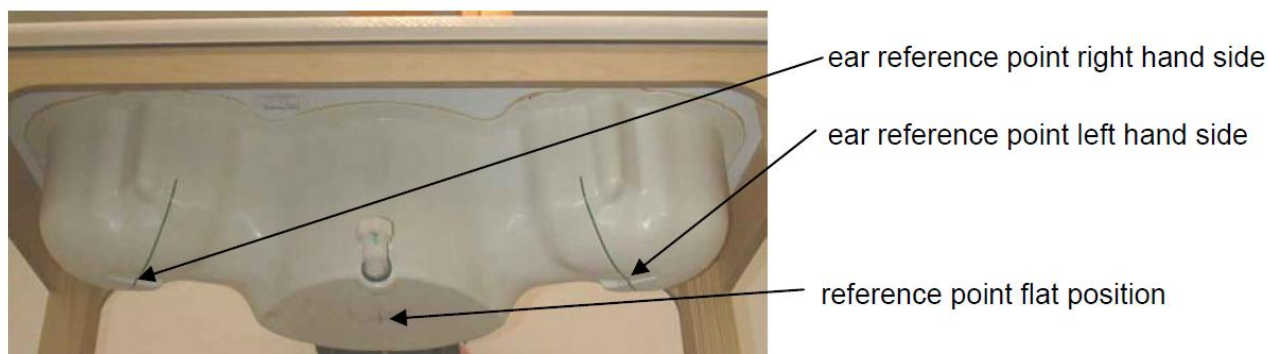
2.5 Phantom description

SAM Twin Phantom

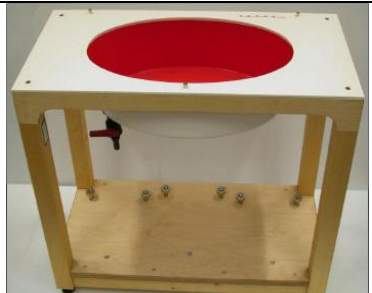
Shell Thickness	2mm +/- 0.2 mm; The ear region: 6mm	
Filling Volume	Approximately 30 liters	
Dimensions	Length:1000mm; Width:500mm; Height: adjustable feet	
Measurement Areas	Left hand Right hand Flat phantom	

The bottom plate contains three pairs of bolts for locking the device holder. The device holder positions are adjusted to the standard measurement positions in the three sections. A white cover is provided to cover the phantom during off-periods to prevent water evaporation and changes in the liquid parameters. Free space scans of devices on top of this phantom cover are possible. Three reference marks are provided on the phantom counter. These reference marks are used to teach the absolute phantom position relative to the robot.

The following figure shows the definition of reference point:



ELI4 Phantom

Shell Thickness	2mm +/- 0.2 mm	
Filling Volume	Approximately 30 liters	
Dimensions	Length:1000mm; Width:500mm; Height: adjustable feet	
Measurement Areas	Flat phantom	

The ELI4 phantom is intended for compliance testing of handheld and body-mounted wireless devices in the frequency range of 30MHz to 6GHz. ELI4 is fully compatible with the latest draft of the standard IEC 62209-2 and all known tissue simulating liquids.

The phantom shell material is resistant to all ingredients used in the tissue-equivalent liquid recipes. The shell of the phantom including ear spacers is constructed from low permittivity and low loss material, with a relative permittivity ≤ 5 and a loss tangent ≤ 0.05 .

2.6 Device holder description

The DASY5 device holder has two scales for device rotation (with respect to the body axis) and the device inclination (with respect to the line between the ear openings). The plane between the ear openings and the mouth tip has a rotation angle of 65° . The bottom plate contains three pair of bolts for locking the device holder. The device holder positions are adjusted to the standard measurement positions in the three sections. This device holder is used for standard mobile phones or PDA's only. If necessary an additional support of polystyrene material is used.



The DASY device holder is constructed of low-loss POM material having the following dielectric parameters: relative permittivity $\epsilon = 3$ and loss tangent $\sigma = 0.02$. The amount of dielectric material has been reduced in the closest vicinity of the device, since measurements have suggested that the influence of the clamp on the test results could thus be lowered.

The device holder permits the device to be positioned with a tolerance of $\pm 1^\circ$ in the tilt angle.

Larger DUT's (e.g. notebooks) cannot be tested using this device holder. Instead a support of bigger polystyrene cubes and thin polystyrene plates is used to position the DUT in all relevant positions to find and measure spots with maximum SAR values.

Therefore those devices are normally only tested at the flat part of the SAM.

2.7 Test Equipment List

This table gives a complete overview of the SAR measurement equipment.

Devices used during the test described are marked

	Manufacturer	Device	Type	Serial number	Date of last calibration	Valid period
<input type="checkbox"/>	SPEAG	Dosimetric E-Field Probe	EX3DV4	3744	2013-07-26	One year
<input type="checkbox"/>	SPEAG	Dosimetric E-Field Probe	EX3DV4	3736	2013-05-10	One year
<input checked="" type="checkbox"/>	SPEAG	Dosimetric E-Field Probe	ES3DV3	3168	2013-09-30	One year
<input checked="" type="checkbox"/>	SPEAG	835 MHz Dipole	D835V2	4d059	2013-05-02	Three years
<input checked="" type="checkbox"/>	SPEAG	1800 MHz Dipole	D1800V2	2d157	2013-11-27	Three years
<input checked="" type="checkbox"/>	SPEAG	1900 MHz Dipole	D1900V2	5d143	2011-09-26	Three years
<input type="checkbox"/>	SPEAG	2000 MHz Dipole	D2000V2	1052	2011-03-10	Three years
<input type="checkbox"/>	SPEAG	2300 MHz Dipole	D2300V2	1016	2011-11-22	Three years
<input checked="" type="checkbox"/>	SPEAG	2450 MHz Dipole	D2450V2	860	2014-01-23	Three years
<input checked="" type="checkbox"/>	SPEAG	2600 MHz Dipole	D2600V2	1021	2011-11-22	Three years
<input type="checkbox"/>	SPEAG	5GHz Dipole	D5GHzV2	1155	2013-06-04	Three years
<input type="checkbox"/>	SPEAG	Data acquisition electronics	DAE4	851	2013-07-31	One year
<input checked="" type="checkbox"/>	SPEAG	Data acquisition electronics	DAE4	852	2013-11-27	One year
<input type="checkbox"/>	SPEAG	Data acquisition electronics	DAE4	1236	2013-11-25	One year
<input checked="" type="checkbox"/>	SPEAG	Software	DASY 5	N/A	NCR	NCR
<input checked="" type="checkbox"/>	SPEAG	Twin Phantom	SAM1	TP-1475	NCR	NCR
<input checked="" type="checkbox"/>	SPEAG	Twin Phantom	SAM2	TP-1474	NCR	NCR
<input type="checkbox"/>	SPEAG	Twin Phantom	SAM3	TP-1597	NCR	NCR
<input type="checkbox"/>	SPEAG	Twin Phantom	SAM4	TP-1620	NCR	NCR
<input type="checkbox"/>	SPEAG	Flat Phantom	ELI 4.0	TP-1038	NCR	NCR
<input type="checkbox"/>	SPEAG	Flat Phantom	ELI 4.0	TP-1111	NCR	NCR
<input checked="" type="checkbox"/>	R & S	Universal Radio Communication Tester	CMU 200	111379	2013-08-09	One year
<input checked="" type="checkbox"/>	R & S	Universal Radio Communication Tester	CMW 500	126855	2013-08-10	Two years
<input checked="" type="checkbox"/>	Agilent	Network Analyser	E5071B	MY42404956	2014-01-11	One year
<input checked="" type="checkbox"/>	Agilent	Dielectric Probe Kit	85070E	2484	NCR	NCR
<input checked="" type="checkbox"/>	Agilent	Signal Generator	N5181A	MY47420989	2014-01-18	One year
<input checked="" type="checkbox"/>	MINI-CIRCUITS	Amplifier	ZHL-42W	QA1123001	NCR	NCR
<input type="checkbox"/>	MINI-CIRCUITS	Amplifier	ZVE-8G+	129601322	NCR	NCR
<input checked="" type="checkbox"/>	AR	Directional Coupler	DC7144M1	311190	2013-05-13	One year
<input type="checkbox"/>	SHX	Directional Coupler	DDTO/4/20	07122401	2013-10-17	One year
<input checked="" type="checkbox"/>	R & S	Power Meter	NRP	MY44420359	2013-08-28	One year
<input checked="" type="checkbox"/>	R & S	Power Meter Sensor	NRP-Z11	100740	2013-08-28	One year
<input checked="" type="checkbox"/>	Agilent	Power Meter	E4417A	MY45101339	2014-01-18	One year
<input checked="" type="checkbox"/>	Agilent	Power Meter Sensor	E9321A	MY44420359	2014-01-18	One year

Note:

1) Per KDB865664D01 requirements for dipole calibration, the test laboratory has adopted three-year extended calibration interval. Each measured dipole is expected to evaluate with the following criteria at least on annual interval in Appendix C.

- a) There is no physical damage on the dipole;
- b) System check with specific dipole is within 10% of calibrated value;
- c) The most recent return-loss result, measured at least annually, deviates by no more than 20% from the previous measurement.
- d) The most recent measurement of the real or imaginary parts of the impedance, measured at least annually is within 5Ω from the previous measurement.

2) Network analyzer probe calibration against air, distilled water and a shorting block performed before measuring liquid parameters.

3 SAR Measurement Procedure

3.1 Scanning procedure

The DASY5 installation includes predefined files with recommended procedures for measurements and system check. They are read-only document files and destined as fully defined but unmeasured masks. All test positions (head or body-worn) are tested with the same configuration of test steps differing only in the grid definition for the different test positions.

- The “reference” and “drift” measurements are located at the beginning and end of the batch process. They measure the field drift at one single point in the liquid over the complete procedure. The indicated drift is mainly the variation of the DUT’s output power and should vary max. +/- 5 %.
- The “surface check” measurement tests the optical surface detection system of the DASY5 system by repeatedly detecting the surface with the optical and mechanical surface detector and comparing the results. The output gives the detecting heights of both systems, the difference between the two systems and the standard deviation of the detection repeatability. Air bubbles or refraction in the liquid due to separation of the sugar-water mixture gives poor repeatability (above $\pm 0.1\text{mm}$). To prevent wrong results tests are only executed when the liquid is free of air bubbles. The difference between the optical surface detection and the actual surface depends on the probe and is specified with each probe. (It does not depend on the surface reflectivity or the probe angle to the surface within $\pm 30^\circ$.)
- The “area scan” measures the SAR above the DUT or verification dipole on a parallel plane to the surface. It is used to locate the approximate location of the peak SAR with 2D spline interpolation. The robot performs a stepped movement along one grid axis while the local electrical field strength is measured by the probe. The probe is touching the surface of the SAM during acquisition of measurement values. The standard scan uses large grid spacing for faster measurement. Standard grid spacing for head measurements is 15 mm in x- and y- dimension ($\leq 2\text{GHz}$), 12 mm in x- and y- dimension (2-4 GHz) and 10mm in x- and y- dimension (4-6GHz). If a finer resolution is needed, the grid spacing can be reduced. Grid spacing and orientation have no influence on the SAR result. For special applications where the standard scan method does not find the peak SAR within the grid, e.g. mobile phones with flip cover, the grid can be adapted in orientation. Results of this coarse scan are shown in Appendix B.
- A “zoom scan” measures the field in a volume around the 2D peak SAR value acquired in the previous “coarse” scan. This is a fine grid with maximum scan spatial resolution: $\Delta x_{\text{zoom}}, \Delta y_{\text{zoom}} \leq 2\text{GHz} - \leq 8\text{mm}$, 2-4GHz - $\leq 5\text{ mm}$ and 4-6 GHz- $\leq 4\text{mm}$; $\Delta z_{\text{zoom}} \leq 3\text{GHz} - \leq 5\text{ mm}$, 3-4 GHz- $\leq 4\text{mm}$ and 4-6GHz- $\leq 2\text{mm}$ where the robot additionally moves the probe along the z-axis away from the bottom of the Phantom. DASY is also able to perform repeated zoom scans if more than 1 peak is found during area scan. In this document, the evaluated peak 1g and 10g averaged SAR values are shown in the 2D-graphics in Appendix B. Test results relevant for the specified standard (see chapter 1.4.) are shown in table form form in chapter 7.2.
- A Z-axis scan measures the total SAR value at the x-and y-position of the maximum SAR value found during the cube scan. The probe is moved away in z-direction from the bottom of the SAM phantom in 2 mm steps. This measurement shows the continuity of the liquid and can - depending in the field strength – also show the liquid depth. A z-axis scan of the measurement with maximum SAR value is shown in Appendix B.

The following table summarizes the area scan and zoom scan resolutions per FCC KDB 865664D01:

Frequency	Maximun Area Scan resolution ($\Delta x_{area}, \Delta y_{area}$)	Maximun Zoom Scan spatial resolution ($\Delta x_{Zoom}, \Delta y_{Zoom}$)	Maximun Zoom Scan spatial resolution			Minimum zoom scan volume (x,y,z)
			Uniform Grid	Graded Grad		
			$\Delta z_{Zoom}(n)$	$\Delta z_{Zoom}(1)^*$	$\Delta z_{Zoom}(n>1)^*$	
≤ 2 GHz	≤ 15 mm	≤ 8 mm	≤ 5 mm	≤ 4 mm	$\leq 1.5^* \Delta z_{Zoom}(n-1)$	≥ 30 mm
2-3GHz	≤ 12 mm	≤ 5 mm	≤ 5 mm	≤ 4 mm	$\leq 1.5^* \Delta z_{Zoom}(n-1)$	≥ 30 mm
3-4GHz	≤ 12 mm	≤ 5 mm	≤ 4 mm	≤ 3 mm	$\leq 1.5^* \Delta z_{Zoom}(n-1)$	≥ 28 mm
4-5GHz	≤ 10 mm	≤ 4 mm	≤ 3 mm	≤ 2.5 mm	$\leq 1.5^* \Delta z_{Zoom}(n-1)$	≥ 25 mm
5-6GHz	≤ 10 mm	≤ 4 mm	≤ 2 mm	≤ 2 mm	$\leq 1.5^* \Delta z_{Zoom}(n-1)$	≥ 22 mm

3.2 Spatial Peak SAR Evaluation

The spatial peak SAR - value for 1 and 10 g is evaluated after the Cube measurements have been done. The basis of the evaluation are the SAR values measured at the points of the fine cube grid consisting of 5 x 5 x 7 points(with 8mm horizontal resolution) or 7 x 7 x 7 points(with 5mm horizontal resolution) or 8 x 8 x 7 points(with 4mm horizontal resolution). The algorithm that finds the maximal averaged volume is separated into three different stages.

- The data between the dipole center of the probe and the surface of the phantom are extrapolated. This data cannot be measured since the center of the dipole is 2.7 mm away from the tip of the probe and the distance between the surface and the lowest measuring point is about 1 mm (see probe calibration sheet). The extrapolated data from a cube measurement can be visualized by selecting 'Graph Evaluated'.
- The maximum interpolated value is searched with a straight-forward algorithm. Around this maximum the SAR - values averaged over the spatial volumes (1g or 10 g) are computed using the 3d-spline interpolation algorithm. If the volume cannot be evaluated (i.e., if a part of the grid was cut off by the boundary of the measurement area) the evaluation will be started on the corners of the bottom plane of the cube.
- All neighboring volumes are evaluated until no neighboring volume with a higher average value is found.

Extrapolation

The extrapolation is based on a least square algorithm [W. Gander, Computermathematik, p.168-180]. Through the points in the first 3 cm along the z-axis, polynomials of order four are calculated. These polynomials are then used to evaluate the points between the surface and the probe tip. The points, calculated from the surface, have a distance of 1 mm from each other.

Interpolation

The interpolation of the points is done with a 3d-Spline. The 3d-Spline is composed of three one-dimensional splines with the "Not a knot"-condition [W. Gander, Computermathematik, p.141-150] (x, y and z -direction) [Numerical Recipes in C, Second Edition, p.123ff].

Volume Averaging

At First the size of the cube is calculated. Then the volume is integrated with the trapezoidal algorithm. 8000 points (20x20x20) are interpolated to calculate the average.

Advanced Extrapolation

DASY5 uses the advanced extrapolation option which is able to compensates boundary effects on E-field probes.

3.3 Data Storage and Evaluation

Data Storage

The DASY5 software stores the acquired data from the data acquisition electronics as raw data (in microvolt readings from the probe sensors), together with all necessary software parameters for the data evaluation (probe calibration data, liquid parameters and device frequency and modulation data) in measurement files with the extension "DAE4". The software evaluates the desired unit and format for output each time the data is visualized or exported. This allows verification of the complete software setup even after the measurement and allows correction of incorrect parameter settings. For example, if a measurement has been performed with a wrong crest factor parameter in the device setup, the parameter can be corrected afterwards and the data can be re-evaluated.

The measured data can be visualized or exported in different units or formats, depending on the selected probe type ([V/m], [A/m], [°C], [mW/g], [mW/cm²], [dBrel], etc.). Some of these units are not available in certain situations or show meaningless results, e.g., a SAR output in a lossless media will always be zero. Raw data can also be exported to perform the evaluation with other software packages.

Data Evaluation by SEMCAD

The SEMCAD software automatically executes the following procedures to calculate the field units from the microvolt readings at the probe connector. The parameters used in the evaluation are stored in the configuration modules of the software:

Probe parameters:	- Sensitivity	Norm _i , a ₁₀ , a ₁₁ , a ₁₂
	- Conversion factor	ConvF _i
	- Diode compression point	Dcpi
Device parameters:	- Frequency	f
	- Crest factor	cf
Media parameters:	- Conductivity	σ
	- Density	ρ

These parameters must be set correctly in the software. They can be found in the component documents or they can be imported into the software from the configuration files issued for the DASY5 components. In the direct measuring mode of the multimeter option, the parameters of the actual system setup are used. In the scan visualization and export modes, the parameters stored in the corresponding document files are used.

The first step of the evaluation is a linearization of the filtered input signal to account for the compression characteristics of the detector diode. The compensation depends on the input signal, the diode type and the DC-transmission factor from the diode to the evaluation electronics.

If the exciting field is pulsed, the crest factor of the signal must be known to correctly compensate for peak power. The formula for each channel can be given as:

$$V_i = U_i + U_i^2 \cdot cf/dcp_i$$

with	V _i	= compensated signal of channel i	(i = x, y, z)
	U _i	= input signal of channel i	(i = x, y, z)
	cf	= crest factor of exciting field (DASY parameter)	
	dcp _i	= diode compression point	(DASY parameter)

From the compensated input signals the primary field data for each channel can be evaluated:

E-field probes: $E_i = (V_i / Norm_i \cdot ConvF)^{1/2}$
 H-field probes: $H_i = (V_i)^{1/2} \cdot (a_{i0} + a_{i1}f + a_{i2}f^2)/f$

with V_i = compensated signal of channel i (i = x, y, z)
 $Norm_i$ = sensor sensitivity of channel i (i = x, y, z)
 [mV/(V/m)²] for E-field Probes
 ConvF = sensitivity enhancement in solution
 a_{ij} = sensor sensitivity factors for H-field probes
 f = carrier frequency [GHz]
 E_i = electric field strength of channel i in V/m
 H_i = magnetic field strength of channel i in A/m

The RSS value of the field components gives the total field strength (Hermitian magnitude):

$$E_{tot} = (E_x^2 + E_y^2 + E_z^2)^{1/2}$$

The primary field data are used to calculate the derived field units.

$$SAR = (E_{tot}^2 \cdot \sigma) / (\rho \cdot 1000)$$

with SAR = local specific absorption rate in mW/g
 E_{tot} = total field strength in V/m
 σ = conductivity in [mho/m] or [Siemens/m]
 ρ = equivalent tissue density in g/cm³

Note that the density is normally set to 1 (or 1.06), to account for actual brain density rather than the density of the simulation liquid. The power flow density is calculated assuming the excitation field to be a free space field.

$$P_{pwe} = E_{tot}^2 / 3770 \quad \text{or} \quad P_{pwe} = H_{tot}^2 \cdot 37.7$$

with P_{pwe} = equivalent power density of a plane wave in mW/cm²
 E_{tot} = total electric field strength in V/m
 H_{tot} = total magnetic field strength in A/m

4 System Verification Procedure

4.1 Tissue Verification

The simulating liquids should be checked at the beginning of a series of SAR measurements to determine if the dielectric parameters are within the tolerances of the specified target values. The measured conductivity and relative permittivity should be within $\pm 5\%$ of the target values.

The following materials are used for producing the tissue-equivalent materials.

Ingredients (% of weight)	Head Tissue					
Frequency Band (MHz)	450	835	1800	1900	2450	2600
Water	38.56	41.45	52.64	55.242	62.7	55.242
Salt (NaCl)	3.95	1.45	0.36	0.306	0.5	0.306
Sugar	56.32	56.0	0.0	0.0	0.0	0.0
HEC	0.98	1.0	0.0	0.0	0.0	0.0
Bactericide	0.19	0.1	0.0	0.0	0.0	0.0
Triton X-100	0.0	0.0	0.0	0.0	0.0	0.0
DGBE	0.0	0.0	47.0	44.542	36.8	44.452
Ingredients (% of weight)	Body Tissue					
Frequency Band (MHz)	450	835	1800	1900	2450	2600
Water	51.16	52.4	69.91	69.91	73.2	64.493
Salt (NaCl)	1.49	1.40	0.13	0.13	0.04	0.024
Sugar	46.78	45.0	0.0	0.0	0.0	0.0
HEC	0.52	1.0	0.0	0.0	0.0	0.0
Bactericide	0.05	0.1	0.0	0.0	0.0	0.0
Triton X-100	0.0	0.0	0.0	0.0	0.0	0.0
DGBE	0.0	0.0	29.96	29.96	26.7	32.252

Table 4: Tissue Dielectric Properties

Salt: 99+% Pure Sodium Chloride; Sugar: 98+% Pure Sucrose; Water: De-ionized, 16M Ω + resistivity
 HEC: Hydroxyethyl Cellulose; DGBE: 99+% Di(ethylene glycol) butyl ether, [2-(2-butoxyethoxy)ethanol]
 Triton X-100(ultra pure): Polyethylene glycol mono [4-(1,1,3,3-tetramethylbutyl)phenyl]ether

Tissue Type	Measured Frequency (MHz)	Target Tissue		Measured Tissue		Liquid Temp.	Test Date
		ϵ_r (+/-5%)	σ (S/m) (+/-5%)	ϵ_r	σ (S/m)		
835H	825	41.60 (39.52~43.68)	0.90 (0.86~0.95)	42.91	0.929	21.9°C	2014-02-24
	835	41.50 (39.43~43.58)	0.90 (0.86~0.95)	42.31	0.936		
	850	41.50 (39.43~43.58)	0.92 (0.87~0.96)	42.55	0.940		
835B	825	55.20 (52.44~57.96)	0.97 (0.92~1.02)	53.61	0.952	21.8°C	2014-02-23
	835	55.20 (52.44~57.96)	0.97 (0.92~1.02)	53.46	0.958		
	850	55.20 (52.44~57.96)	0.99 (0.94~1.04)	53.35	0.979		
835B	825	55.20 (52.44~57.96)	0.97 (0.92~1.02)	53.14	0.954	21.8°C	2014-03-01
	835	55.20 (52.44~57.96)	0.97 (0.92~1.02)	52.90	0.966		
	850	55.20 (52.44~57.96)	0.99 (0.94~1.04)	53.03	0.971		



1800H	1710	40.1 (38.10~42.11)	1.35 (1.28~1.42)	41.12	1.305	21.3°C	2014-03-04
	1730	40.1 (38.10~42.11)	1.36 (1.29~1.43)	41.10	1.306		
	1750	40.1 (38.10~42.11)	1.37 (1.30~1.44)	41.10	1.347		
	1800	40.0 (38.00~42.00)	1.40 (1.33~1.47)	40.82	1.393		
1800H	1710	40.1 (38.10~42.11)	1.35 (1.28~1.42)	41.58	1.296	21.7°C	2014-03-16
	1730	40.1 (38.10~42.11)	1.36 (1.29~1.43)	41.59	1.337		
	1750	40.1 (38.10~42.11)	1.37 (1.30~1.44)	41.41	1.354		
	1800	40.0 (38.00~42.00)	1.40 (1.33~1.47)	41.32	1.408		
1800B	1710	53.5 (50.83~56.18)	1.46 (1.39~1.53)	51.61	1.444	21.3°C	2014-03-02
	1730	53.5 (50.83~56.18)	1.48 (1.41~1.55)	51.61	1.453		
	1750	53.4 (50.73~56.07)	1.49 (1.42~1.56)	51.44	1.447		
	1800	53.3 (50.64~55.97)	1.52 (1.44~1.60)	51.35	1.520		
1800B	1710	53.5 (50.83~56.18)	1.46 (1.39~1.53)	51.52	1.490	21.3°C	2014-03-17
	1730	53.5 (50.83~56.18)	1.48 (1.41~1.55)	51.20	1.526		
	1750	53.4 (50.73~56.07)	1.49 (1.42~1.56)	51.00	1.531		
	1800	53.3 (50.64~55.97)	1.52 (1.44~1.60)	51.10	1.563		
1900H	1850	40.00 (38.00~42.00)	1.40 (1.33~1.47)	40.72	1.367	21.4°C	2014-02-26
	1880	40.00 (38.00~42.00)	1.40 (1.33~1.47)	40.51	1.396		
	1900	40.00 (38.00~42.00)	1.40 (1.33~1.47)	40.54	1.413		
	1910	40.00 (38.00~42.00)	1.40 (1.33~1.47)	40.45	1.422		
1900H	1850	40.00 (38.00~42.00)	1.40 (1.33~1.47)	40.72	1.367	21.5°C	2014-03-11
	1880	40.00 (38.00~42.00)	1.40 (1.33~1.47)	40.51	1.396		
	1900	40.00 (38.00~42.00)	1.40 (1.33~1.47)	40.54	1.413		
	1910	40.00 (38.00~42.00)	1.40 (1.33~1.47)	40.45	1.422		
1900H	1850	40.00 (38.00~42.00)	1.40 (1.33~1.47)	40.95	1.378	21.3°C	2014-03-22
	1880	40.00 (38.00~42.00)	1.40 (1.33~1.47)	40.75	1.407		
	1900	40.00 (38.00~42.00)	1.40 (1.33~1.47)	40.71	1.423		
	1910	40.00 (38.00~42.00)	1.40 (1.33~1.47)	40.68	1.433		

1900B	1850	53.30 (50.64~55.97)	1.52 (1.44~1.60)	50.94	1.442	21.3°C	2014-02-27
	1880	53.30 (50.64~55.97)	1.52 (1.44~1.60)	50.91	1.467		
	1900	53.30 (50.64~55.97)	1.52 (1.44~1.60)	50.82	1.490		
	1910	53.30 (50.64~55.97)	1.52 (1.44~1.60)	50.78	1.493		
1900B	1850	53.30 (50.64~55.97)	1.52 (1.44~1.60)	50.94	1.442	21.3°C	2014-02-28
	1880	53.30 (50.64~55.97)	1.52 (1.44~1.60)	50.91	1.467		
	1900	53.30 (50.64~55.97)	1.52 (1.44~1.60)	50.82	1.490		
	1910	53.30 (50.64~55.97)	1.52 (1.44~1.60)	50.78	1.493		
1900B	1850	53.30 (50.64~55.97)	1.52 (1.44~1.60)	52.86	1.476	21.3°C	2014-03-21
	1880	53.30 (50.64~55.97)	1.52 (1.44~1.60)	52.71	1.496		
	1900	53.30 (50.64~55.97)	1.52 (1.44~1.60)	52.73	1.524		
	1910	53.30 (50.64~55.97)	1.52 (1.44~1.60)	52.72	1.537		
2450H	2410	39.30 (37.34~41.26)	1.76 (1.67~1.85)	38.95	1.782	21.5°C	2014-03-06
	2435	39.20 (37.24~41.16)	1.79 (1.70~1.88)	38.98	1.827		
	2450	39.20 (37.24~41.16)	1.80 (1.71~1.89)	38.86	1.823		
	2460	39.20 (37.24~41.16)	1.81 (1.72~1.90)	38.79	1.840		
2450B	2410	52.80 (50.16~55.44)	1.91 (1.81~2.00)	51.87	1.996	21.3°C	2014-03-05
	2435	52.70 (50.07~55.34)	1.94 (1.84~2.04)	51.62	2.010		
	2450	52.70 (50.07~55.34)	1.95 (1.85~2.05)	51.70	2.028		
	2460	52.70 (50.07~55.34)	1.96 (1.86~2.06)	51.71	2.052		
2600H	2510	39.12 (37.16~41.01)	1.86 (1.77~1.96)	38.57	1.950	21.4°C	2014-03-07
	2535	39.1 (37.13~41.04)	1.89 (1.80~1.98)	38.50	1.978		
	2560	39 (37.05~40.95)	1.80 (1.82~2.01)	38.42	2.005		
	2600	39 (37.05~40.95)	1.96 (1.86~2.05)	38.27	2.048		
2600B	2510	52.62 (49.99~55.25)	2.03 (1.93~2.13)	51.19	2.081	21.4°C	2014-03-14
	2535	52.59 (49.96~55.22)	2.07 (1.97~2.17)	51.25	2.089		
	2560	52.57 (49.94~55.20)	2.09 (1.99~2.19)	51.06	2.140		
	2600	52.5 (49.88~55.13)	2.16 (2.05~2.27)	50.97	2.181		

ϵ_r = Relative permittivity, σ = Conductivity

Table 5: Measured Tissue Parameter

Note: 1) The dielectric parameters of the tissue-equivalent liquid should be measured under similar ambient conditions and within 2 °C of the conditions expected during the SAR evaluation to satisfy protocol requirements.

2) KDB 865664 was ensured to be applied for probe calibration frequencies greater than or equal to 50MHz of the EUT frequencies.

3) The above measured tissue parameters were used in the DASY software to perform interpolation via the DASY software to determine actual dielectric parameters at the test frequencies. The SAR test plots may slightly differ from the table above since the DASY rounds to three significant digits.

4.2 System Check

The system check is performed for verifying the accuracy of the complete measurement system and performance of the software. The system check is performed with tissue equivalent material according to IEEE P1528 (described above). The following table shows system check results for all frequency bands and tissue liquids used during the tests(Graphic Plot(s) see Appendix A).

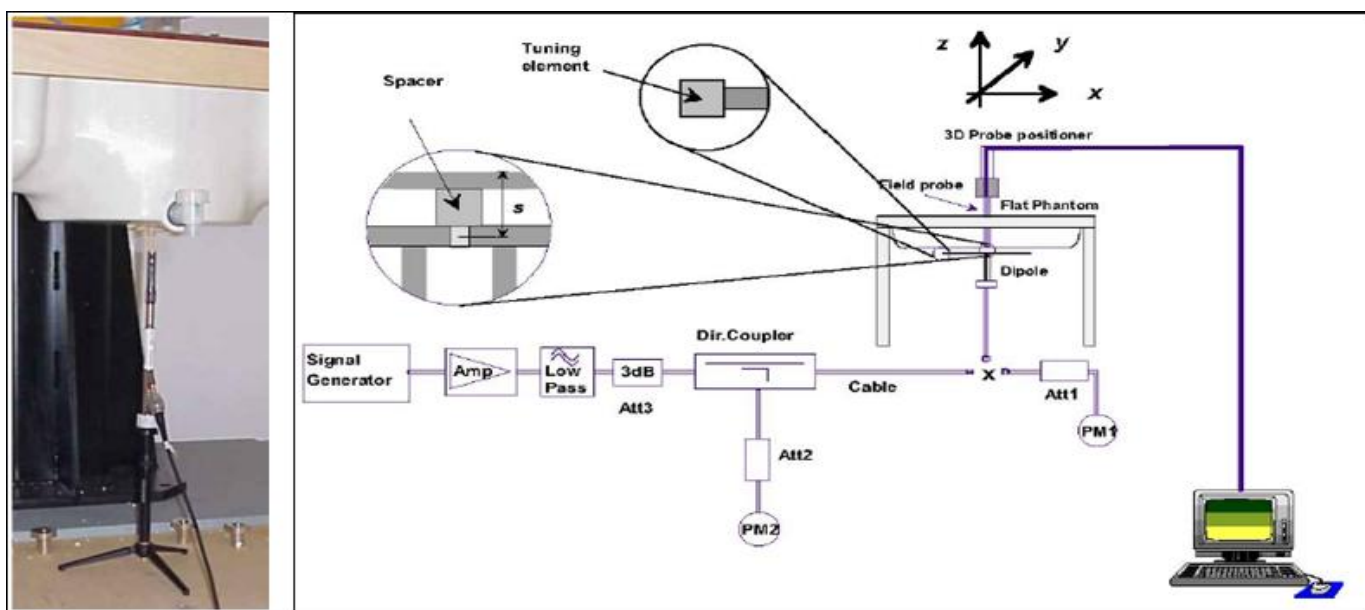
System Check	Target SAR (1W) (+/-10%)		Measured SAR (Normalized to 1W)		Liquid Temp.	Test Date
	1-g (mW/g)	10-g (mW/g)	1-g (mW/g)	10-g (mW/g)		
D835V2 Head	9.49 (8.54~10.44)	6.18 (5.56~6.80)	9.64	6.24	21.9°C	2014-02-24
D1800V2 Head	39.0 (35.1~42.9)	20.4 (18.36~22.44)	37.28	19.44	21.3°C	2014-03-04
D1800V2 Head	39.0 (35.1~42.9)	20.4 (18.36~22.44)	37.92	19.76	21.7°C	2014-03-16
D1900V2 Head	40.60 (36.54~44.66)	21.20 (19.08~23.32)	40.40	21.12	21.4°C	2014-02-26
D1900V2 Head	40.60 (36.54~44.66)	21.20 (19.08~23.32)	39.92	20.96	21.5°C	2014-03-11
D1900V2 Head	40.60 (36.54~44.66)	21.20 (19.08~23.32)	39.28	20.48	21.3°C	2014-03-22
D2450V2 Head	52.60 (47.34~57.86)	24.50 (22.05~26.95)	55.60	25.28	21.5°C	2014-03-06
D2600V2 Head	58.8 (52.92~64.68)	26.4 (23.76~29.04)	60.00	26.32	21.4°C	2014-03-07
D835V2 Body	9.42 (8.48~10.36)	6.19 (5.57~6.80)	9.72	6.40	21.8°C	2014-02-23
D835V2 Body	9.42 (8.48~10.36)	6.19 (5.57~6.80)	9.68	6.36	21.8°C	2014-03-01
D1800V2 Body	39.0 (35.1~42.9)	20.6 (18.54~22.66)	37.96	19.80	21.3°C	2014-03-02
D1800V2 Body	39.0 (35.1~42.9)	20.6 (18.54~22.66)	40.40	21.04	21.3°C	2014-03-17
D1900V2 Body	41.40 (37.26~45.54)	21.80 (19.62~23.98)	39.64	20.52	21.3°C	2014-02-27
D1900V2 Body	41.40 (37.26~45.54)	21.80 (19.62~23.98)	39.76	20.56	21.3°C	2014-02-28
D1900V2 Body	41.40 (37.26~45.54)	21.80 (19.62~23.98)	40.40	21.44	21.3°C	2014-03-21
D2450V2 Body	50.6 (45.54~55.66)	23.7 (21.33~26.07)	54.80	25.16	21.3°C	2014-03-05
D2600V2 Body	55.6 (50.04~61.16)	24.9 (22.41~27.39)	58.00	25.16	21.4°C	2014-03-14

Table 6: System Check Results

4.3 System check Procedure

The system check is performed by using a system check dipole which is positioned parallel to the planar part of the SAM phantom at the reference point. The distance of the dipole to the SAM phantom is determined by a plexiglass spacer. The dipole is connected to the signal source consisting of signal generator and amplifier via a directional coupler, N-connector cable and adaption to SMA. It is fed with a power of 250 mW(below 5GHz) or 100mW(above 5GHz). To adjust this power a power meter is used. The power sensor is connected to the cable before the system check to measure the power at this point and do adjustments at the signal generator. At the outputs of the directional coupler both return loss as well as forward power are controlled during the system check to make sure that emitted power at the dipole is kept constant. This can also be checked by the power drift measurement after the test (result on plot).

System check results have to be equal or near the values determined during dipole calibration (target SAR in table above) with the relevant liquids and test system.



5 SAR measurement variability and uncertainty

5.1 SAR measurement variability

Per KDB865664 D01 SAR measurement 100 MHz to 6 GHz v01r03, SAR measurement variability must be assessed for each frequency band, which is determined by the SAR probe calibration point and tissue-equivalent medium used for the device measurements. The additional measurements are repeated after the completion of all measurements requiring the same head or body tissue-equivalent medium in a frequency band. The test device should be returned to ambient conditions (normal room temperature) with the battery fully charged before it is re-mounted on the device holder for the repeated measurement(s) to minimize any unexpected variations in the repeated results.

- 1) Repeated measurement is not required when the original highest measured SAR is < 0.80 W/kg; steps 2) through 4) do not apply.
- 2) When the original highest measured SAR is ≥ 0.80 W/kg, repeat that measurement once.
- 3) Perform a second repeated measurement only if the ratio of largest to smallest SAR for the original and first repeated measurements is > 1.20 or when the original or repeated measurement is ≥ 1.45 W/kg (~ 10% from the 1-g SAR limit).
- 4) Perform a third repeated measurement only if the original, first or second repeated measurement is ≥ 1.5 W/kg and the ratio of largest to smallest SAR for the original, first and second repeated measurements is > 1.20 .

The same procedures should be adapted for measurements according to extremity and occupational exposure limits by applying a factor of 2.5 for extremity exposure and a factor of 5 for occupational exposure to the corresponding SAR thresholds.

The detailed repeated measurement results are shown in Section 7.2.

5.2 SAR measurement uncertainty

Per KDB865664 D01 SAR Measurement 100 MHz to 6 GHz v01r03, when the highest measured 1-g SAR within a frequency band is < 1.5 W/kg, the extensive SAR measurement uncertainty analysis described in IEEE Std 1528-2003 is not required in SAR reports submitted for equipment approval. The equivalent ratio (1.5/1.6) is applied to extremity and occupational exposure conditions.

6 SAR Test Configuration

6.1 GSM Test Configuration

SAR tests for GSM850 and GSM1900, a communication link is set up with a base station by air link. Using CMU200 the power lever is set to “5”and “0” in SAR of GSM850 and GSM1900. The tests in the band of GSM850 and GSM1900 are performed in the mode of GPRS/EGPRS function. Since the GPRS class is 12 for this EUT, it has at most 4 timeslots in uplink and at most 4 timeslots in downlink, the maximum total timeslot is 5. The EGPRS class is 12 for this EUT, it has at most 4 timeslots in uplink, and at most 4 timeslots in downlink, the maximum total timeslot is 5.

When SAR tests for EGPRS mode is necessary, GMSK modulation should be used to minimize SAR measurement error due to higher peak-to-average power (PAR) ratios inherent in 8-PSK.

According to specification 3GPP TS 51.010, the maximum power of the GSM can do the power reduction for the multi-slot.

The allowed power reduction in the multi-slot configuration is as following:

Number of timeslots in uplink assignment		Reduction of maximum output power (dB)		
Band	Time Slots	GPRS (GMSK)	EGPRS (GMSK)	EGPRS (8PSK)
GSM850	1 TX slot	0	0	0
	2 TX slots	3	3	0
	3 TX slots	5	5	2.5
	4 TX slots	6	6	3.5
GSM1900	1 TX slot	0	0	0
	2 TX slots	3	3	0
	3 TX slots	5	5	3
	4 TX slots	6	6	4

Table 7: The allowed power reduction in the multi-slot configuration of GSM

6.2 UMTS Test Configuration

1) Output Power Verification

Maximum output power is verified on the High, Middle and Low channels according to the procedures description in section 5.2 of 3GPP TS 34.121,using the appropriate RMC or AMR with TPC(transmit power control) set to all “1s” for WCDMA/HSDPA or applying the required inner loop power control procedure to maintain maximum output power while HSUPA is active. Result for all applicable physical channel configurations(DPCCH,DPDCHn and spreading codes, HSDPA, HSPA)

Should be tabulated in the SAR report .All configuration that are not supported by the DUT or cannot be measured due to technical or equipment limitation should be clearly identified.

2) WCDMA

a. Head SAR Measurements

SAR for Head exposure configurations in voice mode is measured using a 12.2 kbps RMC with TPC bits configured to all “1s”. SAR in AMR configurations is not required when the maximum average output of

each RF channel for 12.2 kbps AMR is less than ¼ dB higher than that measured in 12.2 kbps RMC. Otherwise SAR is measured on the maximum output channel in 12.2 kbps AMR with 3.4kbps SRB(signalling radio bearer) using the exposure configuration that results in the highest SAR in 12.2kbps RMC for that RF channel.

b. Body SAR Measurements

SAR for body exposure configurations is measured using the 12.2 kbps RMC with the TPC bits configured to all “1s”. SAR for other spreading codes and multiple DPDCHn, when supported by the EUT, are not required when the maximum average outputs of each RF channel, for each spreading code and DPDCHn configuration, are less than ¼ dB higher than those measured in 12.2 kbps RMC.

3) HSDPA

SAR for body exposure configurations is measured according to the “Body SAR Measurements” procedures of 3G device. In addition, body SAR is also measured for HSDPA when the maximum average outputs of each RF channel with HSDPA active is at ¼ dB higher than that measured without HSDPA using 12.2kbps RMC or the maximum SAR 12.2kbps RMC is above 75% of the SAR limit. Body SAR for HSDPA is measured using an FRC with H-Set 1 in Sub-test 1 and a 12.2kbps RMC configured in Test Loop Mode 1, using the highest body SAR configuration in 12.2 kbps RMC without HSDPA.

HSDPA should be configured according to UE category of a test device. The number of HS-DSCH/HS-PDSCHs, HARQ processes, minimum inter-TTI interval, transport block sizes and RV coding sequence are defined by the H-set. To maintain a consistent test configuration and stable transmission condition, QPSK is used in the H-set for SAR testing. HS-DPCCH should be configured with a CQI feedback cycle of 4ms with a CQI repetition factor of 2 to maintain a constant rate of active CQI slots. The β_c and β_d gain factors for DPCCH and DPDCH were set according to the values in the below table, β_{hs} for HS-DPCCH is set automatically to the correct value when $\Delta ACK, \Delta NACK, \Delta CQI = 8$. The variation of the β_c/β_d ratio causes a power reduction at sub-tests 2 - 4.

Sub-test ^o	β_c ^o	β_d ^o	β_d (SF) ^o	β_c/β_d ^o	β_{hs} (1) ^o	CM(dB)(2) ^o	MPR (dB) ^o
1 ^o	2/15 ^o	15/15 ^o	64 ^o	2/15 ^o	4/15 ^o	0.0 ^o	0 ^o
2 ^o	12/15(3) ^o	15/15(3) ^o	64 ^o	12/15(3) ^o	24/15 ^o	1.0 ^o	0 ^o
3 ^o	15/15 ^o	8/15 ^o	64 ^o	15/8 ^o	30/15 ^o	1.5 ^o	0.5 ^o
4 ^o	15/15 ^o	4/15 ^o	64 ^o	15/4 ^o	30/15 ^o	1.5 ^o	0.5 ^o

Note 1: $\Delta ACK, \Delta NACK$ and $\Delta CQI = 8$ $A_{hs} = \beta_{hs}/\beta_c = 30/15$ $\beta_{hs} = 30/15 * \beta_c$ ^o

Note 2 : CM=1 for $\beta_c/\beta_d = 12/15, \beta_{hs}/\beta_c = 24/15$. For all other combinations of DPDCH, DPCCH and HS-DPCCH the MPR is based on the relative CM difference. This is applicable for only UEs that support HSDPA in release 6 and later releases.^o

Note 3 : For subtest 2 the β_c/β_d ratio of 12/15 for the TFC during the measurement period (TF1, TF0) is achieved by setting the signalled gain factors for the reference TFC (TF1, TF1) to $\beta_c = 11/15$ and $\beta_d = 15/15$ ^o

Table 8: Sub-tests for UMTS Release 5 HSDPA

The measurements were performed with a Fixed Reference Channel (FRC) and H-Set 1 QPSK.

Parameter	Value
Nominal average inf. bit rate	534 kbit/s
Inter-TTI Distance	3 TTI's
Number of HARQ Processes	2 Processes
Information Bit Payload	3202 Bits
MAC-d PDU size	336 Bits
Number Code Blocks	1 Block
Binary Channel Bits Per TTI	4800 Bits
Total Available SMLs in UE	19200 SMLs

Number of SMLs per HARQ Process	9600 SMLs
Coding Rate	0.67
Number of Physical Channel Codes	5

Table 9: settings of required H-Set 1 QPSK acc. to 3GPP 34.121

HS-DSCH Category	Maximum HS-DSCH Codes Received	Minimum Inter-TTI Interval	Maximum HS-DSCH Transport Block Bits/HS-DSCH TTI	Total Soft Channel Bits
1	5	3	7298	19200
2	5	3	7298	28800
3	5	2	7298	28800
4	5	2	7298	38400
5	5	1	7298	57600
6	5	1	7298	67200
7	10	1	14411	115200
8	10	1	14411	134400
9	15	1	25251	172800
10	15	1	27952	172800
11	5	2	3630	14400
12	5	1	3630	28800
13	15	1	34800	259200
14	15	1	42196	259200
15	15	1	23370	345600
16	15	1	27952	345600

Table 10: HSDPA UE category

4) HSUPA

Body SAR is also measured for HSDPA when the maximum average outputs of each RF channel with HSDPA active is at ¼ dB higher than that measured without HSDPA using 12.2kbps RMC or the maximum SAR 12.2kbps RMC is above 75% of the SAR limit. Body SAR for HSPA is measured with E-DCH Sub-test 5, using H-set 1 and QPSK for FRC and 12.2kbps RMC configured in Test Loop Mode 1 with power control algorithm 2, according to the highest body SAR configuration in 12.2 kbps RMC without HSPA.

Due to inner loop power control requirements in HSDPA, a commercial communication test set should be used for the output power and SAR tests. The 12.2 kbps RMC, FRC H-set 1 and E-DCH configurations for HSDPA should be configured according to the values indicated below as well as other applicable procedures described in the 'WCDMA Handset' and 'Release 5 HSDPA Data Device' sections of 3G device.

Sub-test [Ⓢ]	β_c [Ⓢ]	β_d [Ⓢ]	β_d (SF) [Ⓢ]	β_c/β_d [Ⓢ]	β_{hs} ⁽¹⁾ [Ⓢ]	β_{ec} [Ⓢ]	β_{ed} [Ⓢ]	β_e ^c [Ⓢ] (SF) [Ⓢ]	β_{ed} ^c [Ⓢ] (code) [Ⓢ]	CM ⁽²⁾ [Ⓢ] (dB) [Ⓢ]	MP R ^c [Ⓢ] (dB) [Ⓢ]	AG ⁽⁴⁾ [Ⓢ] Index [Ⓢ]	E-TFC I ^c [Ⓢ]
1 [Ⓢ]	11/15 ⁽³⁾ [Ⓢ]	15/15 ⁽³⁾ [Ⓢ]	64 [Ⓢ]	11/15 ⁽³⁾ [Ⓢ]	22/15 [Ⓢ]	209/225 [Ⓢ]	1039/225 [Ⓢ]	4 [Ⓢ]	1 [Ⓢ]	1.0 [Ⓢ]	0.0 [Ⓢ]	20 [Ⓢ]	75 [Ⓢ]
2 [Ⓢ]	6/15 [Ⓢ]	15/15 [Ⓢ]	64 [Ⓢ]	6/15 [Ⓢ]	12/15 [Ⓢ]	12/15 [Ⓢ]	94/75 [Ⓢ]	4 [Ⓢ]	1 [Ⓢ]	3.0 [Ⓢ]	2.0 [Ⓢ]	12 [Ⓢ]	67 [Ⓢ]
3 [Ⓢ]	15/15 [Ⓢ]	9/15 [Ⓢ]	64 [Ⓢ]	15/9 [Ⓢ]	30/15 [Ⓢ]	30/15 [Ⓢ]	$\beta_{ed1}:47/15$ [Ⓢ] $\beta_{ed2}:47/15$ [Ⓢ]	4 [Ⓢ]	2 [Ⓢ]	2.0 [Ⓢ]	1.0 [Ⓢ]	15 [Ⓢ]	92 [Ⓢ]
4 [Ⓢ]	2/15 [Ⓢ]	15/15 [Ⓢ]	64 [Ⓢ]	2/15 [Ⓢ]	4/15 [Ⓢ]	2/15 [Ⓢ]	56/75 [Ⓢ]	4 [Ⓢ]	1 [Ⓢ]	3.0 [Ⓢ]	2.0 [Ⓢ]	17 [Ⓢ]	71 [Ⓢ]
5 [Ⓢ]	15/15 ⁽⁴⁾ [Ⓢ]	15/15 ⁽⁴⁾ [Ⓢ]	64 [Ⓢ]	15/15 ⁽⁴⁾ [Ⓢ]	30/15 [Ⓢ]	24/15 [Ⓢ]	134/15 [Ⓢ]	4 [Ⓢ]	1 [Ⓢ]	1.0 [Ⓢ]	0.0 [Ⓢ]	21 [Ⓢ]	81 [Ⓢ]

Note 1: $\Delta ACK, \Delta NACK$ and $\Delta CQI = 8$ $A_{hs} = \beta_{hs}/\beta_c = 30/15$ $\beta_{hs} = 30/15 * \beta_c$
 Note 2: CM = 1 for $\beta_c/\beta_d = 12/15, \beta_{hs}/\beta_c = 24/15$. For all other combinations of DPDCH, DPCCH, HS-DPCCH, E-DPDCH and E-DPCCH the MPR is based on the relative CM difference[Ⓢ]
 Note 3 : For subtest 1 the β_c/β_d ratio of 11/15 for the TFC during the measurement period (TF1, TF0) is achieved by setting the signalled gain factors for the reference TFC (TF1, TF1) to $\beta_c = 10/15$ and $\beta_d = 15/15$ [Ⓢ]
 Note 4 : For subtest 5 the β_c/β_d ratio of 15/15 for the TFC during the measurement period (TF1, TF0) is achieved by setting the signalled gain factors for the reference TFC (TF1, TF1) to $\beta_c = 14/15$ and $\beta_d = 15/15$ [Ⓢ]
 Note 5 : Testing UE using E-DPDCH Physical Layer category 1 Sub-test 3 is not required according to TS 25.306 Table 5.1g[Ⓢ]
 Note 6: β_{ed} can not be set directly; it is set by Absolute Grant Value.[Ⓢ]

Table 11:Subtests for UMTS Release 6 HSUPA

UE E-DCH Category	Maximum E-DCH Codes Transmitted	Number of HARQ Processes	E-DCH TTI(ms)	Minimum Spreading Factor	Maximum E-DCH Transport Block Bits	Max Rate (Mbps)
1	1	4	10	4	7110	0.7296
2	2	8	2	4	2798	1.4592
	2	4	10	4	14484	
3	2	4	10	4	14484	1.4592
4	2	8	2	2	5772	2.9185
	2	4	10	2	20000	2.00
5	2	4	10	2	20000	2.00
6 (No DPDCH)	4	8	10	2SF2&2SF	11484	5.76
	4	4	2	4	20000	2.00
7 (No DPDCH)	4	8	2	2SF2&2SF	22996	?
	4	4	10	4	20000	?

NOTE: When 4 codes are transmitted in parallel, two codes shall be transmitted with SF2 and two with SF4. UE categories 1 to 6 support QPSK only. UE category 7 supports QPSK and 16QAM. (TS25.306-7.3.0).

Table 12:HSUPA UE category

5) DC-HSDPA

In DC-HSDPA implementation of this device, the uplink parameters are the same as HSDPA. No additional channels and modulations (16 QAM, and 64 QAM) are supported in uplink. The difference is only in the downlink parameters, where two carriers are supported. HSDPA settings were used on uplink.

For Rel. 8 DC-HSDPA apply the four subtests from HSDPA Release 5 except use fixed reference channel H-Set 12 for DC-HSDPA. And we can apply the same SAR test exclusion criteria used for Rel. 6 HSPA for Rel. 7 HSPA+ and Rel. 8 DC-HSDPA. That is, if the HSPA, HSPA+, or the DC-HSDPA maximum output is not more than 0.25 dB higher than WCDMA, SAR measurement for those modes is not required.

The following tests were completed according to procedures in section 7.3.13 of 3GPP TS 34.108 v9.5.0. A summary of these settings are illustrated below:

Downlink Physical Channels are set as per 3GPP TS34.121-1 v9.0.0 E.5.0

Table E.5.0: Levels for HSDPA connection setup

Parameter During Connection setup	Unit	Value
P-CPICH_Ec/Ior	dB	-10
P-CCPCH and SCH_Ec/Ior	dB	-12
PICH_Ec/Ior	dB	-15
HS-PDSCH	dB	off
HS-SCCH_1	dB	off
DPCH_Ec/Ior	dB	-5
OCNS_Ec/Ior	dB	-3.1

Call is set up as per 3GPP TS34.108 v9.5.0 sub clause 7.3.13

The configurations of the fixed reference channels for HSDPA RF tests are described in 3GPP TS 34.121, annex C for FDD and 3GPP TS 34.122.

The measurements were performed with a Fixed Reference Channel (FRC) H-Set 12 with QPSK

Parameter	Value
Nominal average inf. bit rate	60 kbit/s
Inter-TTI Distance	1 TTI's
Number of HARQ Processes	6 Processes
Information Bit Payload	120 Bits
Number Code Blocks	1 Block
Binary Channel Bits Per TTI	960 Bits
Total Available SMLs in UE	19200 SMLs
Number of SMLs per HARQ Process	3200 SMLs
Coding Rate	0.15
Number of Physical Channel Codes	1

Table 13: settings of required H-Set 12 QPSK acc. to 3GPP 34.121

Note:

- 1.The RMC is intended to be used for DC-HSDPA mode and both cells shall transmit with identical parameters as listed in the table above.
- 2.Maximum number of transmission is limited to 1,i.e.,retransmission is not allowed. The redundancy and constellation version 0 shall be used.

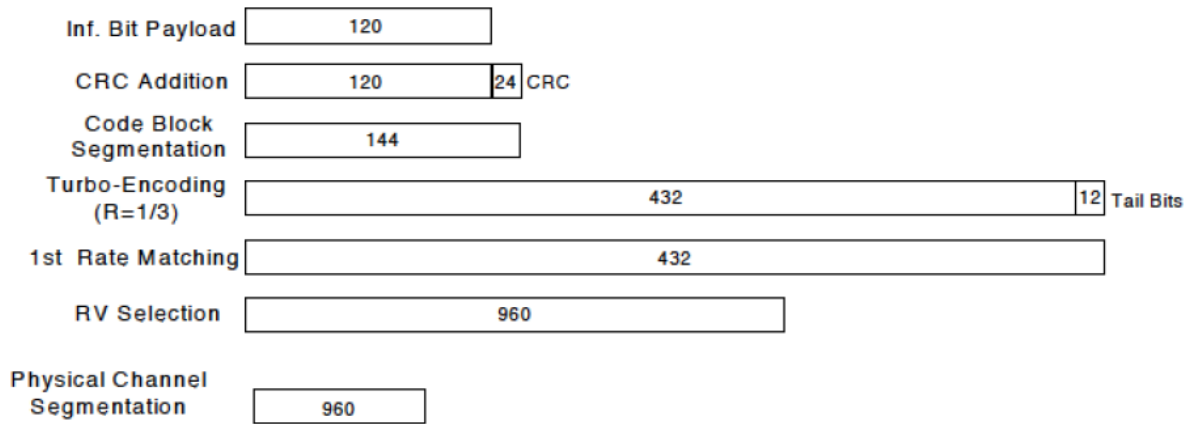


Figure C.8.19: Coding rate for Fixed reference Channel H-Set 12 (QPSK)

The following 4 Sub-tests for HSDPA were completed according to Release 5 procedures. A summary of subtest settings are illustrated below:

Sub-test ^o	β_c ^o	β_d ^o	β_d (SF) ^o	β_c/β_d ^o	$\beta_{hs}(1)$ ^o	CM(dB)(2) ^o	MPR (dB) ^o
1 ^o	2/15 ^o	15/15 ^o	64 ^o	2/15 ^o	4/15 ^o	0.0 ^o	0 ^o
2 ^o	12/15(3) ^o	15/15(3) ^o	64 ^o	12/15(3) ^o	24/15 ^o	1.0 ^o	0 ^o
3 ^o	15/15 ^o	8/15 ^o	64 ^o	15/8 ^o	30/15 ^o	1.5 ^o	0.5 ^o
4 ^o	15/15 ^o	4/15 ^o	64 ^o	15/4 ^o	30/15 ^o	1.5 ^o	0.5 ^o

Note 1: Δ ACK, Δ NACK and Δ CQI = 8 $A_{hs} = \beta_{hs}/\beta_c = 30/15$ $\beta_{hs} = 30/15 * \beta_c$ ^o

Note 2: CM=1 for $\beta_c/\beta_d = 12/15$, $\beta_{hs}/\beta_c = 24/15$. For all other combinations of DPDCH, DPCCH and HS-DPCCH the MPR is based on the relative CM difference. This is applicable for only UEs that support HSDPA in release 6 and later releases.^o

Note 3: For subtest 2 the β_c/β_d ratio of 12/15 for the TFC during the measurement period (TF1, TF0) is achieved by setting the signalled gain factors for the reference TFC (TF1, TF1) to $\beta_c = 11/15$ and $\beta_d = 15/15$ ^o

Up commands are set continuously to set the UE to Max power.

Note:

- 1.The Dual Carriers transmission only applies to HSDPA physical channels
- 2.The Dual Carriers belong to the same Node and are on adjacent carriers.
- 3.The Dual Carriers do not support MIMO to serve UEs configured for dual cell operation
- 4.The Dual Carriers operate in the same frequency band .
- 5.The device doesn't support the modulation of 16QAM in uplink but 64QAM in downlink for DC-HSDPA mode.
- 6.The device doesn't support carrier aggregation for it just can operate in Release 8.

6.3 LTE Test Configuration

SAR for LTE band exposure configurations is measured according to the procedures of KDB 941225 D05 SAR for LTE Devices v02r03. The CMW500 WideBand Radio Communication Tester was used for LTE output power measurements and SAR testing. Closed loop power control was used so the UE transmits with maximum output power during SAR testing. SAR test were performed with the same number of RB and RB offsets transmitting on all TTI frames(Maximum TTI)

1) Spectrum Plots for RB configurations

A properly configured base station simulator was used for LTE output power measurements and SAR testing. Therefore, spectrum plots for RB configurations were not required to be included in this report.

2) MPR

When MPR is implemented permanently within the UE, regardless of network requirements, only those RB configurations allowed by 3GPP for the channel bandwidth and modulation combinations may be tested with MPR active. Configurations with RB allocations less than the RB thresholds required by 3GPP must be tested without MPR.

The allowed Maximum Power Reduction (MPR) for the maximum output power due to higher order modulation and transmit bandwidth configuration (resource blocks) is specified in Table 6.2.3-1 of the 3GPP TS36.101:

Table 6.2.3-1: Maximum Power Reduction (MPR) for Power Class 3

Modulation	Channel bandwidth / Transmission bandwidth (N_{RB})						MPR (dB)
	1.4 MHz	3.0 MHz	5 MHz	10 MHz	15 MHz	20 MHz	
QPSK	> 5	> 4	> 8	> 12	> 16	> 18	≤ 1
16 QAM	≤ 5	≤ 4	≤ 8	≤ 12	≤ 16	≤ 18	≤ 1
16 QAM	> 5	> 4	> 8	> 12	> 16	> 18	≤ 2

The LTE Band II MPR of the device is as below:

Modulation	Channel bandwidth / Transmission bandwidth configuration [RB]				MPR
	5	10	15	20	
	MHz	MHz	MHz	MHz	
QPSK	≤8	≤ 12	≤16	≤ 18	0
QPSK	>8	> 12	>16	> 18	1
16 QAM	≤8	≤ 12	≤16	≤ 18	1
16 QAM	>8	> 12	>16	> 18	2

The LTE Band IV MPR of the device is as below:

Modulation	Channel bandwidth / Transmission bandwidth configuration [RB]				MPR
	5	10	15	20	
	MHz	MHz	MHz	MHz	
QPSK	≤8	≤ 12	≤16	≤ 18	0
QPSK	>8	> 12	>16	> 18	1
16 QAM	≤8	≤ 12	≤16	≤ 18	1
16 QAM	>8	> 12	>16	> 18	2

The LTE Band VII MPR of the device is as below:

Modulation	Channel bandwidth / Transmission bandwidth configuration [RB]				MPR
	5	10	15	20	
	MHz	MHz	MHz	MHz	
QPSK	≤8	≤ 12	≤16	≤ 18	0
QPSK	>8	> 12	>16	> 18	1
16 QAM	≤8	≤ 12	≤16	≤ 18	1
16 QAM	>8	> 12	>16	> 18	2

3) A-MPR

A-MPR(Additional MPR) has been disabled for all SAR tests by using Network Signalling Value of "NS_01" on the base station simulator.

4) LTE procedures for SAR testing

A) Largest channel bandwidth standalone SAR test requirements

i) QPSK with 1 RB allocation

Start with the largest channel bandwidth and measure SAR for QPSK with 1 RB allocation, using the RB offset and required test channel combination with the highest maximum output power for RB offsets at the upper edge, middle and lower edge of each required test channel. When the reported SAR is ≤ 0.8 W/kg, testing of the remaining RB offset configurations and required test channels is not required for 1 RB allocation; otherwise, SAR is required for the remaining required test channels and only for the RB offset configuration with the highest output power for that channel. When the reported SAR of a required test channel is > 1.45 W/kg, SAR is required for all three RB offset configurations for that required test channel.

ii) QPSK with 50% RB allocation

The procedures required for 1 RB allocation in i) are applied to measure the SAR for QPSK with 50% RB allocation.

iii) QPSK with 100% RB allocation

For QPSK with 100% RB allocation, SAR is not required when the highest maximum output power for 100 % RB allocation is less than the highest maximum output power in 50% and 1 RB allocations and the highest reported SAR for 1 RB and 50% RB allocation in i) and ii) are ≤ 0.8 W/kg. Otherwise, SAR is measured for the highest output power channel and if the reported SAR is > 1.45 W/kg, the remaining required test channels must also be tested.

iv) Higher order modulations

For each modulation besides QPSK; e.g., 16-QAM, 64-QAM, apply the QPSK procedures in above sections to determine the QAM configurations that may need SAR measurement. For each configuration identified as required for testing, SAR is required only when the highest maximum output power for the

configuration in the higher order modulation is $> \frac{1}{2}$ dB higher than the same configuration in QPSK or when the reported SAR for the QPSK configuration is > 1.45 W/kg.

B) Other channel bandwidth standalone SAR test requirements

For the other channel bandwidths used by the device in a frequency band, apply all the procedures required for the largest channel bandwidth in section A) to determine the channels and RB configurations that need SAR testing and only measure SAR when the highest maximum output power of a configuration requiring testing in the smaller channel bandwidth is $> \frac{1}{2}$ dB higher than the equivalent channel configurations in the largest channel bandwidth configuration or the reported SAR of a configuration for the largest channel bandwidth is > 1.45 W/kg.

6.4 WiFi 2.4G Test Configuration

For the 802.11b/g SAR tests, a communication link is set up with the test mode software for WiFi mode test. The Absolute Radio Frequency Channel Number(ARFCN) is allocated to 1, 6 and 11 respectively in the case of 2450 MHz. During the test, at the each test frequency channel, the EUT is operated at the RF continuous emission mode. Each channel should be tested at the lowest data rate.

802.11b/g operating modes are tested independently according to the service requirements in each frequency band. 802.11b/g modes are tested on channel 1, 6, 11; however, if output power reduction is necessary for channels 1 and/or 11 to meet restricted band requirements the highest output channel closest to each of these channels must be tested instead.

SAR is not required for 802.11g/n channels when the maximum average output power is less than 0.25dB higher than that measured on the corresponding 802.11b channels.

Mode	Band	GHz	Channel	"Default Test Channels"	
				802.11b	802.11g
802.11b/g	2.4 GHz	2.412	1#	√	△
		2.437	6	√	△
		2.462	11#	√	△

Notes:

√ = "default test channels"

△ = possible 802.11g channels with maximum average output ¼ dB the "default test channels"

= when output power is reduced for channel 1 and /or 11 to meet restricted band requirements the highest output channels closest to each of these channels should be tested.

802.11 Test Channels per FCC KDB 248227

7 SAR Measurement Results

7.1 Conducted power measurements

For the measurements a Rohde & Schwarz Radio Communication Tester CMU 200&CMW500 was used. SAR drift measured at the same position in liquid before and after each SAR test as below 7.2 chapter.

Note: CMU200 measures GSM peak and average output power for active timeslots. For SAR the timebased average power is relevant. The difference in between depends on the duty cycle of the TDMA signal :

No. of timeslots	1	2	3	4
Duty Cycle	1:8.3	1:4.1	1:2.77	1:2.08
timebased avg. power compared to slotted avg. power	-9.19dB	-6.13dB	-4.42dB	-3.18dB

The signalling modes differ as follows:

mode	coding scheme	modulation
GPRS	CS1 to CS4	GMSK
EDGE	MCS1 to MCS4	GMSK
EDGE	MCS5 to MCS9	8PSK

Apart from modulation change (GMSK/8PSK) coding schemes differ in code rate without influence on the RF signal. Therefore one coding scheme per mode was selected for conducted power measurements.

7.1.1 Conducted power measurements of GSM850

GSM850		Burst-Averaged output Power (dBm)			Division Factors	Frame-Averaged output Power (dBm)		
		128CH	190CH	251CH		128CH	190CH	251CH
GSM (CS)		32.54	32.53	32.35	-9.19	23.35	23.34	23.16
GPRS/ EDGE (GMSK)	1 Tx Slot	32.74	32.61	32.46	-9.19	23.55	23.42	23.27
	2 Tx Slots	29.83	29.80	29.56	-6.13	23.70	23.67	23.43
	3 Tx Slots	28.66	28.51	28.34	-4.42	24.24	24.09	23.92
	4 Tx Slots	27.58	27.54	27.35	-3.18	24.40	24.36	24.17
EDGE (8PSK)	1 Tx Slot	27.10	26.97	27.04	-9.19	17.91	17.78	17.85
	2 Tx Slots	26.80	26.92	26.84	-6.13	20.67	20.79	20.71
	3 Tx Slots	24.26	24.31	24.37	-4.42	19.84	19.89	19.95
	4 Tx Slots	23.07	23.08	23.07	-3.18	19.89	19.90	19.89

Table 14:Conducted power measurement results of GSM850

Note:

- 1) The conducted power of GSM850 is measured with RMS detector.
- 2) Frame-averaged output power was calculated from the measured burst-averaged output power by converting the slot powers into linear units and calculating the energy over 8 timeslots.
- 3) Per KDB 941225 D03v01,the bolded GPRS 4Tx mode was selected for SAR testing according to the highest frame –averaged output power table.

7.1.2 Conducted power measurements of GSM1900

GSM1900		Burst-Averaged output Power (dBm)			Division Factors	Frame-Averaged output Power (dBm)		
		512CH	661CH	810CH		512CH	661CH	810CH
GSM (CS)		29.48	29.60	29.74	-9.19	20.29	20.41	20.55
GPRS/ EDGE (GMSK)	1 Tx Slot	29.72	29.48	29.72	-9.19	20.53	20.29	20.53
	2 Tx Slots	26.72	26.81	27.17	-6.13	20.59	20.68	21.04
	3 Tx Slots	26.02	26.06	26.27	-4.42	21.60	21.64	21.85
	4 Tx Slots	24.80	24.93	25.06	-3.18	21.62	21.75	21.88
EDGE (8PSK)	1 Tx Slot	25.55	25.48	25.45	-9.19	16.36	16.29	16.26
	2 Tx Slots	25.35	25.31	25.30	-6.13	19.22	19.18	19.17
	3 Tx Slots	22.63	22.61	22.69	-4.42	18.21	18.19	18.27
	4 Tx Slots	21.37	21.47	21.39	-3.18	18.19	18.29	18.21

Table 15: Conducted power measurement results of GSM1900

Note:

- 1) The conducted power of GSM1900 is measured with RMS detector.
- 2) Frame-averaged output power was calculated from the measured burst-averaged output power by converting the slot powers into linear units and calculating the energy over 8 timeslots.
- 3) Per KDB 941225 D03v01, the bolded GPRS 4Tx mode was selected for SAR testing according to the highest frame –averaged output power table.

7.1.3 Conducted power measurements of UMTS Band V

UMTS Band V		Conducted Power (dBm)		
		4132CH	4182CH	4233CH
WCDMA	12.2kbps RMC	24.17	24.11	24.14
	64kbps RMC	24.17	24.16	24.16
	144kbps RMC	24.19	24.18	24.18
	384kbps RMC	24.17	24.13	24.14
HSDPA	Subtest 1	23.07	23.08	23.03
	Subtest 2	22.88	22.79	22.77
	Subtest 3	22.23	22.20	22.10
	Subtest 4	22.20	22.15	22.05
HSUPA	Subtest 1	22.87	22.96	22.28
	Subtest 2	21.90	21.91	21.42
	Subtest 3	21.05	21.60	21.42
	Subtest 4	21.92	21.96	22.45
	Subtest 5	22.27	22.18	22.30
DC-HSDPA	Subtest 1	23.04	22.95	22.99
	Subtest 2	22.84	22.72	22.71
	Subtest 3	22.30	22.22	22.11
	Subtest 4	22.26	22.13	22.09

Table 16: Conducted power measurement results of UMTS Band V

Note:

- 1) The conducted power of UMTS Band V is measured with RMS detector.
- 2) Per KDB941225 D01v02, when maximum output of each RF channel with HSDPA/HSUPA active is \leq ¼ dB higher than without HSDPA/HSUPA using 12.2 kbps RMC and maximum SAR for 12.2 kbps RMC is \leq 75% of SAR limit, SAR evaluation for HSDPA/HSUPA is not required.
- 3) Per KDB941225 D02v02r02, when the maximum average output power of each RF channel with (uplink) HSPA+/DC-HSDPA active is \leq 1/4 dB higher than that measured without HSPA+/DC-HSDPA using 12.2 kbps RMC, or the maximum reported SAR for 12.2 kbps RMC without HSPA+/DC-HSDPA/ is \leq 75% of the SAR limit, SAR evaluation for HSPA+/DC-HSDPA is not required.

7.1.4 Conducted power measurements of UMTS Band IV

UMTS Band IV		Conducted Power (dBm)		
		1312CH	1413CH	1513CH
WCDMA	12.2kbps RMC	23.00	22.97	23.09
	64kbps RMC	23.06	23.05	23.19
	144kbps RMC	23.02	23.01	23.17
	384kbps RMC	22.94	23.00	23.15
HSDPA	Subtest 1	22.08	22.09	22.25
	Subtest 2	22.00	21.95	22.30
	Subtest 3	21.37	21.63	21.21
	Subtest 4	21.39	21.30	21.31
HSUPA	Subtest 1	21.79	21.91	22.04
	Subtest 2	20.56	20.97	21.02
	Subtest 3	20.99	20.82	20.38
	Subtest 4	20.97	21.13	21.04
	Subtest 5	21.68	21.21	21.95
DC-HSDPA	Subtest 1	21.90	21.91	22.07
	Subtest 2	21.82	21.77	22.12
	Subtest 3	21.19	21.45	21.03
	Subtest 4	21.21	21.12	21.13

Table 17: Conducted power measurement results of UMTS Band IV

Note:

- 1) The conducted power of UMTS Band IV is measured with RMS detector.
- 2) Per KDB941225 D01v02, when maximum output of each RF channel with HSDPA/HSUPA active is \leq ¼ dB higher than without HSDPA/HSUPA using 12.2 kbps RMC and maximum SAR for 12.2 kbps RMC is \leq 75% of SAR limit, SAR evaluation for HSDPA/HSUPA is not required.
- 3) Per KDB941225 D02v02r02, when the maximum average output power of each RF channel with (uplink) HSPA+/DC-HSDPA active is \leq 1/4 dB higher than that measured without HSPA+/DC-HSDPA using 12.2 kbps RMC, or the maximum reported SAR for 12.2 kbps RMC without HSPA+/DC-HSDPA/ is \leq 75% of the SAR limit, SAR evaluation for HSPA+/DC-HSDPA is not required.

7.1.5 Conducted power measurements of UMTS Band II

UMTS Band II		Conducted Power (dBm)		
		9262CH	9400CH	9538CH
WCDMA	12.2kbps RMC	23.60	23.35	23.47
	64kbps RMC	23.62	23.34	23.53
	144kbps RMC	23.60	23.31	23.48
	384kbps RMC	23.59	23.30	23.54
HSDPA	Subtest 1	22.77	22.45	22.59
	Subtest 2	22.77	22.23	22.62
	Subtest 3	21.97	21.64	22.49
	Subtest 4	22.29	21.97	22.13
HSUPA	Subtest 1	22.46	21.58	21.81
	Subtest 2	21.57	21.23	21.49
	Subtest 3	21.40	21.01	21.39
	Subtest 4	21.91	21.43	21.77
	Subtest 5	22.29	21.34	21.94
DC-HSDPA	Subtest 1	22.59	22.27	22.41
	Subtest 2	22.59	22.05	22.44
	Subtest 3	21.79	21.46	22.31
	Subtest 4	22.11	21.79	21.95

Table 18: Conducted power measurement results of UMTS Band II

Note:

- 1) The conducted power of UMTS Band II is measured with RMS detector.
- 2) Per KDB941225 D01v02, when maximum output of each RF channel with HSDPA/HSUPA active is \leq ¼ dB higher than without HSDPA/HSUPA using 12.2 kbps RMC and maximum SAR for 12.2 kbps RMC is \leq 75% of SAR limit, SAR evaluation for HSDPA/HSUPA is not required.
- 3) Per KDB941225 D02v02r02, when the maximum average output power of each RF channel with (uplink) HSPA+/DC-HSDPA active is \leq 1/4 dB higher than that measured without HSPA+/DC-HSDPA using 12.2 kbps RMC, or the maximum reported SAR for 12.2 kbps RMC without HSPA+/DC-HSDPA/ is \leq 75% of the SAR limit, SAR evaluation for HSPA+/DC-HSDPA is not required.

7.1.1 Conducted power measurements of LTE Band II

Bandwidth	Modulation	RB size	RB offset	Channel	Channel	Channel
				18607	18900	19193
1.4MHz	QPSK	1	0	23.29	23.06	23.33
		1	3	23.12	22.98	23.32
		1	5	23.19	23.06	23.40
		3	0	22.93	22.91	22.95
		3	2	22.94	22.89	22.96
		3	3	22.92	22.87	22.94
		6	0	22.16	22.08	22.33
	16QAM	1	0	22.37	22.29	22.53
		1	3	22.24	22.22	22.44
		1	5	22.28	22.11	22.64
		3	0	21.98	21.91	21.95
		3	2	21.98	21.75	21.96
		3	3	21.97	21.81	21.91
		6	0	20.81	20.71	21.17
Bandwidth	Modulation	RB size	RB offset	Channel	Channel	Channel
				18615	18900	19185
3MHz	QPSK	1	0	23.21	23.08	23.29
		1	7	23.18	23.06	23.29
		1	14	23.28	23.08	23.39
		8	0	22.15	22.04	22.18
		8	4	22.10	21.97	22.24
		8	7	22.13	21.98	22.34
		15	0	22.14	22.01	22.29
	16QAM	1	0	22.21	22.19	22.39
		1	7	22.26	22.17	22.40
		1	14	22.27	22.15	22.47
		8	0	21.04	21.03	21.20
		8	4	21.03	20.98	21.18
		8	7	21.07	20.96	21.23
		15	0	21.08	21.13	21.24

Bandwidth	Modulation	RB size	RB offset	Channel	Channel	Channel
				18625	18900	19175
5MHz	QPSK	1	0	23.07	23.07	23.27
		1	13	23.18	23.02	23.22
		1	24	23.20	23.06	23.37
		12	0	22.16	22.04	22.17
		12	6	22.15	22.02	22.25
		12	13	22.18	22.04	22.25
		25	0	22.14	22.09	22.21
	16QAM	1	0	22.03	22.00	22.21
		1	13	22.05	21.94	22.11
		1	24	21.93	21.94	22.22
		12	0	21.05	20.95	21.07
		12	6	21.08	21.00	21.09
		12	13	21.15	20.96	21.14
		25	0	21.02	20.90	21.14
Bandwidth	Modulation	RB size	RB offset	Channel	Channel	Channel
				18650	18900	19150
10MHz	QPSK	1	0	23.07	23.04	23.16
		1	25	23.21	23.05	23.25
		1	49	23.21	23.03	23.34
		25	0	22.19	22.09	22.20
		25	13	22.16	21.99	22.15
		25	25	22.21	22.06	22.23
		50	0	22.14	22.07	22.15
	16QAM	1	0	22.13	22.12	22.29
		1	25	22.29	22.10	22.30
		1	49	22.19	22.15	22.40
		25	0	21.02	21.00	21.11
		25	13	21.02	20.99	21.03
		25	25	21.02	20.98	21.05
		50	0	21.05	21.00	21.02

Bandwidth	Modulation	RB size	RB offset	Channel	Channel	Channel
				18675	18900	19125
15MHz	QPSK	1	0	23.20	22.99	23.10
		1	38	23.14	23.00	23.14
		1	74	23.19	22.97	23.32
		36	0	22.17	22.09	22.07
		36	18	22.20	21.97	22.12
		36	39	22.17	22.01	22.18
		75	0	22.22	22.12	22.16
	16QAM	1	0	22.27	22.15	22.23
		1	38	22.19	22.12	22.22
		1	74	22.36	22.07	22.34
		36	0	21.03	21.03	21.10
		36	18	21.08	21.00	21.12
		36	39	21.08	20.98	21.08
		75	0	21.15	21.04	21.04
Bandwidth	Modulation	RB size	RB offset	Channel	Channel	Channel
				18700	18900	19100
20MHz	QPSK	1	0	23.16	23.13	22.95
		1	50	23.25	23.04	23.09
		1	99	23.14	22.98	23.23
		50	0	22.21	22.11	22.03
		50	25	22.11	22.01	22.18
		50	50	22.23	21.99	22.12
		100	0	22.28	22.05	22.09
	16QAM	1	0	22.39	22.21	22.16
		1	50	22.31	22.18	22.17
		1	99	22.23	22.05	22.38
		50	0	21.10	21.00	20.91
		50	25	21.22	20.96	21.05
		50	50	21.09	20.88	21.00
		100	0	21.14	20.98	21.03

Table 19: Conducted power measurement results of LTE Band II

7.1.1 Conducted power measurements of LTE Band IV

Bandwidth	Modulation	RB size	RB offset	Channel	Channel	Channel
				19957	20175	20393
1.4MHz	QPSK	1	0	23.23	23.19	23.27
		1	3	23.19	23.23	23.27
		1	5	23.22	23.23	23.25
		3	0	22.95	22.92	22.96
		3	2	22.94	22.89	22.97
		3	3	22.92	22.88	22.96
		6	0	22.24	22.29	22.39
	16QAM	1	0	22.56	22.50	22.18
		1	3	22.37	22.39	22.15
		1	5	22.38	22.38	22.23
		3	0	21.89	21.91	21.95
		3	2	21.88	21.92	21.96
		3	3	21.85	21.93	21.97
		6	0	21.05	21.09	21.50
Bandwidth	Modulation	RB size	RB offset	Channel	Channel	Channel
				19965	20175	20385
3MHz	QPSK	1	0	23.26	23.31	23.44
		1	7	23.25	23.28	23.33
		1	14	23.25	23.27	23.35
		8	0	22.24	22.26	22.43
		8	4	22.22	22.24	22.46
		8	7	22.30	22.27	22.35
		15	0	22.28	22.33	22.53
	16QAM	1	0	22.39	22.38	22.58
		1	7	22.36	22.40	22.45
		1	14	22.41	22.45	22.55
		8	0	21.21	21.31	21.46
		8	4	21.25	21.26	21.48
		8	7	21.26	21.31	21.39
		15	0	21.24	21.26	21.51

Bandwidth	Modulation	RB size	RB offset	Channel	Channel	Channel
				19975	20175	20375
5MHz	QPSK	1	0	23.21	23.27	23.45
		1	13	23.27	23.25	23.41
		1	24	23.29	23.26	23.30
		12	0	22.26	22.31	22.41
		12	6	22.27	22.25	22.40
		12	13	22.25	22.28	22.45
		25	0	22.23	22.29	22.46
	16QAM	1	0	22.23	22.21	22.37
		1	13	22.15	22.18	22.39
		1	24	22.15	22.20	22.32
		12	0	21.19	21.20	21.43
		12	6	21.22	21.25	21.45
		12	13	21.22	21.26	21.45
		25	0	21.16	21.20	21.39
Bandwidth	Modulation	RB size	RB offset	Channel	Channel	Channel
				20000	20175	20350
10MHz	QPSK	1	0	23.22	23.24	23.37
		1	25	23.30	23.30	23.35
		1	49	23.14	23.18	23.27
		25	0	22.30	22.29	22.40
		25	13	22.29	22.27	22.47
		25	25	22.24	22.30	22.49
		50	0	22.32	22.34	22.52
	16QAM	1	0	22.42	22.40	22.49
		1	25	22.40	22.38	22.49
		1	49	22.29	22.26	22.44
		25	0	21.22	21.21	21.40
		25	13	21.22	21.26	21.43
		25	25	21.16	21.26	21.41
		50	0	21.27	21.27	21.45

Bandwidth	Modulation	RB size	RB offset	Channel	Channel	Channel
				20025	20175	20325
15MHz	QPSK	1	0	23.23	23.25	23.29
		1	38	23.14	23.25	23.33
		1	74	23.14	23.22	23.21
		36	0	22.31	22.30	22.36
		36	18	22.15	22.25	22.37
		36	39	22.19	22.30	22.43
		75	0	22.27	22.42	22.61
	16QAM	1	0	22.32	22.38	22.45
		1	38	22.30	22.40	22.54
		1	74	22.36	22.55	22.56
		36	0	21.29	21.26	21.39
		36	18	21.22	21.25	21.44
		36	39	21.14	21.27	21.42
		75	0	21.27	21.36	21.49
Bandwidth	Modulation	RB size	RB offset	Channel	Channel	Channel
				20050	20175	20300
20MHz	QPSK	1	0	23.23	23.19	23.11
		1	50	23.15	23.32	23.33
		1	99	23.11	23.15	23.24
		50	0	22.19	22.30	22.50
		50	25	22.22	22.30	22.43
		50	50	22.26	22.40	22.52
		100	0	22.19	22.37	22.49
	16QAM	1	0	22.36	22.36	22.40
		1	50	22.34	22.42	22.45
		1	99	22.25	22.29	22.47
		50	0	21.17	21.21	21.40
		50	25	21.18	21.24	21.42
		50	50	21.15	21.26	21.43
		100	0	21.19	21.32	21.44

Table 20: Conducted power measurement results of LTE Band IV

7.1.2 Conducted power measurements of LTE Band VII

Bandwidth	Modulation	RB size	RB offset	Channel	Channel	Channel
				20775	21100	21425
5MHz	QPSK	1	0	22.35	22.53	22.12
		1	13	22.31	22.48	22.06
		1	24	22.13	22.46	22.08
		12	0	21.40	21.50	21.03
		12	6	21.30	21.49	21.01
		12	13	21.36	21.55	21.01
		25	0	21.32	21.50	21.02
	16QAM	1	0	21.40	21.53	21.08
		1	13	21.30	21.47	21.01
		1	24	21.29	21.43	21.06
		12	0	20.32	20.46	20.12
		12	6	20.32	20.49	20.12
		12	13	20.31	20.52	20.10
		25	0	20.33	20.45	20.07
Bandwidth	Modulation	RB size	RB offset	Channel	Channel	Channel
				20800	21100	21400
10MHz	QPSK	1	0	22.33	22.48	22.16
		1	25	22.22	22.55	22.14
		1	49	22.26	22.38	22.08
		25	0	21.33	21.56	21.07
		25	13	21.31	21.48	21.03
		25	25	21.38	21.57	21.03
		50	0	21.30	21.54	21.06
	16QAM	1	0	21.57	21.61	21.36
		1	25	21.38	21.64	21.20
		1	49	21.38	21.56	21.16
		25	0	20.26	20.51	20.16
		25	13	20.27	20.48	20.18
		25	25	20.28	20.54	20.12
		50	0	20.31	20.50	20.13

Bandwidth	Modulation	RB size	RB offset	Channel	Channel	Channel
				20825	21100	21375
15MHz	QPSK	1	0	22.28	22.59	22.19
		1	38	22.25	22.51	22.11
		1	74	22.30	22.47	22.01
		36	0	21.29	21.54	21.05
		36	18	21.31	21.53	21.09
		36	39	21.40	21.44	21.10
		75	0	21.35	21.54	21.06
	16QAM	1	0	21.51	21.67	21.38
		1	38	21.47	21.64	21.23
		1	74	21.46	21.61	21.14
		36	0	20.32	20.54	20.21
		36	18	20.35	20.51	20.18
		36	39	20.33	20.38	20.15
		75	0	20.33	20.54	20.14
Bandwidth	Modulation	RB size	RB offset	Channel	Channel	Channel
				20850	21100	21350
20MHz	QPSK	1	0	22.24	22.48	22.24
		1	50	22.29	22.52	22.14
		1	99	22.41	22.39	21.97
		50	0	21.27	21.57	21.16
		50	25	21.31	21.48	21.06
		50	50	21.38	21.47	21.04
		100	0	21.28	21.55	21.06
	16QAM	1	0	21.49	21.60	21.41
		1	50	21.40	21.65	21.23
		1	99	21.53	21.51	21.13
		50	0	20.22	20.50	20.19
		50	25	20.23	20.44	20.18
		50	50	20.27	20.37	20.10
		100	0	20.29	20.48	20.15

Table 21: Conducted power measurement results of LTE Band VII(Hotspot disabled)

Bandwidth	Modulation	RB size	RB offset	Channel	Channel	Channel
				20775	21100	21425
5MHz	QPSK	1	0	17.25	17.30	17.46
		1	13	17.42	17.58	17.14
		1	24	17.26	17.46	18.01
		12	0	17.15	17.46	18.03
		12	6	17.39	17.47	17.03
		12	13	17.34	17.52	17.03
		25	0	17.33	17.56	16.98
	16QAM	1	0	17.06	16.79	16.95
		1	13	17.39	17.53	17.04
		1	24	17.27	17.47	17.03
		12	0	17.29	17.43	16.98
		12	6	17.02	17.02	17.14
		12	13	17.07	17.03	17.10
		25	0	17.05	17.04	17.12
Bandwidth	Modulation	RB size	RB offset	Channel	Channel	Channel
				20800	21100	21400
10MHz	QPSK	1	0	17.05	17.28	17.50
		1	25	17.40	17.53	17.18
		1	49	17.17	17.53	17.09
		25	0	17.28	18.38	17.03
		25	13	17.32	17.53	17.07
		25	25	17.35	17.51	17.05
		50	0	17.35	17.58	17.00
	16QAM	1	0	17.07	16.77	17.00
		1	25	17.56	17.61	17.32
		1	49	17.35	17.64	17.22
		25	0	17.38	17.56	17.16
		25	13	17.04	17.03	17.18
		25	25	17.02	17.02	17.16
		50	0	17.02	17.06	17.14

Bandwidth	Modulation	RB size	RB offset	Channel	Channel	Channel
				20825	21100	21375
15MHz	QPSK	1	0	17.02	17.33	17.50
		1	38	17.35	17.64	17.21
		1	74	17.20	17.49	17.06
		36	0	17.32	17.47	17.96
		36	18	17.28	17.51	17.05
		36	39	17.35	17.56	17.11
		75	0	17.37	17.45	17.10
	16QAM	1	0	17.13	17.29	17.54
		1	38	17.50	17.67	17.34
		1	74	17.44	17.64	17.25
		36	0	17.46	17.61	17.14
		36	18	17.34	16.56	17.23
		36	39	17.35	17.51	17.16
		75	0	17.35	17.40	17.17
Bandwidth	Modulation	RB size	RB offset	Channel	Channel	Channel
				20850	21100	21350
20MHz	QPSK	1	0	17.02	17.26	17.51
		1	50	17.31	17.53	17.26
		1	99	17.24	17.50	17.09
		50	0	17.43	17.39	18.02
		50	25	17.26	17.54	17.16
		50	50	17.35	17.51	17.08
		100	0	17.35	17.48	17.04
	16QAM	1	0	17.14	17.25	17.48
		1	50	17.48	17.60	18.37
		1	99	17.37	17.65	18.25
		50	0	17.53	17.51	18.13
		50	25	17.24	17.52	17.21
		50	50	17.23	17.44	17.16
		100	0	17.29	17.39	17.12

Table 22: Conducted power measurement results of LTE Band VII(Hotspot activated)

7.1.3 Conducted power measurements of WiFi 2.4G

The output power of WiFi antenna is as following:

Wi-Fi 2450MHz	Channel	Average Power (dBm) for Data Rates (Mbps)							
		1	2	5.5	11	/	/	/	/
802.11b	1	16.43	16.36	16.21	16.02	/	/	/	/
	6	16.66	16.45	16.17	16.06	/	/	/	/
	11	16.60	16.52	16.26	16.09	/	/	/	/
802.11g	Channel	6	9	12	18	24	36	48	54
	1	14.16	13.77	13.43	13.18	12.71	12.23	11.76	11.49
	6	14.39	13.81	13.55	13.23	12.85	12.41	11.95	11.62
	11	14.11	13.75	13.47	13.14	12.65	12.18	11.80	11.41
802.11n (HT20,800ns)	Channel	6.5	13	19.5	26	39	52	58.5	65
	1	12.38	11.92	11.42	10.78	10.51	10.32	10.02	9.68
	6	12.42	11.87	11.39	10.85	10.55	10.25	9.86	9.59
	11	12.55	12.08	11.57	10.92	10.67	10.39	9.83	9.43

Table 23: Conducted power measurement results of WiFi 2.4G.

Note:

- 1) The Average conducted power of WiFi is measured with RMS detector.
- 2) Per KDB248227, for WiFi 2.4GHz, highest average RF output power channel for the lowest data rate of 802.11b mode was selected for SAR evaluation. SAR test at higher data rates and higher order modulations (including 802.11g/n) were not required since the maximum average output power for each of these configurations is not more than 1/4dB higher than the tested channel for the lowest data rate of 802.11b mode.

7.1.4 Conducted power measurements of BT

The output power of BT antenna is as following:

BT 2450	Average Conducted Power (dBm)		
	0CH	39CH	78CH
DH5	5.59	7.16	5.52
2DH5	3.95	5.71	3.83
3DH5	3.92	5.74	3.81

BT 2450	Average Conducted Power (dBm)		
	0CH	19CH	39CH
BT(4.0)	-5.79	-4.12	-5.38

Table 24: Conducted power measurement results of BT.

Note: The conducted power of BT is measured with RMS detector.

7.2 SAR measurement Results

General Notes:

- 1) Per KDB447498 D01v05r02, all measurement SAR results are scaled to the maximum tune-up tolerance limit to demonstrate compliant.
- 2) Per KDB447498 D01v05r02, testing of other required channels within the operating mode of a frequency band is not required when the reported 1-g or 10-g SAR for the mid-band or highest output power channel is: ≤ 0.8 W/kg or 2.0 W/kg, for 1-g or 10-g respectively, when the transmission band is ≤ 100 MHz. When the maximum output power variation across the required test channels is $> \frac{1}{2}$ dB, instead of the middle channel, the highest output power channel must be used.
- 3) Per KDB865664 D01v01r03, for each frequency band, repeated SAR measurement is required only when the measured SAR is ≥ 0.8 W/Kg; if the deviation among the repeated measurement is $\leq 20\%$, and the measured SAR < 1.45 W/Kg, only one repeated measurement is required.
- 4) Per KDB941225 D06v01r01, the DUT Dimension is bigger than 9 cm x 5 cm, so 10mm is chosen as the test separation distance for Hotspot mode. When the antenna-to-edge distance is greater than 2.5cm, such position does not need to be tested.
- 5) Per KDB648474 D04v01r02, SAR is evaluated without a headset connected to the device. When the standalone reported Body-Worn SAR is ≤ 1.2 W/kg, no additional SAR evaluations using a headset are required.
- 6) Per KDB865664 D02v01r01, SAR plot is only required for the highest measured SAR in each exposure configuration, wireless mode and frequency band combination; Plots are also required when the measured SAR is > 1.5 W/kg, or > 7.0 W/kg for occupational exposure. The published RF exposure KDB procedures may require additional plots; for example, to support SAR to peak location separation ratio test exclusion and/or volume scan post-processing (Refer to appendix B for details).

GSM Notes:

- 1) Per KDB648474 D04v01r02, body-worn accessory testing is typically associated with voice operations. Therefore, GSM voice was evaluated for body-worn SAR.
- 2) Per KDB941225 D03v01, when multiple slots can be used, the GPRS/EDGE slot configuration with the highest frame-averaged output power was selected for SAR testing.

UMTS Notes:

- 1) Per KDB941225 D01v02, when maximum output of each RF channel with HSDPA/HSUPA active is $\leq 1/4$ dB higher than without HSDPA/HSUPA using 12.2 kbps RMC and maximum SAR for 12.2 kbps RMC is $\leq 75\%$ of SAR limit, SAR evaluation for HSDPA/HSUPA is not required.
- 2) Per KDB941225 D02v02r02, when the maximum average output power of each RF channel with (uplink) HSPA+/DC-HSDPA active is $\leq 1/4$ dB higher than that measured without HSPA+/DC-HSDPA using 12.2 kbps RMC, or the maximum reported SAR for 12.2 kbps RMC without HSPA+/DC-HSDPA/ is $\leq 75\%$ of the SAR limit, SAR evaluation for HSPA+/DC-HSDPA is not required.

LTE notes:

- 1) The LTE test configurations are determined according to KDB941225 D05 SAR for LTE Devices v02r03. The general test procedures used for SAR testing can be found in Section 6.3.
- 2) A-MPR was disabled for all SAR test by setting NS_01 on the base station simulator. SAR tests were performed with the same number of RB and RB offsets transmitting on all TTI frames (maximum TTI)

WLAN Notes:

Per KDB248227D01v01r02 and October 2012/April 2013 FCC/TCB workshop meeting notes:

1) For WiFi 2.4GHz, highest average RF output power channel for the lowest data rate of 802.11b mode was selected for SAR evaluation. SAR test at higher data rates and higher order modulations (including 802.11g/n) were not required since the maximum average output power for each of these configurations is not more than 1/4dB higher than the tested channel for the lowest data rate of 802.11b mode.

7.2.1 SAR measurement Result of GSM850

Test Position of Head	Test channel /Frequency	Test Mode	SAR Value (W/kg)		Power Drift (dB)	Conducted Power (dBm)	Tune-up Power (dBm)	Scaled SAR1-g (W/kg)	Liquid Temp.
			1-g	10-g					
The data of G6-L22 from report No.: SYBH(Z-SAR)015022014-2									
Test data with the battery 1#									
Left Hand Touched	190/836.6	GSM	0.554	0.413	0.030	32.53	33.50	0.693	21.9°C
Left Hand Tilted 15°	190/836.6	GSM	0.413	0.310	0.020	32.53	33.50	0.516	21.9°C
Right Hand Touched	251/848.8	GSM	0.633	0.468	-0.080	32.35	33.50	0.825	21.9°C
Right Hand Touched	190/836.6	GSM	0.675	0.497	-0.090	32.53	33.50	0.844	21.9°C
Right Hand Touched	128/824.2	GSM	0.672	0.501	-0.110	32.54	33.50	0.838	21.9°C
Right Hand Tilted 15°	190/836.6	GSM	0.474	0.359	0.000	32.53	33.50	0.593	21.9°C
Tested at worst position with the battery 2#									
Right Hand Touched	190/836.6	GSM	0.670	0.497	-0.040	32.53	33.50	0.838	21.9°C
G6-L33 tested at the worst position of G6-L22 from report No.: SYBH(Z-SAR)015022014-2 with battery 1#									
Right Hand Touched	190/836.6	GSM	0.583	0.432	0.180	32.53	33.50	0.729	21.9°C
G6-L33 tested at the worst position of G6-L22 from report No.: SYBH(Z-SAR)015022014-2 with battery 2#									
Right Hand Touched	190/836.6	GSM	0.619	0.461	0.050	32.53	33.50	0.774	21.9°C

Table 25: Head SAR test results of GSM850

Test Position of Body-Worn with 15mm	Test channel /Frequency	Test Mode	SAR Value (W/kg)		Power Drift (dB)	Conducted Power (dBm)	Tune-up Power (dBm)	Scaled SAR1-g (W/kg)	Liquid Temp.
			1-g	10-g					
The data of G6-L22 from report No.: SYBH(Z-SAR)015022014-2									
Test data with the battery 1#									
Front Side	251/848.8	GSM	0.638	0.485	-0.050	32.35	33.50	0.831	21.8°C
Front Side	190/836.6	GSM	0.696	0.533	-0.100	32.53	33.50	0.870	21.8°C
Front Side	128/824.2	GSM	0.690	0.531	0.040	32.54	33.50	0.861	21.8°C
Back Side	251/848.8	GSM	0.688	0.520	-0.050	32.35	33.50	0.897	21.8°C
Back Side	190/836.6	GSM	0.738	0.561	-0.050	32.53	33.50	0.923	21.8°C
Back Side	128/824.2	GSM	0.741	0.563	0.030	32.54	33.50	0.924	21.8°C
Tested at worst position with the battery 2#									
Back Side	128/824.2	GSM	0.792	0.604	-0.120	32.54	33.50	0.988	21.8°C
G6-L33 tested at the worst position of G6-L22 from report No.: SYBH(Z-SAR)015022014-2 with battery 1#									
Back Side	128/824.2	GSM	0.673	0.510	-0.030	32.54	33.50	0.839	21.8°C
G6-L33 tested at the worst position of G6-L22 from report No.: SYBH(Z-SAR)015022014-2 with battery 2#									
Back Side	128/824.2	GSM	0.701	0.532	-0.010	32.54	33.50	0.874	21.8°C

Table 26: Body-Worn SAR test results of GSM850

Test Position of Hotspot with 10mm	Test channel /Frequency	Test Mode	SAR Value (W/kg)		Power Drift (dB)	Conducted Power (dBm)	Tune-up Power (dBm)	Scaled SAR1-g (W/kg)	Liquid Temp.
			1-g	10-g					
The data of G6-L22 from report No.: SYBH(Z-SAR)015022014-2									
Test data with the battery 1#									
Front Side	251/848.8	GPRS 4TS	0.642	0.493	-0.030	27.35	28.00	0.746	21.8°C
Front Side	190/836.6	GPRS 4TS	0.808	0.622	-0.110	27.54	28.00	0.898	21.8°C
Front Side	128/824.2	GPRS 4TS	0.958	0.743	0.060	27.58	28.00	1.055	21.8°C
Back Side	251/848.8	GPRS 4TS	0.736	0.562	0.000	27.35	28.00	0.855	21.8°C
Back Side	190/836.6	GPRS 4TS	0.921	0.702	-0.030	27.54	28.00	1.024	21.8°C
Back Side	128/824.2	GPRS 4TS	1.120	0.850	0.060	27.58	28.00	1.234	21.8°C
Left Side	190/836.6	GPRS 4TS	0.710	0.489	0.020	27.54	28.00	0.789	21.8°C
Right Side	251/848.8	GPRS 4TS	0.743	0.510	-0.010	27.35	28.00	0.863	21.8°C
Right Side	190/836.6	GPRS 4TS	0.996	0.688	0.040	27.54	28.00	1.107	21.8°C
Right Side	128/824.2	GPRS 4TS	1.030	0.711	-0.060	27.58	28.00	1.135	21.8°C
Bottom Side	190/836.6	GPRS 4TS	0.206	0.123	-0.130	27.54	28.00	0.229	21.8°C
Tested at worst position with the battery 2#									
Back Side	128/824.2	GPRS 4TS	1.120	0.857	0.060	27.58	28.00	1.234	21.8°C
Back Side-repeated*	128/824.2	GPRS 4TS	1.120	0.857	0.030	27.58	28.00	1.234	21.8°C
G6-L33 tested at the worst position of G6-L22 from report No.: SYBH(Z-SAR)015022014-2 with battery 1#									
Back Side	128/824.2	GPRS 4TS	0.941	0.718	-0.040	27.58	28.00	1.037	21.8°C
G6-L33 tested at the worst position of G6-L22 from report No.: SYBH(Z-SAR)015022014-2 with battery 2#									
Back Side	128/824.2	GPRS 4TS	1.080	0.804	0.030	27.58	28.00	1.190	21.8°C

Table 27: Hotspot SAR test results of GSM850

Note: * - repeated at the highest SAR measurement according to the FCC KDB 865664

7.2.2 SAR measurement Result of GSM1900

Test Position of Head	Test channel /Frequency	Test Mode	SAR Value (W/kg)		Power Drift (dB)	Conducted Power (dBm)	Tune-up Power (dBm)	Scaled SAR1-g (W/kg)	Liquid Temp.
			1-g	10-g					
The data of G6-L22 from report No.: SYBH(Z-SAR)015022014-2									
Test data with the battery 1#									
Left Hand Touched	661/1880	GSM	0.267	0.168	-0.140	29.60	30.50	0.328	21.4°C
Left Hand Tilted 15°	661/1880	GSM	0.177	0.107	0.070	29.60	30.50	0.218	21.4°C
Right Hand Touched	661/1880	GSM	0.305	0.191	0.060	29.60	30.50	0.375	21.4°C
Right Hand Tilted 15°	661/1880	GSM	0.121	0.073	0.160	29.60	30.50	0.149	21.4°C
Tested at worst position with the battery 2#									
Right Hand Touched	661/1880	GSM	0.294	0.185	-0.010	29.60	30.50	0.362	21.4°C
G6-L33 tested at the worst position of G6-L22 from report No.: SYBH(Z-SAR)015022014-2 with battery 1#									
Right Hand Touched	661/1880	GSM	0.321	0.199	0.110	29.60	30.50	0.395	21.4°C
G6-L33 tested at the worst position of G6-L22 from report No.: SYBH(Z-SAR)015022014-2 with battery 2#									
Right Hand Touched	661/1880	GSM	0.331	0.205	0.120	29.60	30.50	0.407	21.4°C

Table 28: Table 29: Head SAR test results of GSM1900

Test Position of Body-Worn with 15mm	Test channel /Frequency	Test Mode	SAR Value (W/kg)		Power Drift (dB)	Conducted Power (dBm)	Tune-up Power (dBm)	Scaled SAR1-g (W/kg)	Liquid Temp.
			1-g	10-g					
The data of G6-L22 from report No.: SYBH(Z-SAR)015022014-2									
Test data with the battery 1#									
Front Side	661/1880	GSM	0.244	0.151	0.090	29.60	30.50	0.300	21.3°C
Back Side	661/1880	GSM	0.270	0.159	0.050	29.60	30.50	0.332	21.3°C
Tested at worst position with the battery 2#									
Back Side	661/1880	GSM	0.304	0.179	0.080	29.60	30.50	0.374	21.3°C
G6-L33 tested at the worst position of G6-L22 from report No.: SYBH(Z-SAR)015022014-2 with battery 1#									
Back Side	661/1880	GSM	0.283	0.165	-0.080	29.60	30.50	0.348	21.3°C
G6-L33 tested at the worst position of G6-L22 from report No.: SYBH(Z-SAR)015022014-2 with battery 2#									
Back Side	661/1880	GSM	0.280	0.165	-0.040	29.60	30.50	0.344	21.3°C

Table 30: Body-Worn SAR test results of GSM1900

Test Position of Hotspot with 10mm	Test channel /Frequency	Test Mode	SAR Value (W/kg)		Power Drift (dB)	Conducted Power (dBm)	Tune-up Power (dBm)	Scaled SAR _{1-g} (W/kg)	Liquid Temp.
			1-g	10-g					
The data of G6-L22 from report No.: SYBH(Z-SAR)015022014-2									
Test data with the battery 1#									
Front Side	661/1880	GPRS 4TS	0.628	0.360	-0.040	24.93	25.50	0.716	21.3°C
Back Side	810/1909.8	GPRS 4TS	0.846	0.452	-0.090	25.06	25.50	0.936	21.3°C
Back Side-repeated*	810/1909.8	GPRS 4TS	0.764	0.415	0.150	25.06	25.50	0.845	21.3°C
Back Side	661/1880	GPRS 4TS	0.760	0.415	0.000	24.93	25.50	0.867	21.3°C
Back Side	512/1850.2	GPRS 4TS	0.796	0.444	-0.040	24.80	25.50	0.935	21.3°C
Left Side	661/1880	GPRS 4TS	0.146	0.086	0.170	24.93	25.50	0.166	21.3°C
Right Side	661/1880	GPRS 4TS	0.167	0.100	0.190	24.93	25.50	0.190	21.3°C
Bottom Side	661/1880	GPRS 4TS	0.696	0.380	0.060	24.93	25.50	0.794	21.3°C
Tested at worst position with the battery 2#									
Back Side	810/1909.8	GPRS 4TS	0.778	0.424	-0.020	25.06	25.50	0.861	21.3°C
G6-L33 tested at the worst position of G6-L22 from report No.: SYBH(Z-SAR)015022014-2 with battery 1#									
Back Side	810/1909.8	GPRS 4TS	0.702	0.379	0.140	25.06	25.50	0.777	21.3°C
G6-L33 tested at the worst position of G6-L22 from report No.: SYBH(Z-SAR)015022014-2 with battery 2#									
Back Side	810/1909.8	GPRS 4TS	0.727	0.397	0.180	25.06	25.50	0.805	21.3°C

Table 31: Hotspot SAR test results of GSM1900

Note: * - repeated at the highest SAR measurement according to the FCC KDB 865664

7.2.1 SAR measurement Result of UMTS Band V

Test Position of Head	Test channel /Frequency	Test Mode	SAR Value (W/kg)		Power Drift (dB)	Conducted Power (dBm)	Tune-up Power (dBm)	Scaled SAR _{1-g} (W/kg)	Liquid Temp.
			1-g	10-g					
The data of G6-L22 from report No.: SYBH(Z-SAR)015022014-2									
Left Hand Touched	4182/836.4	RMC	0.584	0.436	0.100	24.11	24.50	0.639	21.9°C
Left Hand Tilted 15°	4182/836.4	RMC	0.459	0.347	-0.020	24.11	24.50	0.502	21.9°C
Right Hand Touched	4182/836.4	RMC	0.677	0.501	-0.170	24.11	24.50	0.741	21.9°C
Right Hand Tilted 15°	4182/836.4	RMC	0.454	0.347	0.030	24.11	24.50	0.497	21.9°C
Tested at worst position with the battery 2#									
Right Hand Touched	4182/836.4	RMC	0.649	0.484	0.030	24.11	24.50	0.710	21.9°C
G6-L33 tested at the worst position of G6-L22 from report No.: SYBH(Z-SAR)015022014-2 with battery 1#									
Right Hand Touched	4182/836.4	RMC	0.605	0.450	-0.020	24.11	24.50	0.662	21.9°C
G6-L33 tested at the worst position of G6-L22 from report No.: SYBH(Z-SAR)015022014-2 with battery 2#									
Right Hand Touched	4182/836.4	RMC	0.613	0.455	0.010	24.11	24.50	0.671	21.9°C

Table 32: Head SAR test results of UMTS Band V

Test Position of Body-Worn with 15mm	Test channel /Frequency	Test Mode	SAR Value (W/kg)		Power Drift (dB)	Conducted Power (dBm)	Tune-up Power (dBm)	Scaled SAR _{1-g} (W/kg)	Liquid Temp.
			1-g	10-g					
The data of G6-L22 from report No.: SYBH(Z-SAR)015022014-2									
Front Side	4182/836.4	RMC	0.709	0.541	-0.030	24.11	24.50	0.776	21.8°C
Back Side	4233/846.6	RMC	0.825	0.622	0.060	24.14	24.50	0.896	21.8°C
Back Side-repeated*	4233/846.6	RMC	0.817	0.618	0.060	24.14	24.50	0.888	21.8°C
Back Side	4182/836.4	RMC	0.809	0.614	0.000	24.11	24.50	0.885	21.8°C
Back Side	4132/826.4	RMC	0.822	0.624	0.000	24.17	24.50	0.887	21.8°C
Tested at worst position with the battery 2#									
Back Side	4233/846.6	RMC	0.800	0.606	-0.010	24.14	24.50	0.869	21.8°C
G6-L33 tested at the worst position of G6-L22 from report No.: SYBH(Z-SAR)015022014-2 with battery 1#									
Back Side	4233/846.6	RMC	0.746	0.565	-0.040	24.14	24.50	0.810	21.8°C
G6-L33 tested at the worst position of G6-L22 from report No.: SYBH(Z-SAR)015022014-2 with battery 2#									
Back Side	4233/846.6	RMC	0.736	0.557	-0.070	24.14	24.50	0.800	21.8°C

Table 33: Body-Worn SAR test results of UMTS Band V

Test Position of Hotspot with 10mm	Test channel /Frequency	Test Mode	SAR Value (W/kg)		Power Drift (dB)	Conducted Power (dBm)	Tune-up Power (dBm)	Scaled SAR _{1-g} (W/kg)	Liquid Temp.
			1-g	10-g					
The data of G6-L22 from report No.: SYBH(Z-SAR)015022014-2									
Front Side	4233/846.6	RMC	0.815	0.625	0.060	24.14	24.50	0.885	21.8°C
Front Side	4182/836.4	RMC	0.773	0.598	-0.010	24.11	24.50	0.846	21.8°C
Front Side	4132/826.4	RMC	0.791	0.610	0.050	24.17	24.50	0.853	21.8°C
Back Side	4233/846.6	RMC	0.950	0.724	0.130	24.14	24.50	1.032	21.8°C
Back Side-repeated*	4233/846.6	RMC	0.944	0.721	0.000	24.14	24.50	1.026	21.8°C
Back Side	4182/836.4	RMC	0.914	0.697	0.070	24.11	24.50	1.000	21.8°C
Back Side	4132/826.4	RMC	0.937	0.714	0.100	24.17	24.50	1.011	21.8°C
Left Side	4182/836.4	RMC	0.581	0.399	0.040	24.11	24.50	0.636	21.8°C
Right Side	4233/846.6	RMC	0.873	0.602	0.150	24.14	24.50	0.948	21.8°C
Right Side	4182/836.4	RMC	0.897	0.619	0.050	24.11	24.50	0.981	21.8°C
Right Side	4132/826.4	RMC	0.873	0.604	0.020	24.17	24.50	0.942	21.8°C
Bottom Side	4182/836.4	RMC	0.184	0.109	0.130	24.11	24.50	0.201	21.8°C
Tested at worst position with the battery 2#									
Back Side	4233/846.6	RMC	0.926	0.705	0.100	24.14	24.50	1.006	21.8°C
G6-L33 tested at the worst position of G6-L22 from report No.: SYBH(Z-SAR)015022014-2 with battery 1#									
Back Side	4233/846.6	RMC	0.854	0.649	-0.010	24.14	24.50	0.928	21.8°C
G6-L33 tested at the worst position of G6-L22 from report No.: SYBH(Z-SAR)015022014-2 with battery 2#									
Back Side	4233/846.6	RMC	0.824	0.628	0.020	24.14	24.50	0.895	21.8°C

Table 34: Hotspot SAR test results of UMTS Band V

Note: * - repeated at the highest SAR measurement according to the FCC KDB 865664

7.2.2 SAR measurement Result of UMTS Band IV

Test Position of Head	Test channel /Frequency	Test Mode	SAR Value (W/kg)		Power Drift (dB)	Conducted Power (dBm)	Tune-up Power (dBm)	Scaled SAR _{1-g} (W/kg)	Liquid Temp.
			1-g	10-g					
Test data with the battery 1#									
Left Hand Touched	1413/1732.6	RMC	0.531	0.347	0.180	22.97	24.20	0.705	21.7°C
Left Hand Tilted 15°	1413/1732.6	RMC	0.361	0.224	0.020	22.97	24.20	0.479	21.7°C
Right Hand Touched	1513/1752.6	RMC	0.643	0.410	0.040	23.09	24.20	0.830	21.7°C
Right Hand Touched	1413/1732.6	RMC	0.643	0.410	0.010	22.97	24.20	0.854	21.7°C
Right Hand Touched	1312/1712.4	RMC	0.624	0.403	0.000	23.00	24.20	0.823	21.7°C
Right Hand Tilted 15°	1413/1732.6	RMC	0.221	0.143	0.020	22.97	24.20	0.293	21.7°C
Tested at worst position with the battery 2#									
Right Hand Touched	1413/1732.6	RMC	0.657	0.420	0.050	22.97	24.20	0.872	21.7°C

Table 35: Head SAR test results of UMTS Band IV

Test Position of Body-Worn with 15mm	Test channel /Frequency	Test Mode	SAR Value (W/kg)		Power Drift (dB)	Conducted Power (dBm)	Tune-up Power (dBm)	Scaled SAR _{1-g} (W/kg)	Liquid Temp.
			1-g	10-g					
Test data with the battery 1#									
Front Side	1513/1752.6	RMC	0.600	0.379	0.020	23.09	24.20	0.775	21.3°C
Front Side	1413/1732.6	RMC	0.653	0.414	-0.080	22.97	24.20	0.867	21.3°C
Front Side	1312/1712.4	RMC	0.639	0.405	-0.040	23.00	24.20	0.842	21.3°C
Back Side	1513/1752.6	RMC	0.707	0.439	0.050	23.09	24.20	0.913	21.3°C
Back Side	1413/1732.6	RMC	0.688	0.432	0.110	22.97	24.20	0.913	21.3°C
Back Side	1312/1712.4	RMC	0.712	0.466	-0.010	23.00	24.20	0.939	21.3°C
Tested at worst position with the battery 2#									
Back Side	1312/1712.4	RMC	0.716	0.499	-0.050	23.00	24.20	0.944	21.3°C

Table 36: Body-Worn SAR test results of UMTS Band IV

Test Position of Hotspot with 10mm	Test channel /Frequency	Test Mode	SAR Value (W/kg)		Power Drift (dB)	Conducted Power (dBm)	Tune-up Power (dBm)	Scaled SAR1-g (W/kg)	Liquid Temp.
			1-g	10-g					
Test data with the battery 1#									
Front Side	1513/1752.6	RMC	1.010	0.619	0.030	23.09	24.20	1.304	21.3°C
Front Side	1413/1732.6	RMC	0.996	0.612	0.010	22.97	24.20	1.322	21.3°C
Front Side	1312/1712.4	RMC	1.040	0.645	-0.020	23.00	24.20	1.371	21.3°C
Back Side	1513/1752.6	RMC	1.070	0.633	-0.110	23.09	24.20	1.382	21.3°C
Back Side-repeated*	1513/1752.6	RMC	1.070	0.639	-0.080	23.09	24.20	1.382	21.3°C
Back Side	1413/1732.6	RMC	1.010	0.610	0.080	22.97	24.20	1.341	21.3°C
Back Side	1312/1712.4	RMC	1.030	0.626	0.060	23.00	24.20	1.358	21.3°C
Left Side	1413/1732.6	RMC	0.257	0.152	0.170	22.97	24.20	0.341	21.3°C
Right Side	1413/1732.6	RMC	0.278	0.165	0.110	22.97	24.20	0.369	21.3°C
Bottom Side	1513/1752.6	RMC	0.877	0.474	-0.150	23.09	24.20	1.132	21.3°C
Bottom Side	1413/1732.6	RMC	0.818	0.447	0.060	22.97	24.20	1.086	21.3°C
Bottom Side	1312/1712.4	RMC	0.805	0.439	-0.050	23.00	24.20	1.061	21.3°C
Tested at worst position with the battery 2#									
Back Side	1513/1752.6	RMC	1.050	0.631	0.010	23.09	24.20	1.356	21.3°C

Table 37: Hotspot SAR test results of UMTS Band IV

Note: * - repeated at the highest SAR measurement according to the FCC KDB 865664

7.2.3 SAR measurement Result of UMTS Band II

Test Position of Head	Test channel /Frequency	Test Mode	SAR Value (W/kg)		Power Drift (dB)	Conducted Power (dBm)	Tune-up Power (dBm)	Scaled SAR _{1-g} (W/kg)	Liquid Temp.
			1-g	10-g					
Test data with the battery 1#									
Left Hand Touched	9400/1880	RMC	0.512	0.020	0.020	23.35	24.50	0.667	21.5°C
Left Hand Tilted 15°	9400/1880	RMC	0.326	0.199	0.060	23.35	24.50	0.425	21.5°C
Right Hand Touched	9400/1880	RMC	0.553	0.349	0.120	23.35	24.50	0.721	21.5°C
Right Hand Tilted 15°	9400/1880	RMC	0.232	0.139	0.060	23.35	24.50	0.302	21.5°C
Tested at worst position with the battery 2#									
Right Hand Touched	9400/1880	RMC	0.555	0.351	0.110	23.35	24.50	0.723	21.5°C

Table 38: Head SAR test results of UMTS Band II

Test Position of Body-Worn with 15mm	Test channel /Frequency	Test Mode	SAR Value (W/kg)		Power Drift (dB)	Conducted Power (dBm)	Tune-up Power (dBm)	Scaled SAR _{1-g} (W/kg)	Liquid Temp.
			1-g	10-g					
Test data with the battery 1#									
Front Side	9400/1880	RMC	0.515	0.314	-0.140	23.35	24.50	0.671	21.3°C
Back Side	9400/1880	RMC	0.585	0.341	0.010	23.35	24.50	0.762	21.3°C
Tested at worst position with the battery 2#									
Back Side	9400/1880	RMC	0.541	0.318	0.020	23.35	24.50	0.705	21.3°C

Table 39: Body-Worn SAR test results of UMTS Band II

Test Position of Hotspot with 10mm	Test channel /Frequency	Test Mode	SAR Value (W/kg)		Power Drift (dB)	Conducted Power (dBm)	Tune-up Power (dBm)	Scaled SAR1-g (W/kg)	Liquid Temp.
			1-g	10-g					
Test data with the battery 1#									
Front Side	9538/1907.6	RMC	0.981	0.557	-0.010	23.47	24.50	1.244	21.3°C
Front Side	9400/1880	RMC	0.957	0.550	-0.110	23.35	24.50	1.247	21.3°C
Front Side	9262/1852.4	RMC	0.990	0.580	-0.150	23.60	24.50	1.218	21.3°C
Back Side	9538/1907.6	RMC	1.100	0.597	0.010	23.47	24.50	1.394	21.3°C
Back Side-repeated*	9538/1907.6	RMC	1.120	0.606	0.060	23.47	24.50	1.420	21.3°C
Back Side	9400/1880	RMC	1.020	0.564	0.000	23.35	24.50	1.329	21.3°C
Back Side	9262/1852.4	RMC	1.050	0.599	0.020	23.60	24.50	1.292	21.3°C
Left Side	9400/1880	RMC	0.215	0.125	0.150	23.35	24.50	0.280	21.3°C
Right Side	9400/1880	RMC	0.296	0.174	0.190	23.35	24.50	0.386	21.3°C
Bottom Side	9538/1907.6	RMC	0.947	0.516	0.110	23.47	24.50	1.200	21.3°C
Bottom Side	9400/1880	RMC	0.910	0.499	0.190	23.35	24.50	1.186	21.3°C
Bottom Side	9262/1852.4	RMC	0.893	0.492	0.050	23.60	24.50	1.099	21.3°C
Tested at worst position with the battery 2#									
Back Side	9538/1907.6	RMC	1.090	0.594	0.110	23.47	24.50	1.382	21.3°C

Table 40: Hotspot SAR test results of UMTS Band II

Note: * - repeated at the highest SAR measurement according to the FCC KDB 865664

7.2.4 SAR measurement Result of LTE Band II

Test Position of Head	Test channel /Frequency	Test Mode	SAR Value (W/kg)		Power Drift (dB)	Conducted Power (dBm)	Tune-up Power (dBm)	Scaled SAR _{1-g} (W/kg)	Liquid Temp.
			1-g	10-g					
Test data with the battery 1#									
QPSK 1RB									
Left Hand Touched	18700/1860	20M QPSK 1RB#50	0.489	0.310	0.030	23.25	24.00	0.581	21.3°C
Left Hand Tilted 15°	18700/1860	20M QPSK 1RB#50	0.364	0.226	0.110	23.25	24.00	0.433	21.3°C
Right Hand Touched	18700/1860	20M QPSK 1RB#50	0.647	0.409	0.060	23.25	24.00	0.769	21.3°C
Right Hand Tilted 15°	18700/1860	20M QPSK 1RB#50	0.284	0.173	0.030	23.25	24.00	0.338	21.3°C
QPSK 50%RB									
Left Hand Touched	18700/1860	20M QPSK 50%RB#50	0.390	0.249	0.170	22.23	23.00	0.466	21.3°C
Left Hand Tilted 15°	18700/1860	20M QPSK 50%RB#50	0.283	0.174	0.020	22.23	23.00	0.338	21.3°C
Right Hand Touched	18700/1860	20M QPSK 50%RB#50	0.514	0.324	0.170	22.23	23.00	0.614	21.3°C
Right Hand Tilted 15°	18700/1860	20M QPSK 50%RB#50	0.222	0.136	0.070	22.23	23.00	0.265	21.3°C
Tested at worst position with the battery 2#									
Right Hand Touched	18700/1860	20M QPSK 1RB#50	0.647	0.412	0.160	23.25	24.00	0.769	21.3°C

Table 41: Head SAR test results of LTE Band II

Test Position of Body-Worn with 15mm	Test channel /Frequency	Test Mode	SAR Value (W/kg)		Power Drift (dB)	Conducted Power (dBm)	Tune-up Power (dBm)	Scaled SAR _{1-g} (W/kg)	Liquid Temp.
			1-g	10-g					
Test data with the battery 1#									
QPSK 1RB									
Front Side	18700/1860	20M QPSK 1RB#50	0.485	0.308	0.120	23.25	24.00	0.576	21.3°C
Back Side	18700/1860	20M QPSK 1RB#50	0.571	0.362	0.010	23.25	24.00	0.679	21.3°C
QPSK 50%RB									
Front Side	18700/1860	20M QPSK 50%RB#50	0.383	0.243	0.170	22.23	23.00	0.457	21.3°C
Back Side	18700/1860	20M QPSK 50%RB#50	0.451	0.282	-0.040	22.23	23.00	0.538	21.3°C
Tested at worst position with the battery 2#									
Back Side	18700/1860	20M QPSK 1RB#50	0.552	0.348	0.040	23.25	24.00	0.656	21.3°C

Table 42: Body-Worn SAR test results of LTE Band II

Test Position of Hotspot with 10mm	Test channel /Frequency	Test Mode	SAR Value (W/kg)		Power Drift (dB)	Conducted Power (dBm)	Tune-up Power (dBm)	Scaled SAR1-g (W/kg)	Liquid Temp.
			1-g	10-g					
Test data with the battery 1#									
QPSK 1RB									
Front Side	19100/1900	20M QPSK 1RB#99	0.927	0.536	0.060	23.23	24.00	1.107	21.3°C
Front Side	18900/1880	20M QPSK 1RB#0	0.859	0.509	0.180	23.13	24.00	1.050	21.3°C
Front Side	18700/1860	20M QPSK 1RB#50	0.883	0.528	0.090	23.25	24.00	1.049	21.3°C
Back Side	19100/1900	20M QPSK 1RB#99	1.190	0.642	-0.080	23.23	24.00	1.421	21.3°C
Back Side-repeated*	19100/1900	20M QPSK 1RB#99	1.190	0.633	-0.090	23.23	24.00	1.421	21.3°C
Back Side	18900/1880	20M QPSK 1RB#0	1.070	0.596	-0.090	23.13	24.00	1.307	21.3°C
Back Side	18700/1860	20M QPSK 1RB#50	1.100	0.635	0.060	23.25	24.00	1.307	21.3°C
Left Side	18700/1860	20M QPSK 1RB#50	0.258	0.154	0.020	23.25	24.00	0.307	21.3°C
Right Side	18700/1860	20M QPSK 1RB#50	0.308	0.184	0.060	23.25	24.00	0.366	21.3°C
Bottom Side	19100/1900	20M QPSK 1RB#99	0.964	0.530	-0.080	23.23	24.00	1.151	21.3°C
Bottom Side	18900/1880	20M QPSK 1RB#0	0.903	0.503	-0.010	23.13	24.00	1.103	21.3°C
Bottom Side	18700/1860	20M QPSK 1RB#50	0.980	0.549	-0.190	23.25	24.00	1.165	21.3°C
QPSK 50%RB									
Front Side	19100/1900	20M QPSK 50%RB#25	0.660	0.381	0.100	22.18	23.00	0.797	21.3°C
Front Side	18900/1880	20M QPSK 50%RB#0	0.650	0.382	0.130	22.11	23.00	0.798	21.3°C
Front Side	18700/1860	20M QPSK 50%RB#50	0.691	0.411	0.020	22.23	23.00	0.825	21.3°C
Back Side	19100/1900	20M QPSK 50%RB#25	0.897	0.487	0.080	22.18	23.00	1.083	21.3°C
Back Side	18900/1880	20M QPSK 50%RB#0	0.868	0.481	-0.050	22.11	23.00	1.065	21.3°C
Back Side	18700/1860	20M QPSK 50%RB#50	0.871	0.491	0.000	22.23	23.00	1.040	21.3°C
Left Side	18700/1860	20M QPSK 50%RB#50	0.198	0.118	0.100	22.23	23.00	0.236	21.3°C
Right Side	18700/1860	20M QPSK 50%RB#50	0.244	0.145	0.050	22.23	23.00	0.291	21.3°C
Bottom Side	19100/1900	20M QPSK 50%RB#25	0.729	0.402	-0.030	22.18	23.00	0.880	21.3°C
Bottom Side	18900/1880	20M QPSK 50%RB#0	0.759	-0.050	-0.050	22.11	23.00	0.932	21.3°C
Bottom Side	18700/1860	20M QPSK 50%RB#50	0.764	0.427	-0.070	22.23	23.00	0.912	21.3°C



QPSK 100%RB									
Front Side	18700/1860	20M QPSK 100%RB#0	0.679	0.403	0.050	22.28	23.00	0.801	21.3°C
Back Side	18700/1860	20M QPSK 100%RB#0	0.788	0.451	-0.080	22.28	23.00	0.930	21.3°C
Bottom Side	18700/1860	20M QPSK 100%RB#0	0.748	0.415	-0.160	22.28	23.00	0.883	21.3°C
Tested at worst position with the battery 2#									
Back Side	19100/1900	20M QPSK 1RB#99	1.090	0.590	0.020	23.23	24.00	1.301	21.3°C

Table 43: Hotspot SAR test results of LTE Band II

Note: * - repeated at the highest SAR measurement according to the FCC KDB 865664

7.2.5 SAR measurement Result of LTE Band IV

Test Position of Head	Test channel /Frequency	Test Mode	SAR Value (W/kg)		Power Drift (dB)	Conduct ed Power (dBm)	Tune-up Power (dBm)	Scaled SAR _{1-g} (W/kg)	Liquid Temp.
			1-g	10-g					
Test data with the battery 1#									
QPSK 1RB									
Left Hand Touched	20300/1745	20M QPSK 1RB#50	0.584	0.377	-0.040	23.33	24.00	0.681	21.3°C
Left Hand Tilted 15°	20300/1745	20M QPSK 1RB#50	0.430	0.269	0.020	23.33	24.00	0.502	21.3°C
Right Hand Touched	20300/1745	20M QPSK 1RB#50	0.672	0.438	-0.040	23.33	24.00	0.784	21.3°C
Right Hand Tilted 15°	20300/1745	20M QPSK 1RB#50	0.264	0.170	0.160	23.33	24.00	0.308	21.3°C
QPSK 50%RB									
Left Hand Touched	20300/1745	20M QPSK 50%RB#50	0.490	0.315	0.020	22.52	23.00	0.547	21.3°C
Left Hand Tilted 15°	20300/1745	20M QPSK 50%RB#50	0.322	0.202	0.040	22.52	23.00	0.360	21.3°C
Right Hand Touched	20300/1745	20M QPSK 50%RB#50	0.539	0.349	0.010	22.52	23.00	0.602	21.3°C
Right Hand Tilted 15°	20300/1745	20M QPSK 50%RB#50	0.249	0.151	0.070	22.52	23.00	0.278	21.3°C
Tested at worst position with the battery 2#									
Right Hand Touched	20300/1745	20M QPSK 1RB#50	0.782	0.514	0.060	23.33	24.00	0.912	21.3°C
Right Hand Touched	20175/1732.5	20M QPSK 1RB#50	0.777	0.510	0.040	23.32	24.00	0.909	21.3°C
Right Hand Touched	20050/1720	20M QPSK 1RB#0	0.762	0.501	0.060	23.23	24.00	0.910	21.3°C

Table 44: Head SAR test results of LTE Band IV

Test Position of Body-Worn with 15mm	Test channel /Frequency	Test Mode	SAR Value (W/kg)		Power Drift (dB)	Conduc ted Power (dBm)	Tune-up Power (dBm)	Scaled SAR _{1-g} (W/kg)	Liquid Temp.
			1-g	10-g					
Test data with the battery 1#									
QPSK 1RB									
Front Side	20300/1745	20M QPSK 1RB#50	0.637	0.405	-0.040	23.33	24.00	0.743	21.3°C
Back Side	20300/1745	20M QPSK 1RB#50	0.649	0.409	0.020	23.33	24.00	0.757	21.3°C
QPSK 50%RB									
Front Side	20300/1745	20M QPSK 50%RB#50	0.511	0.324	0.030	22.52	23.00	0.571	21.3°C
Back Side	20300/1745	20M QPSK 50%RB#50	0.515	0.323	-0.120	22.52	23.00	0.575	21.3°C
Tested at worst position with the battery 2#									
Back Side	20300/1745	20M QPSK 1RB#50	0.650	0.408	-0.010	23.33	24.00	0.758	21.3°C

Table 45: Body-Worn SAR test results of LTE Band IV



Test Position of Hotspot with 10mm	Test channel /Frequency	Test Mode	SAR Value (W/kg)		Power Drift (dB)	Conducted Power (dBm)	Tune-up Power (dBm)	Scaled SAR1-g (W/kg)	Liquid Temp.
			1-g	10-g					
Test data with the battery 1#									
QPSK 1RB									
Front Side	20300/1745	20M QPSK 1RB#50	1.120	0.685	-0.090	23.33	24.00	1.307	21.3°C
Front Side-repeated*	20300/1745	20M QPSK 1RB#50	1.130	0.700	0.040	23.33	24.00	1.318	21.3°C
Front Side	20175/1732.5	20M QPSK 1RB#50	1.110	0.685	-0.050	23.32	24.00	1.298	21.3°C
Front Side	20050/1720	20M QPSK 1RB#0	1.070	0.666	0.020	23.23	24.00	1.278	21.3°C
Back Side	20300/1745	20M QPSK 1RB#50	1.060	0.632	0.050	23.33	24.00	1.237	21.3°C
Back Side	20175/1732.5	20M QPSK 1RB#50	1.060	0.633	-0.010	23.32	24.00	1.240	21.3°C
Back Side	20050/1720	20M QPSK 1RB#0	1.040	0.621	-0.060	23.23	24.00	1.242	21.3°C
Left Side	20300/1745	20M QPSK 1RB#50	0.337	0.191	0.090	23.33	24.00	0.393	21.3°C
Right Side	20300/1745	20M QPSK 1RB#50	0.279	0.161	0.090	23.33	24.00	0.326	21.3°C
Bottom Side	20300/1745	20M QPSK 1RB#50	0.869	0.476	0.130	23.33	24.00	1.014	21.3°C
Bottom Side	20175/1732.5	20M QPSK 1RB#50	0.784	0.429	-0.050	23.32	24.00	0.917	21.3°C
Bottom Side	20050/1720	20M QPSK 1RB#0	0.718	0.395	0.000	23.23	24.00	0.857	21.3°C
QPSK 50%RB									
Front Side	20300/1745	20M QPSK 50%RB#50	0.933	0.577	0.000	22.52	23.00	1.042	21.3°C
Front Side	20175/1732.5	20M QPSK 50%RB#50	0.920	0.569	0.040	22.40	23.00	1.056	21.3°C
Front Side	20050/1720	20M QPSK 50%RB#50	0.877	0.543	0.020	22.26	23.00	1.040	21.3°C
Back Side	20300/1745	20M QPSK 50%RB#50	0.895	0.546	0.030	22.52	23.00	1.000	21.3°C
Back Side	20175/1732.5	20M QPSK 50%RB#50	0.900	0.549	0.110	22.40	23.00	1.033	21.3°C
Back Side	20050/1720	20M QPSK 50%RB#50	0.872	0.531	-0.020	22.26	23.00	1.034	21.3°C
Left Side	20300/1745	20M QPSK 50%RB#50	0.281	0.159	0.060	22.52	23.00	0.314	21.3°C
Right Side	20300/1745	20M QPSK 50%RB#50	0.227	0.129	0.080	22.52	23.00	0.254	21.3°C
Bottom Side	20300/1745	20M QPSK 50%RB#50	0.705	0.386	0.010	22.52	23.00	0.787	21.3°C
Bottom Side	20175/1732.5	20M QPSK 50%RB#50	0.647	0.354	0.010	22.40	23.00	0.743	21.3°C
Bottom Side	20050/1720	20M QPSK 50%RB#50	0.608	0.334	0.000	22.26	23.00	0.721	21.3°C

QPSK 100%RB									
Front Side	20300/1745	20M QPSK 100%RB#0	0.933	0.575	0.100	22.49	23.00	1.049	21.3°C
Back Side	20300/1745	20M QPSK 100%RB#0	0.976	0.594	0.190	22.49	23.00	1.098	21.3°C
Bottom Side	20300/1745	20M QPSK 100%RB#0	0.762	0.420	-0.120	22.49	23.00	0.857	21.3°C
Tested at worst position with the battery 2#									
Front Side	20175/1732.5	20M QPSK 1RB#50	1.080	0.670	-0.010	23.25	24.00	1.284	21.3°C

Table 46: Hotspot SAR test results of LTE Band IV

Note: * - repeated at the highest SAR measurement according to the FCC KDB 865664

7.2.6 SAR measurement Result of LTE Band VII

Test Position of Head	Test channel /Frequency	Test Mode	SAR Value (W/kg)		Power Drift (dB)	Conducted Power (dBm)	Tune-up Power (dBm)	Scaled SAR _{1-g} (W/kg)	Liquid Temp.
			1-g	10-g					
The data of G6-L22 from report No.: SYBH(Z-SAR)015022014-2									
Test data with the battery 1#									
1RB									
Left Hand Touched	21100/2535	20M QPSK 1RB#50	0.464	0.253	0.190	22.52	23.00	0.518	21.4°C
Left Hand Tilted 15°	21100/2535	20M QPSK 1RB#50	0.127	0.068	0.120	22.52	23.00	0.142	21.4°C
Right Hand Touched	21100/2535	20M QPSK 1RB#50	0.189	0.102	0.150	22.52	23.00	0.211	21.4°C
Right Hand Tilted 15°	21100/2535	20M QPSK 1RB#50	0.092	0.050	0.160	22.52	23.00	0.102	21.4°C
50%RB									
Left Hand Touched	21100/2535	20M QPSK 50%RB#0	0.389	0.211	-0.180	21.57	22.00	0.429	21.4°C
Left Hand Tilted 15°	21100/2535	20M QPSK 50%RB#0	0.100	0.054	0.170	21.57	22.00	0.110	21.4°C
Right Hand Touched	21100/2535	20M QPSK 50%RB#0	0.156	0.083	0.040	21.57	22.00	0.172	21.4°C
Right Hand Tilted 15°	21100/2535	20M QPSK 50%RB#0	0.074	0.041	0.060	21.57	22.00	0.082	21.4°C
Tested at worst position with the battery 2#									
Left Hand Touched	21100/2535	20M QPSK 1RB#50	0.452	0.239	-0.130	22.52	23.00	0.505	21.4°C
G6-L33 tested at the worst position of G6-L22 from report No.: SYBH(Z-SAR)015022014-2 with battery 1#									
Left Hand Touched	21100/2535	20M QPSK 1RB#50	0.468	0.247	-0.110	22.52	23.00	0.523	21.4°C
G6-L33 tested at the worst position of G6-L22 from report No.: SYBH(Z-SAR)015022014-2 with battery 2#									
Left Hand Touched	21100/2535	20M QPSK 1RB#50	0.468	0.247	-0.110	22.52	23.00	0.523	21.4°C

Table 47: Head SAR test results of LTE Band VII

Test Position of Body-Worn with 15mm	Test channel /Frequency	Test Mode	SAR Value (W/kg)		Power Drift (dB)	Conducted Power (dBm)	Tune-up Power (dBm)	Scaled SAR _{1-g} (W/kg)	Liquid Temp.
			1-g	10-g					
The data of G6-L22 from report No.: SYBH(Z-SAR)015022014-2									
Test data with the battery 1#									
QPSK 1RB									
Front Side	21350/2560	20M QPSK 1RB#0	0.894	0.456	0.140	22.24	23.00	1.065	21.4°C
Front Side	21100/2535	20M QPSK 1RB#50	0.858	0.440	0.140	22.52	23.00	0.958	21.4°C
Front Side	20850/2510	20M QPSK 1RB#99	0.894	0.462	0.190	22.41	23.00	1.024	21.4°C
Back Side	21350/2560	20M QPSK 1RB#0	1.080	0.545	-0.110	22.24	23.00	1.287	21.4°C
Back Side	21100/2538	20M QPSK 1RB#50	0.959	0.488	0.120	22.52	23.00	1.071	21.4°C
Back Side	20850/2510	20M QPSK 1RB#99	0.985	0.504	0.010	22.41	23.00	1.128	21.4°C
QPSK 50%RB									
Front Side	21100/2535	20M QPSK 50%RB#0	0.642	0.330	0.150	21.57	22.00	0.709	21.4°C
Back Side	21350/2560	20M QPSK 50%RB#0	0.853	0.431	0.160	21.16	22.00	1.035	21.4°C
Back Side	21100/2535	20M QPSK 50%RB#0	0.814	0.414	0.050	21.57	22.00	0.899	21.4°C
Back Side	20850/2510	20M QPSK 50%RB#50	0.680	0.354	0.110	21.38	22.00	0.784	21.4°C
QPSK 100%RB									
Front Side	21100/2535	20M QPSK 100%RB#0	0.560	0.291	0.130	21.55	22.00	0.621	21.4°C
Back Side	21100/2535	20M QPSK 100%RB#0	0.738	0.378	0.100	21.55	22.00	0.819	21.4°C
Tested at worst position with the battery 2#									
Back Side	21350/2560	20M QPSK 1RB#0	1.150	0.586	0.140	22.24	23.00	1.370	21.4°C
Back Side-repeated*	21350/2560	20M QPSK 1RB#0	1.140	0.560	-0.160	22.24	23.00	1.358	21.4°C
G6-L33 tested at the worst position of G6-L22 from report No.: SYBH(Z-SAR)015022014-2 with battery 1#									
Back Side	21350/2560	20M QPSK 1RB#0	0.983	0.499	0.110	22.24	23.00	1.171	21.4°C
G6-L33 tested at the worst position of G6-L22 from report No.: SYBH(Z-SAR)015022014-2 with battery 2#									
Back Side	21350/2560	20M QPSK 1RB#0	1.010	0.511	0.020	22.24	23.00	1.203	21.4°C

Table 48: Body-Worn SAR test results of LTE Band VII

Note: * - repeated at the highest SAR measurement according to the FCC KDB 865664

Test Position of Hotspot with 10mm	Test channel /Frequency	Test Mode	SAR Value (W/kg)		Power Drift (dB)	Conducted Power (dBm)	Tune-up Power (dBm)	Scaled SAR1-g (W/kg)	Liquid Temp.
			1-g	10-g					
The data of G6-L22 from report No.: SYBH(Z-SAR)015022014-2									
Test data with the battery 1#									
QPSK 1RB									
Front Side	21100/2535	20M QPSK 1RB#50	0.386	0.189	0.080	17.53	19.00	0.541	21.4°C
Back Side	21350/2560	20M QPSK 1RB#0	0.667	0.310	-0.090	17.51	19.00	0.940	21.4°C
Back Side	21100/2535	20M QPSK 1RB#50	0.589	0.278	0.100	17.53	19.00	0.826	21.4°C
Back Side	20850/2510	20M QPSK 1RB#50	0.636	0.297	0.150	17.31	19.00	0.939	21.4°C
Left Side	21100/2536	20M QPSK 1RB#50	0.081	0.044	0.180	17.53	19.00	0.114	21.4°C
Right Side	21100/2537	20M QPSK 1RB#50	0.028	0.015	0.140	17.53	19.00	0.039	21.4°C
Bottom Side	21100/2538	20M QPSK 1RB#50	0.490	0.241	-0.110	17.53	19.00	0.687	21.4°C
QPSK 50%RB									
Front Side	21350/2560	20M QPSK 50%RB#0	0.424	0.199	0.190	18.02	19.00	0.531	21.4°C
Back Side	21350/2560	20M QPSK 50%RB#0	0.685	0.319	0.140	18.02	19.00	0.858	21.4°C
Back Side	21100/2535	20M QPSK 50%RB#25	0.661	0.308	0.020	17.54	19.00	0.925	21.4°C
Back Side	20850/2510	20M QPSK 50%RB#0	0.647	0.304	-0.070	17.43	19.00	0.929	21.4°C
Left Side	21350/2560	20M QPSK 50%RB#0	0.072	0.039	0.130	18.02	19.00	0.090	21.4°C
Right Side	21350/2560	20M QPSK 50%RB#0	0.060	0.032	0.050	18.02	19.00	0.075	21.4°C
Bottom Side	21350/2560	20M QPSK 50%RB#0	0.487	0.240	0.050	18.02	19.00	0.610	21.4°C
QPSK 100%RB									
Back Side	21100/2535	20M QPSK 100%RB#0	0.531	0.250	-0.190	17.48	19.00	0.754	21.4°C
Tested at worst position with the battery 2#									
Back Side	21350/2560	20M QPSK 1RB#0	0.573	0.267	0.070	17.51	19.00	0.808	21.4°C
G6-L33 tested at the worst position of G6-L22 from report No.: SYBH(Z-SAR)015022014-2 with battery 1#									
Back Side	21350/2560	20M QPSK 1RB#0	0.506	0.235	0.140	17.51	19.00	0.713	21.4°C
G6-L33 tested at the worst position of G6-L22 from report No.: SYBH(Z-SAR)015022014-2 with battery 2#									
Back Side	21350/2560	20M QPSK 1RB#0	0.499	0.234	0.120	17.51	19.00	0.703	21.4°C

Table 49: Hotspot SAR test results of LTE Band VII

7.2.7 SAR measurement Result of WiFi 2.4G

Test Position of Head	Test channel /Frequency	Test Mode	SAR Value (W/kg)		Power Drift (dB)	Conducte d Power (dBm)	Tune-up Power (dBm)	Scaled SAR _{1-g} (W/kg)	Liquid Temp.
			1-g	10-g					
The data of G6-L22 from report No.: SYBH(Z-SAR)015022014-2									
Test data with the battery 1#									
Left Hand Touched	6/2437	802.11 b	0.181	0.092	0.100	16.66	18.00	0.246	21.5°C
Left Hand Tilted 15°	6/2437	802.11 b	0.202	0.103	-0.070	16.66	18.00	0.275	21.5°C
Right Hand Touched	6/2437	802.11 b	0.275	0.126	0.050	16.66	18.00	0.374	21.5°C
Right Hand Tilted 15°	6/2437	802.11 b	0.246	0.112	0.090	16.66	18.00	0.335	21.5°C
Tested at worst position with the battery 2#									
Right Hand Touched	6/2437	802.11 b	0.408	0.185	0.070	16.66	18.00	0.555	21.5°C
G6-L33 tested at the worst position of G6-L22 from report No.: SYBH(Z-SAR)015022014-2 with battery 1#									
Right Hand Touched	6/2437	802.11 b	0.475	0.219	0.060	16.66	18.00	0.647	21.5°C
G6-L33 tested at the worst position of G6-L22 from report No.: SYBH(Z-SAR)015022014-2 with battery 2#									
Right Hand Touched	6/2437	802.11 b	0.477	0.221	0.100	16.66	18.00	0.649	21.5°C

Table 50: Head SAR test results of WiFi 2450MHz

Test Position of Body-Worn with 15mm	Test channel /Frequency	Test Mode	SAR Value (W/kg)		Power Drift (dB)	Conduct ed Power (dBm)	Tune-up Power (dBm)	Scaled SAR _{1-g} (W/kg)	Liquid Temp.
			1-g	10-g					
The data of G6-L22 from report No.: SYBH(Z-SAR)015022014-2									
Test data with the battery 1#									
Front Side	6/2437	802.11 b	0.054	0.031	0.190	16.66	18.00	0.074	21.3°C
Back Side	6/2437	802.11 b	0.077	0.044	0.040	16.66	18.00	0.105	21.3°C
Tested at worst position with the battery 2#									
Back Side	6/2437	802.11 b	0.080	0.045	0.070	16.66	18.00	0.109	21.3°C
G6-L33 tested at the worst position of G6-L22 from report No.: SYBH(Z-SAR)015022014-2 with battery 1#									
Back Side	6/2437	802.11 b	0.078	0.044	-0.020	16.66	18.00	0.106	21.3°C
G6-L33 tested at the worst position of G6-L22 from report No.: SYBH(Z-SAR)015022014-2 with battery 2#									
Back Side	6/2437	802.11 b	0.075	0.043	-0.070	16.66	18.00	0.102	21.3°C

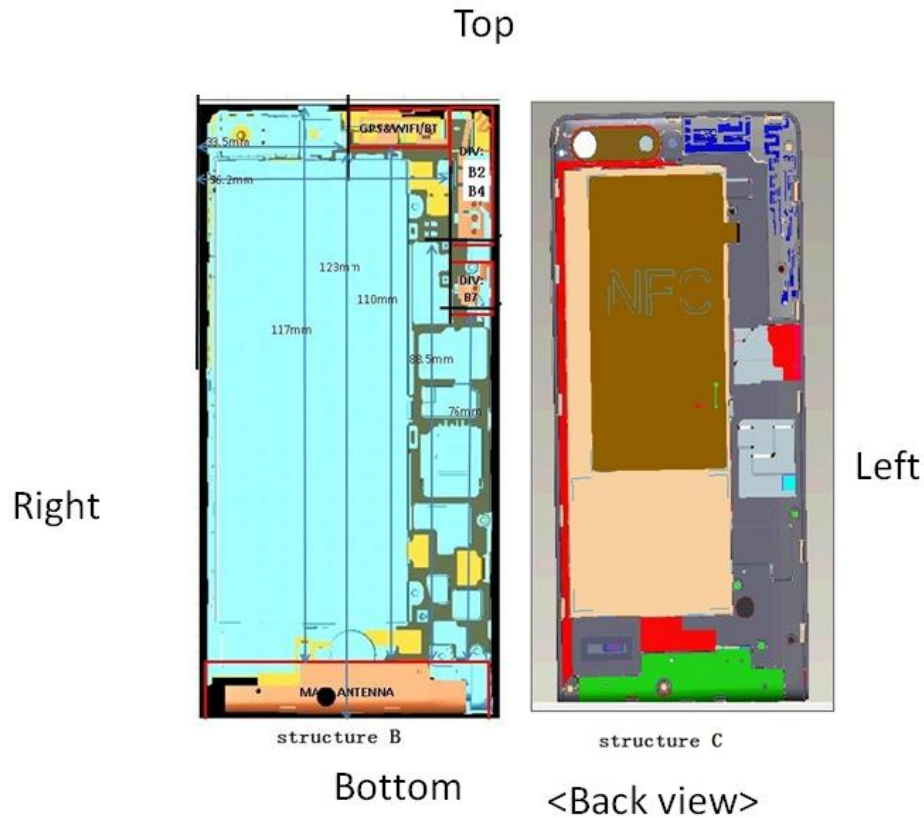
Table 51: Body-Worn SAR test results of WiFi 2450MHz

Test Position of Hotspot with 10mm	Test channel /Frequency	Test Mode	SAR Value (W/kg)		Power Drift (dB)	Conducted Power (dBm)	Tune-up Power (dBm)	Scaled SAR _{1-g} (W/kg)	Liquid Temp.
			1-g	10-g					
The data of G6-L22 from report No.: SYBH(Z-SAR)015022014-2									
Test data with the battery 1#									
Front Side	6/2437	802.11 b	0.098	0.053	-0.040	16.66	18.00	0.133	21.3°C
Back Side	6/2437	802.11 b	0.167	0.084	0.150	16.66	18.00	0.227	21.3°C
Left Side	6/2437	802.11 b	0.047	0.026	0.160	16.66	18.00	0.064	21.3°C
Top Side	6/2437	802.11 b	0.123	0.063	0.080	16.66	18.00	0.167	21.3°C
Tested at worst position with the battery 2#									
Back Side	6/2437	802.11 b	0.187	0.093	0.100	16.66	18.00	0.255	21.3°C
G6-L33 tested at the worst position of G6-L22 from report No.: SYBH(Z-SAR)015022014-2 with battery 1#									
Back Side	6/2437	802.11 b	0.186	0.088	0.160	16.66	18.00	0.253	21.3°C
G6-L33 tested at the worst position of G6-L22 from report No.: SYBH(Z-SAR)015022014-2 with battery 2#									
Back Side	6/2437	802.11 b	0.211	0.096	0.180	16.66	18.00	0.287	21.3°C

Table 52: Hotspot SAR test results of WiFi 2450MHz

7.3 Multiple Transmitter Evaluation

The following tables list information which is relevant for the decision if a simultaneous transmit evaluation is necessary according to FCC KDB 447498D01 General RF Exposure Guidance v05r02. The location of the antennas inside mobile phone is shown as below picture:



Note:

- 1) Diversity antenna is used to improve the acceptance of performance of the main antenna, does not have a transmitter function.
- 2) This DUT has NFC operation. The NFC antenna is integrated onto the C cover. The SAR tests were performed with the C cover. Per KDB648474D04v01r02, Phones with built-in NFC, wireless charging or similar functions that do not require separate SAR testing for these specific capabilities can generally be tested according to the SAR measurement procedures normally required for the phone. Influences of the hardware introduced by these built-in accessories and functions are inherently considered through testing of the other transmitters that require SAR evaluation.

Mode	Exposure Condition	Front Side	Back Side	Left Side	Right Side	Top Side	Bottom Side
GSM/UMTS/LTE	Hotspot	Yes	Yes	Yes	Yes	NO	Yes
WiFi 2.4G	Hotspot	Yes	Yes	Yes	NO	Yes	NO

Table 53: Sides for SAR testing

Note: Per KDB 941225 D06, particular DUT edges were not required to be evaluated for Hotspot SAR if the antenna-to-edge distance is greater than 2.5cm.

7.3.1 Stand-alone SAR test exclusion

Per FCC KDB 447498D01v05, the 1-g SAR and 10-g SAR test exclusion thresholds for 100 MHz to 6 GHz at test separation distances ≤ 50 mm are determined by:

$[(\text{max. power of channel, including tune-up tolerance, mW}) / (\text{min. test separation distance, mm})] \cdot [\sqrt{f(\text{GHz})}] \leq 3.0$ for 1-g SAR and ≤ 7.5 for 10-g extremity SAR, where:

- $f(\text{GHz})$ is the RF channel transmit frequency in GHz
- Power and distance are rounded to the nearest mW and mm before calculation
- The result is rounded to one decimal place for comparison

When the minimum test separation distance is < 5 mm, a distance of 5 mm is applied to determine SAR test exclusion.

Mode	Position	P_{max} (dBm)*	P_{max} (mW)	Distance (mm)	f (GHz)	Calculation Result	SAR Exclusion threshold	SAR test exclusion
BT	Body-Worn	9.00	7.94	15	2.450	0.83	3.00	Yes

Table 54: Standalone SAR test exclusion for BT

Note:

- 1)* - maximum possible output power declared by manufacturer
- 2) Held to ear configurations are not applicable to Bluetooth for this device.

When standalone SAR test exclusion applies to an antenna that transmits simultaneously with other antennas, the standalone SAR must be estimated according to following to determine simultaneous transmission SAR test exclusion:

$(\text{max. power of channel, including tune-up tolerance, mW}) / (\text{min. test separation distance, mm}) \cdot [\sqrt{f(\text{GHz})} / x] \text{ W/kg}$ for test separation distances ≤ 50 mm, where $x = 7.5$ for 1-g SAR and $x = 18.75$ for 10-g SAR.

When the minimum test separation distance is < 5 mm, a distance of 5 mm is applied to determine SAR test exclusion

Mode	Position	P_{max} (dBm)*	P_{max} (mW)	Distance (mm)	f (GHz)	X	Estimated SAR (W/Kg)*
BT	Body-worn	9.00	7.94	15	2.450	7.5	0.111

Table 55: Estimated SAR calculation for BT

Note: * - maximum possible output power declared by manufacturer

7.3.2 Simultaneous Transmission Possibilities

Per FCC KDB 447498D01v05 r02, SAR compliance for simultaneous transmission must be considered when the maximum duration of overlapping transmissions, including network hand-offs, is greater than 30 seconds. This device contains multiple transmitters that may operate simultaneously, and therefore requires a simultaneous transmission analysis.

The Simultaneous Transmission Possibilities of this device are as below:

No.	Configuration	Head	Body-worn	Hotspot
1	GSM 850/1900(Voice) + WiFi 2.4G	Yes	Yes	N/A
2	GPRS/EDGE 850/1900 (DATA) + WiFi 2.4G	N/A	N/A	Yes
3	GSM 850/1900(Voice) +BT	N/A	Yes	N/A
4	UMTS 850/1700/1900(Voice) + WiFi 2.4G	Yes	Yes	N/A
5	UMTS 850/1700/1900 (DATA) + WiFi 2.4G	N/A	Yes	Yes
6	UMTS 850/1700/1900 (Voice)+BT	N/A	Yes	N/A
7	UMTS 850/1700/1900 (DATA) +BT	N/A	Yes	N/A
8	LTE Band II/IV/VII (DATA) + WiFi 2.4G	Yes*	Yes*	Yes
9	LTE Band II/IV/VII (DATA) + BT	N/A	Yes*	N/A

Table 56: Simultaneous Transmission Possibilities

Note:

- i)* VOIP 3rd party applications may possibly be installed and used by the end user.
- ii) Wi-Fi 2.4G and Bluetooth share the same antenna and can't transmit simultaneously.
- iii) 2G&3G&4G share the same antenna and can't transmit simultaneously.
- iv) The device does not support DTM function.
- v) Held to ear configurations are not applicable to Bluetooth and therefore were not considered for simultaneous transmission.

7.3.3 SAR Summation Scenario

Test Position		Scaled SAR _{Max}		ΣSAR	SPLSR	Remark
		GSM850	WiFi			
Head	Left Hand Touched	0.693	0.246	0.939	N/A	N/A
	Left Hand Tilted 15°	0.516	0.275	0.791	N/A	N/A
	Right Hand Touched	0.844	0.649	1.493	N/A	N/A
	Right Hand Tilted 15°	0.593	0.335	0.928	N/A	N/A
Body-Worn	Front Side	0.870	0.074	0.944	N/A	N/A
	Back Side	0.988	0.109	1.097	N/A	N/A
Hotspot	Front Side	1.055	0.133	1.188	N/A	N/A
	Back Side	1.234	0.287	1.521	N/A	N/A
	Left Side	0.789	0.064	0.853	N/A	N/A
	Right Side	1.135	/	1.135	N/A	N/A
	Top Side	/	0.167	0.167	N/A	N/A
	Bottom Side	0.229	/	0.229	N/A	N/A

Table 57: Simultaneous Tx Combination of GSM850 and WiFi.

Test Position		Scaled SAR _{Max}		ΣSAR	SPLSR	Remark
		GSM1900	WiFi			
Head	Left Hand Touched	0.328	0.246	0.574	N/A	N/A
	Left Hand Tilted 15°	0.218	0.275	0.493	N/A	N/A
	Right Hand Touched	0.407	0.649	1.056	N/A	N/A
	Right Hand Tilted 15°	0.149	0.335	0.484	N/A	N/A
Body-Worn	Front Side	0.300	0.074	0.374	N/A	N/A
	Back Side	0.374	0.109	0.483	N/A	N/A
Hotspot	Front Side	0.716	0.133	0.849	N/A	N/A
	Back Side	0.936	0.287	1.223	N/A	N/A
	Left Side	0.166	0.064	0.230	N/A	N/A
	Right Side	0.190	/	0.190	N/A	N/A
	Top Side	/	0.167	0.167	N/A	N/A
	Bottom Side	0.794	/	0.794	N/A	N/A

Table 58: Simultaneous Tx Combination of GSM1900 and WiFi.

Test Position		Scaled SAR _{Max}		ΣSAR	SPLSR	Remark
		UMTS Band V	WiFi			
Head	Left Hand Touched	0.639	0.246	0.885	N/A	N/A
	Left Hand Tilted 15°	0.502	0.275	0.777	N/A	N/A
	Right Hand Touched	0.741	0.649	1.390	N/A	N/A
	Right Hand Tilted 15°	0.497	0.335	0.832	N/A	N/A
Body-Worn	Front Side	0.776	0.074	0.850	N/A	N/A
	Back Side	0.896	0.109	1.005	N/A	N/A
Hotspot	Front Side	0.885	0.133	1.018	N/A	N/A
	Back Side	1.032	0.287	1.319	N/A	N/A
	Left Side	0.636	0.064	0.700	N/A	N/A
	Right Side	0.981	/	0.981	N/A	N/A
	Top Side	/	0.167	0.167	N/A	N/A
	Bottom Side	0.201	/	0.201	N/A	N/A

Table 59: Simultaneous Tx Combination of UMTS Band V and WiFi.

Test Position		Scaled SAR _{Max}		ΣSAR	SPLSR	Remark
		UMTS Band IV	WiFi			
Head	Left Hand Touched	0.705	0.246	0.951	N/A	N/A
	Left Hand Tilted 15°	0.479	0.275	0.754	N/A	N/A
	Right Hand Touched	0.872	0.649	1.521	N/A	N/A
	Right Hand Tilted 15°	0.293	0.335	0.628	N/A	N/A
Body-Worn	Front Side	0.867	0.074	0.941	N/A	N/A
	Back Side	0.944	0.109	1.053	N/A	N/A
Hotspot	Front Side	1.371	0.133	1.504	N/A	N/A
	Back Side	1.382	0.253	See Note*	0.018	Battery 1#
	Back Side	1.356	0.287	See Note*	0.018	Battery 2#
	Left Side	0.341	0.064	0.405	N/A	N/A
	Right Side	0.369	/	0.369	N/A	N/A
	Top Side	/	0.167	0.167	N/A	N/A
Bottom Side	1.132	/	1.132	N/A	N/A	

Table 60: Simultaneous Tx Combination of UMTS Band IV and WiFi.

Test Position		Scaled SAR _{Max}		ΣSAR	SPLSR	Remark
		UMTS Band II	WiFi			
Head	Left Hand Touched	0.667	0.246	0.913	N/A	N/A
	Left Hand Tilted 15°	0.425	0.275	0.700	N/A	N/A
	Right Hand Touched	0.723	0.649	1.372	N/A	N/A
	Right Hand Tilted 15°	0.302	0.335	0.637	N/A	N/A
Body-Worn	Front Side	0.671	0.074	0.745	N/A	N/A
	Back Side	0.762	0.109	0.871	N/A	N/A
Hotspot	Front Side	1.247	0.133	1.380	N/A	N/A
	Back Side	1.420	0.253	See Note*	0.019	Battery 1#
	Back Side	1.382	0.287	See Note*	0.019	Battery 2#
	Left Side	0.280	0.064	0.344	N/A	N/A
	Right Side	0.386	/	0.386	N/A	N/A
	Top Side	/	0.167	0.167	N/A	N/A
	Bottom Side	1.200	/	1.200	N/A	N/A

Table 61: Simultaneous Tx Combination of UMTS Band II and WiFi.

Test Position		Scaled SAR _{Max}		ΣSAR	SPLSR	Remark
		LTE Band II	WiFi			
Head	Left Hand Touched	0.581	0.246	0.827	N/A	N/A
	Left Hand Tilted 15°	0.433	0.275	0.708	N/A	N/A
	Right Hand Touched	0.769	0.649	1.418	N/A	N/A
	Right Hand Tilted 15°	0.338	0.335	0.673	N/A	N/A
Body-Worn	Front Side	0.576	0.074	0.650	N/A	N/A
	Back Side	0.679	0.109	0.788	N/A	N/A
Hotspot	Front Side	1.107	0.133	1.240	N/A	N/A
	Back Side	1.421	0.253	See Note*	0.019	Battery 1#
	Back Side	1.301	0.287	1.588	N/A	Battery 2#
	Left Side	0.307	0.064	0.371	N/A	N/A
	Right Side	0.366	/	0.366	N/A	N/A
	Top Side	/	0.167	0.167	N/A	N/A
	Bottom Side	1.165	/	1.165	N/A	N/A

Table 62: Simultaneous Tx Combination LTE Band II and WiFi.

Test Position		Scaled SAR _{Max}		ΣSAR	SPLSR	Remark
		LTE Band IV	WiFi			
Head	Left Hand Touched	0.681	0.246	0.927	N/A	N/A
	Left Hand Tilted 15°	0.502	0.275	0.777	N/A	N/A
	Right Hand Touched	0.912	0.649	1.561	N/A	N/A
	Right Hand Tilted 15°	0.308	0.335	0.643	N/A	N/A
Body-Worn	Front Side	0.743	0.074	0.817	N/A	N/A
	Back Side	0.758	0.109	0.867	N/A	N/A
Hotspot	Front Side	1.318	0.133	1.451	N/A	N/A
	Back Side	1.242	0.287	1.529	N/A	N/A
	Left Side	0.393	0.064	0.457	N/A	N/A
	Right Side	0.326	/	0.326	N/A	N/A
	Top Side	/	0.167	0.167	N/A	N/A
	Bottom Side	1.014	/	1.014	N/A	N/A

Table 63: Simultaneous Tx Combination LTE Band IV and WiFi.

Test Position		Scaled SAR _{Max}		ΣSAR	SPLSR	Remark
		LTE Band VII	WiFi			
Head	Left Hand Touched	0.523	0.246	0.769	N/A	N/A
	Left Hand Tilted 15°	0.142	0.275	0.417	N/A	N/A
	Right Hand Touched	0.211	0.649	0.860	N/A	N/A
	Right Hand Tilted 15°	0.102	0.335	0.437	N/A	N/A
Body-Worn	Front Side	1.065	0.074	1.139	N/A	N/A
	Back Side	1.370	0.109	1.479	N/A	N/A
Hotspot	Front Side	0.541	0.133	0.674	N/A	N/A
	Back Side	0.940	0.287	1.217	N/A	N/A
	Left Side	0.114	0.064	0.178	N/A	N/A
	Right Side	0.075	/	0.075	N/A	N/A
	Top Side	/	0.167	0.167	N/A	N/A
	Bottom Side	0.687	/	0.687	N/A	N/A

Table 64: Simultaneous Tx Combination LTE Band VII and WiFi.

Test Position		Scaled SAR _{Max}		ΣSAR	SPLSR	Remark
		GSM850	BT			
Body-Worn	Front Side	0.870	0.111	0.981	N/A	N/A
	Back Side	0.988	0.111	1.099	N/A	N/A

Table 65: Simultaneous Tx Combination of GSM850 and BT.

Test Position		Scaled SAR _{Max}		ΣSAR	SPLSR	Remark
		GSM1900	BT			
Body-Worn	Front Side	0.300	0.111	0.411	N/A	N/A
	Back Side	0.374	0.111	0.485	N/A	N/A

Table 66: Simultaneous Tx Combination of GSM1900 and BT.

Test Position		Scaled SAR _{Max}		ΣSAR	SPLSR	Remark
		UMTS Band V	BT			
Body-Worn	Front Side	0.776	0.111	0.887	N/A	N/A
	Back Side	0.896	0.111	1.007	N/A	N/A

Table 67: Simultaneous Tx Combination of UMTS Band V and BT.

Test Position		Scaled SAR _{Max}		ΣSAR	SPLSR	Remark
		UMTS Band IV	BT			
Body-Worn	Front Side	0.867	0.111	0.978	N/A	N/A
	Back Side	0.944	0.111	1.055	N/A	N/A

Table 68: Simultaneous Tx Combination of UMTS Band IV and BT.

Test Position		Scaled SAR _{Max}		ΣSAR	SPLSR	Remark
		UMTS Band II	BT			
Body-Worn	Front Side	0.671	0.111	0.782	N/A	N/A
	Back Side	0.762	0.111	0.873	N/A	N/A

Table 69: Simultaneous Tx Combination of UMTS Band II and BT.

Test Position		Scaled SAR _{Max}		ΣSAR	SPLSR	Remark
		LTE Band II	BT			
Body-Worn	Front Side	0.576	0.111	0.687	N/A	N/A
	Back Side	0.679	0.111	0.790	N/A	N/A

Table 70: Simultaneous Tx Combination of LTE Band II and BT.

Test Position		Scaled SAR _{Max}		ΣSAR	SPLSR	Remark
		LTE Band IV	BT			
Body-Worn	Front Side	0.743	0.111	0.854	N/A	N/A
	Back Side	0.758	0.111	0.869	N/A	N/A

Table 71: Simultaneous Tx Combination of LTE Band IV and BT.

Test Position		Scaled SAR _{Max}		ΣSAR	SPLSR	Remark
		LTE Band VII	BT			
Body-Worn	Front Side	1.065	0.111	1.176	N/A	N/A
	Back Side	1.370	0.111	1.481	N/A	N/A

Table 72: Simultaneous Tx Combination of LTE Band VII and BT.

Note:

- 1) *-No evaluation was performed to determine the aggregate 1g SAR for these configurations as the SAR to peak location separation ratio(SPLSR) between the antenna pairs was below 0.04 per FCC KDB447498 D01v05r02. See Section 7.3.4 for detailed SPLSR analysis.
- 2) When SAR to peak location separation ratio is applied to determine simultaneous transmission SAR test exclusion, the highest of the reported stand-alone SAR and estimated SAR is used per KDB690783D01.

7.3.4 SPLSR Evaluation Analysis

According to KDB447498 D01v05, When the sum of SAR is larger than the limit, SAR test exclusion is determined by the SAR to peak location separation ratio(SPLSR).When the SAR to peak location ratio for each pair of antennas is $\leq 1\text{-g } 0.04$ and $10\text{-g } 0.10$, simultaneous SAR evaluation is not required. When SAR is measured for both antennas in the pair, the peak location separation distance is computed by the following fomula:

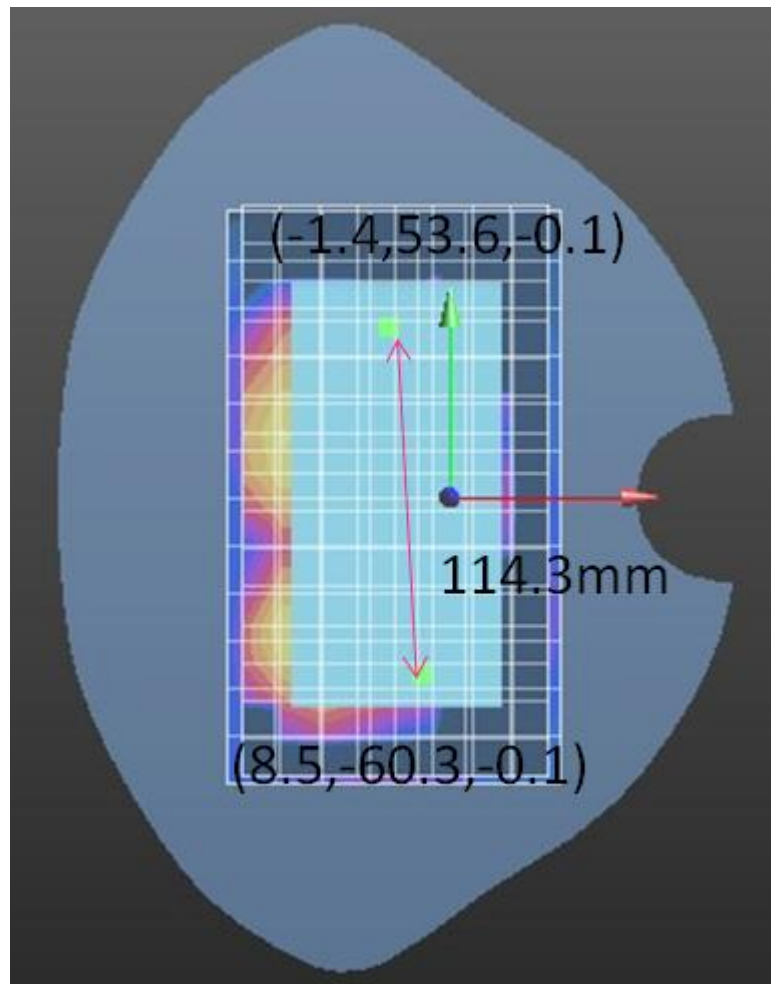
$$\text{Distance}_{\text{Tx1-Tx2}} = R_i = \sqrt{(x_1 - x_2)^2 + (y_1 - y_2)^2 + (z_1 - z_2)^2}$$

$$\text{SPLS Ratio} = (\text{SAR}_1 + \text{SAR}_2)^{1.5} / R_i$$

When standalone test exclusion applies, SAR is estimated; the peak location is assumed to be at the feed-point or geometric center of the antenna.

- 1) The sum of aggregate 1-g SAR was above 1.6W/kg for Back Side configuration with UMTS Band IV and WiFi with battery 1#.

The Peak SAR location plot is as below:

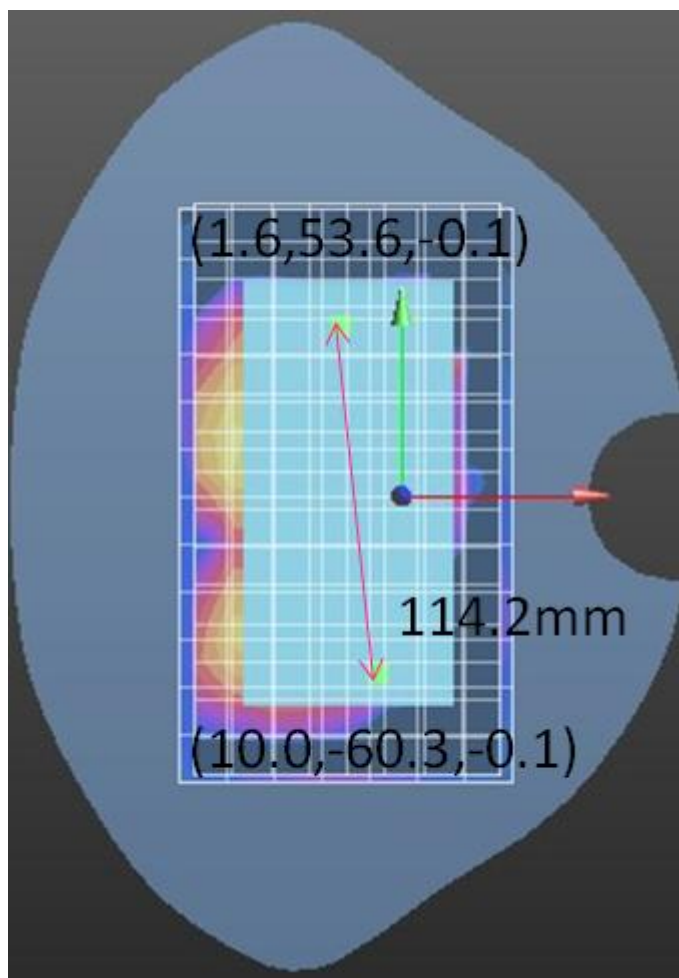


The SAR to peak location ratio calculation is as below:

Test Position	UMTS Band IV (W/kg)	WiFi (W/kg)	Ri(mm)	SPLSR	Ratio Limit	Simultaneous SAR
Back Side	1.382	0.253	114.3	0.018	0.04	Not required

2) The sum of aggregate 1-g SAR was above 1.6W/kg for Back Side configuration with UMTS Band IV and WiFi with battery 2#.

The Peak SAR location plot is as below:

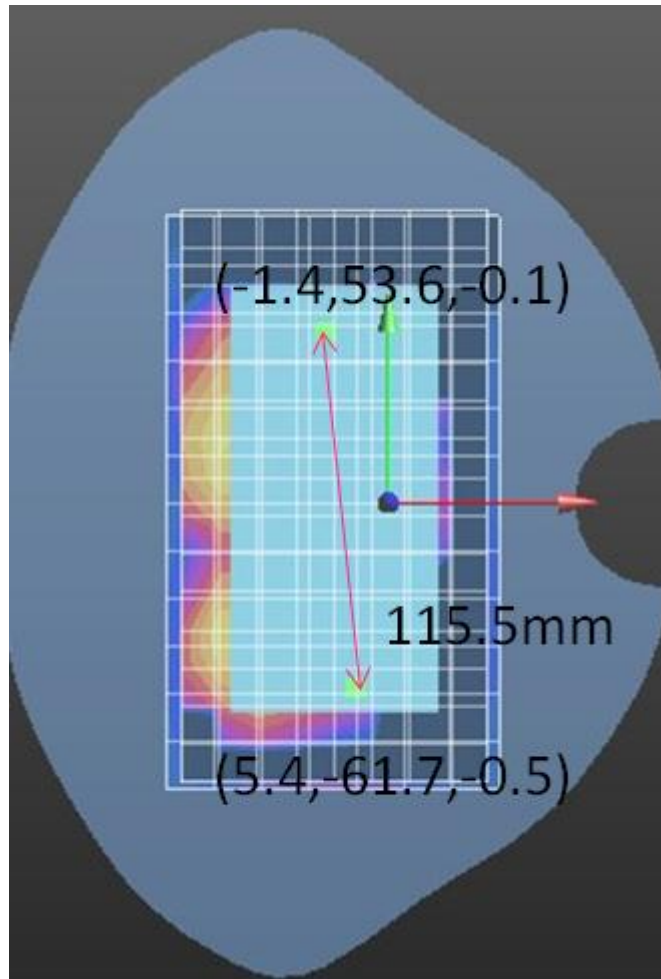


The SAR to peak location ratio calculation is as below:

Test Position	UMTS Band IV (W/kg)	WiFi (W/kg)	Ri(mm)	SPLSR	Ratio Limit	Simultaneous SAR
Back Side	1.356	0.287	114.2	0.018	0.04	Not required

3) The sum of aggregate 1-g SAR was above 1.6W/kg for Back Side configuration with UMTS Band II and WiFi with battery 1#.

The Peak SAR location plot is as below:

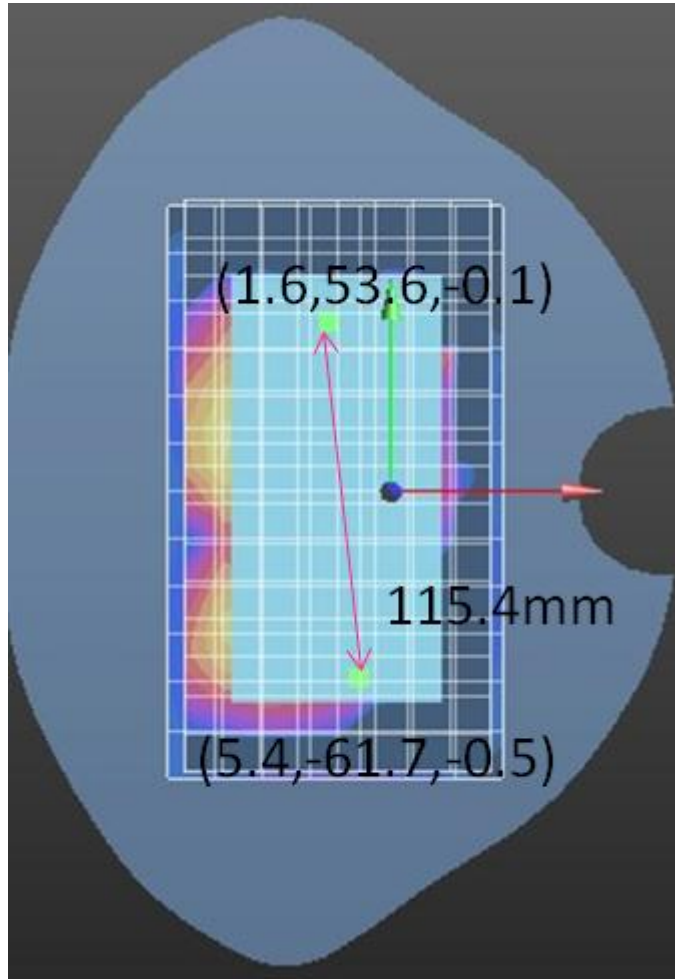


The SAR to peak location ratio calculation is as below:

Test Position	UMTS Band II (W/kg)	WiFi (W/kg)	Ri(mm)	SPLSR	Ratio Limit	Simultaneous SAR
Back Side	1.420	0.253	115.5	0.019	0.04	Not required

4) The sum of aggregate 1-g SAR was above 1.6W/kg for Back Side configuration with UMTS Band II and WiFi with battery 2#.

The Peak SAR location plot is as below:

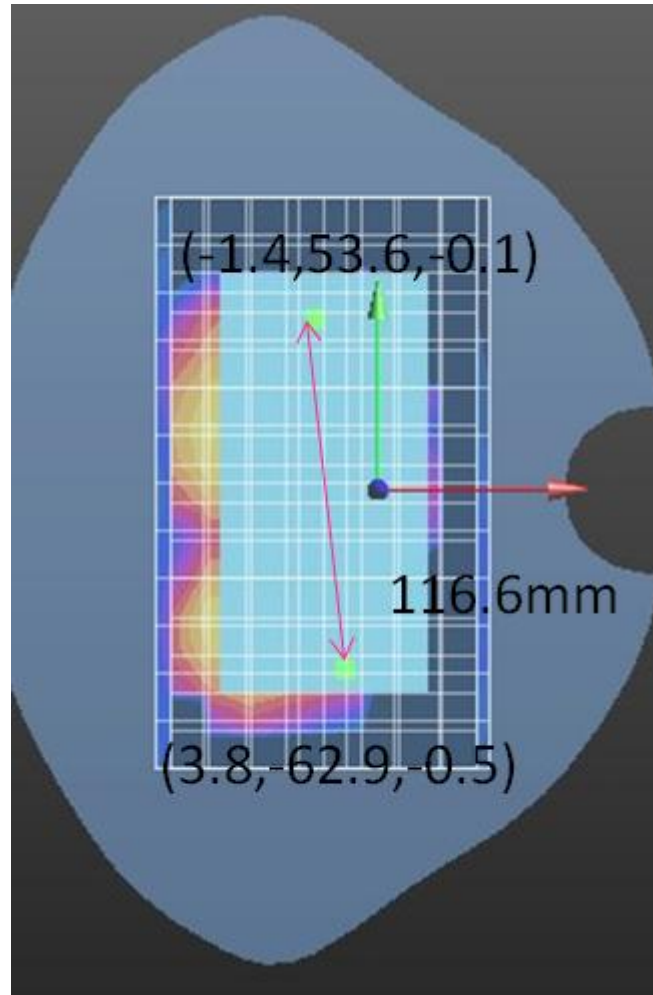


The SAR to peak location ratio calculation is as below:

Test Position	UMTS Band II (W/kg)	WiFi (W/kg)	Ri(mm)	SPLSR	Ratio Limit	Simultaneous SAR
Back Side	1.382	0.287	115.4	0.019	0.04	Not required

5) The sum of aggregate 1-g SAR was above 1.6W/kg for Back Side configuration with LTE Band II and WiFi with battery 1#.

The Peak SAR location plot is as below:



The SAR to peak location ratio calculation is as below:

Test Position	LTE Band II (W/kg)	WiFi (W/kg)	Ri(mm)	SPLSR	Ratio Limit	Simultaneous SAR
Back Side	1.421	0.253	116.6	0.019	0.04	Not required



7.3.5 Simultaneous Transmission Conclusion

The above numeral summed SAR results and SPLSR analysis is sufficient to determine that simultaneous transmission cases will not exceed the SAR limit and therefore simultaneous transmission SAR with Volume Scans is not required per KDB 447498 D01v05r02



Appendix A. System Check Plots
(Pls See Appendix A.)

Appendix B. SAR Measurement Plots
(Pls See Appendix B.)

Appendix C. Calibration Certificate
(Pls See Appendix C.)

Appendix D. Photo documentation
(Pls See Appendix D.)

End