



## Label and Label Location of ERS-B19&ERS-B29

### Label Location:

ERS-B19&ERS-B29 has e-label, which was as follow:

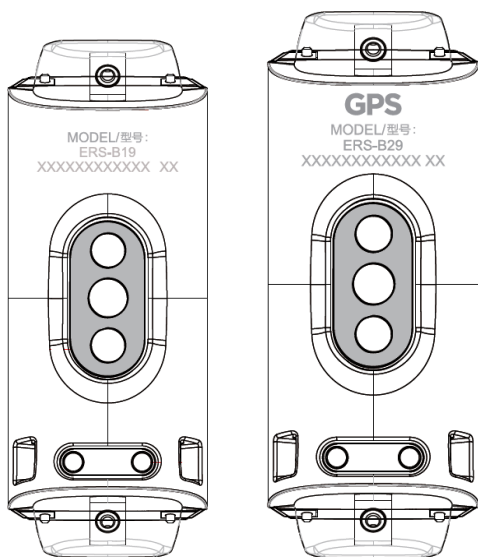
ERS-B19&ERS-B29  
FCC ID:QISERS-B29  
IC: 6369A-ERSB29  
e-label

FCC ID:QISERS-B29

IC:6369A-ERSB29 CAN ICES-3 (B)/NMB-3(B)

Knock the screen four times with your knuckle, and press and hold the touch-sensitive button to view the E-label screen.

physical label on the product and packaging:





Huawei Sport Band GPS Version  
Model: ERS-B29  
WristBand color: XXXX

S/N: 0123456789123456

0 000000 000000

Huawei Sport Band  
Model: ERS-B19  
WristBand color: XXXX

S/N: 0123456789123456

0 000000 000000