



Full

TEST REPORT

No. I20D00046-SRD06

For

Client: Gemalto M2M GmbH

Production: LTE Data-Only SMT World-Module

Model Name: PLS62-W

FCC ID: QIPPLS62-W

IC ID: 7830A-PLS62W

Hardware Version: B2.1

Software Version: 01.000

Issued date: 2020-04-13

NOTE

1. The test results in this test report relate only to the devices specified in this report.
2. This report shall not be reproduced except in full without the written approval of East China Institute of Telecommunications.
3. For the test results, the uncertainty of measurement is not taken into account when judging the compliance with specification, and the results of measurement or the average value of measurement results are taken as the criterion of the compliance with specification directly.

Test Laboratory:

East China Institute of Telecommunications

Add: Block No.4, No.766, Jingang Road, Pudong District, Shanghai, P. R. China

Tel: +86 21 63843300

E-Mail: welcome@ecit.org.cn

Revision Version

Report Number	Revision	Date	Memo
I20D00046-SRD06	00	2020-04-13	Initial creation of test report

CONTENTS

1.	TEST LABORATORY	6
1.1.	TESTING LOCATION	6
1.2.	TESTING ENVIRONMENT	6
1.3.	PROJECT DATA	6
1.4.	SIGNATURE	6
2.	CLIENT INFORMATION	7
2.1.	APPLICANT INFORMATION	7
2.2.	MANUFACTURER INFORMATION	7
3.	EQUIPMENT UNDER TEST (EUT) AND ANCILLARY EQUIPMENT (AE)	8
3.1.	ABOUT EUT	8
3.2.	INTERNAL IDENTIFICATION OF EUT USED DURING THE TEST	8
3.3.	INTERNAL IDENTIFICATION OF AE USED DURING THE TEST	8
4.	REFERENCE DOCUMENTS.....	9
4.1.	REFERENCE DOCUMENTS FOR TESTING	9
5.	TEST RESULTS.....	10
5.1.	SUMMARY OF TEST RESULTS.....	10
5.2.	STATEMENTS.....	10
6.	TEST EQUIPMENT UTILIZED	11
7.	TEST ENVIRONMENT	12
8.	MEASUREMENT UNCERTAINTY	13
ANNEX A.	MEASUREMENT RESULTS.....	14
ANNEX A.1.	EMISSION LIMIT.....	14
ANNEX B.	DEVIATIONS FROM PRESCRIBED TEST METHODS.....	17
ANNEX C.	DETAILED TEST RESULTS	18
ANNEX C.1.	MAIN TERMS	18

ANNEX C.2. TERMS USED IN CONDITION COLUMN	18
ANNEX C.3. TERMS USED IN VERDICT COLUMN.....	18
ANNEX C.4. TERMS USED IN NOTE COLUMN	18
ANNEX D. ACCREDITATION CERTIFICATE.....	19

1. Test Laboratory

1.1. Testing Location

Company Name	ECIT Shanghai, East China Institute of Telecommunications
Address	Block No.4, No.766, Jingang Road, Pudong District, Shanghai, P. R. China
Postal Code	201206
Telephone	(+86)-021-63843300
FCC registration No	CN1177

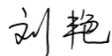
1.2. Testing Environment

Normal Temperature	15°C-35°C
Relative Humidity	25%-75%

1.3. Project data

Project Leader	Zhou Yan
Testing Start Date	2020-04-02
Testing End Date	2020-04-03

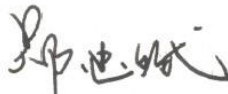
1.4. Signature



Liu Yan
(Prepared this test report)



Fan Songyan
(Reviewed this test report)



Zheng Zhongbin
(Approved this test report)

2. Client Information

2.1. Applicant Information

Company Name	Gemalto M2M GmbH
Address	Gemalto M2M GmbH, Siemensdamm 50, 13629 Berlin, Germany
Telephone	+861059378342
Postcode	/

2.2. Manufacturer Information

Company Name	Gemalto M2M GmbH
Address	Gemalto M2M GmbH, Siemensdamm 50, 13629 Berlin, Germany
Telephone	+861059378342
Postcode	/

3. Equipment Under Test (EUT) and Ancillary Equipment (AE)

3.1. About EUT

Production	LTE Data-Only SMT World-Module
Model name	PLS62-W
LTE Frequency Band	Band 2/4/5/7/12
Extreme Temperature	-10/+55°C
Nominal Voltage	3.8V
Extreme High Voltage	4.5V
Extreme Low Voltage	3.0V

Note:

- a. Photographs of EUT are shown in ANNEX A of this test report.
- b. The value of the antenna gain is provided by the customer. For specific antenna information, please check the antenna specifications of the customer.

3.2. Internal Identification of EUT used during the test

EUT ID*	SN or IMEI	HW Version	SW Version	Date of receipt
N01	/	B2.1	01.000	2020-04-01

*EUT ID: is used to identify the test sample in the lab internally.

3.3. Internal Identification of AE used during the test

AE ID*	Description	SN
AE1	RF cable	---

*AE ID: is used to identify the test sample in the lab internally.

4. Reference Documents

4.1. Reference Documents for testing

The following documents listed in this section are referred for testing.

Reference	Title	Version
FCC Part 2	FREQUENCY ALLOCATIONS AND RADIO TREATY MATTERS; GENERAL RULES AND REGULATIONS	2018-10-01
FCC Part 22	PUBLIC MOBILE SERVICES	2018-10-01
FCC Part 24	PERSONAL COMMUNICATIONS SERVICES	2018-10-01
FCC Part 27	MISCELLANEOUS WIRELESS COMMUNICATIONS SERVICES	2018-10-01
ANSI/TIA-603-E	Land Mobile FM or PM Communications Equipment Measurement and Performance Standards	2016
ANSI C63.26	American National Standard of Procedures for Compliance Testing of Licensed Transmitters Used in Licensed Radio	2015
KDB 971168 D01	Measurement Guidance for Certification of Licensed Digital Transmitters	v03r01
RSS 199	Broadband Radio Service (BRS) Equipment Operating in the Band 2500–2690 MHz	2016-12
RSS GEN	General Requirements for Compliance of Radio Apparatus	2019-03

5. Test Results

5.1. Summary of Test Results

LTE Band 7

Items	Test Name	Clause in FCC rules	Clause in IC rules RSS-Gen and RSS- 199	Section in this report	Verdict
1	Emission Limit	27.53(m), 2.1051	6.6	A.2	P

Note: please refer to Annex C in this test report for the detailed test results.

The following terms are used in the above table.

P	Pass,the EUT complies with the essential requirements in the standard.
NM	Not measure, the test was not measured by ECIT.
NA	Not applicable, the test was not applicable.
F	Fail, the EUT does not comply with the essential requirements in the standard.

5.2. Statements

The PLS62-W is a new product for testing.

In this report, we only retest and report the worst radiation emission case. The other test results please refer to report No: I17D00184-SRD06, which was prepared by East China Institute of Telecommunications.

ECIT only performed test cases which identified with P/NM/NA/F results in Annex C.

ECIT has verified that the compliance of the tested device specified in section 5 of this test report is successfully evaluated according to the procedure and test methods as defined in type certification requirement listed in section 5 of this test report.

6. Test Equipment Utilized

Radiated emission test system

The test equipment and ancillaries used are as follows.

No.	Equipment	Model	Serial Number	Manufacturer	Calibration date	Cal.interval
1	Universal Radio Communication Tester	CMW500	104178	R&S	2019-05-10	1 year
2	Test Receiver	ESU40	100307	R&S	2019-05-10	1 year
3	TRILOG Antenna	VULB9163	VULB9163-515	Schwarzbeck	2020-02-28	2 years
4	Double Ridged Guide Antenna	ETS-3117	135890	ETS	2020-02-28	2 years
5	2-Line V-Network	ENV216	101380	R&S	2019-05-10	1 year
7	RF Signal Generator	SMF100A	102314	R&S	2019-05-10	1 year
9	Amplifier	SCU08	10146	R&S	2019-05-10	1 year

Anechoic chamber

Fully anechoic chamber by ETS

7. Test Environment

Shielding Room1 (6.0 meters×3.0 meters×2.7 meters) did not exceed following limits along the conducted RF performance testing:

Temperature	Min. = 15 °C, Max. = 35 °C
Relative humidity	Min. = 20%, Max. = 75 %
Shielding effectiveness	> 100 dB
Ground system resistance	< 0.5 Ω

Control room did not exceed following limits along the EMC testing:

Temperature	Min. = 15 °C, Max. = 35 °C
Relative humidity	Min. =25 %, Max. =75 %
Shielding effectiveness	> 100 dB
Electrical insulation	> 10 kΩ
Ground system resistance	< 0.5 Ω

Fully-anechoic chamber1 (6.9 meters×10.9 meters×5.4 meters) did not exceed following limits along the EMC testing:

Temperature	Min. = 15 °C, Max. = 35 °C
Relative humidity	Min. = 25 %, Max. = 75 %
Shielding effectiveness	> 100 dB
Electrical insulation	> 10 kΩ
Ground system resistance	< 0.5 Ω
VSWR	Between 0 and 6 dB, from 1GHz to 18GHz
Site Attenuation Deviation	Between -4 and 4 dB,30MHz to 1GHz
Uniformity of field strength	Between 0 and 6 dB, from 80MHz to 3000 MHz

8. Measurement Uncertainty

Measurement uncertainty for all the testing in this report are within the limit specified in ECIT documents. The detailed measurement uncertainty to see the column, k=2

Measurement Items	Range	Confidence Level	Calculated Uncertainty
Maximum Peak Output Power	30MHz-3600MHz	95%	$\pm 0.544\text{dB}$
EBW and VBW	30MHz-3600MHz	95%	$\pm 62.04\text{Hz}$
Transmitter Spurious Emission-Conducted	30MHz-2GHz	95%	$\pm 0.90\text{dB}$
Transmitter Spurious Emission-Conducted	2GHz-3.6GHz	95%	$\pm 0.88\text{dB}$
Transmitter Spurious Emission-Conducted	3.6GHz-8GHz	95%	$\pm 0.96\text{dB}$
Transmitter Spurious Emission-Conducted	8GHz-20GHz	95%	$\pm 0.94\text{dB}$
Transmitter Spurious Emission-Radiated	9KHz-30MHz	95%	$\pm 5.66\text{dB}$
Transmitter Spurious Emission-Radiated	30MHz-1000MHz	95%	$\pm 4.98\text{dB}$
Transmitter Spurious Emission-Radiated	1000MHz -18000MHz	95%	$\pm 5.06\text{dB}$
Transmitter Spurious Emission-Radiated	18000MHz -40000MHz	95%	$\pm 5.20\text{dB}$
Frequency stability	1MHz-16GHz	95%	$\pm 62.04\text{Hz}$

ANNEX A. MEASUREMENT RESULTS

ANNEX A.1. EMISSION LIMIT

Reference

FCC: CFR 2.1051, 22.917,24.238(a), 27.53(g), 27.53(h) , 27.53(m).

A.1.1 Measurement Method

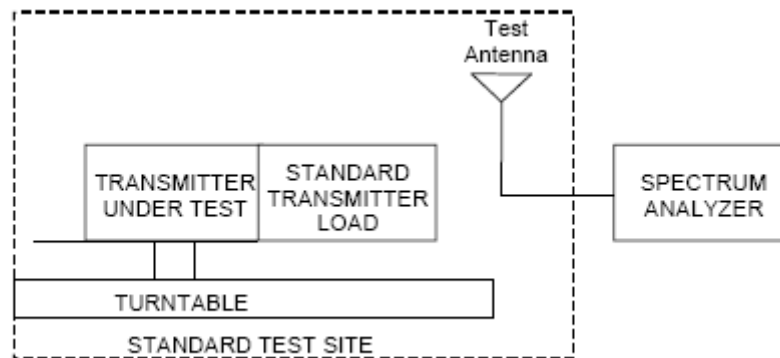
The measurement procedures in TIA-603E-2016 are used.2.2.12:Method of Measurement (Non-Radiating Load).

This measurement is carried out in fully-anechoic chamber FAC-3.

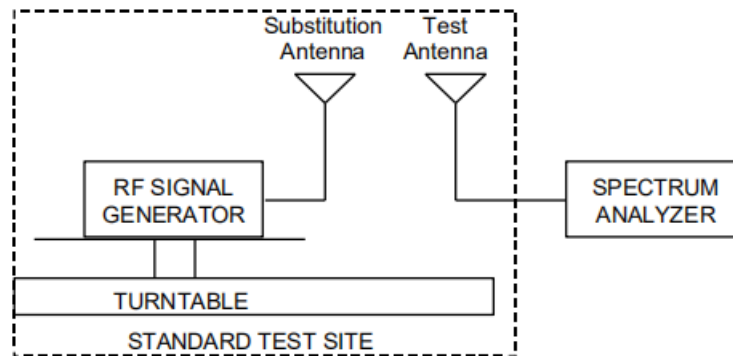
The spectrum was scanned from 30 MHz to the 10th harmonic of the highest frequency generated within the equipment, which is the transmitted carrier. The resolution bandwidth is set 1MHz as outlined in Part 22.917,Part 24.238(a),Part 27.53(g), Part 27.53(h), Part 27.53(m). The spectrum was scanned with the mobile station transmitting at carrier frequencies that pertain to low, mid and high channels of the LTE Bands 2,4,5,7,12.

The procedure of radiated spurious emissions is as follows:

1. EUT with a standard transmitter load was placed on a 1.5 meter high non-conductive stand at a 3 meter test distance from the receive antenna. A receiving antenna was placed on the antenna mast 3 meters from the EUT for emission measurements. The height of receiving antenna is 1.5m. The test setup refers to figure below. Detected emissions were maximized at each frequency by rotating the EUT through 360° and adjusting the receiving antenna polarization. The radiated emission measurements of all non-harmonic and harmonics of the transmit frequency through the 10th harmonic were measured with peak detector.



2. The EUT is then put into continuously transmitting mode at its maximum power level during the test. And the maximum value of the receiver should be recorded as (Pr).
3. The EUT shall be replaced by a substitution antenna. The test setup refers to figure below.



In the chamber, an substitution antenna for the frequency band of interest is placed at the reference point of the chamber. An RF Signal source for the frequency band of interest is connected to the substitution antenna with a cable that has been constructed to not interfere with the radiation pattern of the antenna. A power (P_{Mea}) is applied to the input of the substitution antenna. Adjust the level of the signal generator output until the value of the receiver reaches the previously recorded (P_r). The power of signal source (P_{Mea}) is recorded. The test should be performed by rotating the test item and adjusting the receiving antenna polarization.

4. The Path loss (P_{pl}) between the Signal Source with the Substitution Antenna and the Substitution Antenna Gain (G_a) should be recorded after test.

An amplifier should be connected in for the test.

The Path loss (P_{pl}) is the summation of the cable loss and the gain of the amplifier.

The measurement results are obtained as described below:

$$\text{Power (EIRP)} = P_{Mea} - P_{pl} + G_a$$

5. This value is EIRP since the measurement is calibrated using an antenna of known gain (unit: dBi) and known input power.
6. ERP can be calculated from EIRP by subtracting the gain of the dipole, $ERP = EIRP - 2.15\text{dBi}$.

A.1.2 Measurement Limit

Part 22.917, Part 24.238(a), Part 27.53(g), Part 27.53(h), Part 27.53(m) all specify that the power of any emission outside of the authorized operating frequency ranges must be attenuated below the transmitting power (P) by a factor of at least $43 + 10 \log(P)$ dB. The specification that emissions shall be attenuated below the transmitter power (P) by at least $43 + 10 \log(P)$ dB, translates in the relevant power range (1 to 0.001 W) to -13 dBm. At 1 W the specified minimum attenuation becomes 43 dB and relative to a 30 dBm (1 W) carrier becomes a limit of -13 dBm. At 0.001 W (0 dBm) the minimum attenuation is 13 dB, which again yields a limit of -13 dBm. In this way a translation of the specification from relative to absolute terms is carried out.

A.1.3 Measurement Results

7. Radiated emissions measurements were made only at the upper, middle, and lower carrier frequencies of the LTE Bands 2,4,5,7,12. It was decided that measurements at these three carrier frequencies would be sufficient to demonstrate compliance with emissions limits because it was seen that all the significant spurs occur well outside the band and no radiation

was seen from a carrier in one block of the LTE Bands 2,4,5,7,12. into any of the other blocks. The equipment must still, however, meet emissions requirements with the carrier at all frequencies over which it is capable of operating and it is the manufacturer's responsibility to verify this. The evaluated frequency range is from 30MHz to 26GHz.

RSE-LTE7-L-N08

Frequency (MHz)	PMea (dBm)	Pcl (dBm)	Ga (dBi)	Peak EIRP (dBm)	Limit (dBm)	Polarization
5057.6	-45.55	7.8	9.0	-44.35	-13	V
7510.8	-43.44	9.7	14.6	-38.54	-13	V
10006.4	-45.34	11.2	17.6	-38.94	-13	H
12711.5	-37.05	12.7	19.2	-30.55	-13	V
15250.8	-38.11	14.5	25.1	-27.51	-13	V
16974.5	-26.18	16.0	20.8	-21.38	-13	V

RSE-LTE7-M-N08

Frequency (MHz)	PMea (dBm)	Pcl (dBm)	Ga (dBi)	Peak EIRP (dBm)	Limit (dBm)	Polarization
5065.6	-45.77	7.8	9.0	-44.57	-13	H
7602.4	-44.44	9.7	14.6	-39.54	-13	V
10141.6	-43.05	11.3	17.4	-36.95	-13	H
12669.5	-39.18	12.7	19.2	-32.68	-13	V
15294.5	-38.1	14.4	25.1	-27.4	-13	H
16829.2	-25.5	15.8	20.0	-21.3	-13	V

RSE-LTE7-H-N08

Frequency (MHz)	PMea (dBm)	Pcl (dBm)	Ga (dBi)	Peak EIRP (dBm)	Limit (dBm)	Polarization
5100.4	-44.95	7.9	9.0	-43.85	-13	H
7699.2	-42.22	9.8	15.3	-36.72	-13	V
10270.0	-43.27	11.4	17.4	-37.27	-13	H
12814.8	-39.14	12.5	19.2	-32.44	-13	H
15410.0	-37.9	14.4	24.2	-28.1	-13	V
17979.0	-26.68	16.4	22.5	-20.58	-13	H

Note: the EUT was displayed in several different direction, the worst cases were shown.

ANNEX B. Deviations from Prescribed Test Methods

No deviation from Prescribed Test Methods.

ANNEX C. Detailed Test Results

ANNEX C.1. Main Terms

Verdict	Verdict of each test cases.
Test cases	Test cases identification number and description in ETSI EN 300 328 test specification and ETSI specification.

ANNEX C.2. Terms used in Condition column

Tnom	Normal temperature
Tmin	Low temperature
Tmax	High temperature
Vnom	Normal voltage

ANNEX C.3. Terms used in Verdict column

P	Pass,the EUT complies with the essential requirements in the standard.
NM	Not measure, the test was not measured by ECIT.
NA	Not applicable, the test was not applicable.
F	Fail, the EUT does not comply with the essential requirements in the standard.

ANNEX C.4. Terms used in Note column

EUT ID	EUT ID (e.g N01, N02.....) is used to identify the EUT tested used for each test cases as specified in section 3 of this test report.
Lab Code	Lab code is used to identify the subcontracted lab if this test cases is performed in the subcontracted lab.

Subcontracted test lab code: N/A

ANNEX D. Accreditation Certificate

Accredited Laboratory

A2LA has accredited

EAST CHINA INSTITUTE OF TELECOMMUNICATIONS
Shanghai, People's Republic of China

for technical competence in the field of

Electrical Testing

This laboratory is accredited in accordance with the recognized International Standard ISO/IEC 17025:2017 *General requirements for the competence of testing and calibration laboratories*. This accreditation demonstrates technical competence for a defined scope and the operation of a laboratory quality management system (refer to joint ISO-ILAC-IAF Communiqué dated April 2017).



Presented this 6th day of May 2019.



Vice President, Accreditation Services
For the Accreditation Council
Certificate Number 3682.01
Valid to February 28, 2021

For the tests to which this accreditation applies, please refer to the laboratory's Electrical Scope of Accreditation.

*****END OF REPORT*****