



**Date:** August 21st, 2019

**To: Regulatory Certification Body**

DEKRA Testing and Certification, S.A.U.  
Parque Tecnológico de Andalucía  
C/ Severo Ochoa 2 & 6  
29590 Campanillas  
Málaga, España

**Related to product:**

- Type of equipment: Wireless Module
- Trade name: Cinterion ALAS5-AM and Cinterion ALAS5-US
- Model name: ALAS5-AM and ALAS5-US

**To whom it may concern,**

Following to this letter, please find below the release notes corresponding to the final HW and SW versions, which correspond to these 2 products (model ALAS5V-US is based on ALAS5-AM)

Even when we originally provided to the testing lab the HW and SW version as Rev 1.1.4b and Rev. 00.052, which are the ones shown in the test reports provided, we've later updated them both.

Final ones (for both modules):

HW version: Rev 1.2  
SW version: Rev 01.001

**Our request is that the EU-TEC reflects both the new HW and SW versions.**

HW change

There are no hardware differences between ALAS5-AM Revision 1.1.4b and Revision 1.2. Rev. 1.1 was succeeded by Rev. 1.1.1, Rev. 1.1.2, Rev. 1.1.3, and Rev. 1.1.4b. Now, in order to release a formally correct set of production data, Revision 1.1.4b was simply cloned to Revision 1.2

SW change

SW to a new minor version.

This change has no impact on the operation, testing or certification of the product as shown in the release notes attached.

Model's ALAS5V-US hardware is based on ALAS5-AM thus the HW and SW version are the same.

Sincerely,

PA



Leandro  
Correia

---

By: Leandro Wan-Dall

Title: Global Certification Manager

Company: GEMALTO M2M GMBH

Telephone: +49 30 311028179

e-mail: [leandro.wan-dall@gemalto.com](mailto:leandro.wan-dall@gemalto.com)

## Software Change Description ALAS5-W and ALAS5-AM

### General Information:

This document provides the software change description of ALAS5-W and ALAS5-AM for the following SW releases:

- SW Rev. 00.026 to SW Rev. 00.030
- SW Rev. 00.030 to SW Rev. 00.036
- SW Rev. 00.036 to SW Rev. 00.042
- SW Rev. 00.042 to SW Rev. 00.052
- SW Rev. 00.052 to SW Rev. 00.054
- SW Rev. 00.054 to SW Rev. 00.056
- SW Rev. 00.056 to SW Rev. 00.060
- SW Rev. 00.060 to SW Rev. 00.062
- SW Rev. 00.062 to SW Rev. 01.001

### Approval Relevant SW Changes:

#### SW Rev. 00.026 to SW Rev. 00.030

No.	Topic	Changes / Fixes / Improvements for:	Test Case / Test Area
1	GCF	SAT 27.22.4.1/2/3/8/9.x fail due to wrong Terminal Response (Error at Byte[1])	TC SAT 27.22.4.1/2/3/8/9.x
2	Feature	SAT, CFUN - SIM not inserted issue after restarting UE in CFUN=0 mode	N/A
3	Feature	AT*99#: no re-connect to transparent mode	N/A
4	Feature	Implementation of IPservices	N/A
5	Feature	Implementation of additional AT commands (AT^SCMS / AT^SCMW)	N/A
6	Feature	Command at+cgatt=0 is not effective	N/A
7	Feature	AT+CFUN=1 stucks even if CFUN is already on "1"	N/A

#### SW Rev. 00.030 to SW Rev. 00.036

No.	Topic	Changes / Fixes / Improvements for:	Test Case / Test Area
1	GCF	SAT/USAT icon related TCs fail: AT+CRSM for reading icon data fails	SAT / USAT
2	GCF	GCF: USAT REFRESH 27.22.4.7.1_2/3 fail: wrong ^SSTGI output	SAT / USAT (TC 27.22.4.7.1_2/3)

3	GCF	GCF: USAT Provide Local Information 27.22.4.15.1_4/5 fail: no Terminal Response issued	SAT / USAT (TC 27.22.4.15.1_4/5)
4	GCF	GCF: SAT/USAT icon related TCs fail: AT+CRSM for reading icon data fails	SAT / USAT
5	GCF	pre-GCF DEKRA: SAT 27.22.7.5.x fail: no ^SSTN: 5 indication and no TR to SET UP EVENT LIST	SAT / USAT (27.22.7.5.x)
6	GCF	[GCF/PTCRB][DEKRA] 9.2.3.2 FDD - FDD18 - Normal (3GPP TS 36.521-3)	9.2.3.2 FDD
7	GCF	[Pre- GCF/PTCRB][DEKRA] TC 7.1.3.13	TC 7.1.3.13
8	Feature	PLMN list (TS.25) is not in sync with the latest on from Feb 2019	N/A

SW Rev. 00.036 to SW Rev. 00.042

No.	Topic	Changes / Fixes / Improvements for:	Test Case / Test Area
1	Feature	AT commands: AT^SNCSGSC - Closed Subscriber Group Network Scan	N/A
2	Feature	AT^SINFO="ProductCfg/Ident"	N/A
3	Feature	SAT PLAY Tone not working – fixed	N/A

SW Rev. 00.042 to SW Rev. 00.052

No.	Topic	Changes / Fixes / Improvements for:	Test Case / Test Area
1	GCF	GCF: SAT/USAT PLAY TONE 27.22.4.5 fails: no audio hearable and other problems	SAT/USAT 27.22.4.5
2	GCF	GCF: at^sind=simdata,1 shows no output at all	N/A
3	GCF	GCF: SAT/USAT 27.22.4.1.5_x/ 27.22.4.7.1_3/27.22.4.7.2_1/27.22.4.10.8 fail: wrong ^SSTGI output	SAT/USAT 27.22.4.1.5
4	GCF	[GCF/PTCRB][DEKRA] Clarification on EVS feature	
5	GCF	GCF test case 9.2.1.1.1a	TC 9.2.1.1.1a
6	GCF	GCF test case 18.1.1	TC 18.1.1
7	GCF	[pre-GCF/PTCRB][DEKRA] TC 8.3.1.9 on the CMW500	TC 8.3.1.9

SW Rev. 00.052 to SW Rev. 00.054

No.	Topic	Changes / Fixes / Improvements for:	Test Case / Test Area
1	GCF	GCF: USAT 27..22.4.x fail: missing ^SSTR: <PAC>,0,"" URC after entering the Terminal Response	USAT 27..22.4.x

2	GCF	[GCF/PTCRB][DEKRA] 91.2.3.1.1 Emergency Call over VxLTE - SoS APN	TC GCF FT 91.2.3.1.1
3	GCF	[GCF/PTCRB][DEKRA] TC 42.1.1a & 42.1.4a Call Forwarding Service (Code) Command executed without changes	TC GCF FT 42.1.1a
4	GCF	[GCF/PTCRB][DEKRA] DUT changes the MSISDN two first digits by +34	TC GCF FT

SW Rev. 00.054 to SW Rev. 00.056

No.	Topic	Changes / Fixes / Improvements for:	Test Case / Test Area
1	GCF	[GCF] TestCase 31.10 on the CMW500	TC 31.10
2	GCF	SAT 27.22.4.22.2_4 (SETUP IDLE MODE TEXT, icon not self-explanatory, empty text string) fails: PAC not handled automatically	SAT 27.22.4.22.2_4
3	GCF	[GCF/PTCRB][DEKRA] TC 41.2.7.7 DuT shows the arriving of the SMS Type 0	TC 41.2.7.7
4	GCF	[GCF/PTCRB] SAT 27.22.4.13.4 (SETUP CALL) fails: wrong Terminal Responses	SAT 27.22.4.13.4
5	GCF	[GCF/PTCRB][DEKRA] 3GPP TS 51.010-1 TC 26.6.11.3 PICS mismatch	TC 26.6.11.3
6	GCF	[GCF/PTCRB][DEKRA] 27.22.4.9.8/1 - Network Independent - Normal (3GPP TS 31.124)	27.22.4.9.8/1
7	GCF	[GCF/PTCRB][DEKRA] TS51.010-4 TC27.22.4.22.2/4 - fail at Terminal Response	TC27.22.4.22.2/4

SW Rev. 00.056 to SW Rev. 00.060

No.	Topic	Changes / Fixes / Improvements for:	Test Case / Test Area
1	GCF	[GCF/PTCRB][DEKRA] 27.22.2 - Network Independent - Normal (3GPP TS 51.010-4)	USAT 27..22.2
2	GCF	[GCF/PTCRB][DEKRA] TC 42.1.1a & 42.1.4a Call Forwarding Service (Code) Command executed without changes	TC GCF FT TC 42.1.1a & 42.1.4a

SW Rev. 00.060 to SW Rev. 00.062

No.	Topic	Changes / Fixes / Improvements for:	Test Case / Test Area
1	GCF	[GCF/PTCRB][DEKRA] DUT changes the MSISDN two first digits by +34	TC GCF FT

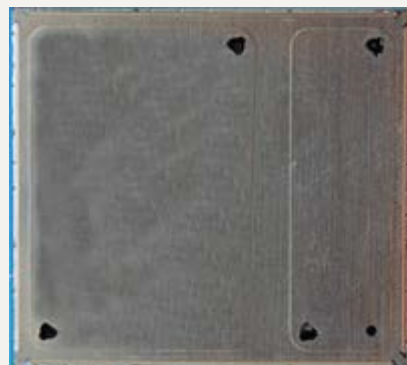
SW Rev. 00.062 to SW Rev. 01.001

No.	Topic	Changes / Fixes / Improvements for:	Test Case / Test Area
1	GCF	[GCF/PTCRB][DEKRA] SAT/USAT BIP (Open/Close Channel, Send/Receive Data): PAC not handled automatically	SAT/USAT
2	GCF	[GCF/PTCRB] UE capability check	TC 8.5.4.1

# HW Differences between Cinterion<sup>®</sup> ALAS5-AM Revisions 1.1.3, 1.1.4b, and 1.2

Delta Report

Version: 02  
DocID: ALAS5-AM\_rev113\_rev114b\_rev12\_hw\_delta\_v02



Document Name: **HW Differences between Cinterion® ALAS5-AM Revisions 1.1.3,  
1.1.4b, and 1.2**

Version: **02**

Date: **July 25, 2019**

DocId: **ALAS5-AM\_rev113\_rev114b\_rev12\_hw\_delta\_v02**

Status: **Confidential / Released**

#### **GENERAL NOTES**

THE PRODUCT INCLUDING THE SOFTWARE PROVIDED BY GEMALTO M2M GMBH (“GEMALTO M2M”) WITH THE PRODUCT (“PRODUCT”) IS DEEMED ACCEPTED BY RECIPIENT AND IS PROVIDED WITHOUT INTERFACE TO RECIPIENT’S PRODUCTS. THE DOCUMENTATION AND/OR PRODUCT ARE PROVIDED FOR TESTING, EVALUATION, INTEGRATION AND INFORMATION PURPOSES.

#### **COPYRIGHTS**

THE SOFTWARE OBTAINED FROM GEMALTO M2M TOGETHER WITH THE PRODUCT (“SOFTWARE”) IS THE INTELLECTUAL PROPERTY OF GEMALTO M2M AND/OR ITS LICENSORS.

#### **LIMITED LICENCE GRANT**

SUBJECT TO THE TERMS AND CONDITIONS IN THIS AGREEMENT, THE RECIPIENT, ITS CUSTOMERS AND END-CUSTOMERS OF THE PRODUCT SHALL HAVE A NON-EXCLUSIVE RIGHT TO USE THE PRODUCT OBTAINED FROM GEMALTO M2M. THE RECIPIENT SHALL NOT AND SHALL CONTRACTUALLY BIND ITS CUSTOMERS AND THE END-CUSTOMERS NOT TO TRANSFER, COPY, MODIFY, TRANSLATE, REVERSE ENGINEER, CREATE DERIVATIVE WORKS, DISASSEMBLE OR DECOMPILE THE SOFTWARE OR OTHERWISE USE THE SOFTWARE EXCEPT AS SPECIFICALLY AUTHORIZED BY THE PURPOSE OF THIS AGREEMENT OR BY MANDATORY LAW. GEMALTO M2M SHALL BE A THIRD PARTY BENEFICIARY IN THE AGREEMENTS WITH CUSTOMERS AND END-CUSTOMERS REGARDING THE SOFTWARE.

ANY RIGHT, TITLE AND INTEREST IN AND TO THE PRODUCT, OTHER THAN THOSE EXPRESSLY GRANTED TO THE RECIPIENT UNDER THIS AGREEMENT, SHALL REMAIN VESTED WITH GEMALTO M2M OR ITS THIRD PARTY LICENSORS.

GEMALTO M2M IS NOT OBLIGED TO MAKE THE SOURCE CODE OF THE SOFTWARE AVAILABLE TO THE RECIPIENT.

#### **DISCLAIMER OF WARRANTY**

THE DOCUMENTATION AND/OR PRODUCT ARE PROVIDED ON AN “AS IS” BASIS ONLY AND MAY CONTAIN DEFICIENCIES OR INADEQUACIES. THE DOCUMENTATION AND/OR PRODUCT ARE PROVIDED WITHOUT WARRANTY OF ANY KIND, EXPRESS OR IMPLIED. TO THE MAXIMUM EXTENT PERMITTED BY APPLICABLE LAW, GEMALTO M2M FURTHER DISCLAIMS ALL WARRANTIES, INCLUDING WITHOUT LIMITATION ANY IMPLIED WARRANTIES OF MERCHANTABILITY, COMPLETENESS, FITNESS FOR A PARTICULAR PURPOSE AND NON-INFRINGEMENT OF THIRD-PARTY RIGHTS. THIS PRODUCT IS NOT INTENDED FOR USE IN LIFE SUPPORT APPLIANCES, DEVICES OR SYSTEMS WHERE A MALFUNCTION OF THE PRODUCT CAN REASONABLY BE EXPECTED TO RESULT IN PERSONAL INJURY. APPLICATIONS INCORPORATING THE DESCRIBED PRODUCT MUST BE DESIGNED TO BE IN ACCORDANCE WITH THE TECHNICAL SPECIFICATIONS PROVIDED IN THESE GUIDELINES. FAILURE TO COMPLY WITH ANY OF THE REQUIRED PROCEDURES CAN RESULT IN MALFUNCTIONS OR SERIOUS DISCREPANCIES IN RESULTS. FURTHERMORE, ALL SAFETY INSTRUCTIONS REGARDING THE USE OF MOBILE TECHNICAL SYSTEMS, INCLUDING GSM AND GPS PRODUCTS, WHICH ALSO APPLY TO CELLULAR PHONES MUST BE FOLLOWED. GEMALTO M2M CUSTOMERS USING THIS PRODUCT FOR USE IN ANY APPLICATIONS DO SO AT THEIR OWN RISK AND AGREE TO FULLY INDEMNIFY GEMALTO M2M FOR ANY DAMAGES RESULTING FROM ILLEGAL USE.



#### **EXCLUSION OF LIABILITY**

GEMALTO M2M, ITS LEGAL REPRESENTATIVES AND VICARIOUS AGENTS SHALL – IRRESPECTIVE OF THE LEGAL GROUND – ONLY BE LIABLE FOR DAMAGES IF THE DAMAGE WAS CAUSED THROUGH CULPABLE BREACH OF A MAJOR CONTRACTUAL OBLIGATION (CARDINAL DUTY), I.E. A DUTY THE FULFILMENT OF WHICH ALLOWS THE PROPER EXECUTION OF THE RESPECTIVE AGREEMENT IN THE FIRST PLACE OR THE BREACH OF WHICH PUTS THE ACHIEVEMENT OF THE PURPOSE OF THE AGREEMENT AT STAKE, RESPECTIVELY, AND ON THE FULFILMENT OF WHICH THE RECIPIENT THEREFORE MAY RELY ON OR WAS CAUSED BY GROSS NEGLIGENCE OR INTENTIONALLY. ANY FURTHER LIABILITY FOR DAMAGES SHALL – IRRESPECTIVE OF THE LEGAL GROUND – BE EXCLUDED. IN THE EVENT THAT GEMALTO M2M IS LIABLE FOR THE VIOLATION OF A MAJOR CONTRACTUAL OBLIGATION IN THE ABSENCE OF GROSS NEGLIGENCE OR WILFUL CONDUCT, SUCH LIABILITY FOR DAMAGE SHALL BE LIMITED TO AN EXTENT WHICH, AT THE TIME WHEN THE RESPECTIVE AGREEMENT IS CONCLUDED, GEMALTO M2M SHOULD NORMALLY EXPECT TO ARISE DUE TO CIRCUMSTANCES THAT THE PARTIES HAD KNOWLEDGE OF AT SUCH POINT IN TIME. GEMALTO M2M SHALL IN NO EVENT BE LIABLE FOR INDIRECT AND CONSEQUENTIAL DAMAGES OR LOSS OF PROFIT. GEMALTO M2M SHALL IN NO EVENT BE LIABLE FOR AN AMOUNT EXCEEDING €20,000.00 PER EVENT OF DAMAGE. WITHIN THE BUSINESS RELATIONSHIP THE OVERALL LIABILITY SHALL BE LIMITED TO A TOTAL OF €100,000.00. CLAIMS FOR DAMAGES SHALL BECOME TIME-BARRED AFTER ONE YEAR AS OF THE BEGINNING OF THE STATUTORY LIMITATION PERIOD. IRRESPECTIVE OF THE RECIPIENT'S KNOWLEDGE OR GROSS NEGLIGENT LACK OF KNOWLEDGE OF THE CIRCUMSTANCES GIVING RISE FOR A LIABILITY ANY CLAIMS SHALL BECOME TIME-BARRED AFTER FIVE YEARS AS OF THE LIABILITY AROSE. THE AFOREMENTIONED LIMITATION OR EXCLUSION OF LIABILITY SHALL NOT APPLY IN THE CASE OF CULPABLE INJURY TO LIFE, BODY OR HEALTH, IN CASE OF INTENTIONAL ACTS, UNDER THE LIABILITY PROVISIONS OF THE GERMAN PRODUCT LIABILITY ACT (*PRODUKTHAFTUNGSGESETZ*) OR IN CASE OF A CONTRACTUALLY AGREED OBLIGATION TO ASSUME LIABILITY IRRESPECTIVE OF ANY FAULT (GUARANTEE).

#### **SECRECY**

THE RECIPIENT UNDERTAKES FOR AN UNLIMITED PERIOD OF TIME TO OBSERVE SECRECY REGARDING ANY INFORMATION AND DATA PROVIDED TO HIM IN THE CONTEXT OF THE CONTRACTUAL RELATIONSHIP AND CLASSIFIED AS CONFIDENTIAL OR OTHERWISE RECOGNISABLE AS CONFIDENTIAL, IN PARTICULAR AS TRADE OR COMPANY SECRET AND – AS FAR AS NOT NECESSARY FOR THE ACHIEVEMENT OF THE PURPOSE OF THE CONTRACT – TO NEITHER RECORD NOR FORWARD TO THIRD PARTIES NOR USE IN ANY WAY. EMPLOYEES AND THIRD PARTIES INVOLVED SHALL BE BOUND TO OBSERVE THE ABOVE PROVISIONS.

#### **MISCELLANEOUS**

THE INTERPRETATION OF THIS GENERAL NOTE SHALL BE GOVERNED AND CONSTRUED ACCORDING TO GERMAN LAW WITHOUT REFERENCE TO ANY OTHER SUBSTANTIVE LAW. LEGAL VENUE FOR ALL DISPUTES ARISING FROM THIS AGREEMENT SHALL BE MUNICH, GERMANY. IN THE EVENT OF A CONFLICT BETWEEN THE PROVISIONS OF THIS AGREEMENT AND ANOTHER AGREEMENT REGARDING THE PRODUCT (EXCEPT THE GENERAL TERMS AND CONDITIONS OF GEMALTO M2M) THE OTHER AGREEMENT SHALL PREVAIL.

#### **Copyright**

Transmittal, reproduction, dissemination and/or editing of this document as well as utilization of its contents and communication thereof to others without express authorization are prohibited. Offenders will be held liable for payment of damages. All rights created by patent grant or registration of a utility model or design patent are reserved.

Copyright © 2019, Gemalto M2M GmbH, a Thales Company

#### **Trademark Notice**

Gemalto, the Gemalto logo, are trademarks and service marks of Gemalto and are registered in certain countries.

## Contents

- 1 Introduction ..... 6
- 2 Differences between Revisions 1.1.3 and 1.1.4b..... 7
- 3 Differences between Revisions 1.1.4b and 1.2..... 7

# 1 Introduction

This Delta Report applies to the Gemalto M2M module

**Cinterion® ALAS5-AM**

## 2 Differences between Revisions 1.1.3 and 1.1.4b

ALAS5-AM Revision 1.1.4b uses some components from other vendors than used for Revision 1.1.3 as listed in the table below:

Component Reference	Component	Vendor Rev. 1.1.3	Vendor Rev. 1.1.4b
Z1015	RX Filter Bd 2	RF360	Taiyo Yuden
Z1200	GNSS RX Filter	RF360	Taiyo Yuden
D301	NAND memory	Nanya	Micron
Z910	RX Filter Bd 8	RF360	Taiyo Yuden
Z811, Z830	Diplexer F1 F2	TDK	Walsin
Z801	Directional Coupler	TDK	Walsin
Z802	TX lowpass filter GSM1800/1900	TDK	Walsin

The intention behind using components from other vendors is to remove the dependency on a single vendor.

A lot of care is taken to select components that are equivalent in form, fit, and function.

Testing and qualification measurements show that there is no impact on GCF, PTCRB, FCC, RED.

## 3 Differences between Revisions 1.1.4b and 1.2

There are no hardware differences between ALAS5-AM Revision 1.1.4b and Revision 1.2.

Background:

Rev. 1.1 was succeeded by Rev. 1.1.1, Rev. 1.1.2, Rev. 1.1.3, and Rev. 1.1.4b.

Now, in order to release a formally correct set of production data, Revision 1.1.4b was simply cloned to Revision 1.2.

## About Gemalto

Since 1996, Gemalto has been pioneering groundbreaking M2M and IoT products that keep our customers on the leading edge of innovation.

We work closely with global mobile network operators to ensure that Cinterion® modules evolve in sync with wireless networks, providing a seamless migration path to protect your IoT technology investment.

Cinterion products integrate seamlessly with Gemalto identity modules, security solutions and licensing and monetization solutions, to streamline development timelines and provide cost efficiencies that improve the bottom line. As an experienced software provider, we help customers manage connectivity, security and quality of service for the long lifecycle of IoT solutions.

### For more information please visit

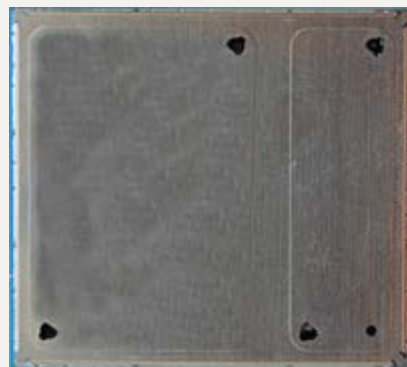
[www.gemalto.com/m2m](http://www.gemalto.com/m2m), [www.facebook.com/gemalto](https://www.facebook.com/gemalto), or [Follow@gemaltoloT](https://twitter.com/Follow@gemaltoloT) on twitter.

**Gemalto M2M GmbH**  
Werinherstrasse 81  
81541 Munich  
Germany

# HW Differences between Cinterion<sup>®</sup> ALAS5-AM Rev. 1.2 and ALAS5V- US Rev. 1.2

Delta Report

Version: 01  
DocID: ALAS5-AM\_rev12\_ALAS5V-US\_rev12\_hw\_delta\_v01



Document Name: **HW Differences between Cinterion® ALAS5-AM Rev. 1.2 and  
ALAS5V-US Rev. 1.2**

Version: **01**

Date: **June 24, 2019**

DocId: **ALAS5-AM\_rev12\_ALAS5V-US\_rev12\_hw\_delta\_v01**

Status: **Confidential / Released**

#### **GENERAL NOTES**

THE PRODUCT INCLUDING THE SOFTWARE PROVIDED BY GEMALTO M2M GMBH (“GEMALTO M2M”) WITH THE PRODUCT (“PRODUCT”) IS DEEMED ACCEPTED BY RECIPIENT AND IS PROVIDED WITHOUT INTERFACE TO RECIPIENT’S PRODUCTS. THE DOCUMENTATION AND/OR PRODUCT ARE PROVIDED FOR TESTING, EVALUATION, INTEGRATION AND INFORMATION PURPOSES.

#### **COPYRIGHTS**

THE SOFTWARE OBTAINED FROM GEMALTO M2M TOGETHER WITH THE PRODUCT (“SOFTWARE”) IS THE INTELLECTUAL PROPERTY OF GEMALTO M2M AND/OR ITS LICENSORS.

#### **LIMITED LICENCE GRANT**

SUBJECT TO THE TERMS AND CONDITIONS IN THIS AGREEMENT, THE RECIPIENT, ITS CUSTOMERS AND END-CUSTOMERS OF THE PRODUCT SHALL HAVE A NON-EXCLUSIVE RIGHT TO USE THE PRODUCT OBTAINED FROM GEMALTO M2M. THE RECIPIENT SHALL NOT AND SHALL CONTRACTUALLY BIND ITS CUSTOMERS AND THE END-CUSTOMERS NOT TO TRANSFER, COPY, MODIFY, TRANSLATE, REVERSE ENGINEER, CREATE DERIVATIVE WORKS, DISASSEMBLE OR DECOMPILE THE SOFTWARE OR OTHERWISE USE THE SOFTWARE EXCEPT AS SPECIFICALLY AUTHORIZED BY THE PURPOSE OF THIS AGREEMENT OR BY MANDATORY LAW. GEMALTO M2M SHALL BE A THIRD PARTY BENEFICIARY IN THE AGREEMENTS WITH CUSTOMERS AND END-CUSTOMERS REGARDING THE SOFTWARE.

ANY RIGHT, TITLE AND INTEREST IN AND TO THE PRODUCT, OTHER THAN THOSE EXPRESSLY GRANTED TO THE RECIPIENT UNDER THIS AGREEMENT, SHALL REMAIN VESTED WITH GEMALTO M2M OR ITS THIRD PARTY LICENSORS.

GEMALTO M2M IS NOT OBLIGED TO MAKE THE SOURCE CODE OF THE SOFTWARE AVAILABLE TO THE RECIPIENT.

#### **DISCLAIMER OF WARRANTY**

THE DOCUMENTATION AND/OR PRODUCT ARE PROVIDED ON AN “AS IS” BASIS ONLY AND MAY CONTAIN DEFICIENCIES OR INADEQUACIES. THE DOCUMENTATION AND/OR PRODUCT ARE PROVIDED WITHOUT WARRANTY OF ANY KIND, EXPRESS OR IMPLIED. TO THE MAXIMUM EXTENT PERMITTED BY APPLICABLE LAW, GEMALTO M2M FURTHER DISCLAIMS ALL WARRANTIES, INCLUDING WITHOUT LIMITATION ANY IMPLIED WARRANTIES OF MERCHANTABILITY, COMPLETENESS, FITNESS FOR A PARTICULAR PURPOSE AND NON-INFRINGEMENT OF THIRD-PARTY RIGHTS. THIS PRODUCT IS NOT INTENDED FOR USE IN LIFE SUPPORT APPLIANCES, DEVICES OR SYSTEMS WHERE A MALFUNCTION OF THE PRODUCT CAN REASONABLY BE EXPECTED TO RESULT IN PERSONAL INJURY. APPLICATIONS INCORPORATING THE DESCRIBED PRODUCT MUST BE DESIGNED TO BE IN ACCORDANCE WITH THE TECHNICAL SPECIFICATIONS PROVIDED IN THESE GUIDELINES. FAILURE TO COMPLY WITH ANY OF THE REQUIRED PROCEDURES CAN RESULT IN MALFUNCTIONS OR SERIOUS DISCREPANCIES IN RESULTS. FURTHERMORE, ALL SAFETY INSTRUCTIONS REGARDING THE USE OF MOBILE TECHNICAL SYSTEMS, INCLUDING GSM AND GPS PRODUCTS, WHICH ALSO APPLY TO CELLULAR PHONES MUST BE FOLLOWED. GEMALTO M2M CUSTOMERS USING THIS PRODUCT FOR USE IN ANY APPLICATIONS DO SO AT THEIR OWN RISK AND AGREE TO FULLY INDEMNIFY GEMALTO M2M FOR ANY DAMAGES RESULTING FROM ILLEGAL USE.

### **EXCLUSION OF LIABILITY**

GEMALTO M2M, ITS LEGAL REPRESENTATIVES AND VICARIOUS AGENTS SHALL – IRRESPECTIVE OF THE LEGAL GROUND – ONLY BE LIABLE FOR DAMAGES IF THE DAMAGE WAS CAUSED THROUGH CULPABLE BREACH OF A MAJOR CONTRACTUAL OBLIGATION (CARDINAL DUTY), I.E. A DUTY THE FULFILMENT OF WHICH ALLOWS THE PROPER EXECUTION OF THE RESPECTIVE AGREEMENT IN THE FIRST PLACE OR THE BREACH OF WHICH PUTS THE ACHIEVEMENT OF THE PURPOSE OF THE AGREEMENT AT STAKE, RESPECTIVELY, AND ON THE FULFILMENT OF WHICH THE RECIPIENT THEREFORE MAY RELY ON OR WAS CAUSED BY GROSS NEGLIGENCE OR INTENTIONALLY. ANY FURTHER LIABILITY FOR DAMAGES SHALL – IRRESPECTIVE OF THE LEGAL GROUND – BE EXCLUDED. IN THE EVENT THAT GEMALTO M2M IS LIABLE FOR THE VIOLATION OF A MAJOR CONTRACTUAL OBLIGATION IN THE ABSENCE OF GROSS NEGLIGENCE OR WILFUL CONDUCT, SUCH LIABILITY FOR DAMAGE SHALL BE LIMITED TO AN EXTENT WHICH, AT THE TIME WHEN THE RESPECTIVE AGREEMENT IS CONCLUDED, GEMALTO M2M SHOULD NORMALLY EXPECT TO ARISE DUE TO CIRCUMSTANCES THAT THE PARTIES HAD KNOWLEDGE OF AT SUCH POINT IN TIME. GEMALTO M2M SHALL IN NO EVENT BE LIABLE FOR INDIRECT AND CONSEQUENTIAL DAMAGES OR LOSS OF PROFIT. GEMALTO M2M SHALL IN NO EVENT BE LIABLE FOR AN AMOUNT EXCEEDING €20,000.00 PER EVENT OF DAMAGE. WITHIN THE BUSINESS RELATIONSHIP THE OVERALL LIABILITY SHALL BE LIMITED TO A TOTAL OF €100,000.00. CLAIMS FOR DAMAGES SHALL BECOME TIME-BARRED AFTER ONE YEAR AS OF THE BEGINNING OF THE STATUTORY LIMITATION PERIOD. IRRESPECTIVE OF THE RECIPIENT'S KNOWLEDGE OR GROSS NEGLIGENT LACK OF KNOWLEDGE OF THE CIRCUMSTANCES GIVING RISE FOR A LIABILITY ANY CLAIMS SHALL BECOME TIME-BARRED AFTER FIVE YEARS AS OF THE LIABILITY AROSE. THE AFOREMENTIONED LIMITATION OR EXCLUSION OF LIABILITY SHALL NOT APPLY IN THE CASE OF CULPABLE INJURY TO LIFE, BODY OR HEALTH, IN CASE OF INTENTIONAL ACTS, UNDER THE LIABILITY PROVISIONS OF THE GERMAN PRODUCT LIABILITY ACT (*PRODUKTHAFTUNGSGESETZ*) OR IN CASE OF A CONTRACTUALLY AGREED OBLIGATION TO ASSUME LIABILITY IRRESPECTIVE OF ANY FAULT (GUARANTEE).

### **SECRECY**

THE RECIPIENT UNDERTAKES FOR AN UNLIMITED PERIOD OF TIME TO OBSERVE SECRECY REGARDING ANY INFORMATION AND DATA PROVIDED TO HIM IN THE CONTEXT OF THE CONTRACTUAL RELATIONSHIP AND CLASSIFIED AS CONFIDENTIAL OR OTHERWISE RECOGNISABLE AS CONFIDENTIAL, IN PARTICULAR AS TRADE OR COMPANY SECRET AND – AS FAR AS NOT NECESSARY FOR THE ACHIEVEMENT OF THE PURPOSE OF THE CONTRACT – TO NEITHER RECORD NOR FORWARD TO THIRD PARTIES NOR USE IN ANY WAY. EMPLOYEES AND THIRD PARTIES INVOLVED SHALL BE BOUND TO OBSERVE THE ABOVE PROVISIONS.

### **MISCELLANEOUS**

THE INTERPRETATION OF THIS GENERAL NOTE SHALL BE GOVERNED AND CONSTRUED ACCORDING TO GERMAN LAW WITHOUT REFERENCE TO ANY OTHER SUBSTANTIVE LAW. LEGAL VENUE FOR ALL DISPUTES ARISING FROM THIS AGREEMENT SHALL BE MUNICH, GERMANY. IN THE EVENT OF A CONFLICT BETWEEN THE PROVISIONS OF THIS AGREEMENT AND ANOTHER AGREEMENT REGARDING THE PRODUCT (EXCEPT THE GENERAL TERMS AND CONDITIONS OF GEMALTO M2M) THE OTHER AGREEMENT SHALL PREVAIL.

### **Copyright**

Transmittal, reproduction, dissemination and/or editing of this document as well as utilization of its contents and communication thereof to others without express authorization are prohibited. Offenders will be held liable for payment of damages. All rights created by patent grant or registration of a utility model or design patent are reserved.

Copyright © 2019, Gemalto M2M GmbH, a Thales Company

### **Trademark Notice**

Gemalto, the Gemalto logo, are trademarks and service marks of Gemalto and are registered in certain countries.



## Contents

<b>1</b>	<b>Supported RF Bands.....</b>	<b>5</b>
<b>2</b>	<b>Floorplan of ALAS5-AM Rev. 1.2.....</b>	<b>6</b>
<b>3</b>	<b>Floorplan of ALAS5V-US Rev. 1.2.....</b>	<b>7</b>
3.1	Schematic Differences to ALAS5-AM.....	8
3.1.1	Different Hardware Identification.....	8
3.1.2	Band 7 Removed.....	9
3.1.3	Band 13 Removed.....	11
3.1.4	Band 28 Removed.....	13
3.1.5	Band 29 Removed.....	15
3.1.6	Band 30 Removed.....	16

## 1 Supported RF Bands

This document is valid for the following products:

**ALAS5-AM**  
**ALAS5V-US**

Both products use the same PCB.

ALAS5-AM is the “general” variant, containing all available RF band combinations, whereas ALAS5V-US uses only a subset of RF bands. The following table shows the available RF band combinations.

The respective components of the unused RF bands are not populated.

	<b>ALAS5-AM</b>	<b>ALAS5V-US</b>
850 MHz (GSM / B5)	X	X
900 MHz (GSM / B8)	X	X
1800 MHz (GSM / B3)	X	X
1900 MHz (GSM / B2)	X	X
Bd2 (FDD-LTE, HSPA)	X	X
Bd4 (FDD-LTE, HSPA)	X	X
Bd5 (FDD-LTE, HSPA)	X	X
Bd7 (FDD-LTE)	X	
Bd12 (FDD-LTE)	X	X
Bd13 (FDD-LTE)	X	
Bd28 (FDD-LTE)	X	
Bd29 (FDD-LTE, DL only)	X	
Bd30 (FDD-LTE, DL only)	X	
Bd66 (FDD-LTE)	X	X
GNSS	X	X

## 2 Floorplan of ALAS5-AM Rev. 1.2

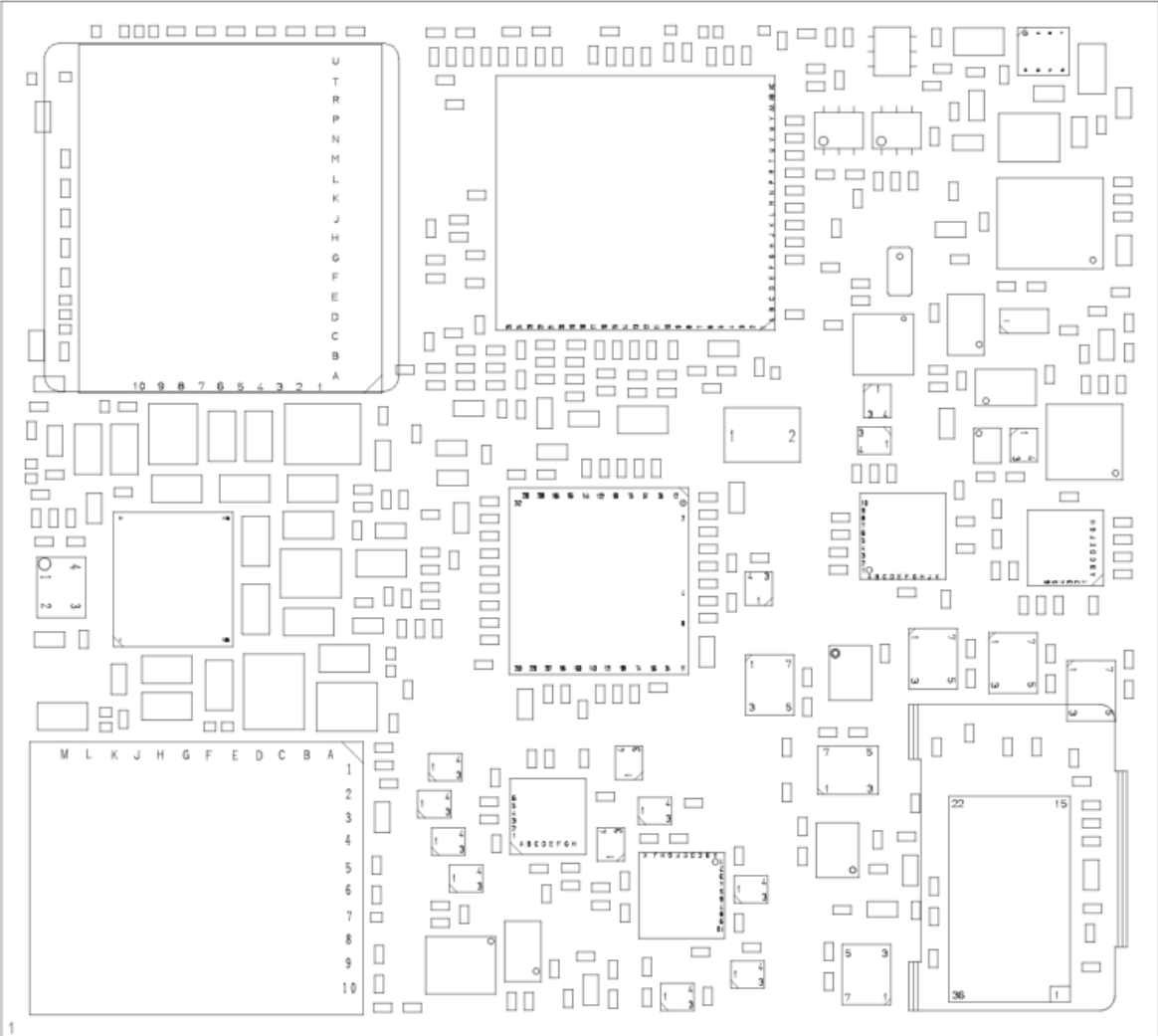


Figure 1: Floorplan ALAS5-AM

### 3 Floorplan of ALAS5V-US Rev. 1.2

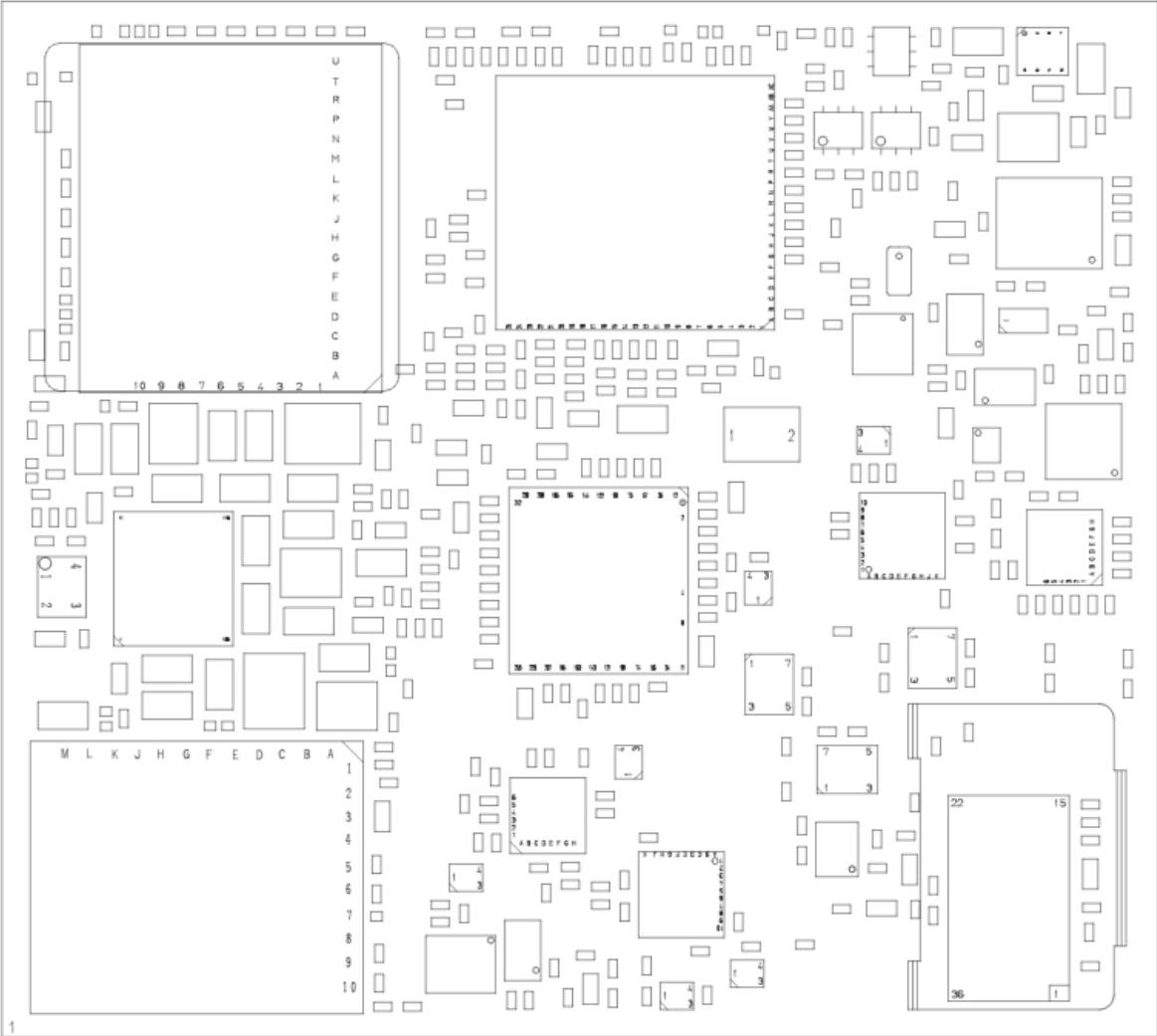


Figure 2: Floorplan ALAS5V-US

### 3.1 Schematic Differences to ALAS5-AM

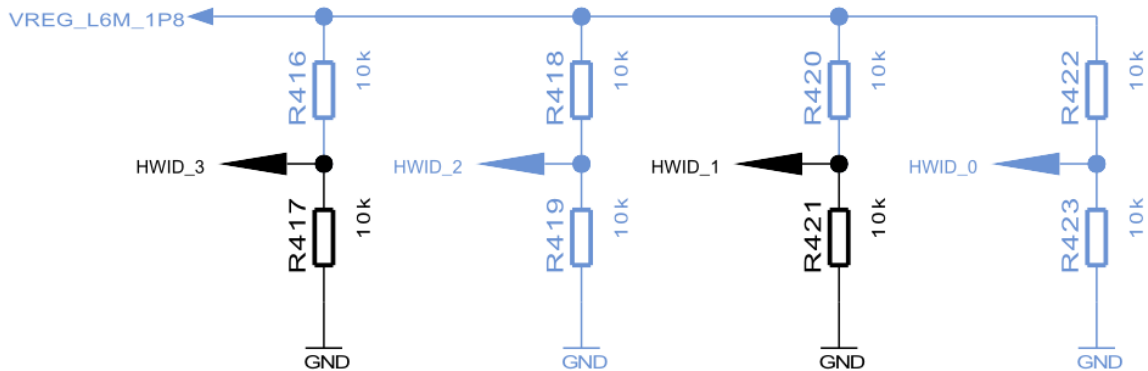
The below sections describe the schematic differences between ALAS5V-US and ALAS5-AM.

Note: Components in black are populated, components in blue are not populated.

#### 3.1.1 Different Hardware Identification

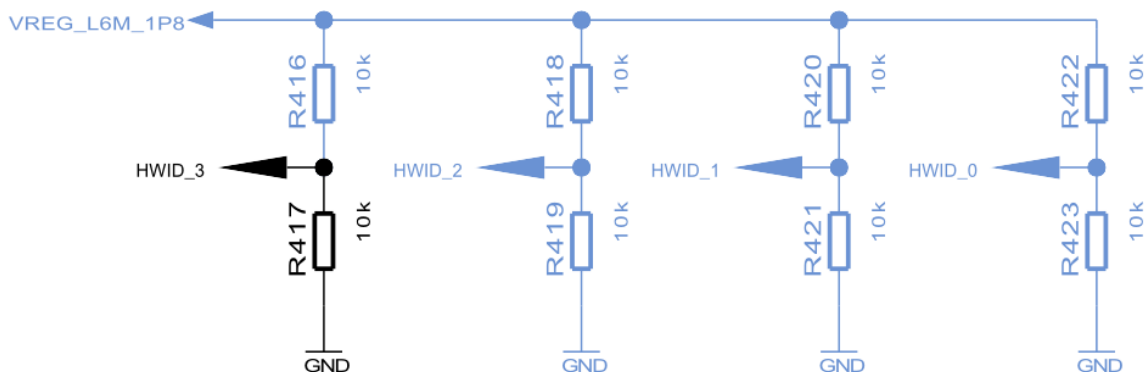
ALAS5V-US:

### HW-ID



ALAS5-AM:

### HW-ID

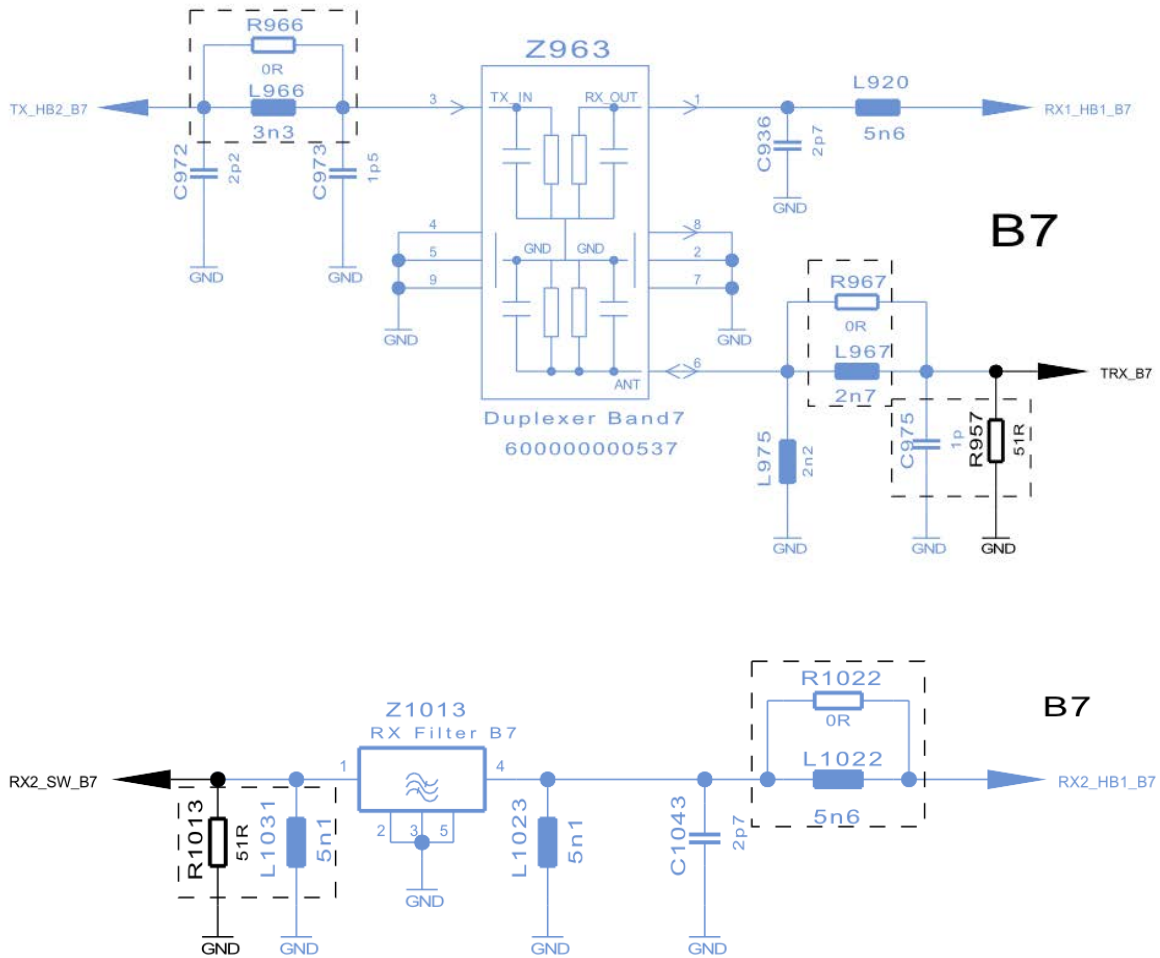


**Affected test scope:** No impact on GCF, PTCRB, FCC, R&TTE.

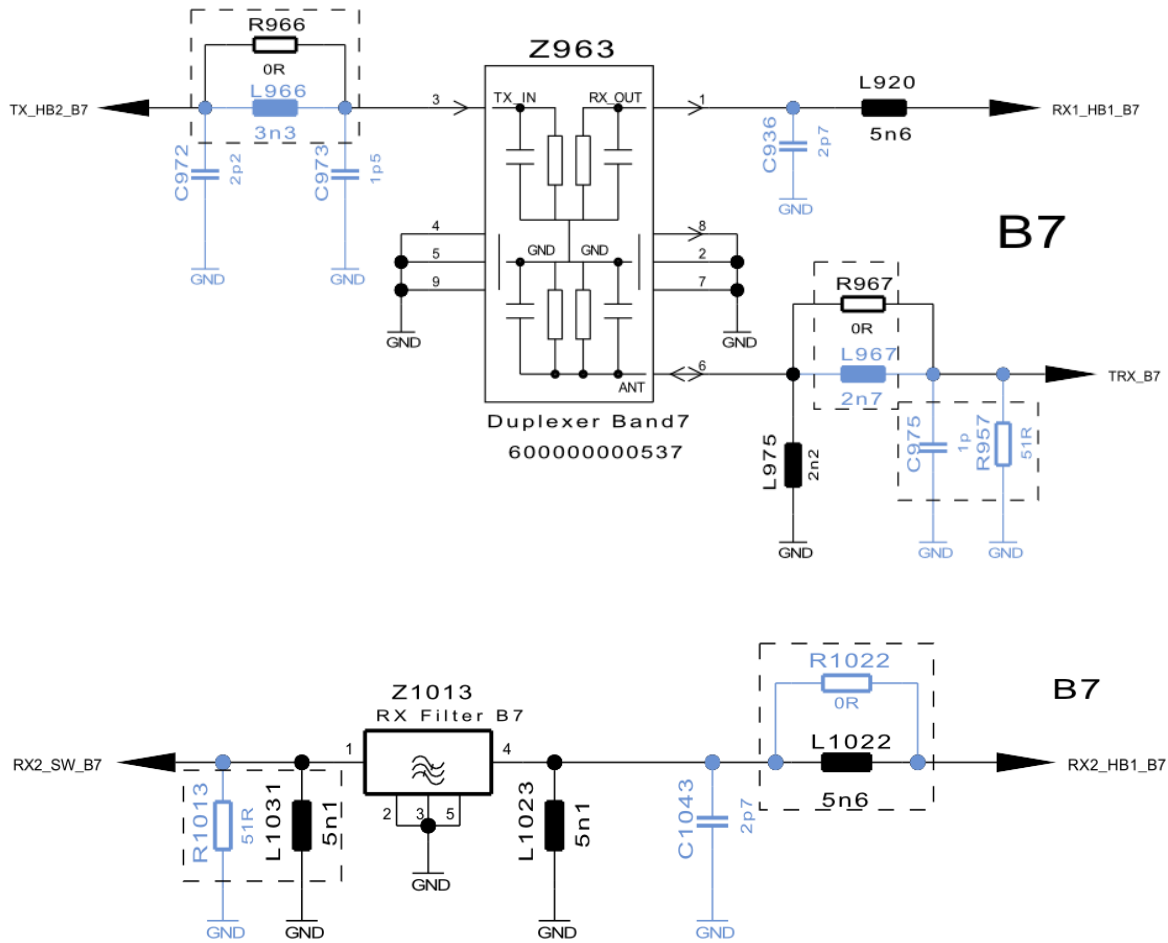
### 3.1.2 Band 7 Removed

A duplexer, a band filter, and matching elements were removed/replaced on ALAS5V-US. Also, LNA inputs now open received termination resistors.

ALAS5V-US:



ALAS5-AM:

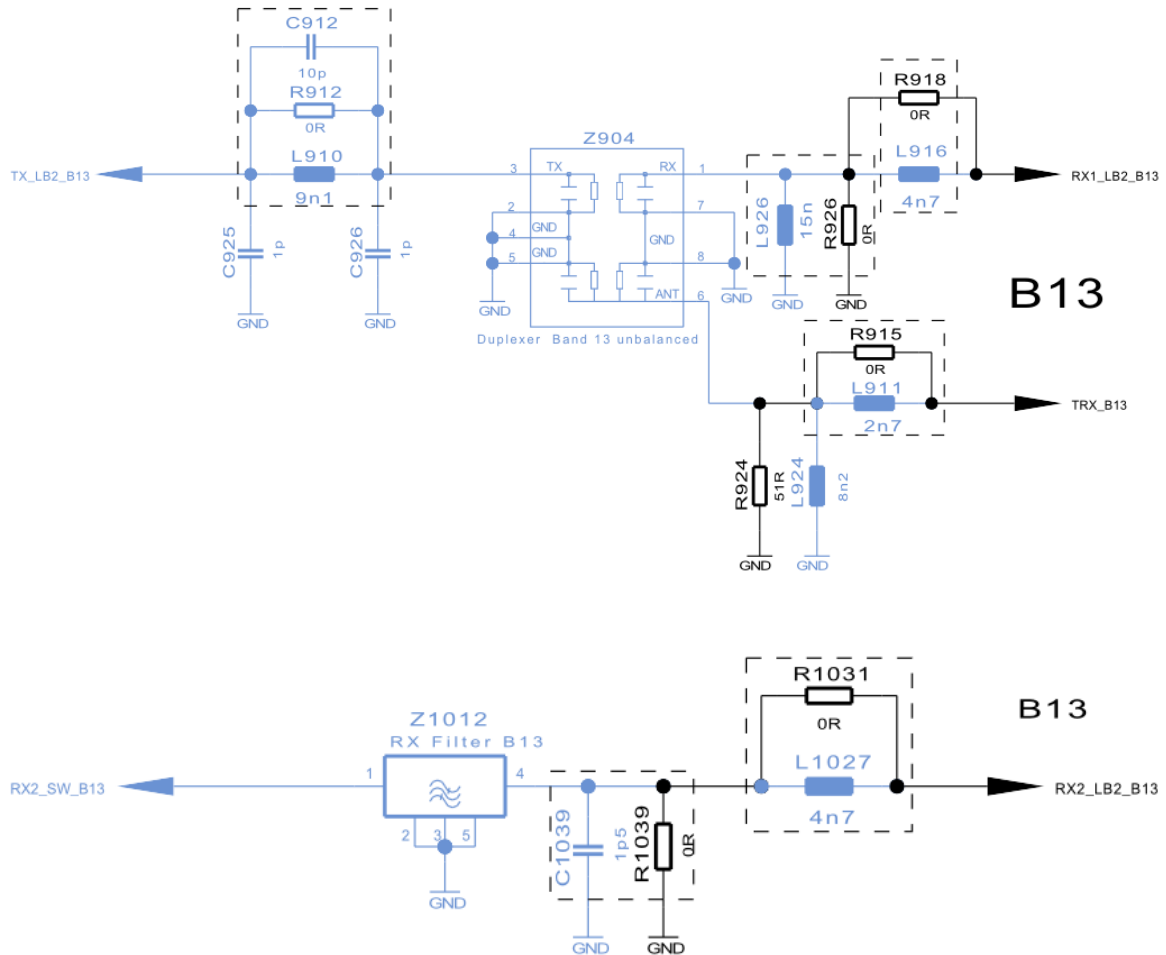


**Affected test scope:** No impact on GCF, PTCRB, FCC, R&TTE.

### 3.1.3 Band 13 Removed

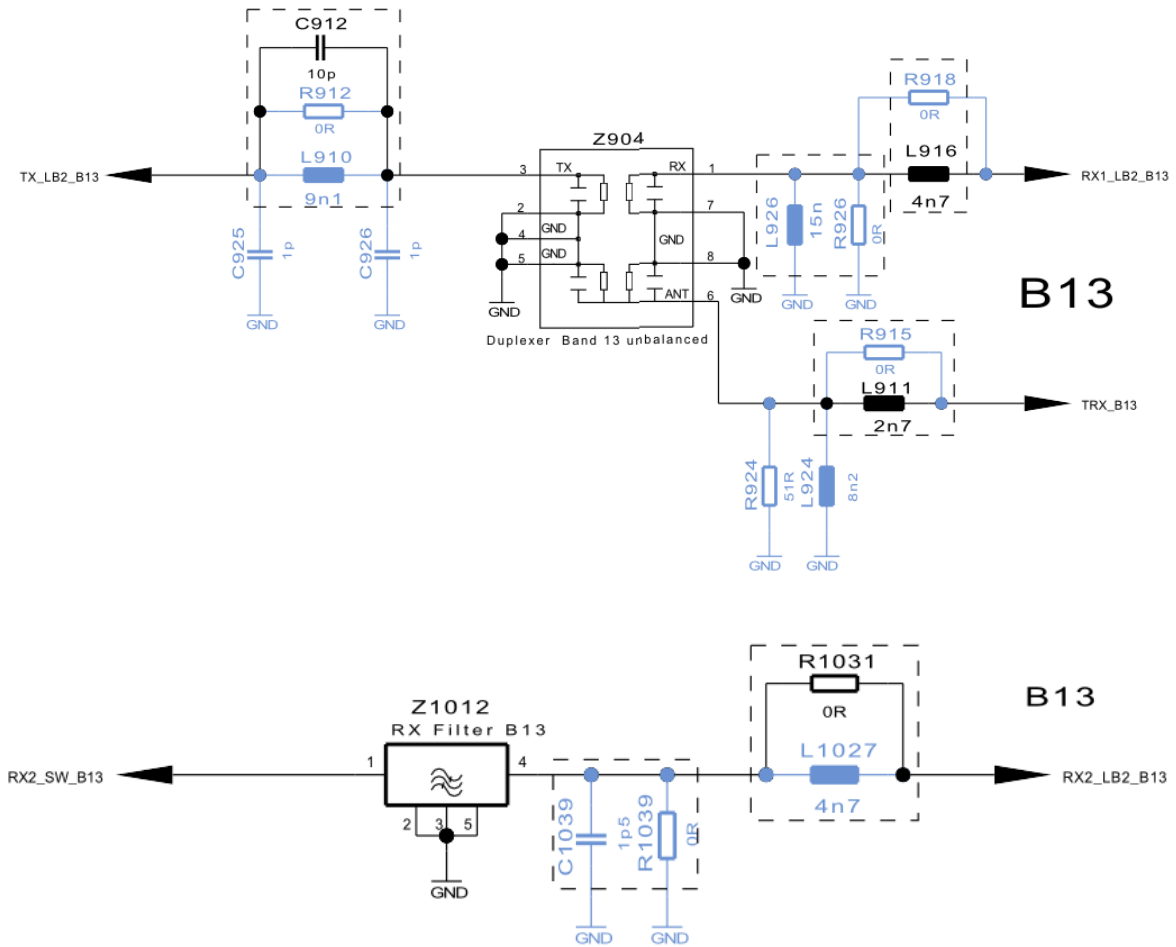
A duplexer, a band filter, and matching elements were removed/replaced on ALAS5V-US. Also, LNA inputs now open received termination resistors.

ALAS5V-US:





ALAS5-AM:

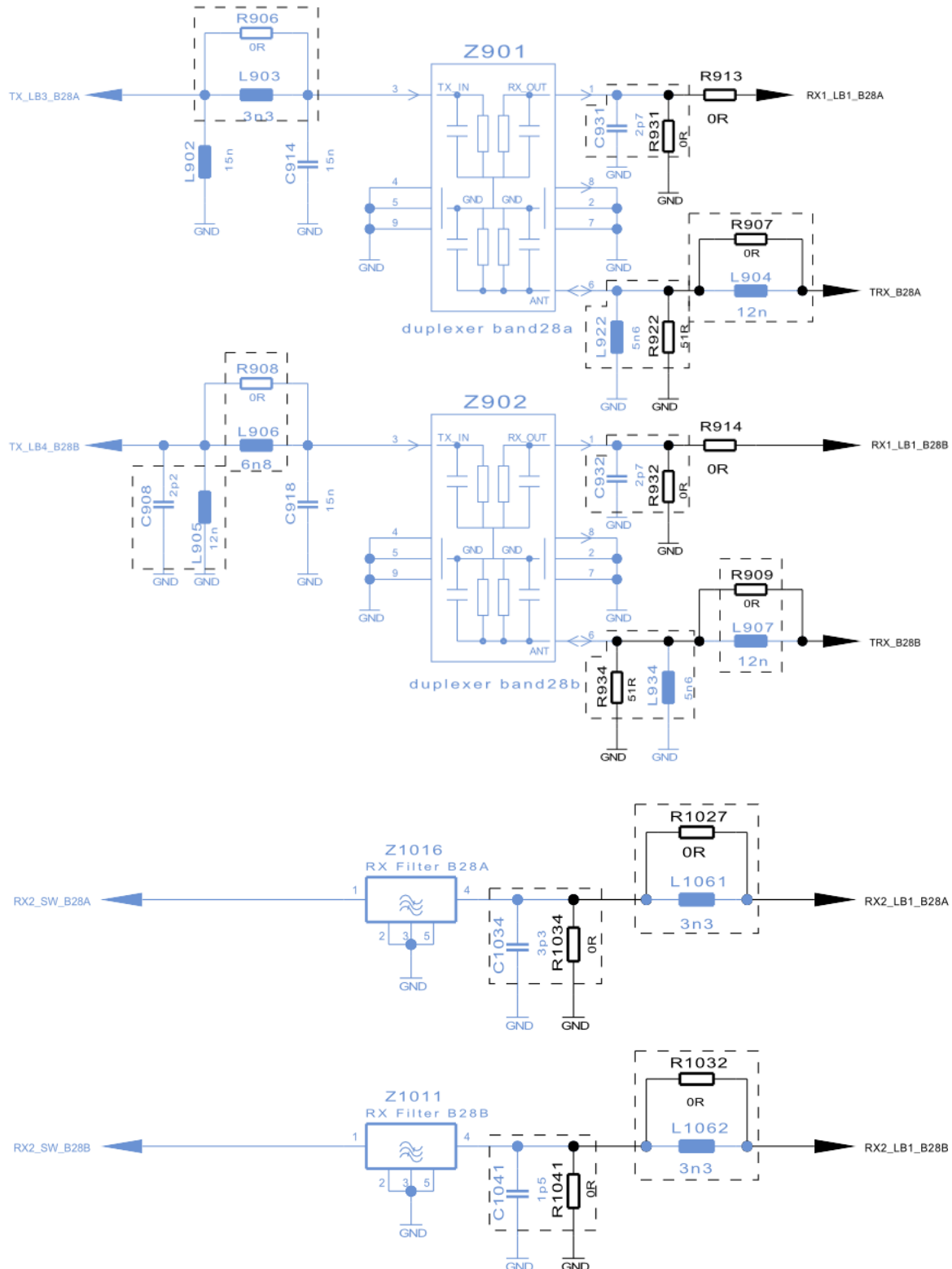


**Affected test scope:** No impact on GCF, PTCRB, FCC, R&TTE.

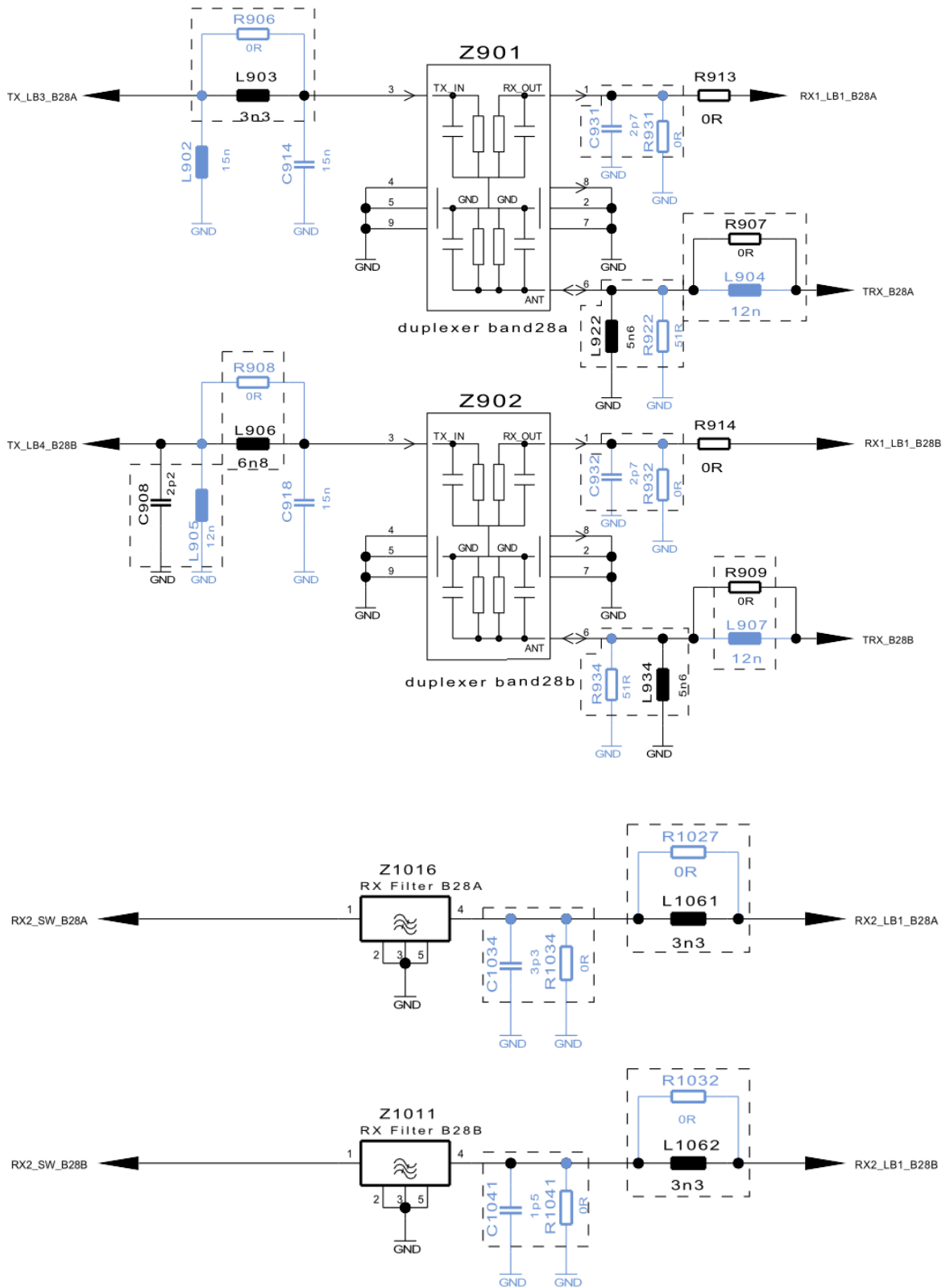
### 3.1.4 Band 28 Removed

Duplexers, band filters, and matching elements were removed/replaced on ALAS5V-US. Also, LNA inputs now open received termination resistors.

ALAS5V-US:



ALAS5-AM:

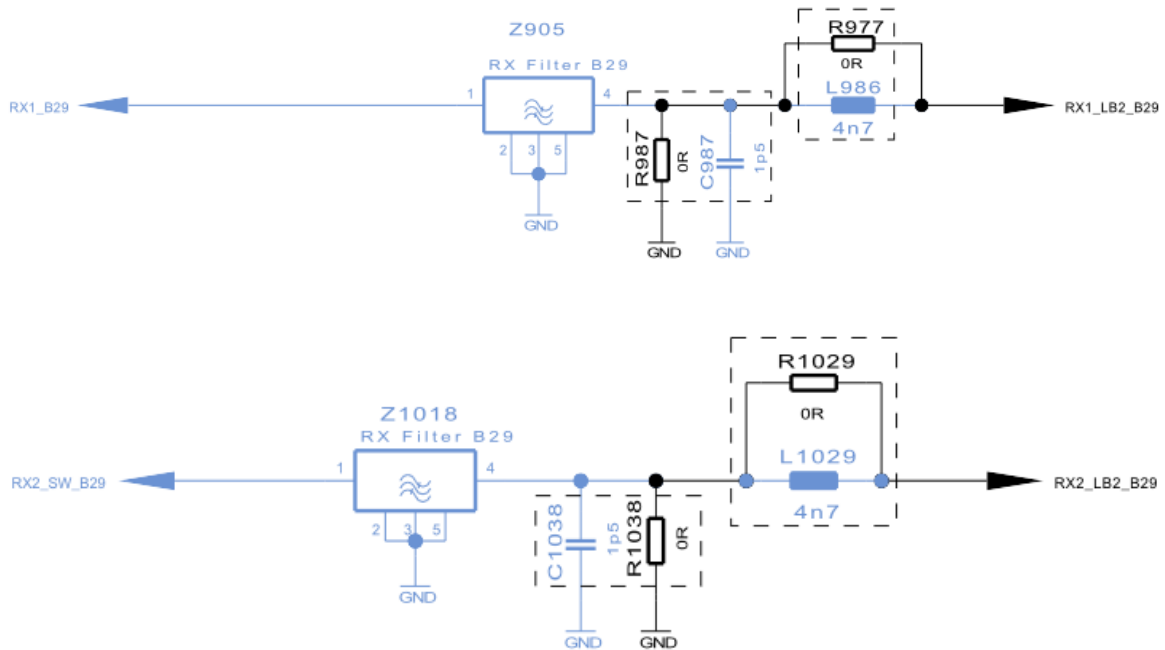


**Affected test scope:** No impact on GCF, PTCRB, FCC, R&TTE.

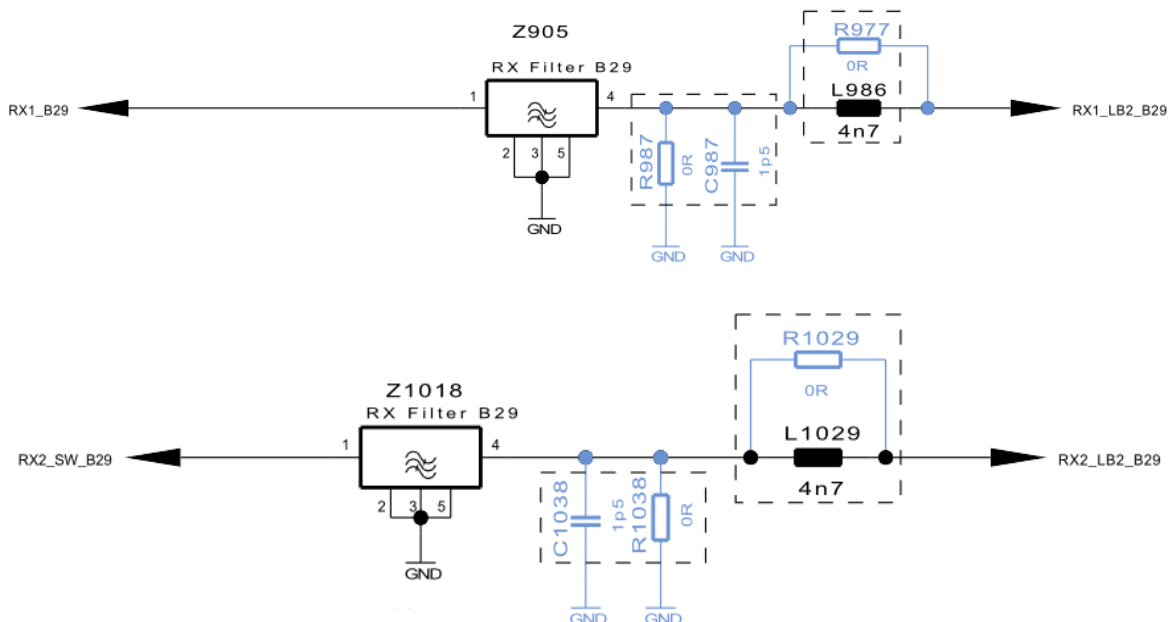
### 3.1.5 Band 29 Removed

Band filters and matching elements were removed/replaced on ALAS5V-US. Also, LNA inputs now open received termination resistors.

ALAS5V-US:



ALAS5-AM:

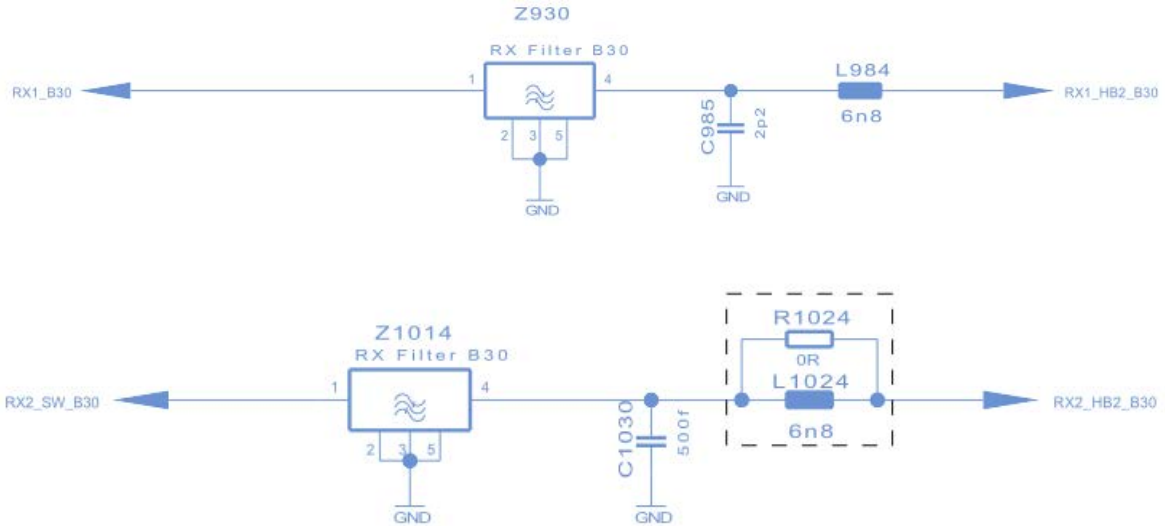


**Affected test scope:** No impact on GCF, PTCRB, FCC, R&TTE.

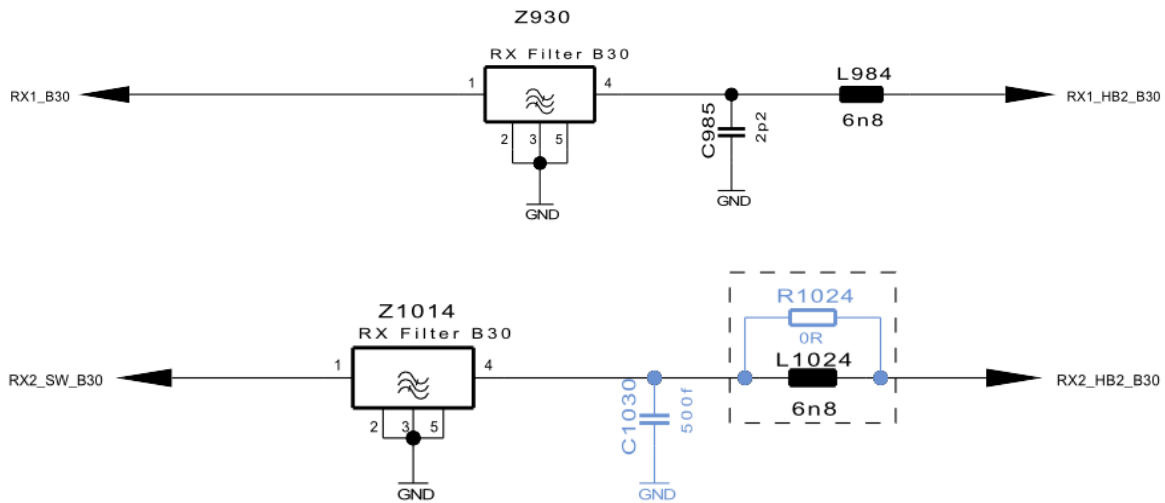
### 3.1.6 Band 30 Removed

Band filters and matching elements have been removed on ALAS5V-US.

ALAS5V-US:



ALAS5-AM:



**Affected test scope:** No impact on GCF, PTCRB, FCC, R&TTE.

## About Gemalto

Since 1996, Gemalto has been pioneering groundbreaking M2M and IoT products that keep our customers on the leading edge of innovation.

We work closely with global mobile network operators to ensure that Cinterion® modules evolve in sync with wireless networks, providing a seamless migration path to protect your IoT technology investment.

Cinterion products integrate seamlessly with Gemalto identity modules, security solutions and licensing and monetization solutions, to streamline development timelines and provide cost efficiencies that improve the bottom line. As an experienced software provider, we help customers manage connectivity, security and quality of service for the long lifecycle of IoT solutions.

### For more information please visit

[www.gemalto.com/m2m](http://www.gemalto.com/m2m), [www.facebook.com/gemalto](https://www.facebook.com/gemalto), or [Follow@gemaltoloT](https://twitter.com/Follow@gemaltoloT) on twitter.

**Gemalto M2M GmbH**  
Werinherstrasse 81  
81541 Munich  
Germany