

Bluetooth Music Receiver

User Manual

Ver. 1.00

**All brand names and trademarks are properties of their
respective owners.**

Contents:

Chapter 1: Introduction	3
1.1 Product Introduction	3
1.2 Features.....	3
1.3 Package Contents.....	3
1.4 Hardware Description.....	4
Chapter 2: Getting Started	7
2.1 Setting up the Bluetooth Music Receiver	7
2.2 Pairing the Bluetooth Music Receiver	7
2.3 Changing Connected Device	8

Chapter 1: Introduction

1.1 Product Introduction

This Bluetooth Music Receiver can be connected to your stereo receiver or Hi-Fi. You can play music wirelessly from your Bluetooth audio player or Bluetooth enabled mobile phone.

1.2 Features

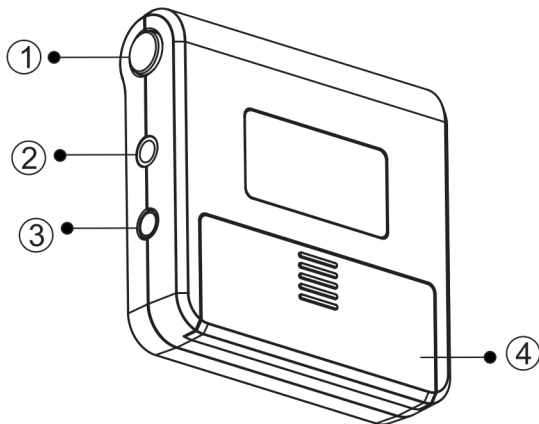
- Play your iPhone, iPod touch, or other device enabled with Bluetooth technology wireless through your home stereo
- Control you music directly from your Bluetooth audio player or Bluetooth enabled mobile phone

1.3 Package Contents

- 1 x Bluetooth Music Receiver
- 1 x User Manual
- 1 x 3.5 mm stereo audio cable
- 1 x USB Power Cable
- 1 x Power Adapter (optional)

Note: Contents may vary depending on country/market.

1.4 Hardware Description



1. Power/Function button:

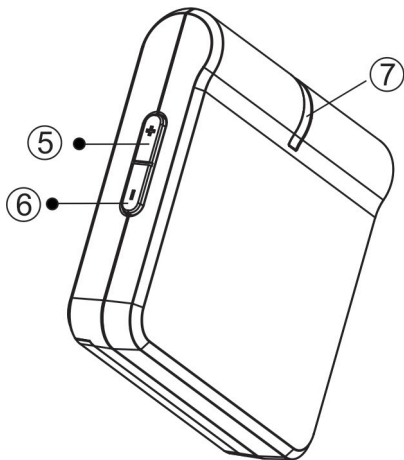
-**Power On:** Press button

-**Power Off:** Press and hold the button for approximately 6-7 seconds.

-**Enter pairing mode:** Press and hold the button for

approximately 3 seconds to clear pairing list

2. **Headphone:** Connect a stereo receiver.
3. **DC Input:** Connect a power adapter.
4. **Battery compartment door:** Install 1 x AAA battery



5. **Volume Up:** Increase audio output volume
6. **Volume Down:** Decrease audio output volume\

7. LED: To show the receiver status

Function	Operation	LED Indicator
Power On	Press “Power/Function” button	Green LED is on for 1 second
Power Off	Press and hold “Power/Function” button for approximately 6-7 seconds	Green LED is on for 1 second
Clearing pairing list	Press and hold “Power/Function” & “Volume Up” button for approximately 3 seconds	Green LED will flash twice every 2 seconds
Enter Pairing mode	Press and hold “Power/Function” button for approximately 3 seconds	Amber LED will keep flash

Chapter 2: Getting Started

2.1 Setting up the Bluetooth Music Receiver

1. Connect one 3.5mm end of the included audio cable to the headphone jack of the Bluetooth Music Receiver.
2. Connect the other end to an audio input on your home stereo system.
3. Connect the AC power adapter cable to the Bluetooth Music Receiver's DC input jack, and plug the AC power adapter into a wall power outlet. (Or you can push and slide out the battery compartment door and then install 1 x AAA battery)
4. Press power button to power on the Bluetooth Music Receiver. The green LED light will flash one to indicate the unit is powered and it now ready to be paired to your Bluetooth device.

2.2 Pairing the Bluetooth Music Receiver

Before pairing, please make sure your Bluetooth stereo receiver

supports Bluetooth A2DP profile. After the Bluetooth Music Receiver has connected to your stereo receiver, you may enjoy your music wirelessly.

To pair, please follow the instructions below:

1. Press and hold the power button of the Bluetooth Music Receiver for approximately 2-3 seconds and do not release it until the amber LED flash. At this time, the Bluetooth Music Receiver has entered pairing mode.
2. Go to the Bluetooth Manager of your Bluetooth device and then search Bluetooth device.
3. Enter “0000” when the player asks for the PIN code. This will allow the Bluetooth device to pair with the Bluetooth Music Receiver.
4. Once paired, the blue LED light on the Bluetooth Music Receiver will flash once and it now ready to be paired to your Bluetooth device.

2.3 Changing Connected Device

If you want to switch from one device to another, follow these steps:

1. End the existing Bluetooth connection with the connected device. Access the Bluetooth Manager and disable the Bluetooth function of the Bluetooth device.
2. The Bluetooth Music Receiver can now be connected to a different Bluetooth device.
3. Follow the directions in “Pairing the Bluetooth Music Receiver” to connect a different device.

This device complies with Part 15 of the FCC Rules.

Operation is subject to the following two conditions:

- (1) this device may not cause harmful interference, and
- (2) this device must accept any interference received, including interference that may cause undesired operation.

Note: This equipment has been tested and found to comply with the limits for a Class B digital device, pursuant to Part 15 of the FCC Rules. These limits are designed to provide reasonable protection against harmful interference in a residential installation. This equipment generates, uses and can radiate radio frequency energy and, if not installed and used in accordance with the instructions, may cause harmful interference to radio communications.

However, there is no guarantee that interference will not occur in a particular installation. If this equipment does cause harmful interference to radio or television reception, which can be determined by turning the equipment off and on, the user is encouraged to try to correct the interference by one or more of the following measures:

Reorient or relocate the receiving antenna.

Increase the separation between the equipment and receiver.

Connect the equipment into an outlet on a circuit different from that to which the receiver is connected.

Consult the dealer or an experienced radio/TV technician for help.

Warning: Changes or modifications to this unit not expressly approved by the part responsible for compliance could void the user's authority to operate the equipment.