


55mm

70mm

Remark:

1. the earphone will connect to your Smartphone automatically the next time when you turn it on, press the button  about 2-3seconds until the Blue indicator flash.
2. It can pair to two devices at the same time, but there only one device works with earphone successfully each time.

Specifications:

- Bluetooth version: 4.1+EDR
- Loudspeaker output: 2mW
- Frequency response: 230HZ--20KHZ
- Supports Bluetooth Headset and Hands-free
- Operating distance: about 10 meters
- Battery capacity: 55mAh
- Charging USB port
- Charging time: 0.5 hours
- Play time: 3 hours
- Materials: ABS

NOTE: This equipment has been tested and found to comply with the limits for a Class B digital device, pursuant to part 15 of the FCC Rules. These limits are designed to provide reasonable protection against harmful interference in a residential installation. This equipment generates uses and can radiate radio frequency energy and, if not installed and used in accordance with the instructions, may cause harmful interference to radio communications. However, there is no guarantee that interference will not occur in a particular installation. If this equipment does cause harmful interference to radio or television reception, which can be determined by turning the equipment off and on, the user is encouraged to try to correct the interference by one or more of the following measures:

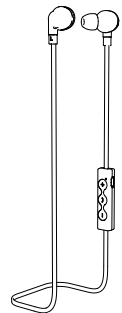
- Reorient or relocate the receiving antenna.
- Increase the separation between the equipment and receiver.
- Connect the equipment into an outlet on a circuit different from that to which the receiver is connected.
- Consult the dealer or an experienced radio/TV technician for help.


Changes or modifications not expressly approved by the party responsible for compliance could void the user's authority to operate the equipment. This device complies with Part 15 of the FCC Rules. Operation is subject to the following two conditions:

- (1) this device may not cause harmful interference, and
- (2) this device must accept any interference received, including interference that may cause undesired operation.

FCC ID: QIFE01-A

Bluetooth earphone



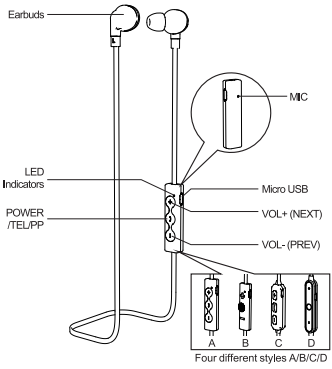
User Manual

正面

What is in the box


- Bluetooth earphone
- User manual

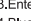

Overview:

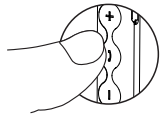



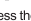

Four different styles A/B/C/D

Bluetooth function:

1. Press the button  4seconds, the blue indicator and red indicator flash alternately, it is pairing mode.
2. Turn on the Bluetooth of your Smartphone, Search for Bluetooth device and select " E01-A/B/C/D"
3. Enter the code "0000" if needed
4. Blue indicator will flash and it is ready for use.

- NEXT/PRE Song: Long press the button +/-
- VOL+/-: Short press the button +/-
- Play/Pause: short press 
- Power OFF: press the button  6seconds.
- If there is no operation within 8 minutes after Power ON, it will power OFF automatically.

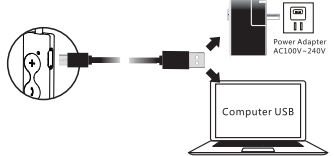


5. Answer/End a call: Short Press the button 
6. Reject a Call: Double press the button 
7. Redial the last called number: Double press the button 

Charging the earphone:

Please make sure the earphone is full of charge before using it for the first time.

1. Connect the included Micro USB Charging cable to the USB Charging Port of the earphone.



2. The red indicator will turn on when charging, it will become blue color after full charged
3. Charging time: 0.5hours. Play time: 3hours

反面