

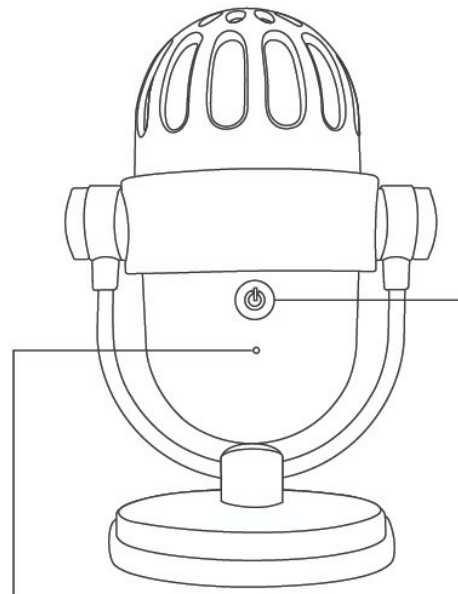
# Bluetooth Speaker

**Model: AF-MCB08**

**Brand: My Music**

**FCC ID: QIFAF-MCB08**





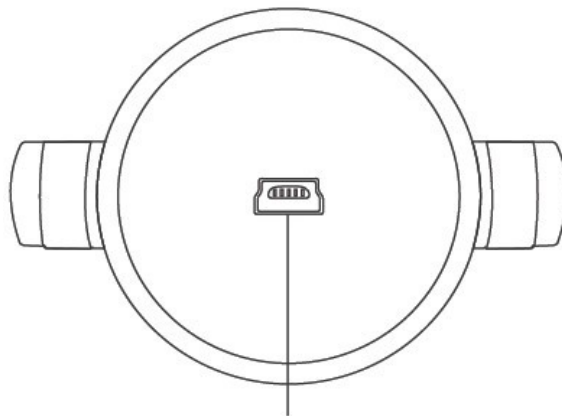
Microphone

ON/OFF

Back

---

Bottom



USB

**Main Function:**

1. Bluetooth music playing function
2. MIC function for hands-free talking(distance:30-50cm)

**Operate Instructions (Note: The device, called AF-MCB08, pair Code: 0000)**

- **Bluetooth function and MIC function for hands-free talking (Let us take mobile phone for example)**
  - a. Making switch to Bluetooth, after 3 seconds, hear the Beep twice, then Bluetooth indicator will flash quickly and it means that it has entered Bluetooth pairing status.
  - b. Starting up the Bluetooth function of mobile phone to search for Bluetooth device. When the mobile finds the Bluetooth device (AF-MCB08), select it and it will be prompted for a password (Note: some mobile phone can be connected directly without entering pairing code, and if the mobile phone had already been paired before, it is also unnecessary to enter pairing code), enter "0000" number, press "Yes" to connect the Bluetooth device (AF-MCB08).
  - c. The mobile phone will show the sign of success after it connects to Bluetooth.
  - d. Set up the play mode to Bluetooth output of your device and play music. Music volume can be increased or decreased by adjusting the volume of phone.
  - e. During you listening music, if there somebody call you, the music will be interrupted automatically. Answer the calling and you can talk and hear clearly from the speaker directly, instead of from mobile phone. The effective distance between the bluetooth speaker and your mouth is 30-50cm.
  - f. After hung up, it will turn into playing music program automatically.

- **Plug mini 5P USB cable into the Line in/5Vsocket, the signal light keeps on when charging, after fully charged the signal light turn off.(The signal light keeps off when the speaker turn off)**
- **Body can be separated from Base stands, can be rotate with 360 degrees when they are combined.**
- **Low power Warning When the battery is running low, it will beep every 30 seconds. Please recharge it in time to protect battery.**
  
- **Product Specification:**
  1. SNR:  $\geq 95 \pm 2$ dB
  2. Speakers: D36mm(20HZ-20KHZ)
  3. Lithium polymer battery input: 400MHA (DC5V)
  4. Dimension: D72.26\* H104.8 (MM), single weight: 136g
  5. Material: ABS case+Metal Net-cover
  - 6,Charging time: 2.5-3 hours playing time: 4-6 hours

#### IMPORTANT REGULATORY INFORMATION

This device complies with Part 15 of the FCC Rules: Operation is subject to the following two conditions:

1. This device may not cause harmful interference and
2. This device must accept any interference that is received, including any interference that may cause undesired operation.

#### WARNING:

Changes or modifications to this unit not expressly approved by the party responsible for compliance could void the user's authority to operate the equipment.