



# PARTS NUMBER REQUEST & APPROVAL SHEET

Powering Communications

1. Part Number:

AAP0ANTENNAL26

申請單 變更單

2. 製造廠商:

(Manufacturer)

亞驪企業股份有限公司

Model No.:

3. 經銷商:

(Supplier)

亞驪企業股份有限公司

4. 種類名稱:

(分群碼)

Others\_天線

5. 廠商料號:

(Vendor P/N)

RFA-02-C2H1-06-120CR

6A. 品名描述(Part Description):

F-ANT ARIS 02C2H106120CR RoHS

6B. 規格描述(Spec.Description):

2.4GHz 2dBi I-PEX 120/1.13 C

7. 變更原因說明(Change Reason):

(申請或變更料號請附上規格說明書)

如有任何變更,須事前聯絡,取得承認後,始能變更

8. Series Approval  請勾選(規格請參照系列承認書) 分發單位請勾選  於下方之分發欄

9. 備註(Remark):

DCC 文管中心發行章	主管核准 Manager Signature		審查 Engineer Signature		承辦
	M.E.	E.E.	M.E.	E.E.	
	N/A	同德 3/19	N/A	Joe 3/17	陳振地 3/8
	*無須審核者以"N/A"表示 *簽名時應註明日期				

附件請勾選  規格書  樣品  PCB 底片乙套  後補印刷承認樣品  其他: 電子檔

分發數量	DCC	研一部	研二部	台北實驗室	新竹實驗室	通研三	品管	PM/業務	EGB研發	採購
規格書							1			
樣品										
PCB 底片乙套										
其他(電子檔)	1			1	1	1	1			1

申請日: 2006.03.08

陳振地

台北實驗室

劉如芸

(Request Date)

申請者 (Request)

申請單位(Department)

鍵入者 (Key-in) 品

由零件工程師填寫

料號申請/零件承認單:第 1 頁

亞 驪 企 業 股 份 有 限 公 司  
ARISTOTLE ENTERPRISES

承 認 申 請 書

客戶名稱: 盛達電業股份有限公司  
Customer  
廠商料號: RFA-02-C2H1-06-120CR  
Part No.  
品名: 2.4GHz,I-PEX,平轉軸,無鉛  
Description  
圖號: RFA-02-C2H1-06-120CR.DWG  
Drawing No.  
客戶料號: AAP0ANTENNAL26  
Drawing No.

出廠簽章:

檢 查 TEST BY	核 對 CHECK BY	承 認 APPROVE BY
周沂珮	黃秋芳	廖煥文

承認簽章:

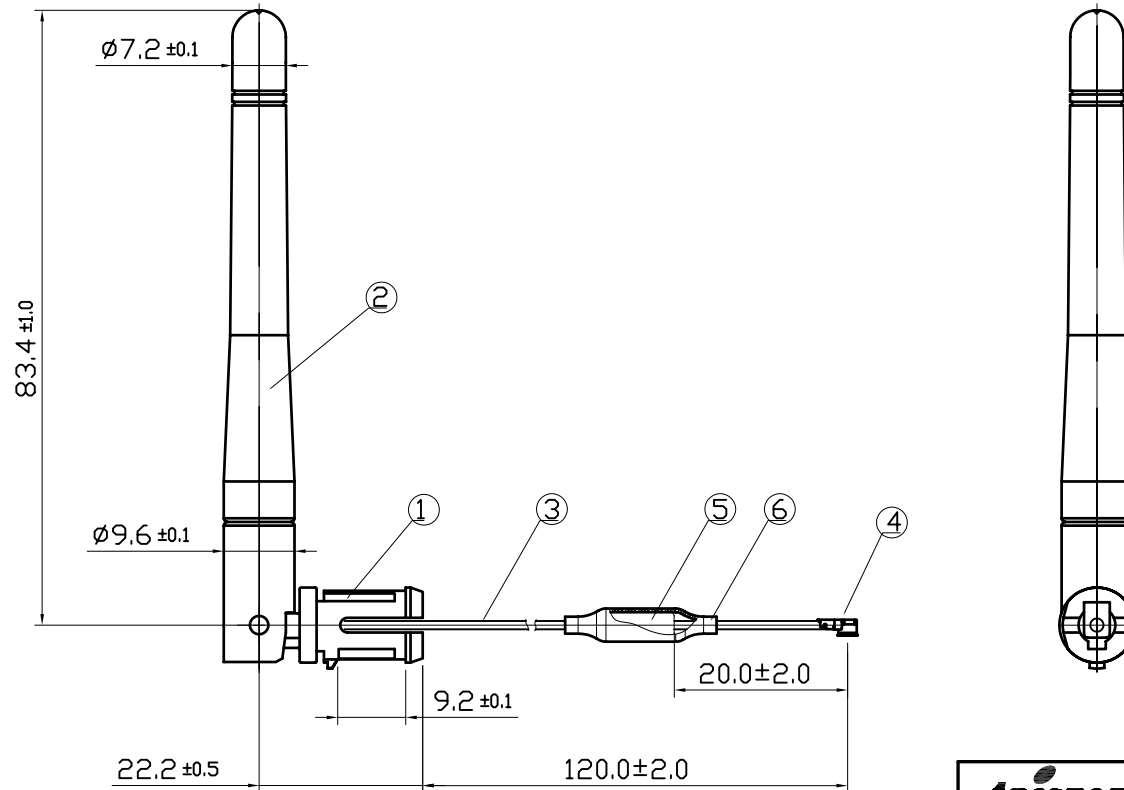
檢 查 TEST BY	核 對 CHECK BY	承 認 APPROVE BY

地址:台北縣中和市莒光路 63 號 8 樓

電話:02-2225-8209

傳真:02-2225-7523

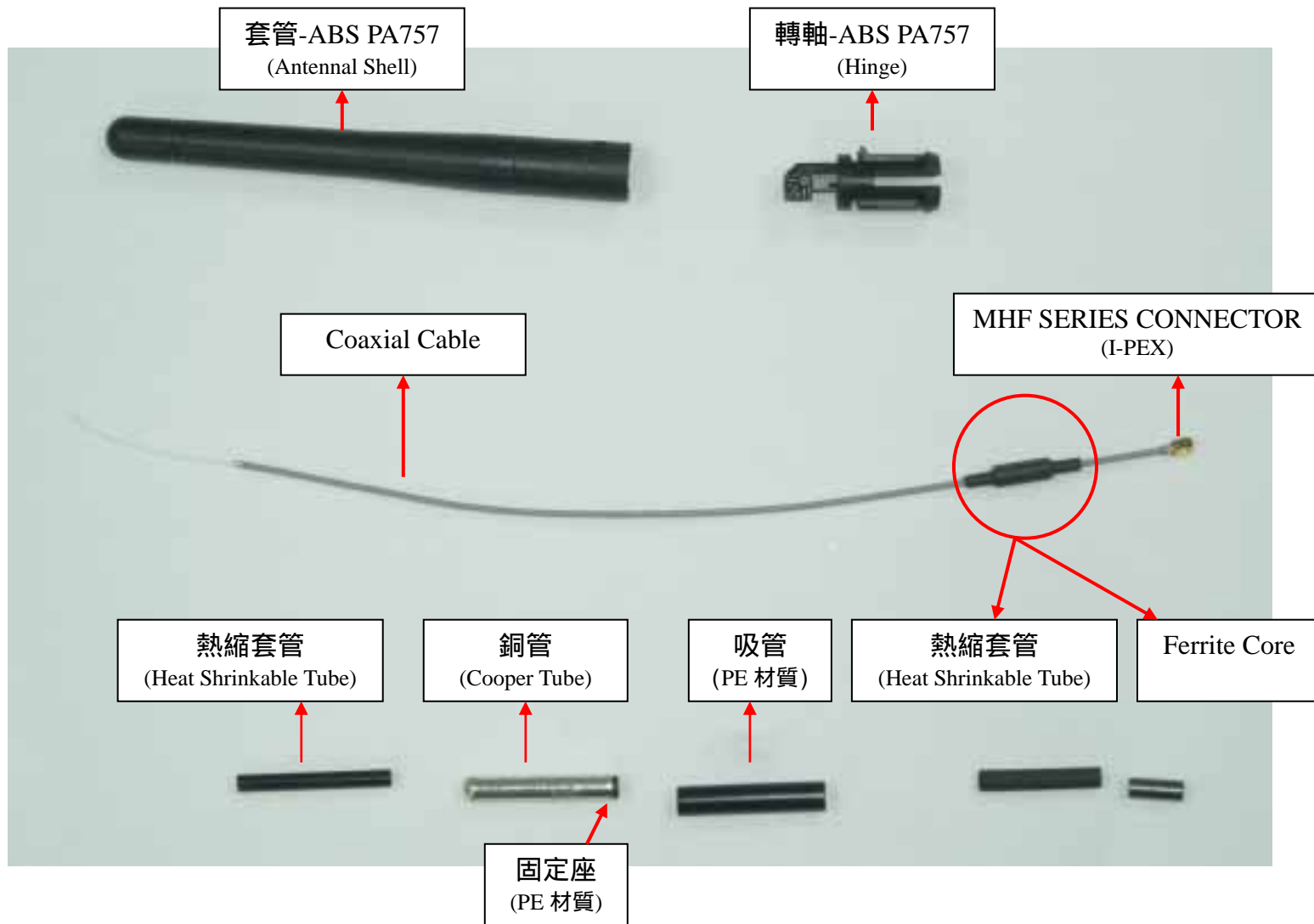
NO.	NAME	FINISH	MAT'L	Q'TY	MEMO
1.	Hinge	BLACK	ABS	1	
2.	Tube	BLACK	ABS	1	
3.	Cable	GRAY	TEFLON	1	∅D=∅1.13
4.	Connector	BLACK	BRASS	1	20278-101R-13(I-PEX)
5.	Core	BLACK	IRON	1	D3.5Xd1.3XL9.0
6.	Heat Shrink Tube	BLACK	PE	1	



**ARISTOTLE** 亞驥企業股份有限公司  
ENTERPRISES INC.

4.				
3.				
2.				
1.				
REV	ECN	NAME	DATE	

PROJECTION	UNITS	mm	TITLE	SHEET
	SCALE	1/1	RFA-02-C2H1-06-120CR	1/1
	PAPER	A4	2.4GHz, I-PEX, 平轉軸	
APPD.			DWG NO.	REV.
CHKD.			RFA-02-C2H1-06-120CR.DWG	B
DESIGN				
DRAW	J.W.Lee	95/02/06		



# RFA-02-C2H1-06-120CR

## Specifications

Frequency Range	2.4~2.5GHz
Impedance	50 Ohms nominal
VSWR	2
Gain	2 dBi
Radiation	Omni
Polarization	Vertical
Operation Temperature	-20°C~+65°C
Storage Temperature	-30°C ~+75°C

## DESCRIPTION : Swivel Access Point Antenna

MODEL NO : RFA-02-C2H1-06-120CR

### 1.1 ELECTRICAL

Frequency Range: 2400~2500 MHZ

Gain: 2.0dBi (min.)

VSWR: 2

Polarization: Linear, Vertical

Impedance : 50

Connector: IPEX MHF

Cable: 1.13mm



### 1.2 MECHANICAL

Condition : Non operating during test.

Material : PCABS(UL94V-0)

#### Endurance

Number of 90° rotation of the connector : 1000 cycles (min.)

Mandatory : Guaranty of functionalities after test.

**Bending:** Number of 90° at the hinge parts and bending on one direction with 1 kg force : 1000 cycles

Mandatory : No mechanical damage tolerated. Guaranty of functionalities after test.

#### Antenna resistance

Tests are applicable to all parts and both sides.

**Traction:** Traction force applied 3 times on plugs during 15 second : 5 kg

Mandatory : No mechanical damage tolerated. Guaranty of functionalities after test.

### 1.3 ENVIROMENTAL

#### Storage

Condition : Non operating during test.

**Cold:** -40 during 72h (IEC 68-2-1 standard Ab/Ad test)

**Dry heat:** +80 during 96h (IEC 68-2-2 standard Bb/Bd test)

**Humidity:** +40 at 95%R.H. during 4 days (IEC 68-2-56 standard Cb test)

Mandatory : No mechanical or visible damage tolerated. Guaranty of functionalities after test.

#### Operation

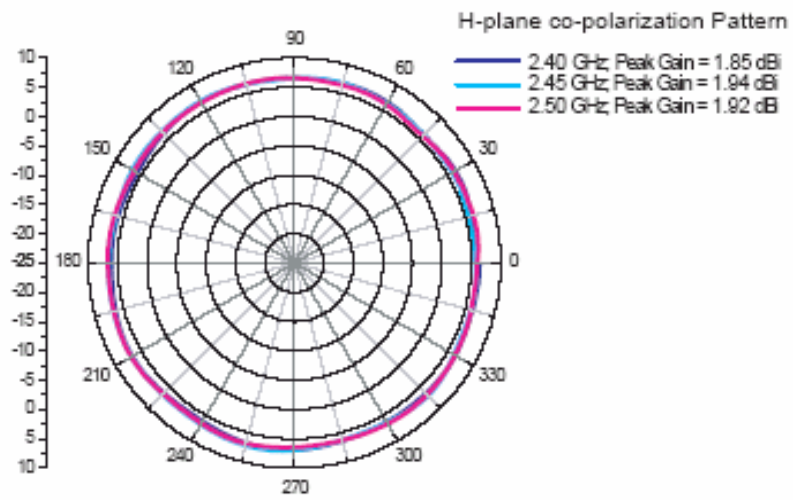
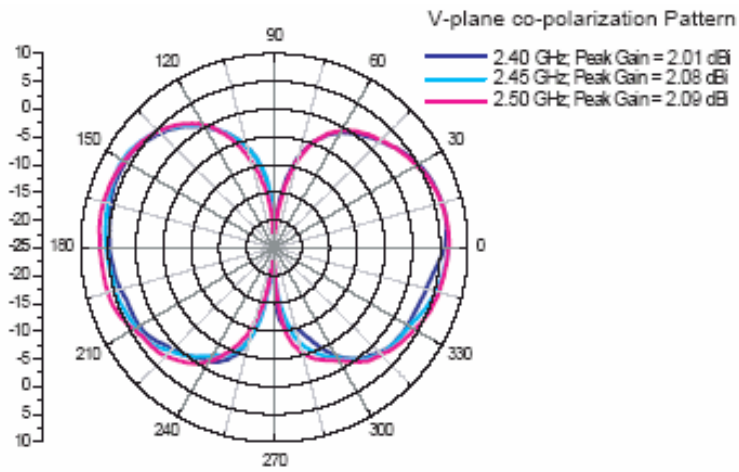
**Condition :** Operating during test.

**Cold:** -10 during 48h (IEC 68-2-1 standard Ab/Ad test)

**Dry heat:** +55 during 48h (IEC 68-2-2 standard Bb/Bd test)

**Composite:** -10 to +55 95%R.H 4 cycles (IEC 68-2-30 standard Nb test)

Mandatory : No mechanical or visible damage tolerated. Guaranty of functionalities during and after test.



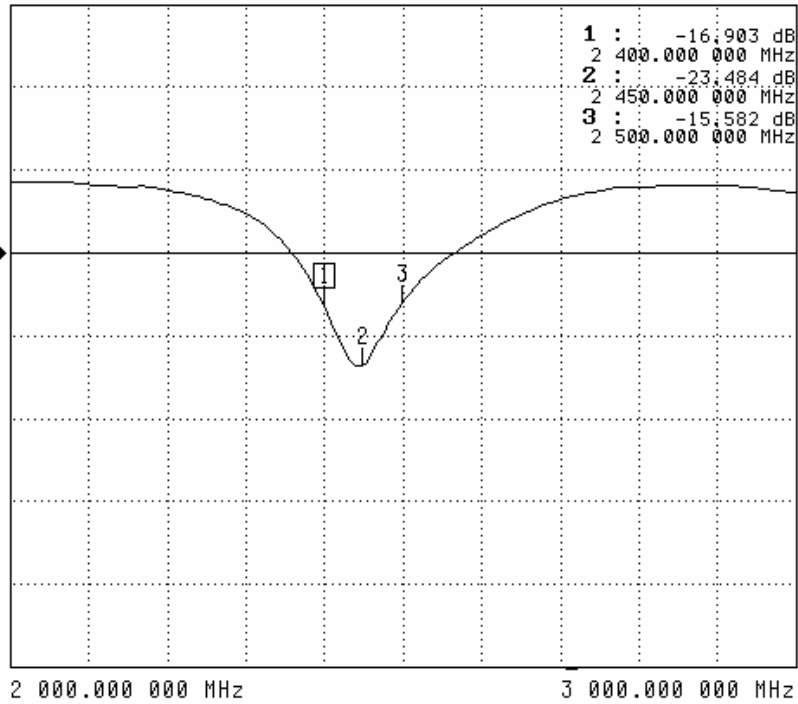
S11 FORWARD REFLECTION  
CHN1

TRANSMISSION/REFLECTION

LOG MAGNITUDE

REF=-10.000 dB

10.000 dB/DIV



TRACE MEMORY  
CHANNEL 1

VIEW  
DATA

MEMORY

DATA AND MEMORY

DATA (/) MEMORY

SELECT TRACE MATH

STORE DATA TO  
MEMORY  
(STORED )

DISK  
OPERATIONS

RETURN

STORED DATA  
IS INVALID