



PARTS NUMBER REQUEST & APPROVAL SHEET

Powering Communications

1. Part Number:

AAZAND2S2942510000

申請單：新增料件
新增經銷商
變更單

2. 製造商：
(Manufacturer)

譚裕實業(股)

製造商料號：
(Manufacturer P/N)

C942-510009-A

3. 經銷商：
(Supplier)

譚裕實業(股)

經銷商料號：
(Supplier P/N)

C942-510009-A

4. 種類名稱：
(分群碼)

Antenna

5A. 品名描述(Part Description) :

ANT-D 譚裕 C942-510009-A

5B. 規格描述(Spec.Description) :

2.4GHz 2dBi swivel-SMA RoHS

6. 變更原因說明(Change Reason) :

(申請或變更料號請附上規格說明書) 如有任何變更, 須事前聯絡, 取得承認後, 始能變更

7. Series Approval 請勾選(規格請參照 _____ 系列承認書)

8. 樣品發行: BILLION EG-B None

9. 備註(Remark): 此料已於5200G-7300G 機種驗證通過

DCC 文管中心發行章	主管核准 Manager Signature		審查 Engineer Signature		承辦
	M.E.	E.E.	M.E.	E.E.	
	N/A		N/A		 2007.6.25
	*無須審核者以"N/A"表示 *簽名時應註明日期				

申請日: 2007/6/25

(Request Date)

楊勝凱

申請者 (Request)

台北實驗室

申請單位(Department)



鍵入者 (Key-in)

由零件工程師填寫

料號申請/零件承認單: 第 1 頁



WHA YU INDUSTRIAL CO., LTD. (HEAD OFFICE)
 DONGGUAN AEON TECH CO.,LTD.(CHINA)
 TAI HWA ELECTRONIC CO., LTD.(CHINA)
 SHANGHAI HUA YU ELECTRONIC CO., LTD.(CHINA)
 SU ZHOU AEON TECH CO., LTD. (CHINA)

SPECIFICATION FOR APPROVAL

CUSTOMER: 盛達電業股份有限公司


PART NAME: RF Antenna Assembly

PART NO.:

REVISION:

W. Y. P/NO.: C942-510009-A

REV.: XI

	MANUFACTURER SIGNATURE	CUSTOMER SIGNATURE
APPROVED BY :	吳忠華 	
DATE :	4/9-2011	

WHA YU GROUP

WHA YU INDUSTRIAL CO., LTD.(HEAD OFFICE)

譚裕實業股份有限公司

Address: No. 326, Sec. 2, Kung Tao 5 Road, Hsin Chu City, Taiwan, R.O.C.

Tel: +886-3-5714225(REP.) Fax: + 886-3-5713853 · + 886-3-5723600

DONGGUAN AEON TECH CO.,LTD.(CHINA)

東莞台霖電子通訊有限公司

Address: Lakeside Industrial Park, Da Ling Shan Town, Dong Guan City, Guangdong, China

Tel: + 86-769-85655858 Fax: + 86-769-8565525

TAI HWA ELECTRONIC FACTORY

台樺電業製品廠

Address: Pak Ho District, Hou Street Town, Dong Guan City, Guangdong, China

Tel: + 86-769-85599375 · + 86-769-85912375 Fax: + 86-769-85599376

HUA HONG INTERNATIONAL LTD.

華弘國際有限公司

Address: Rm.1103A, President Commercial Centre, 608 Nathan Road, Mong Kok, Kowloon, Hong Kong

Tel: + 86-852-27712210 Fax: + 86-852-23843747

SHANGHAI HUA YU ELECTRONIC CO., LTD. (CHINA)

上海譚裕電子有限公司

Address: 3586, Wai Qing Song Road, Qing Pu County, Shanghai China

Tel: + 86-21-59741348 · + 86-21-59744101~4 Fax: + 86-21-59741347

SU ZHOU AEON TECH CO., LTD. (CHINA)

蘇州華廣電通有限公司

Address: Limin North Road, LiLi Town, LiLi Industrial Park, LinHu Economic Zone

Wujiang City, Jiangsu Province, China

Tel: + 86-512-63627980 Fax: + 86-512-63627981

Contents

<i>Item</i>	<i>Description</i>	<i>Page</i>
1.	天線規格表 1
2.	成品圖 2
3.	測試報告 3~6
4.	Cable 規格 7~8
5.	Connector 材質特性 9
6.	RoHS 排外條款 10

RF Antenna Cable Assembly

Specification

1. Electrical Properties :

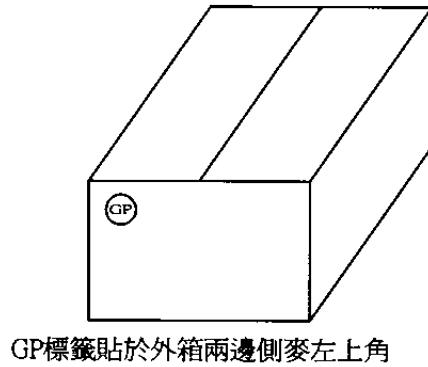
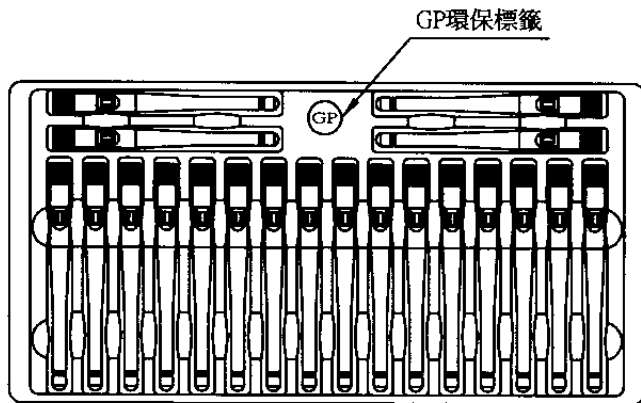
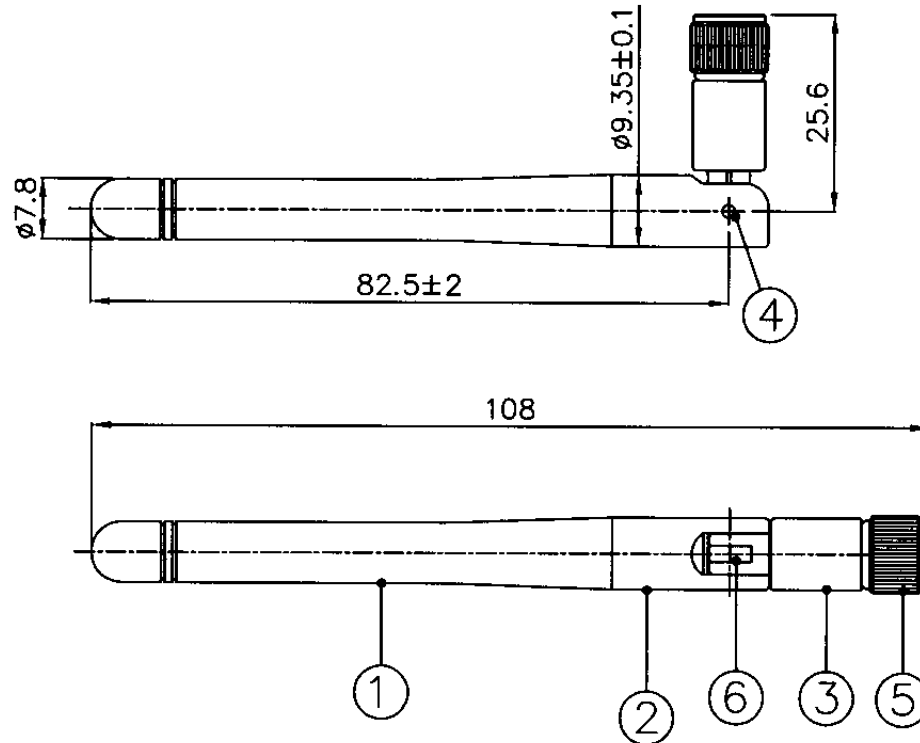
- 1.1 Frequency Range..... 2.4GHz ~ 2.5GHz
- 1.2 Impedance 50Ω Nominal
- 1.3 VSWR 1.92 : 1 Max.
- 1.4 Return Loss..... -10 dB Max.
- 1.5 Radiation Omni-directional
- 1.6 Gain..... 1.8dBi typ.
- 1.7 Admitted Power..... 1W
- 1.8 Cable..... RG-178 Coaxial Cable
- 1.9 Connector..... SMA Plug Reverse

2. Physical Properties :

- 2.1 Antenna Cover..... TPE
- 2.2 Antenna Base..... PC
- 2.3 Antenna Base..... PBT
- 2.4 Operating Temp. -10 ~ +60
- 2.5 Storage Temp. -10 ~ +70
- 2.6 Color Black

CG-

REV	DATE	DESCRIPTION
X1	4/17-2007	New Issue



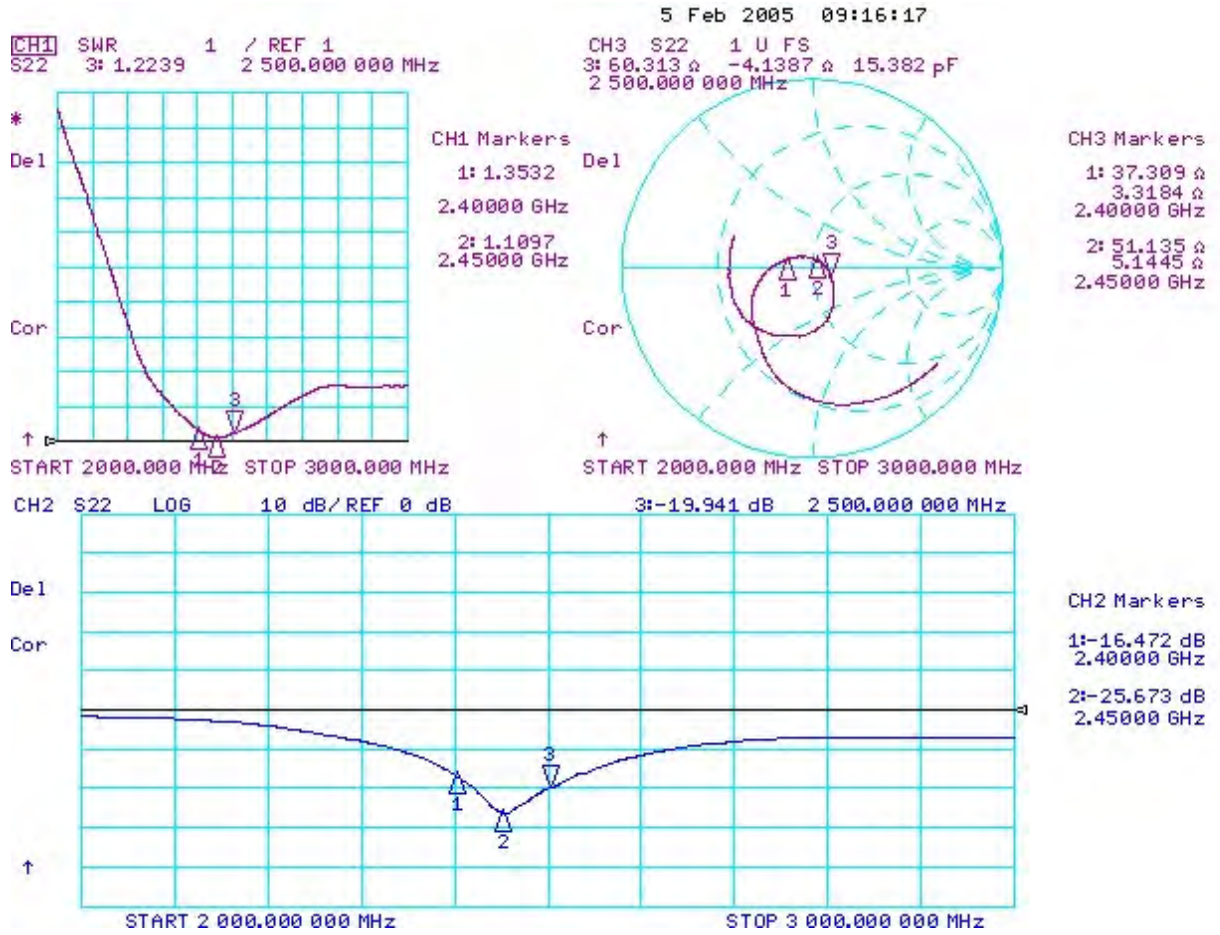
6	Cable	RG-178 , Translucent Brown ; 50 Ω	1	
5	Connector	SMA Straight Plug/Reverse	1	
4	Rivet	POM , Black	2	
3	Antenna Base	PBT ; Color:Black	1	
2	Antenna Base	PC ; Color:Black	1	
1	Antenna Cover	TPE ; Color:Black	1	
NO	DESCRIPTION		QTY	REMARK

CUSTOMER'S SIGNATURE	XX	±5	APPROVED	CUSTOMER: 盛達
	X	±3.0	<i>WINSO</i>	
	.X	±1.0	CHECKED	
	.XX	±0.5	廖志明	
	.XXX	±0.1	DRAWING	
			程淑娟	PART NO :
				PARTNAME: RF Antenna Assembly
				W.Y P/NO : C942-510009A
				REV UNIT FILE :
				X1 m/m SHEET : 1/1

M.gear Wha Yu Group

THIS DRAWING, AND ITS INHERANT DESIGN CONCEPTS, ARE THE PROPERTY OF WHA YU AND AS SUCH MAY NOT BE COPIED, REPRODUCED, OR GIVEN TO THIRD PARTIES WITHOUT THE WRITTEN CONSENT OF WHA YU.

RF Antenna Assembly
 P/NO :C942-510009-A SPEC : 2.4GHz



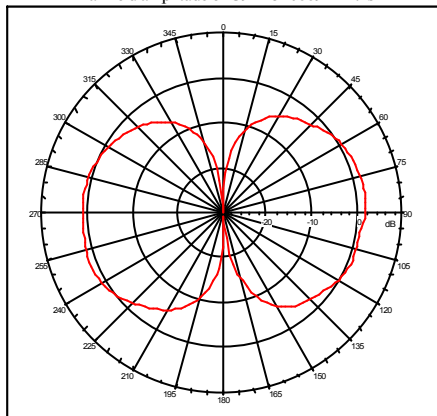
6/1/2005



譚裕實業股份有限公司

WHA YU INDUSTRIAL CO., LTD

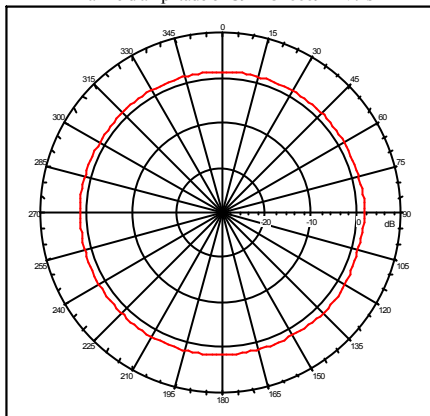
Far- field amplitude o C942-510009-4-H.nsi



2.4GHz

Gain = 1.71342 dBi

Far- field amplitude o C942-510009-4-V.nsi

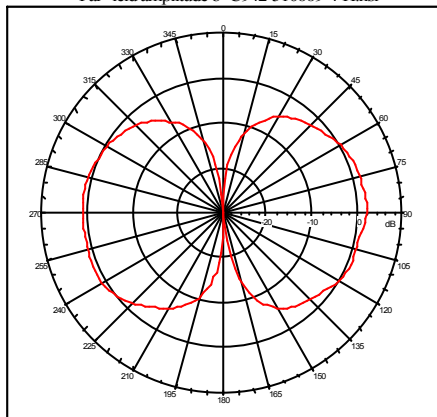


2.4GHz

Gain = 1.53731 dBi

Avg value: 1.266 dB

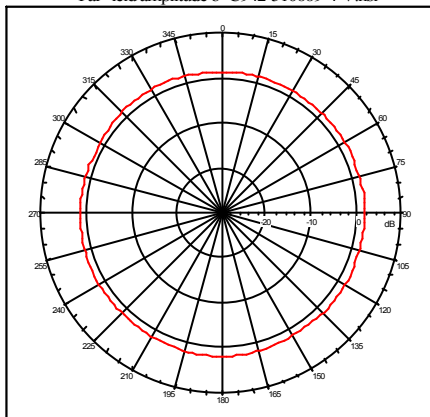
Far- field amplitude o C942-510009-4-H.nsi



2.45GHz

Gain = 1.80788 dBi

Far- field amplitude o C942-510009-4-V.nsi

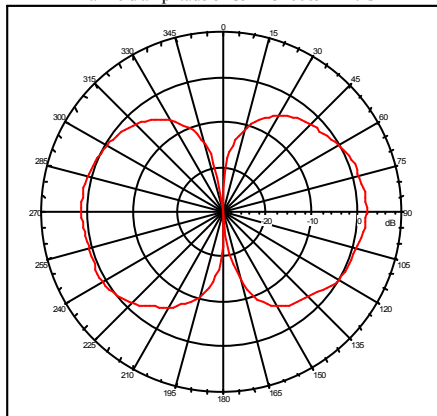


2.45GHz

Gain = 1.6137 dBi

Avg value: 1.335 dB

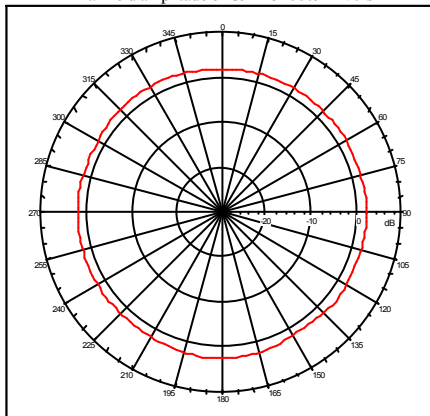
Far- field amplitude o C942-510009-4-H.nsi



2.5GHz

Gain = 1.80662 dBi

Far- field amplitude o C942-510009-4-V.nsi



2.5GHz

Gain = 2.21979 dBi

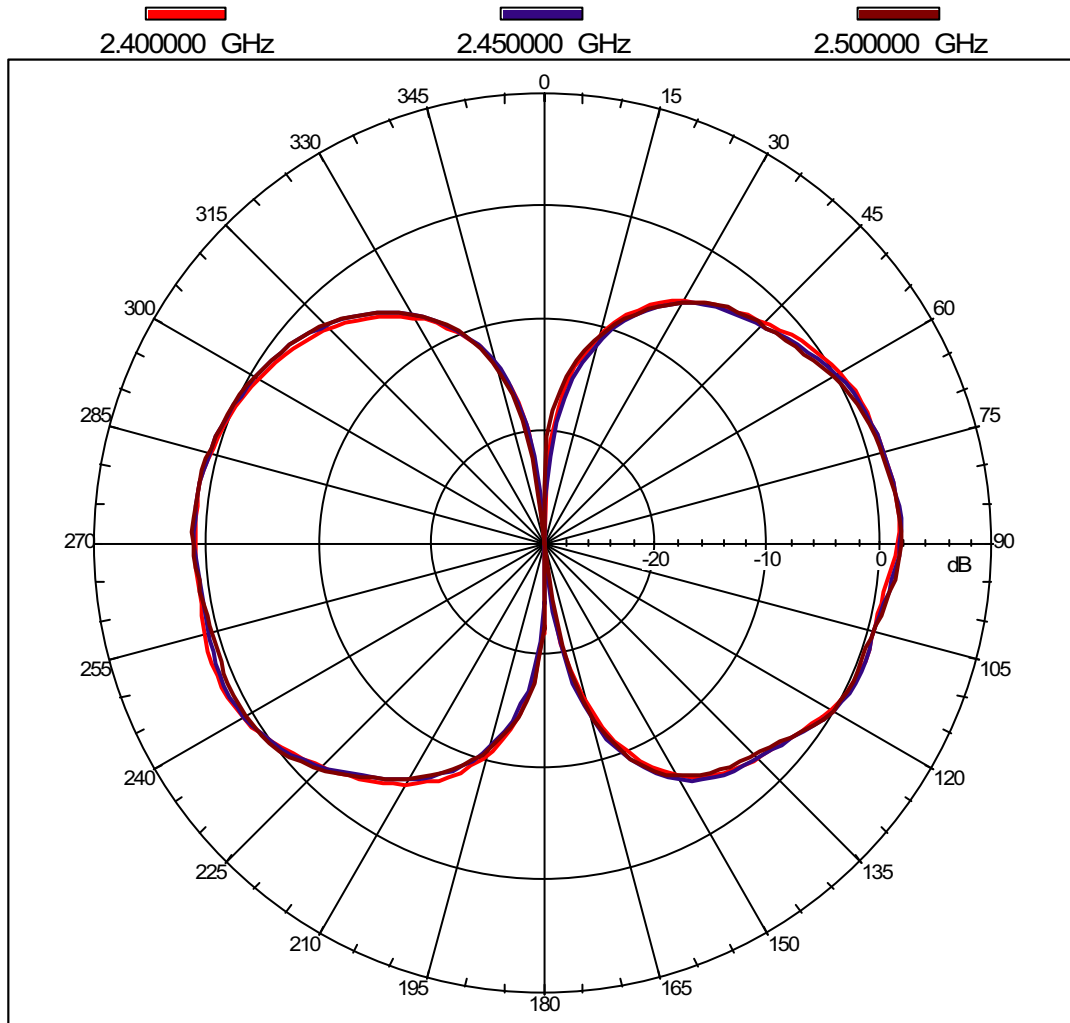
Avg value: 1.781 dB



譚裕實業股份有限公司

WHA YU INDUSTRIAL CO., LTD

Far- field amplitude of C942-510009-A | -H.nsi

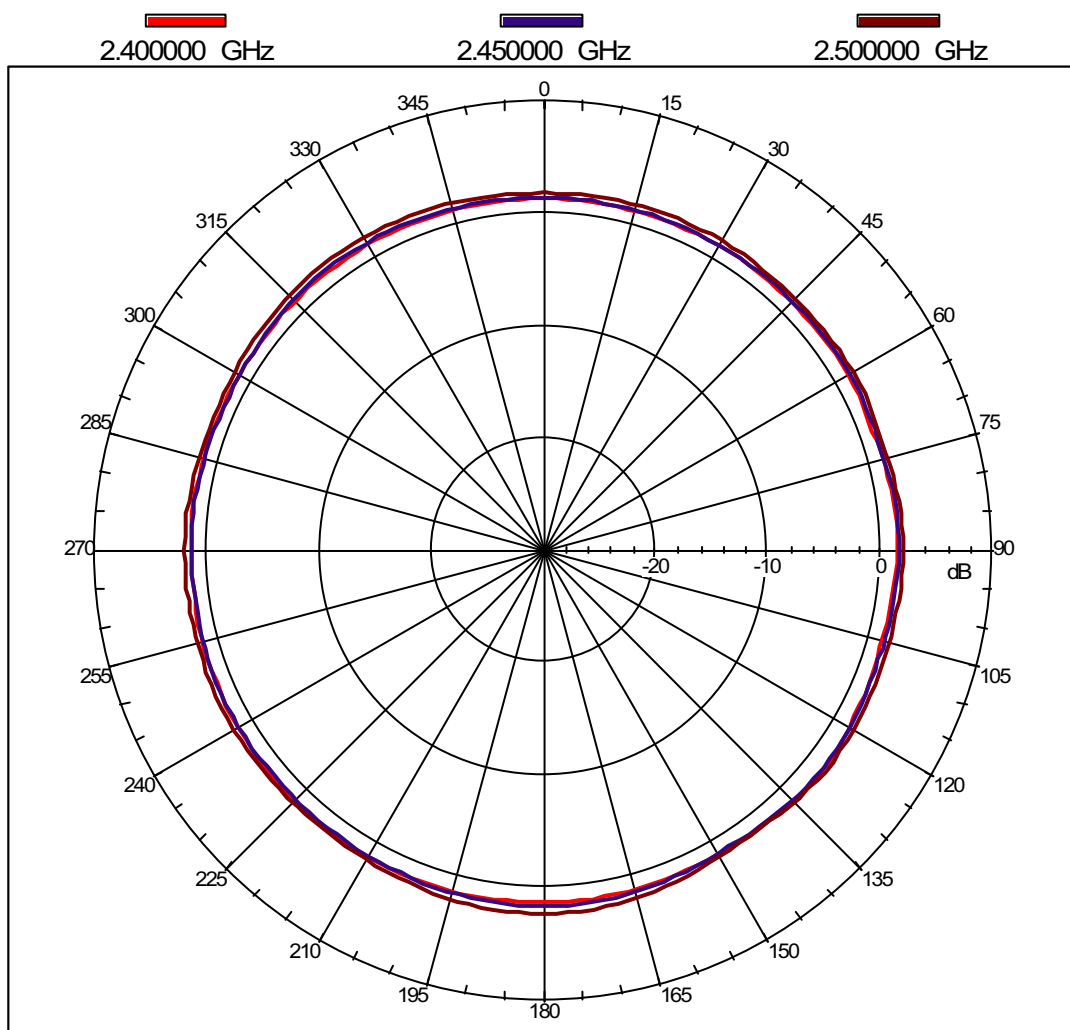




譚裕實業股份有限公司

WHA YU INDUSTRIAL CO., LTD

Far- field amplitude of C942-510009-A Γ -V.nsi

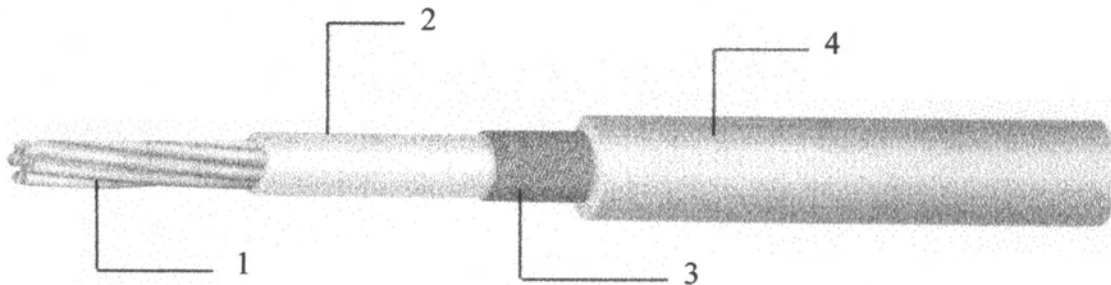


RG 178 B/U	FEP INSULATED HIGH-FREQUENCY COAXIAL CABLE	PAGE	1 / 2
PRODUCT STANDARD		ISSUED	21. Oct. 2003
		REVISED	

I - Scope

This specification presents a FEP insulated high-frequency coaxial cable AWG 30, 1.8 mm O.D. for internal wiring of electronic equipment, such as Computer / Notebook with wireless communication systems.

II - Construction



Item	Unit	Details
1. Inner Conductor	Material	— CP-AG
	Composition	No./mm AWG 30 or 7 × 0.1
	Dia. (approx.)	mm 0.305
2. Dielectric	Material	— Extruded FEP
	Nom. O.D.	mm 0.84 ± 0.05
	Color	— Natural
3. Outer Conductor	Material	— Silver coated copper
	Composition	— Braided (16 / 3 / 0.1)
	Dia. (approx)	mm 1.29 ± 0.07
4. Jacket	Material	— Extruded FEP
	Dia.	mm 1.80 ± 0.08
	Color	— Standard color is Light Orange

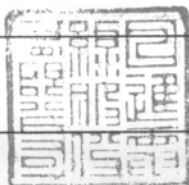
Note :		MADE BY	<i>Shen Bin Chiat</i>
		APPROVALS	<i>Shen Bin Chiat</i>

RG 178 B/U	FEP INSULATED HIGH-FREQUENCY COAXIAL CABLE	PAGE	2 / 2
PRODUCT STANDARD		ISSUED	21. Oct. 2003
		REVISED	

III – Characteristics

Item	Unit	Specified Value	Note
Temperature Rating	°C	-55 ~ +200	
Voltage Lasting	V	1000	
Dielectric strength	—	Dielectric core: No breakdown at AC 3 kv for 0.2 sec.	Spark test
		Jacket: No breakdown at AC 3 kv for 0.2 sec.	Spark test
Characteristic Impedance	Ω	50 ± 2	TDR method
Capacitance	pF / ft	29.4	
Attenuation. (Max.)	dB/100ft	16.0	100.0 MHz
		33.0	400.0 MHz
		52.0	1.0 GHz
		94.0	3.0 GHz
Approx. Weight	g / m	7.68	

Note :



MADE BY

Chuebe Lin

APPROVALS

Shen Bin Chao



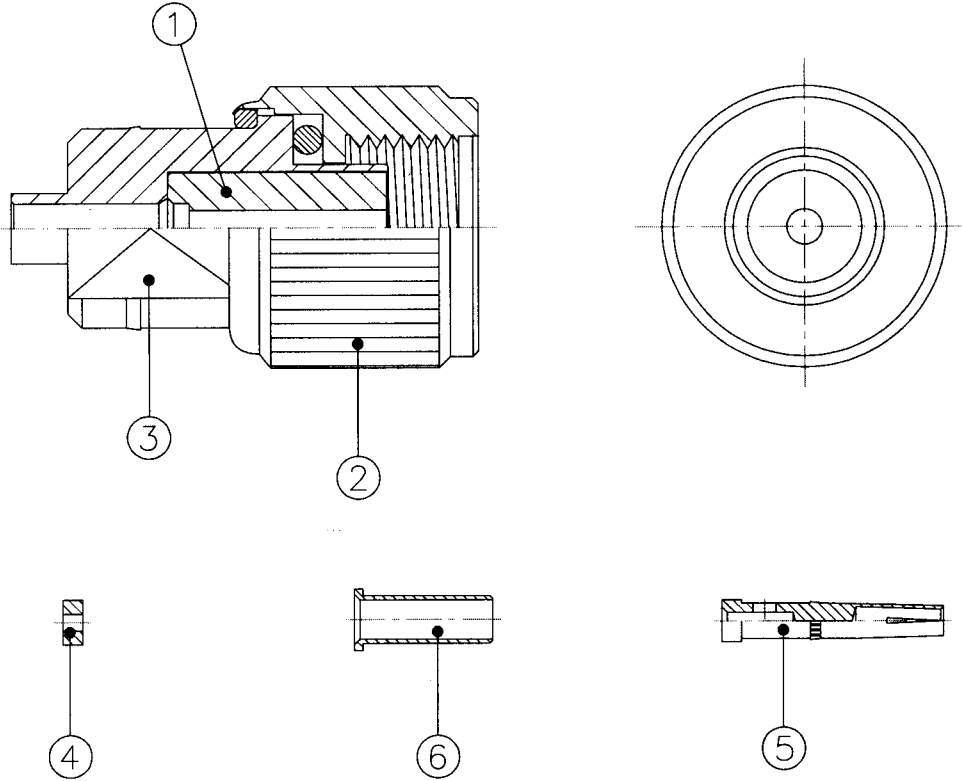
譚裕實業股份有限公司

WHA YU INDUSTRIAL CO., LTD

Connector 材質證明書

譚裕料號 Whayu P/N	100-2001150-AZ	產品名稱 Product Name	SMA Plug Reverse Straight For RG-178
-------------------	----------------	----------------------	--------------------------------------

結構圖面



材質成份

表面處理

		材質成份							表面處理	
1	絕緣體	Teflon	PTFE							N/A
2	外殼	Brass	Cu	Pb	Fe	Fe+Sn	Zn		電著	
3	本體	Brass	Cu	Pb	Fe	Fe+Sn	Zn		鍍鎳	
4	絕緣體	Teflon	PTFE							N/A
5	中心針	Phos. Bronze	Cu	Sn	P	Zn	Pb		鍍金	
6	尾管	Brass	Cu	Pb	Fe	Fe+Sn	Zn		鍍鎳	

Remark :



ET-QA-0017-A2



RoHS 排外條款說明
RoHS Exclusive item Hazardous Substance

本公司保證，本產品均屬環保產品，皆符合 RoHS 法規要求，並適用於 RoHS 規定之排除條款。

We hereby confirm and assure that all parts and sub-materials delivered to your company comply with RoHS Standard and apply to RoHS Exclusive item.

RoHS 合金類排除條款要求如下：

RoHS Exclusive item :

合金種類 alloys item	鉛允許含量(ppm) Lead acceptance concentration
鋼材 steel	<3,500ppm
鋁合金 aluminium alloys	<4,000ppm
銅合金 copper alloys	<40,000ppm
焊錫 solder	<1,000ppm

立承諾書人

公司名稱：華裕實業股份有限公司
company name: WHA YU INDUSTRIAL CO., LTD

公司地址：新竹市公道五路二段 326 號
company address: No.326. Sec 2. Kung Tao 5 Road. Hsin Chu City, Taiwan

聯絡電話：03-5714225
TEL: +886-3-5714225

負責人：_____ 林祺生 _____ 董事長
sign by

立約日期：西元 2006 年 9 月 05 日
Date: 2006. 09. 05

