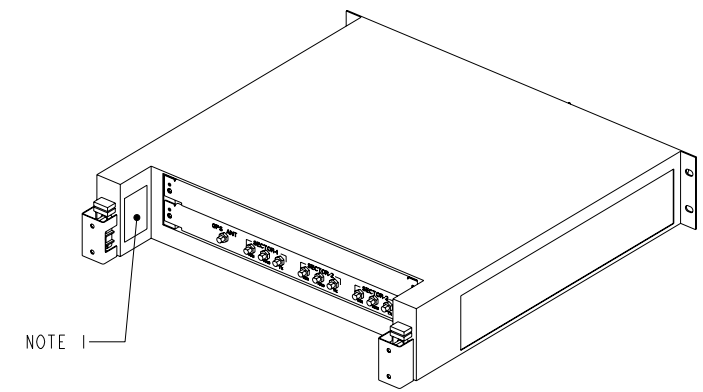
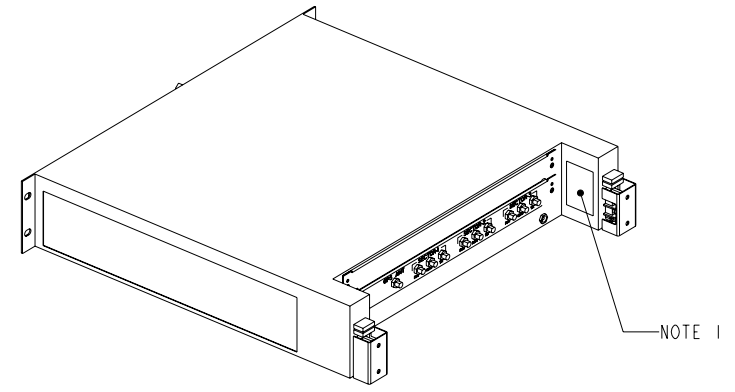
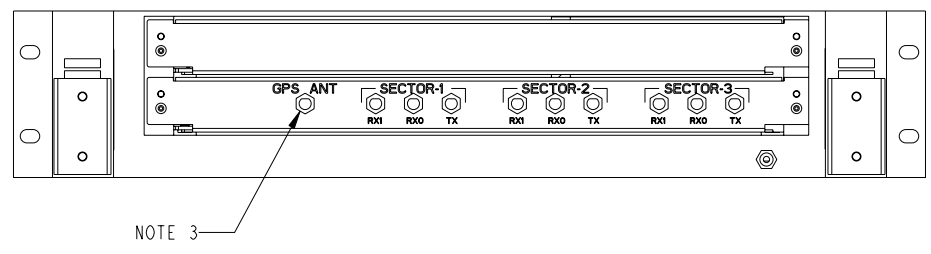
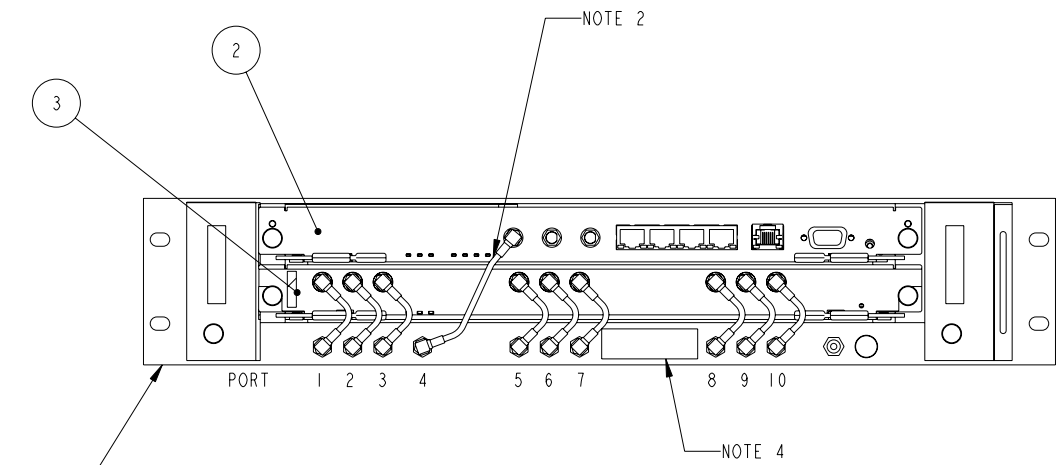


**NOTES:**

1. CUT LABEL ALONG VERTICAL LINE AND ADD LABEL  
FIND NO. 4 TO CHASSIS APPROX WHERE SHOWN
2. INSTALL RF JUMPERS AS SHOWN TORQUE SMA TO 8 IN-LBS
3. SEE WIRING TABLE FOR INSTALLATION REQUIREMENTS OF CHASSIS RF CABLING.  
TIE CABLE TO TIE PLATES USING TIE-WRAPS AS REQUIRED
4. LOCATE PART NUMBER AND SERIAL NUMBER LABEL APPROX WHERE SHOWN

REVISIONS				
REV	DESCRIPTION OF REVISION	ECN #	REVISED BY	DATE
01	INITIAL ENGINEERING RELEASE	C000875	-	XX-XX-2006



WIRING TABLE		
PART NUMBER	FROM	TO
600653	PORT 1	SECTOR-3 - RX1
600653	PORT 2	SECTOR-3 - RX0
600653	PORT 3	SECTOR-3 - TX
600653	PORT 4	GPS ANT
600653	PORT 5	SECTOR-2 - RX1
600653	PORT 6	SECTOR-2 - RX0
600653	PORT 7	SECTOR-2 - TX
600653	PORT 8	SECTOR-1 - RX1
600653	PORT 9	SECTOR-1 - RX0
600653	PORT 10	SECTOR-1 - TX

**Airvana**

AIRVANA INC. 19 Alpha Road  
Chelmsford, MA 01824 (978) 250-4455

TOLERANCES UNLESS OTHERWISE SPECIFIED		MATERIAL:	TBD																		
<table border="1"> <thead> <tr> <th></th> <th>X</th> <th>.X</th> <th>.XX</th> <th>.XXX</th> <th>ANGLES</th> </tr> </thead> <tbody> <tr> <td>Inches</td> <td>N/A</td> <td>0.1</td> <td>0.03</td> <td>0.015</td> <td>1°</td> </tr> <tr> <td>mm</td> <td>0.75</td> <td>0.25</td> <td>N/A</td> <td>N/A</td> <td>1°</td> </tr> </tbody> </table>			X	.X	.XX	.XXX	ANGLES	Inches	N/A	0.1	0.03	0.015	1°	mm	0.75	0.25	N/A	N/A	1°	FINISH:	TBD
	X	.X	.XX	.XXX	ANGLES																
Inches	N/A	0.1	0.03	0.015	1°																
mm	0.75	0.25	N/A	N/A	1°																
UNLESS OTHERWISE SPECIFIED - INTERPRET PER ASME Y14.5M 1994 - ALL DIMENSIONS IN INCHES - DO NOT SCALE DRAWING		DESIGNED BY:	DATE:																		
THIRD ANGLE PROJECTION		K. Craig	XX-XX-2006																		
		DRAWN BY:	DATE:																		
		K. Craig	XX-XX-2006																		
		CHECKED BY:	DATE:																		
		B. Hamilton	XX-XX-2006																		
		SCALE 1:4	DWG SIZE PART NUMBER																		
			B 810058																		
			REV 01																		
		CAD GENERATED DRAWING SHEET: 1/1																			

**ASSY; DWG, IPBTSC30**

THIS DOCUMENT CONTAINS INFORMATION WHICH IS THE EXCLUSIVE PROPERTY OF AIRVANA INC. DISTRIBUTION, REPRODUCTION OR USE BY OTHERS IS NOT PERMITTED WITHOUT THE EXPRESS WRITTEN CONSENT OF AIRVANA INC.