



17 May 21

Equipment Authorization Division
Office of Engineering and Technology
Federal Communications Commission
7435 Oakland Mills Road
Columbia, MD 21046

Dear Sirs:

[Bell Sports Inc.](#) requests acceptance of the labeling proposal described below for [Turn signal light remote unit](#) bearing FCC identifier [FCC ID: QH67115952RV2](#).

The subject [Turn signal light remote unit](#) models as shown in figure 1, authorized under FCC Part 15 Subpart C



figure 1



It is because the surface of the device does not enough to indicate the FCC statement. For this reason, [Bell Sports Inc.](#) proposes those statements is showing on the user manual and the device is carrying the FCC ID number only. The figure2 is showing the FCC ID location.

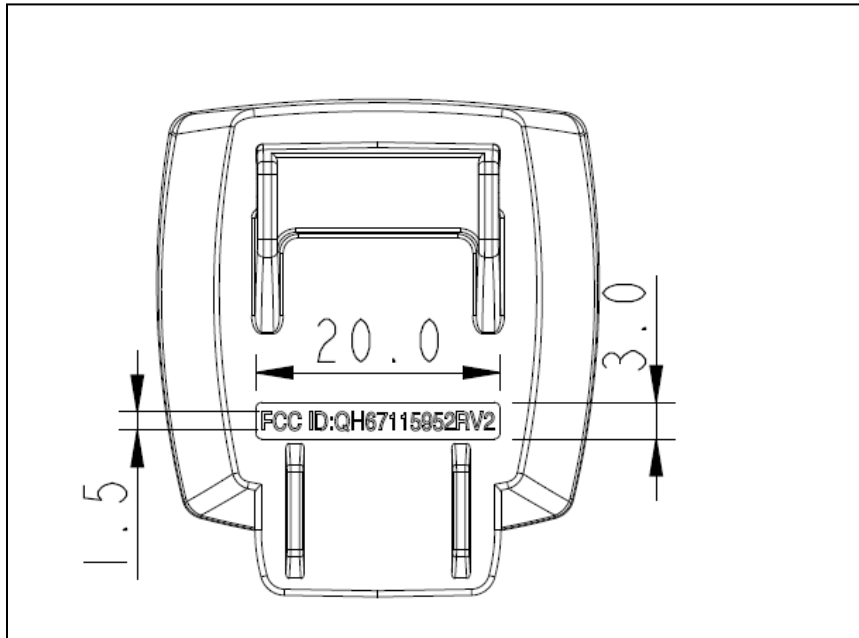


figure 2

Sincerely,

[Bell Sports Inc.](#)

A handwritten signature in black ink, appearing to read "K. Bretting", written over a horizontal dashed line.

[Bell Sports Inc.](#)
[Kyle Bretting](#)
[QC Engineer](#)