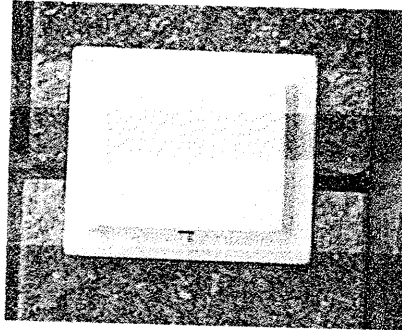


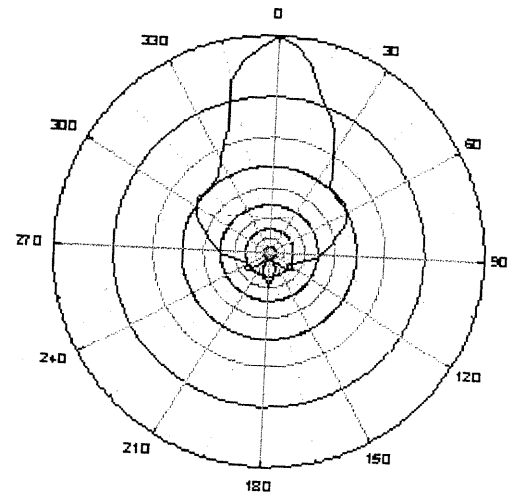
5.8GHz 14dBi directional panel antenna

Model Number: ASTJ22

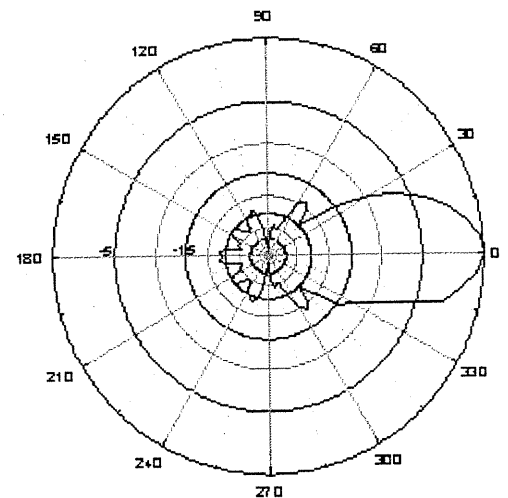


Technical Specifications

No	ITEM	TYPICAL	REMARKS
1	Frequency Range	5700 — 5900 MHz	
2	Impedance	50 Ω	
3	VSWR (or Return Loss)	< 1.5:1 (or > 14dB)	
4	Gain	>14dBi	
5	Polarization	Vertical, Linear	
6	3dB Horizontal Beamwidth	32 Degrees	
7	3dB Vertical Beamwidth	33 Degrees	
8	Front to Back Ratio	> 28dB	
9	Max. Power Input	20W	
10	Connector	Female N-Type/SMA, Bottom Feed	Or Custom Design
11	Appearance	Panel Type	See Attached Picture
12	Size	123 × 115 × 28 [mm]	
13	Housing Material	Powder Coated Aluminum	
14	Radom Material	ABS with UV Protection	
15	Radom Color	White	
16	Case Design	Water Resistance	
17	Weight	100g	
18	Wind Loading (Frontal)	> 10Kg	200km/h
19	Temperature Range	-45 to +75 Degrees	
20	Storage Temperature	-30 to +75 Degrees	
21	Lighting Protection	Direct Grounding	



H-Plane Radiation Pattern



E-Plane Radiation Pattern