

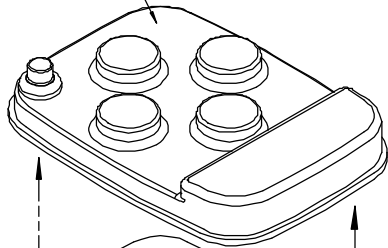
OR6532D

D 1 X.00 1 of 1

DIMENSIONAL TOLERANCES UNLESS OTHERWISE SPECIFIED

INCH ANGLES METRIC  
.XX = ±.010 .XXX = ±.005 ±1/2° X = ±.2 mm .XX = ±.1 mm

OX65310-89-00-03  
BUTTON PAD

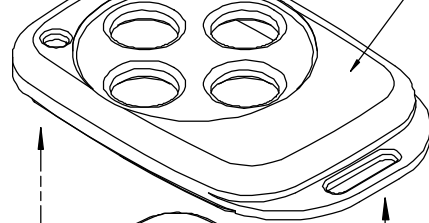


OX65313-00-00-01  
PC BOARD ASSEMBLY

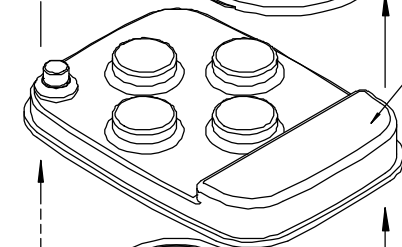
**STEP #1**

INSERT PC BOARD ASSEMBLY INTO BUTTON PAD AS SHOWN

OX65310-89-00-01  
UPPER HOUSING



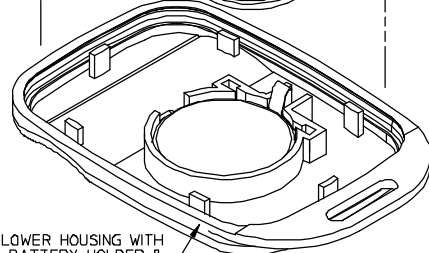
BUTTON PAD WITH  
PC BOARD ASSEMBLY



**STEP #3**

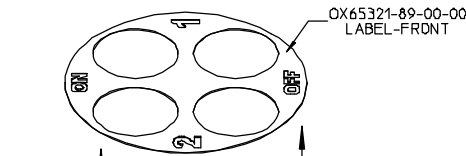
ASSEMBLE BUTTON PAD/PCB ASSY INTO UPPER HOUSING. ALIGN UPPER AND LOWER HOUSINGS. SQUEEZE UNTIL HOUSINGS SNAP TOGETHER.

LOWER HOUSING WITH  
BATTERY HOLDER &  
LITHIUM BATTERY



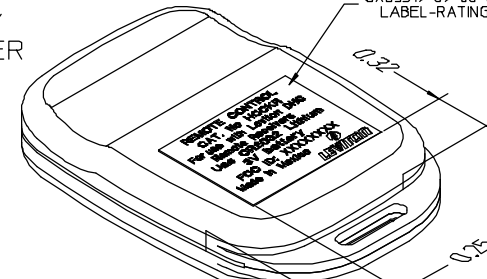
**STEP #4**

APPLY FRONT LABEL AND RATING LABEL AS SHOWN.

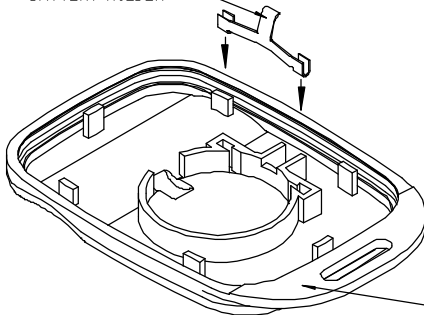


OX65321-89-00-00  
LABEL-FRONT

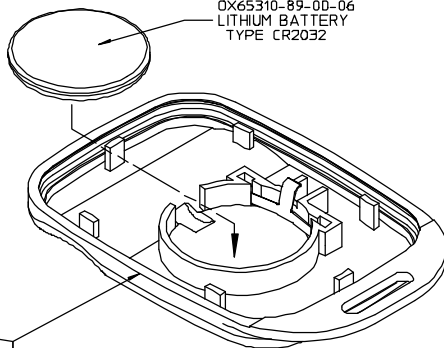
OX65319-89-00-00  
LABEL-RATING



OX65310-89-00-04  
BATTERY HOLDER



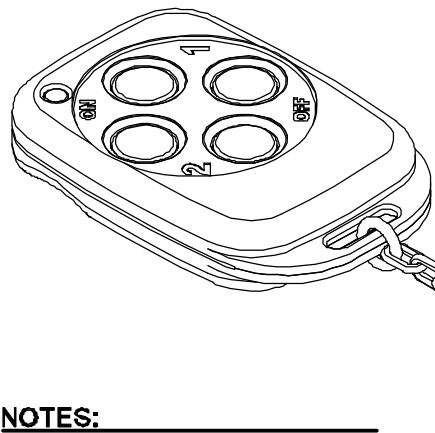
OX65310-89-00-06  
LITHIUM BATTERY  
TYPE CR2032



OX65310-89-00-02  
LOWER HOUSING

**STEP #2**

INSERT BATTERY HOLDER INTO LOWER HOUSING AS SHOWN; AND THEN INSTALL THE BATTERY OBSERVE PROPER POLARITY (POSITIVE "+" SIDE FACE DOWN).



OX65310-89-00-07  
KEY-RING ASSEMBLY

**STEP #5**

ATTACH KEY RING ASSY AS SHOWN BY CRIMPING RETAINING RING THROUGH SLOT IN HOUSINGS.

**NOTES:**

1. SEE BILL OF MATERIALS FOR PART NUMBERS.

REV	DATE	DESCRIP. / EOLN.	CH'D	APP'D
X 00	2002/05/19	0000000	mzx	djl

The information in this document is the exclusive PROPRIETARY property of LEVITON MANUFACTURING COMPANY, INC. It is disclosed with the understanding that acceptance or review by the recipient constitutes an undertaking by the recipient, (1) to hold this information in strict confidence, and (2) not to disclose, duplicate, copy or use the information in whole or in part, for any purpose other than that for which disclosed.

Copyright © 2002 Leviton Mfg. Co. Inc. Unpublished. All Rights Reserved.

**LEVITON MANUFACTURING COMPANY**  
FINAL ASSEMBLY  
**DHC KEYCHAIN RF TRANSMITTER**

DRAWN	mzx	2002/05/13	REVIEW	
CHK'D	djl	2002/05/13		
APP'D	djl	09 09 10		OLD ENG.
ESP. CAT.	HCCKR		SCALE	2:1
PROJ.	958	STATUS	Eng	Review

OR6532D  
D 1 X.00 1 of 1