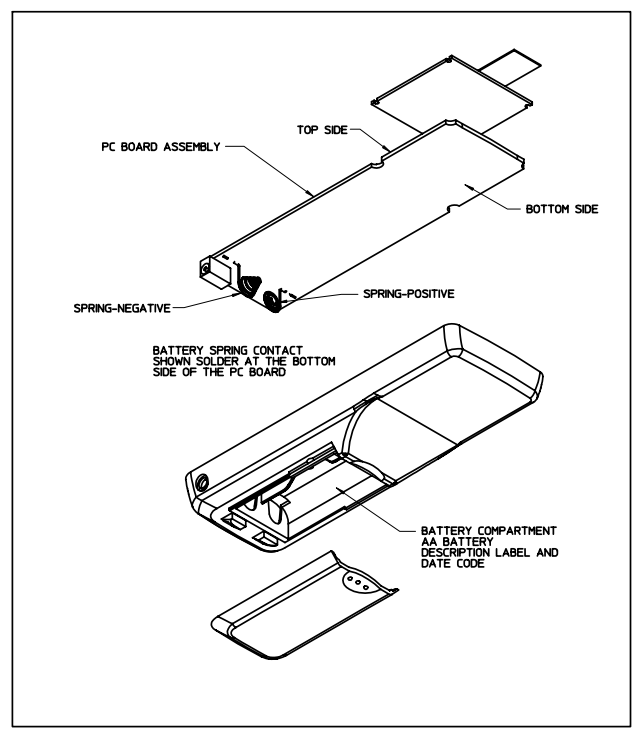
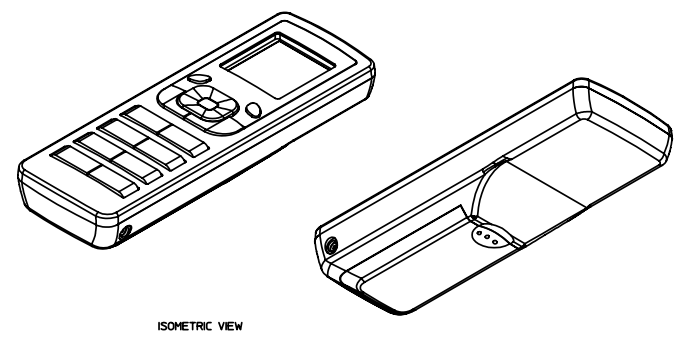
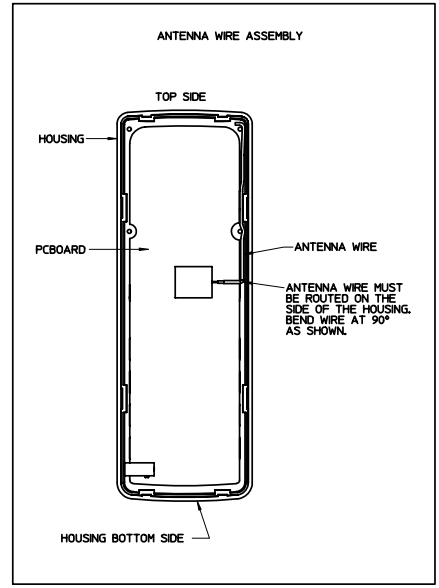
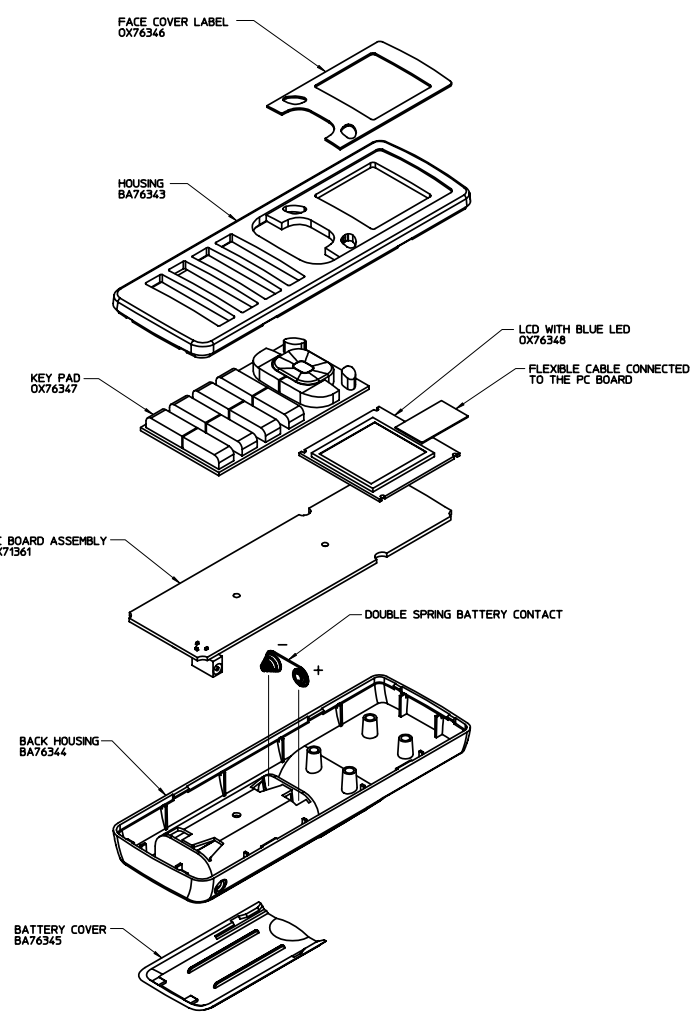


OR76968_D02	A.00	1 of 2	DIMENSIONAL TOLERANCES UNLESS OTHERWISE SPECIFIED			
			INCH		METRIC	
			.XX - ±.010	.XXX - ±.008	Ø.25	X - ±.2 mm



A.00	2006/07/20	0000000	T.J.L. (GHN)
REV	DATE	DESCRIP. / EQUL #	CHNGD / APPD

LEVITUM MANUFACTURING COMPANY

FINAL ASSEMBLY

Z WAVE PRIMARY CONTROLLER

The information in this document is the exclusive PROPRIETARY property of LEVITUM MANUFACTURING COMPANY, INC. It is disclosed with the understanding that acceptance or review by the recipient constitutes an understanding by the recipient that it holds this information in strict confidence, and is not to be disclosed, duplicated, copy or use the information in whole or in part for any purpose other than that for which disclosed.

Copyright © 2006 Levitum Mfg. Co., Inc. Unpublished. All Rights Reserved.

DRAWN	T.J.L.	2006/07/20	1	ISSUED
APPROV	(GHN)	2007/01/24		
FIELD	(GHN)	2007/01/24		OLD DWS.
PREP. DATE	RZCRP		ISSUE #	1
PROJ. #	817		STATUS	RELEASED

OR76968_D02

OR76968_D02 A.00 1 of 2