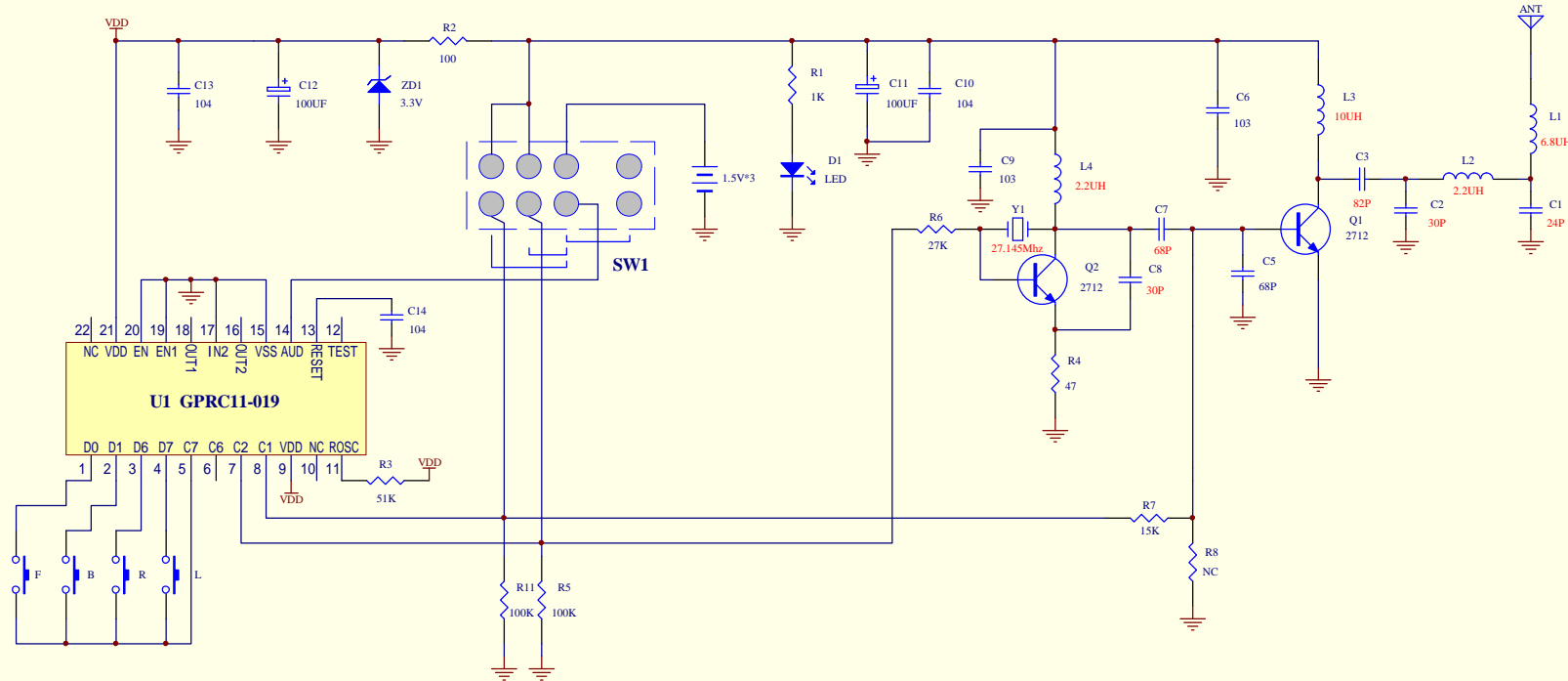


# G041/G043 TX.SCH - 27.145Mhz



LUNG CHEONG

TITLE	G041/G043 TX 27.145Mhz	DESIGN	ZZZ	DRAWING	ZZZ	APPROVED		SHEET	1 OF 1
FUNCTION	碰撞车								
DWG NO	G041TX27M.SCH-01								