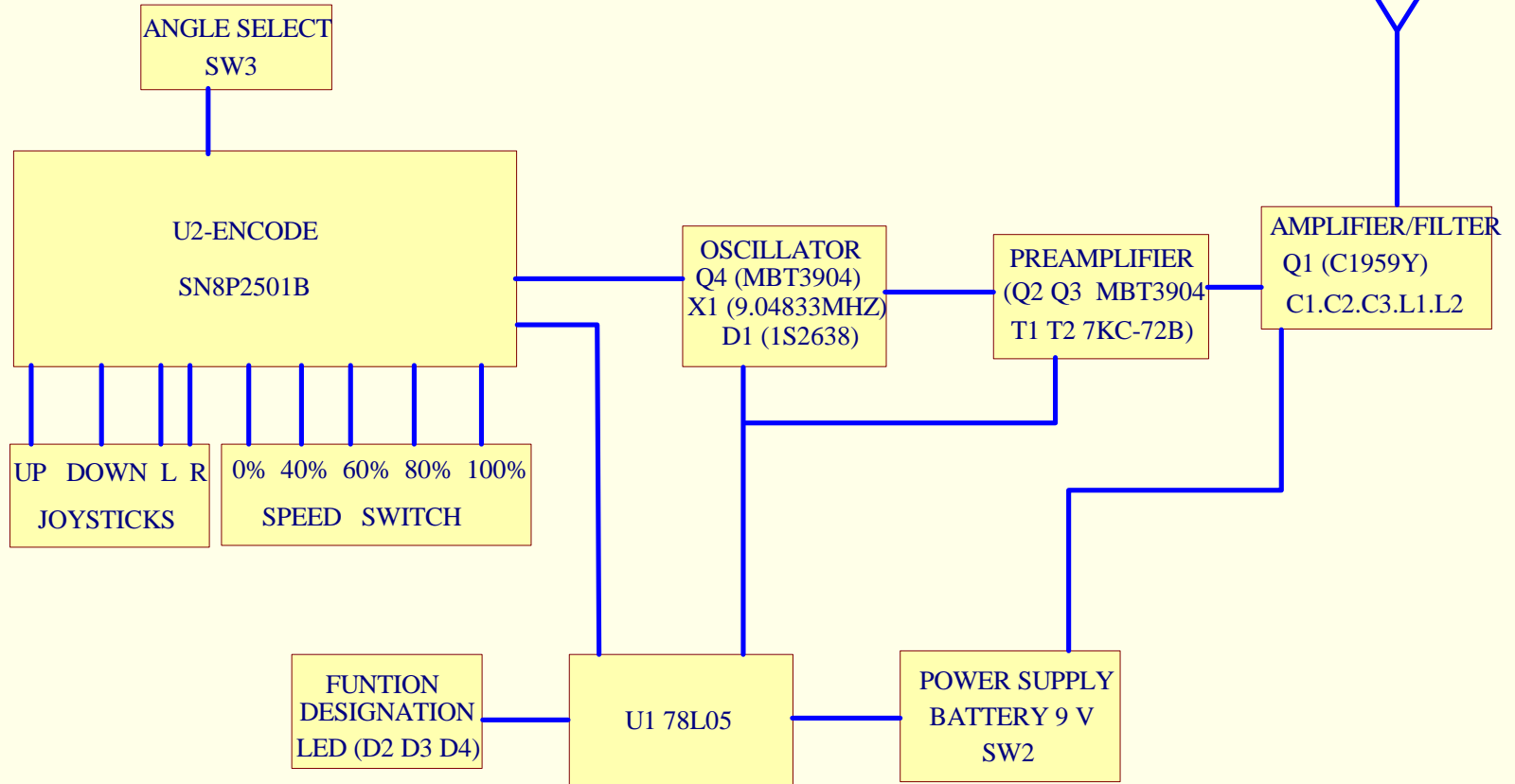


G258 TX 27MHZ



TITLE	G258-TX-27M	DESIGN	DRAWING	APPROVED	SHEET
FUNCTION	碰撞车	<i>ZZZ</i>	<i>ZZZ</i>		1 OF 1
DWG NO	G258 TX BLOCK DIAGRAM-1.0				