

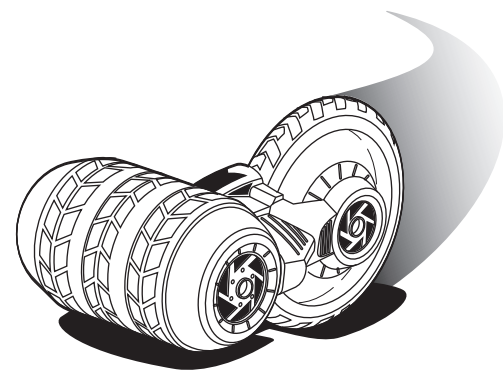
AMAZING FLIP AND REVERSE ACTION!

WORLD OF WHEELS Hammerhead R/C

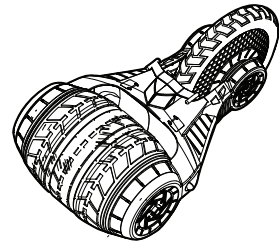
BATTERIES REQUIRED: 6 X "AA" cells, 1 X 9V cell (sold separately)
 WARNING! Always use under direct adult supervision. For use by ages 5 and up.
 Please read instruction booklet carefully before operating CyberCycle.
 Please keep instruction booklet and display box for future reference.

Any Questions?

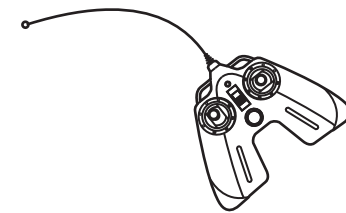
Email our Customer Service Dept.: customerservice@kidgalaxy.com
 Call our Customer Service Dept.: Kid Galaxy Customer Service, Toll Free 1-800-816-1135



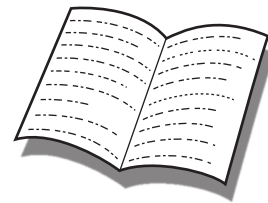
PACKAGE CONTENTS



Hammerhead

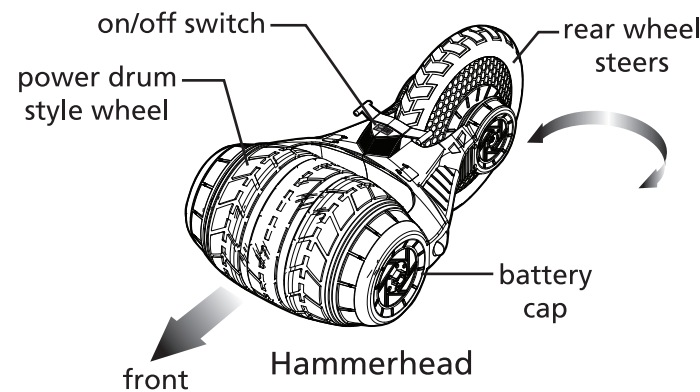


Transmitter

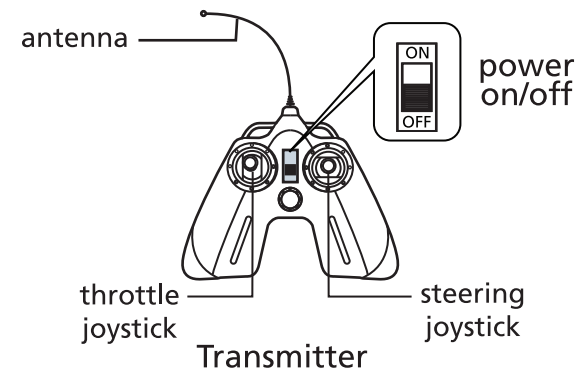


Instructions

PRODUCT DESCRIPTION

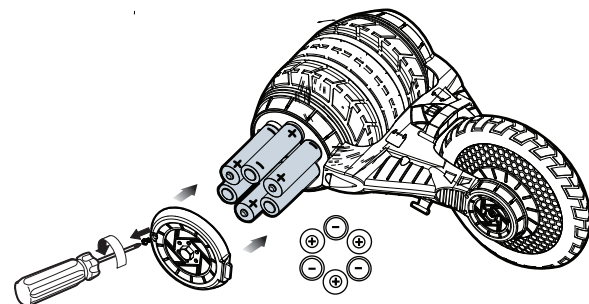


Hammerhead



Transmitter

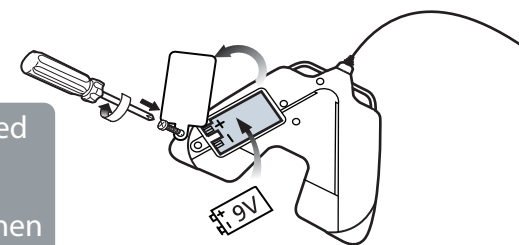
BATTERY INSTALL/REPLACEMENT



1. Unscrew battery cover on front drive hub with Phillips screwdriver.
2. Install six (6) AA 1.5v batteries with polarity as shown in battery box.
3. Replace battery cover, tighten screw securely.

Hammerhead

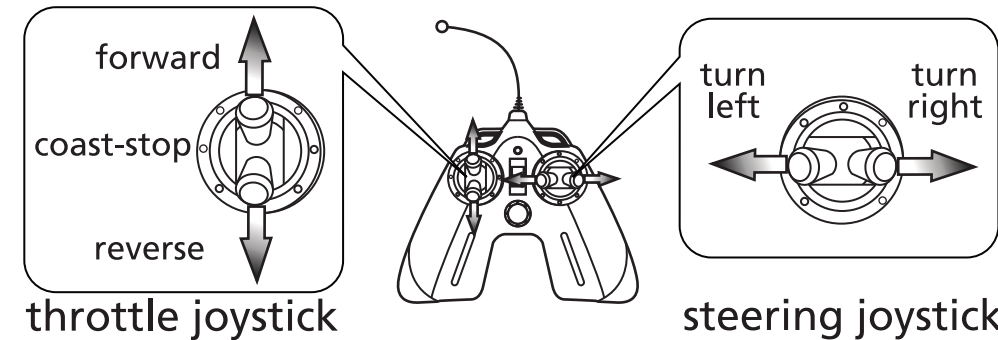
Hammerhead is equipped with low battery auto shutoff feature. Replace the batteries when Hammerhead shuts down."



1. Unscrew battery cover on rear controller with Phillips screwdriver.
2. Install 9 V battery with polarity as shown in battery box.
3. Replace battery cover and fasten in place with screwdriver.

Transmitter

DRIVING YOUR HAMMERHEAD



throttle joystick

steering joystick

Basic Operation

- 1) Turn power switches on both the cycle and the transmitter
- 2) Make steering and throttle inputs slowly at first
- 3) Hammerhead works best on non-smooth surfaces (asphalt, carpet, concrete)
- 4) Reversing direction causes the Hammerhead to "flip" direction

WARNING!

- 1) Run time for Hammerhead is approx. 30-45 minutes.
 - 2) Only operate your vehicle on sidewalks and playgrounds but NOT on roads where traffic is present.
 - 3) Avoid using your vehicle outside when it is raining, snowing, thundering or in strong winds or other poor weather conditions
- PLEASE READ THIS CAREFULLY BEFORE USING.**
- When you are running your Hammerhead, always keep it in your sight. Keep your hammerhead away from roads or other areas where you might collide with people, pets or cars.
 - When you are running the Hammerhead, always keep it in your sight. Avoid driving your Hammerhead under parked cars, etc.
 - Keep your fingers, hair, face and clothing away from the spinning front or rear wheels.
 - It is recommended that children should be under adult supervision when they are playing with the Hammerhead.
 - Do not play on a wet surface.
 - Keep away from fire or hot and/or humid environments.
 - Do not disassemble the product.
 - Do not place any objects on the spinning wheels.
 - Do not start your Hammerhead when the front and rear wheels are unable to turn freely.
 - Not recommended for children under 5 years old.

The improper use of the controller batteries may cause excessive heat, battery leakage, explosion and damage or lead to injury. Please read the instructions below.

- For best results, use type AA alkaline batteries.
- Do not mix alkaline, standard (carbon-zinc), or rechargeable (nickle-cadmium batteries).
- Do not mix old and new batteries.
- Install only new batteries of the same type in your product.
- Turn off power when installing or replacing batteries.
- Failure to install batteries in the correct polarity, as indicated in the battery compartment, may shorten the life of the batteries or cause batteries to leak.
- Do not dispose of batteries in fire.
- Remove the batteries when the product is not in use.
- Batteries should be recycled or disposed of as per state and local guidelines.

Other cautions when using the Hammerhead and its controller/transmitter:

- When other radio controlled products with the same frequency are used nearby, this may cause interference and your Hammerhead may not work properly.
- Do not bend, tear, strongly hit or drop the vehicle, transmitter, antenna shaft, or antenna wire.

FCC REQUIREMENT

Caution: Changes or modifications not expressly approved by the party responsible for compliance could void the user's authority to operate the equipment.

NOTE: This equipment has been tested and found to comply with the limits for a Class B digital device, pursuant to Part 15 of the FCC Rules. These limits are designed to provide reasonable protection against harmful interference in a residential installation. This equipment generates, uses and can radiate radio frequency energy and, if not installed and used in accordance with the instructions, may cause harmful interference to radio communications. However, there is no guarantee that interference will not occur in a particular installation. If this equipment does cause harmful interference to radio or television reception, which can be determined by turning the equipment off and on, the user is encouraged to try to correct the interference by one or more of the following measures:

- Reorient or relocate the receiving antenna.
- Increase the separation between the equipment and the receiver.
- Consult the dealer or an experienced radio/TV technician for help.
- Connect the equipment into an outlet in a circuit different from that to which the receiver is connected.

This device complies with part 15 of the FCC Rules. Operation is subject to the following two conditions:

- (1) this device may not cause harmful interference, and
 - (2) this device must accept any interference received, including interference that may cause undesired operation.
- Carrier frequency: , Field strength
 - Operation is subject to the following two conditions: (a) this device may not cause interference, and b) this device must accept any interference, including interference that may cause undesired operation of the device.
 - This device complies with RSS-310 of Industry Canada. Operation is subject to the condition that this device does not cause harmful interference.

KID GALAXY INC. LIMITED WARRANTY

Kid Galaxy's products are covered under a 60 day limited warranty against manufacturer's defects. If a product is deemed defective and falls within the 60 day period, Kid Galaxy will repair or replace it at no charge. We require

a copy of the original sales receipt to validate the purchase. Product must have been purchased within the US or Canada to be eligible.

Toll Free Hot Line: 800-816-1135

www.kidgalaxy.com
 Kid Galaxy, Inc.
 150 Dow Street,
 Tower 2, Suite 425B
 Manchester, NH 03101

WARNING:
 CHOKING HAZARD - Small parts
 Not for children under 3 years.

Kid Galaxy

Copyright 2013 © Kid Galaxy, Inc.