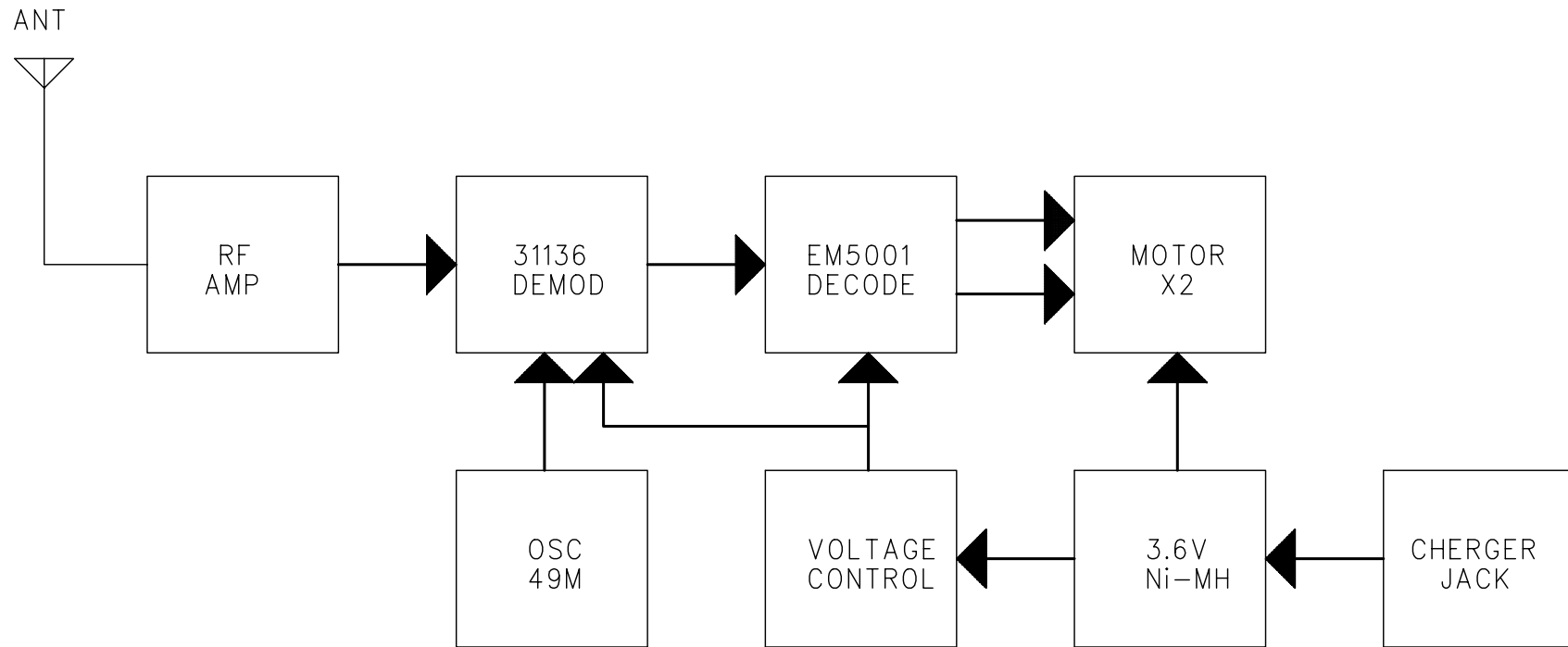


C647 RX BLOCK DIAGRAM



LUNG CHEONG

TITLE:	C647 RX 49M	DESIGN BY:	DRAWING BY:	APPROVED BY:	SHEET:
FUNCTION:	14"R/C PLANE		Liu Ji Hong		1 of 1
DWG NO:	DZ02-00C647-01		05-09-2003		