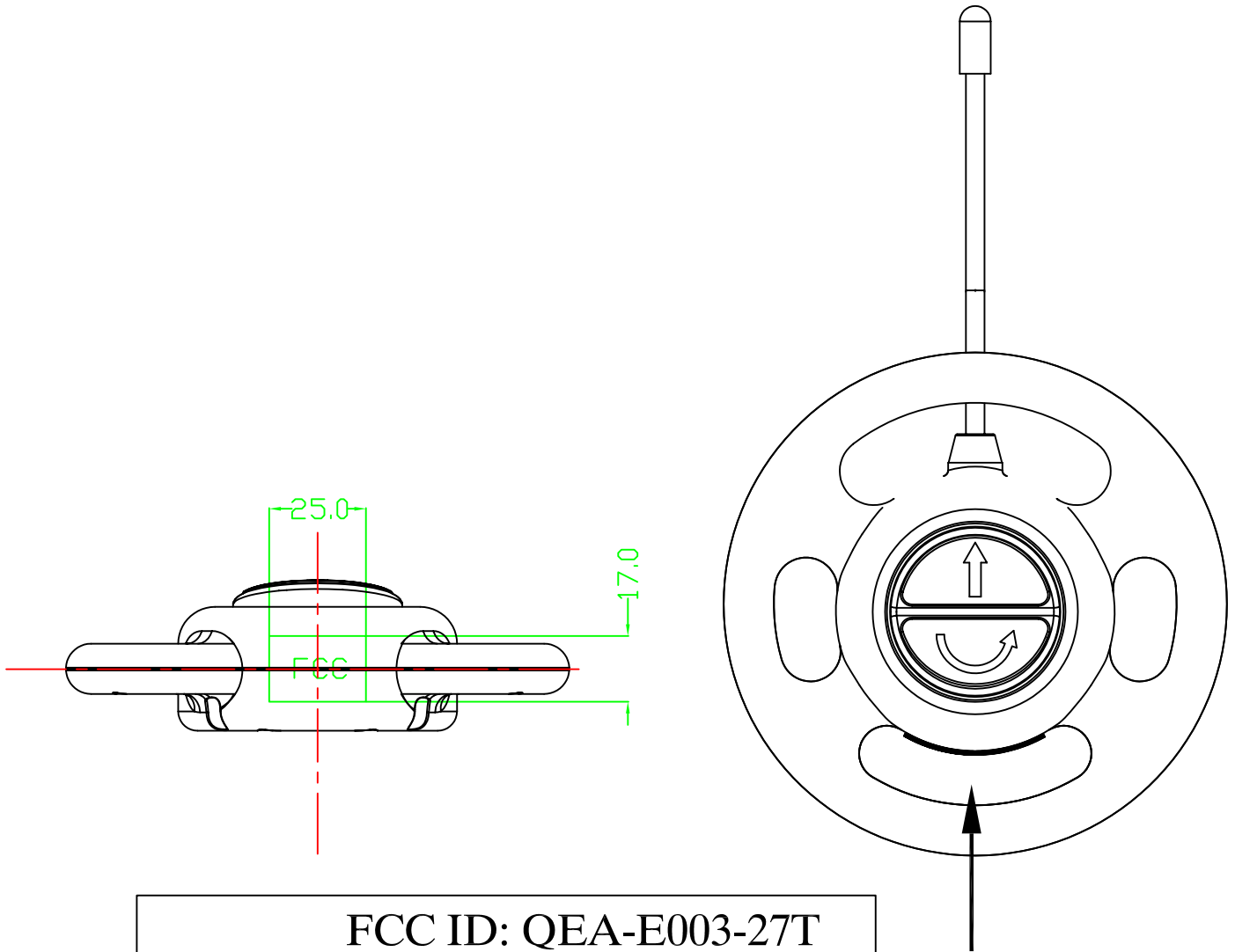


## FCC Label Location



**FCC ID: QEA-E003-27T**

**Made in China**

This device complies with part 15 of the FCC Rules. Operation is subject to the following two condition: (1) This device may not cause harmful interference, and (2) This device must accept any interference received, including interference that may cause undesired operation.

Size : 25MM X 17MM