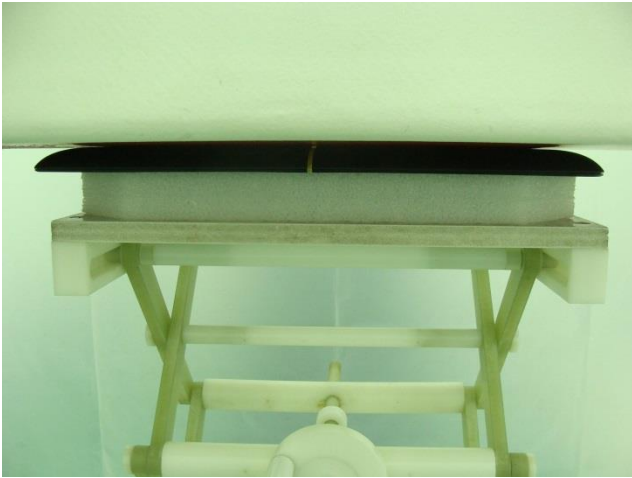


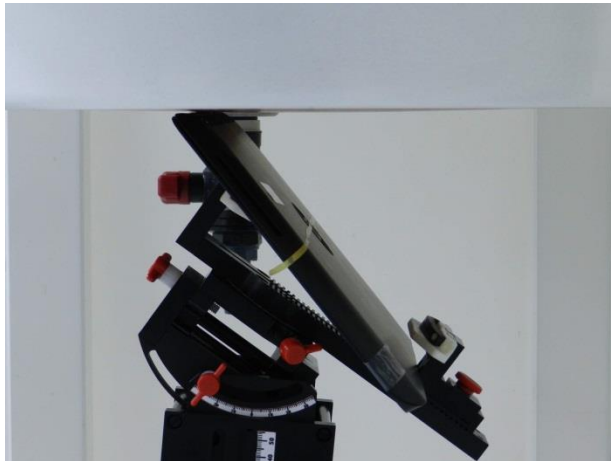
Appendix D. SAR Test Setup Photos



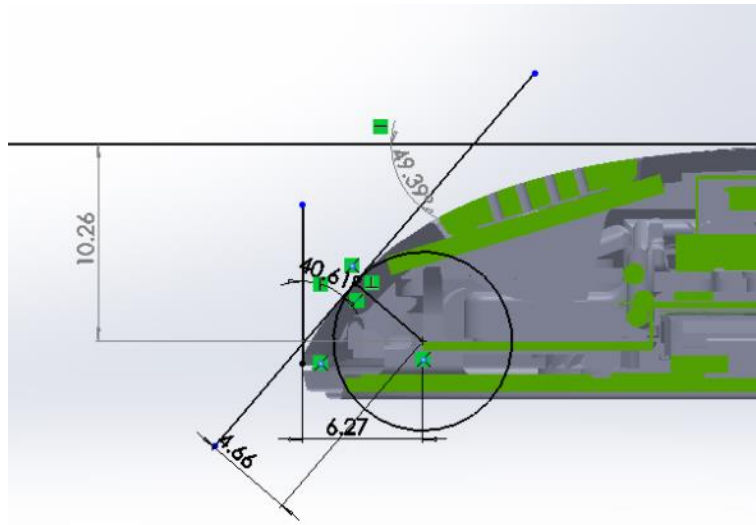
Bottom Face, Test Separation 0 cm



Edge1, Test Separation 0 cm



Curved surface of Edge1, Test Separation 0 cm



The minimum distance 4.66mm between antenna and device edge along the curve.