

Wi-Fi 2.4GHz Band

Frequency: 2437 MHz; Duty Cycle: 1:1; Room Ambient Temperature: 24.0°C; Liquid Temperature: 23.5°C

Medium parameters used (interpolated): $f = 2437$ MHz; $\sigma = 1.894$ S/m; $\epsilon_r = 51.874$; $\rho = 1000$ kg/m³

DASY5 Configuration:

- Area Scan Setting - Find Secondary Maximum Within: 2.0 dB and with a peak SAR value greater than 0.0012W/kg
- Electronics: DAE4 Sn877; Calibrated: 2014/03/26
- Probe: EX3DV4 - SN3665; ConvF(7.22, 7.22, 7.22); Calibrated: 2014/05/22;
- Sensor-Surface: 1.4mm (Mechanical Surface Detection)
- Phantom: ELI 4.0; Type: QDOVA001BA; Serial: 1056

Rear/Main Ant/802.11b/Ch6/Area Scan (7x8x1): Measurement grid: dx=12mm, dy=12mm

[Info: Interpolated medium parameters used for SAR evaluation.](#)

Maximum value of SAR (measured) = 0.0671 W/kg

Rear/Main Ant/802.11b/Ch6/Zoom Scan (7x7x7)/Cube 0: Measurement grid: dx=5mm, dy=5mm, dz=5mm

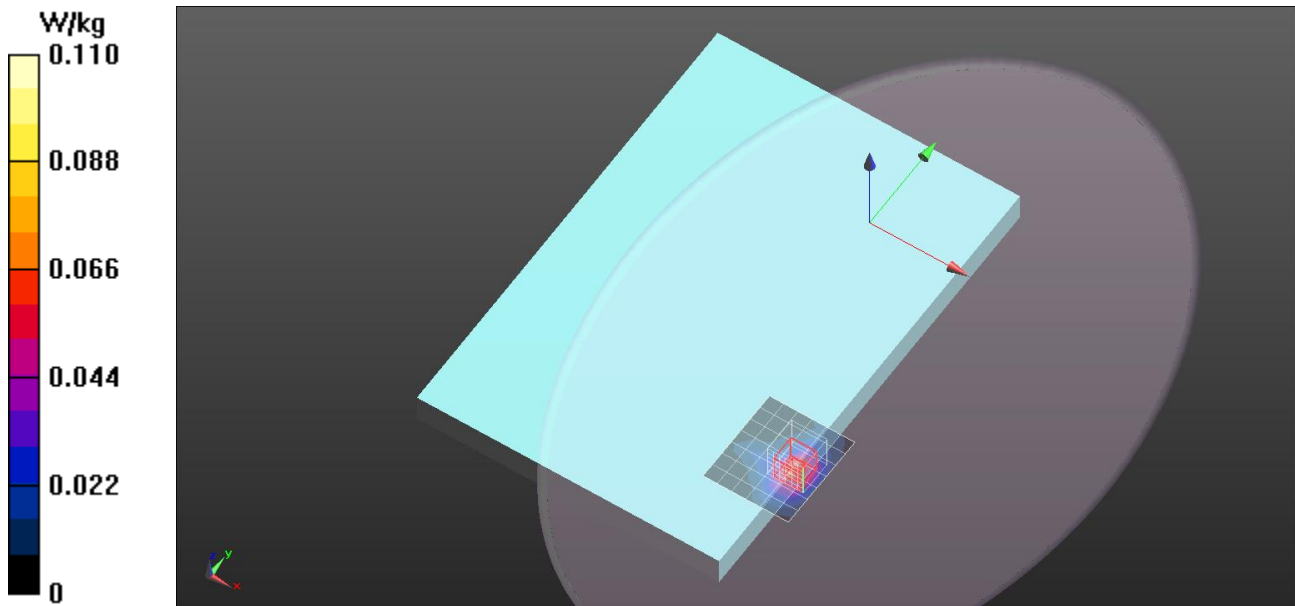
Reference Value = 0.9160 V/m; Power Drift = 0.14 dB

Peak SAR (extrapolated) = 0.101 W/kg

SAR(1 g) = 0.047 W/kg; SAR(10 g) = 0.024 W/kg

[Info: Interpolated medium parameters used for SAR evaluation.](#)

Maximum value of SAR (measured) = 0.0785 W/kg



Wi-Fi 2.4GHz Band

Frequency: 2437 MHz; Duty Cycle: 1:1; Room Ambient Temperature: 24.0°C; Liquid Temperature: 23.5°C

Medium parameters used (interpolated): $f = 2437$ MHz; $\sigma = 1.894$ S/m; $\epsilon_r = 51.874$; $\rho = 1000$ kg/m³

DASY5 Configuration:

- Area Scan Setting - Find Secondary Maximum Within: 2.0 dB and with a peak SAR value greater than 0.0012W/kg
- Electronics: DAE4 Sn877; Calibrated: 2014/03/26
- Probe: EX3DV4 - SN3665; ConvF(7.22, 7.22, 7.22); Calibrated: 2014/05/22;
- Sensor-Surface: 1.4mm (Mechanical Surface Detection)
- Phantom: ELI 4.0; Type: QDOVA001BA; Serial: 1056

Rear/Aux Ant/802.11b/Ch6/Area Scan (7x8x1): Measurement grid: dx=12mm, dy=12mm

[Info: Interpolated medium parameters used for SAR evaluation.](#)

Maximum value of SAR (measured) = 0.0347 W/kg

Rear/Aux Ant/802.11b/Ch6/Zoom Scan (7x7x7)/Cube 0: Measurement grid: dx=5mm, dy=5mm, dz=5mm

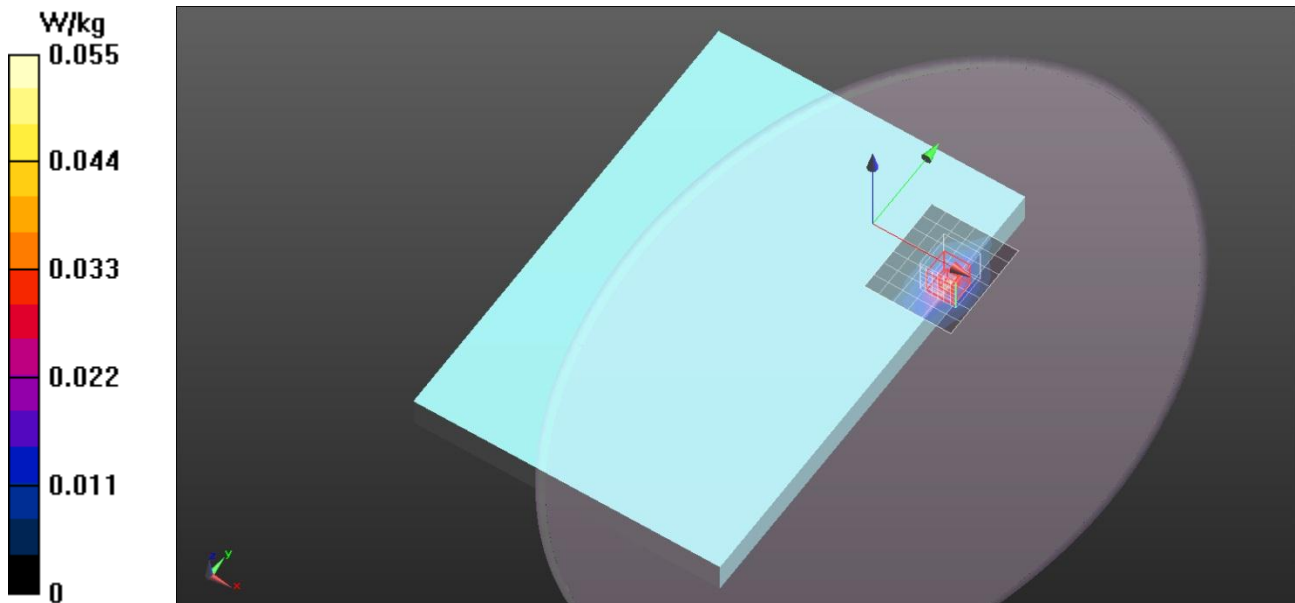
Reference Value = 0.4360 V/m; Power Drift = 0.16 dB

Peak SAR (extrapolated) = 0.0460 W/kg

SAR(1 g) = 0.021 W/kg; SAR(10 g) = 0.00966 W/kg

[Info: Interpolated medium parameters used for SAR evaluation.](#)

Maximum value of SAR (measured) = 0.0359 W/kg



Wi-Fi 2.4GHz Band

Frequency: 2437 MHz; Duty Cycle: 1:1; Room Ambient Temperature: 24.0°C; Liquid Temperature: 23.5°C

Medium parameters used (interpolated): $f = 2437$ MHz; $\sigma = 1.894$ S/m; $\epsilon_r = 51.874$; $\rho = 1000$ kg/m³

DASY5 Configuration:

- Area Scan Setting - Find Secondary Maximum Within: 2.0 dB and with a peak SAR value greater than 0.0012W/kg
- Electronics: DAE4 Sn877; Calibrated: 2014/03/26
- Probe: EX3DV4 - SN3665; ConvF(7.22, 7.22, 7.22); Calibrated: 2014/05/22;
- Sensor-Surface: 1.4mm (Mechanical Surface Detection)
- Phantom: ELI 4.0; Type: QDOVA001BA; Serial: 1056

Edge1/Main Ant/802.11b/Ch6/Area Scan (7x8x1): Measurement grid: dx=12mm, dy=12mm

[Info: Interpolated medium parameters used for SAR evaluation.](#)

Maximum value of SAR (measured) = 0.397 W/kg

Edge1/Main Ant/802.11b/Ch6/Zoom Scan (7x7x7)/Cube 0: Measurement grid: dx=5mm, dy=5mm, dz=5mm

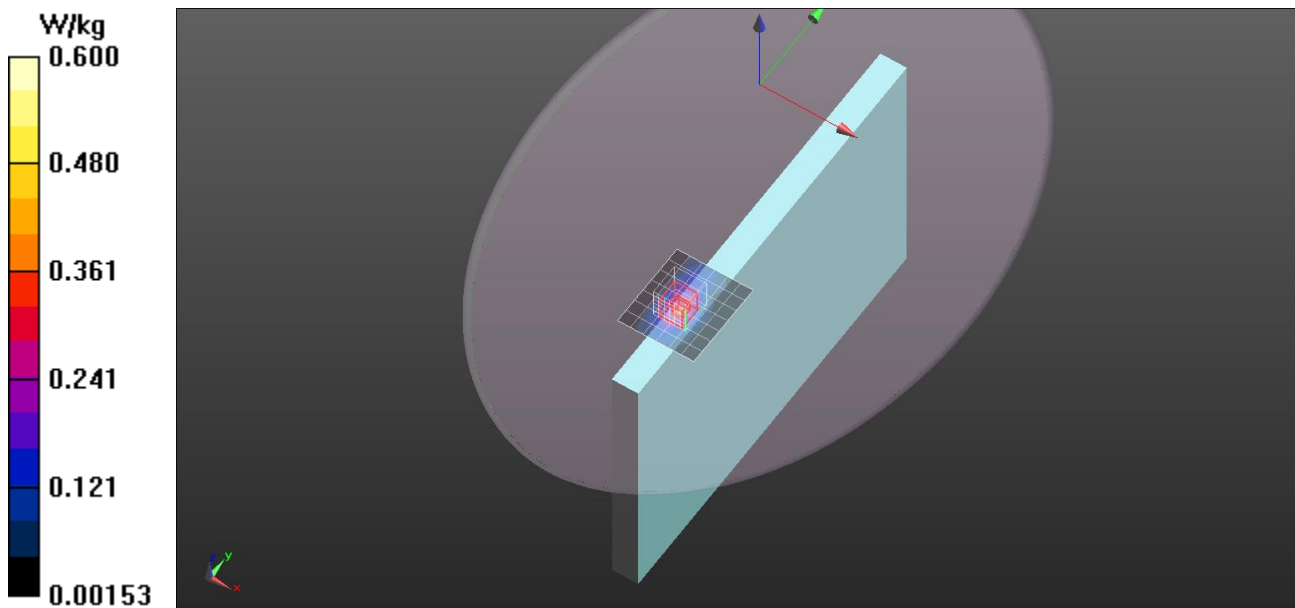
Reference Value = 1.674 V/m; Power Drift = 0.13 dB

Peak SAR (extrapolated) = 0.504 W/kg

SAR(1 g) = 0.242 W/kg; SAR(10 g) = 0.120 W/kg

[Info: Interpolated medium parameters used for SAR evaluation.](#)

Maximum value of SAR (measured) = 0.396 W/kg



Wi-Fi 2.4GHz Band

Frequency: 2437 MHz; Duty Cycle: 1:1; Room Ambient Temperature: 24.0°C; Liquid Temperature: 23.5°C

Medium parameters used (interpolated): $f = 2437$ MHz; $\sigma = 1.894$ S/m; $\epsilon_r = 51.874$; $\rho = 1000$ kg/m³

DASY5 Configuration:

- Area Scan Setting - Find Secondary Maximum Within: 2.0 dB and with a peak SAR value greater than 0.0012W/kg
- Electronics: DAE4 Sn877; Calibrated: 2014/03/26
- Probe: EX3DV4 - SN3665; ConvF(7.22, 7.22, 7.22); Calibrated: 2014/05/22;
- Sensor-Surface: 1.4mm (Mechanical Surface Detection)
- Phantom: ELI 4.0; Type: QDOVA001BA; Serial: 1056

Edge1/Aux Ant/802.11b/Ch6/Area Scan (7x8x1): Measurement grid: dx=12mm, dy=12mm

[Info: Interpolated medium parameters used for SAR evaluation.](#)

Maximum value of SAR (measured) = 0.150 W/kg

Edge1/Aux Ant/802.11b/Ch6/Zoom Scan (7x7x7)/Cube 0: Measurement grid: dx=5mm, dy=5mm, dz=5mm

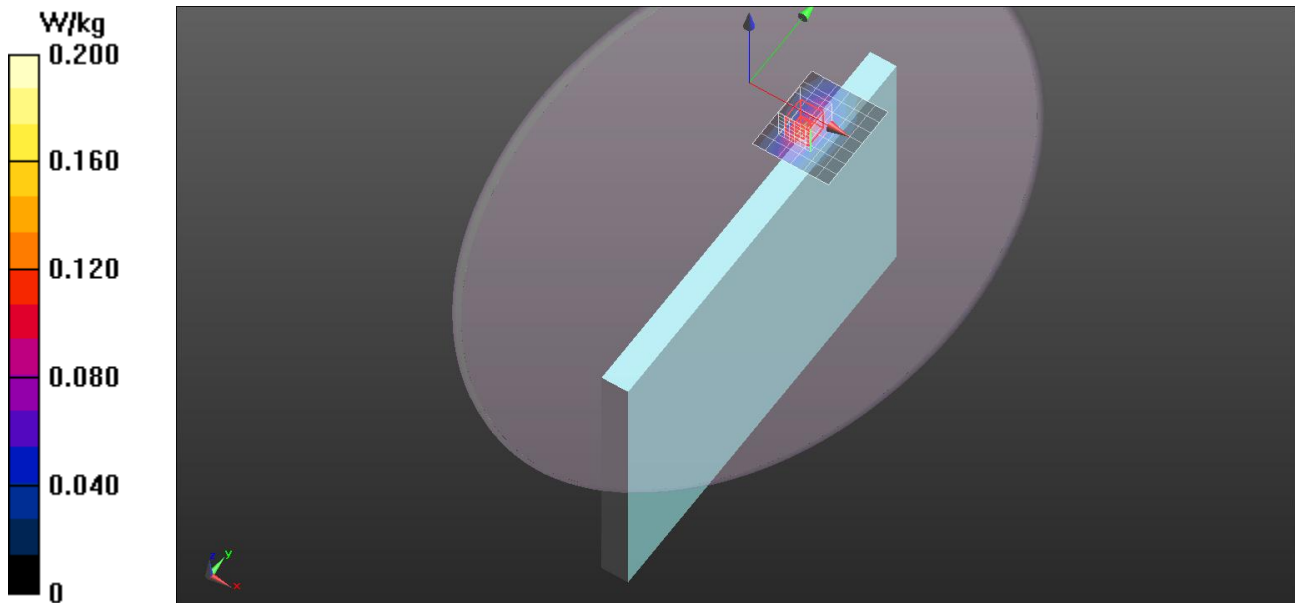
Reference Value = 3.119 V/m; Power Drift = 0.16 dB

Peak SAR (extrapolated) = 0.214 W/kg

SAR(1 g) = 0.097 W/kg; SAR(10 g) = 0.045 W/kg

[Info: Interpolated medium parameters used for SAR evaluation.](#)

Maximum value of SAR (measured) = 0.163 W/kg



Wi-Fi 2.4GHz Band

Frequency: 2437 MHz; Duty Cycle: 1:1; Room Ambient Temperature: 24.0°C; Liquid Temperature: 23.5°C

Medium parameters used (interpolated): $f = 2437$ MHz; $\sigma = 1.894$ S/m; $\epsilon_r = 51.874$; $\rho = 1000$ kg/m³

DASY5 Configuration:

- Area Scan Setting - Find Secondary Maximum Within: 2.0 dB and with a peak SAR value greater than 0.0012W/kg
- Electronics: DAE4 Sn877; Calibrated: 2014/03/26
- Probe: EX3DV4 - SN3665; ConvF(7.22, 7.22, 7.22); Calibrated: 2014/05/22;
- Sensor-Surface: 1.4mm (Mechanical Surface Detection)
- Phantom: ELI 4.0; Type: QDOVA001BA; Serial: 1056

Edge1/Main Ant/802.11b/Ch6_Spot/Area Scan (7x8x1): Measurement grid: dx=12mm, dy=12mm

[Info: Interpolated medium parameters used for SAR evaluation.](#)

Maximum value of SAR (measured) = 0.267 W/kg

Edge1/Main Ant/802.11b/Ch6_Spot/Zoom Scan (7x7x7)/Cube 0: Measurement grid: dx=5mm, dy=5mm, dz=5mm

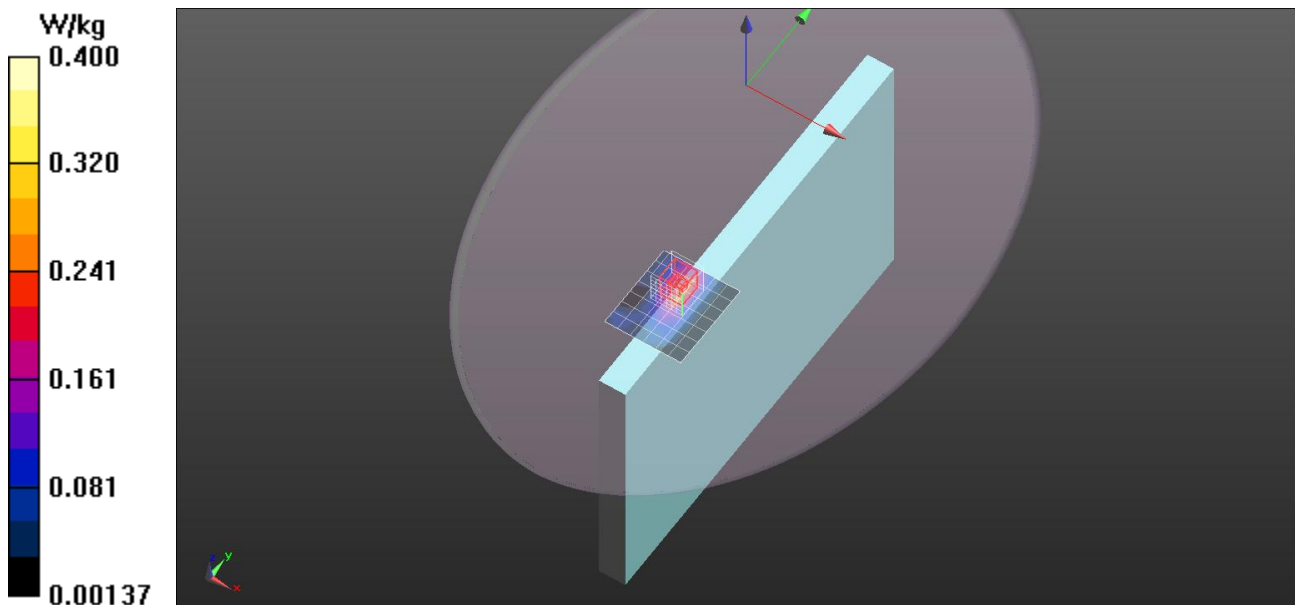
Reference Value = 5.232 V/m; Power Drift = -0.12 dB

Peak SAR (extrapolated) = 0.391 W/kg

SAR(1 g) = 0.177 W/kg; SAR(10 g) = 0.094 W/kg

[Info: Interpolated medium parameters used for SAR evaluation.](#)

Maximum value of SAR (measured) = 0.274 W/kg



Wi-Fi 2.4GHz Band

Frequency: 2437 MHz; Duty Cycle: 1:1; Room Ambient Temperature: 24.0°C; Liquid Temperature: 23.5°C

Medium parameters used (interpolated): $f = 2437$ MHz; $\sigma = 1.894$ S/m; $\epsilon_r = 51.874$; $\rho = 1000$ kg/m³

DASY5 Configuration:

- Area Scan Setting - Find Secondary Maximum Within: 2.0 dB and with a peak SAR value greater than 0.0012W/kg
- Electronics: DAE4 Sn877; Calibrated: 2014/03/26
- Probe: EX3DV4 - SN3665; ConvF(7.22, 7.22, 7.22); Calibrated: 2014/05/22;
- Sensor-Surface: 1.4mm (Mechanical Surface Detection)
- Phantom: ELI 4.0; Type: QDOVA001BA; Serial: 1056

Edge1/Aux Ant/802.11b/Ch6_Spot/Area Scan (7x8x1): Measurement grid: dx=12mm, dy=12mm

[Info: Interpolated medium parameters used for SAR evaluation.](#)

Maximum value of SAR (measured) = 0.199 W/kg

Edge1/Aux Ant/802.11b/Ch6_Spot/Zoom Scan (7x7x7)/Cube 0: Measurement grid: dx=5mm, dy=5mm, dz=5mm

Reference Value = 1.570 V/m; Power Drift = 0.07 dB

Peak SAR (extrapolated) = 0.275 W/kg

SAR(1 g) = 0.124 W/kg; SAR(10 g) = 0.057 W/kg

[Info: Interpolated medium parameters used for SAR evaluation.](#)

Maximum value of SAR (measured) = 0.206 W/kg

