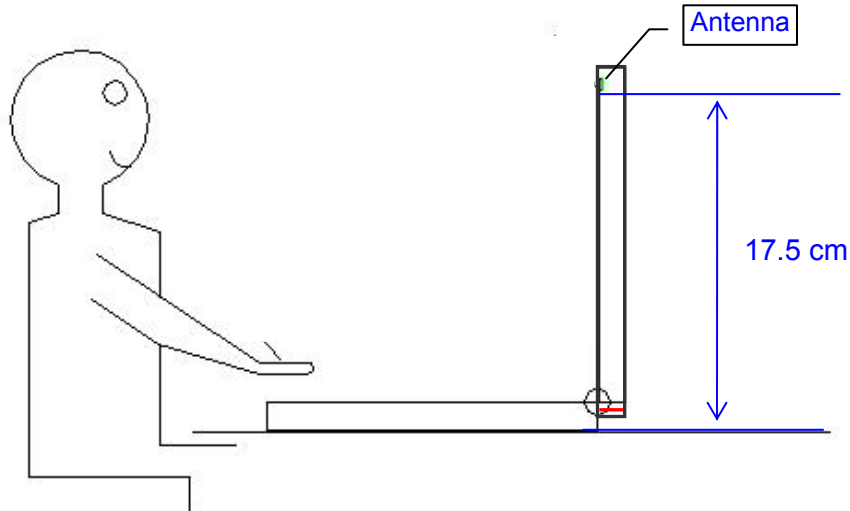


## 15. ANTENNA LOCATIONS AND SEPARATION DISTANCES

### ANTENNA-TO-USERS AND NEARBY PERSONS

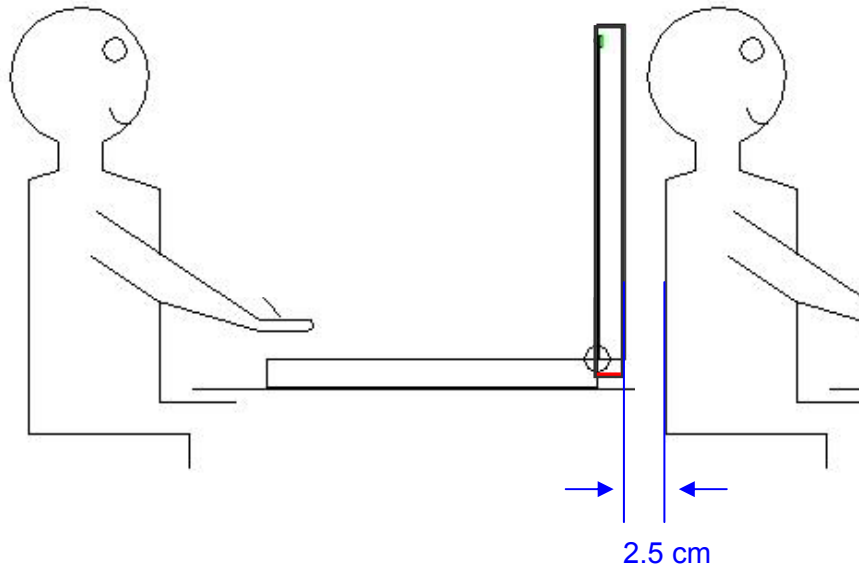
#### Lap-held configuration

(Separation distance between antenna and user)



#### Nearby person configuration

(Separation distance between antenna and nearby person)



**ANTENNA-TO-ANTENNA**



Unit: mm

## 16. TEST SETUP PHOTOS

Lap-held w/ 0.0 cm from the bottom of the laptop base-to-phantom



Nearby Person w/ 2.5 cm from back of the screen-to-phantom



**END OF REPORT**