



R 003WWA101011
003GZA101012
T D091186003

2.4FH1

2.4DS/OF4



FCC ID : QDS-BRCM1050I

IC: 4324A-BRCM1050

TRA registered number:
0017762/09
Dealer No: 0030000/10

MOC: 51-21927

ANATEL 2429-09-1869



N12075

COFETEL N° RCPBRBC09-1196



CCAB10LP4160T6

CMIIT ID: 2009DJ4985



NTC

025

CNC: C-7881

Type Accepted
ESD-0904359C

BCM-BCM94313HMG2L

**PROPOSED FCC, IC, NCC LABEL
FOR HOST DEVICE**

CONTAINS BROADCOM BCM94313HMG2L

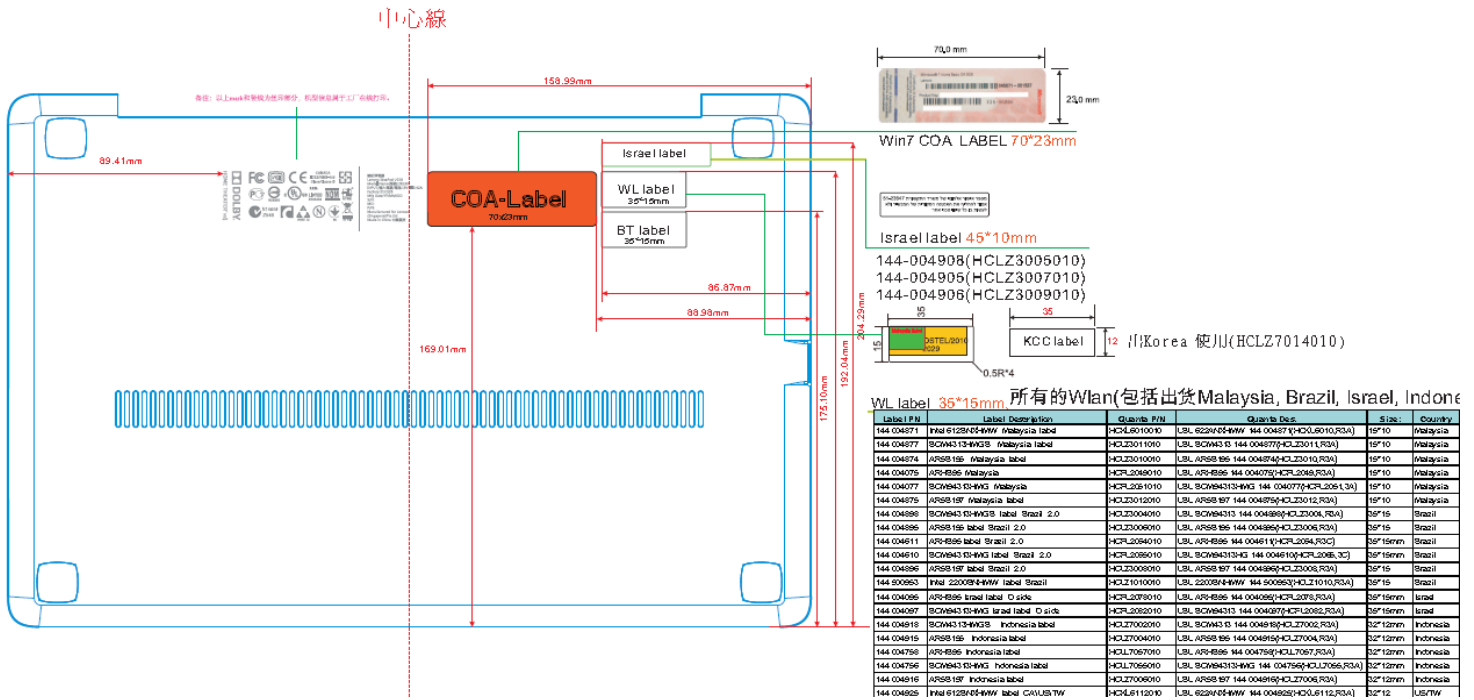
FCC ID: QDS-BRCM1050I

IC: 4324A-BRCM1050

內含射頻模組



CCXXxxLPyyyZz



Label ID	Label Description	Quantity (P/N)	Quantity (P/N)	Size	Country
144 004871	Intel 6129N05-HWW Malaysia label	HCLZ010010	USL 622N05-HWW 144 004871(HCLZ010010, R3A)	15*10	Malaysia
144 004874	BCM4313-HW2B Malaysia label	HCLZ011010	USL BCM4313 144 004874(HCLZ011010, R3A)	15*10	Malaysia
144 004874	AR9885 Malaysia label	HCLZ010010	USL AR9885 144 004874(HCLZ010010, R3A)	15*10	Malaysia
144 004875	AR9885 Malaysia	HCLZ008010	USL AR9885 144 004875(HCLZ008010, R3A)	15*10	Malaysia
144 004877	BCM4313-HW3 Malaysia	HCLZ021010	USL BCM4313-HW3 144 004877(HCLZ021010, R3A)	15*10	Malaysia
144 004879	AR9885 Malaysia label	HCLZ012010	USL AR9885 144 004879(HCLZ012010, R3A)	15*10	Malaysia
144 004896	BCM4313-HW3 label Brazil 2.0	HCLZ004010	USL BCM4313 144 004896(HCLZ004010, R3A)	35*15	Brazil
144 004896	AR9885 label Brazil 2.0	HCLZ009010	USL AR9885 144 004896(HCLZ009010, R3A)	35*15	Brazil
144 004816	AR9885 label Brazil 2.0	HCLZ004010	USL AR9885 144 004816(HCLZ004010, R3A)	35*15mm	Brazil
144 004810	BCM4313-HW3 label Brazil 2.0	HCLZ008010	USL BCM4313-HW3 144 004810(HCLZ008010, R3A)	35*15mm	Brazil
144 004896	AR9885 label Brazil 2.0	HCLZ009010	USL AR9885 144 004896(HCLZ009010, R3A)	35*15	Brazil
144 500963	Intel 2200B04-HWW label Brazil	HCLZ101000	USL 2200B04-HWW 144 500963(HCLZ101000, R3A)	35*15	Brazil
144 004896	AR9885 Brazil label C side	HCLZ007010	USL AR9885 144 004896(HCLZ007010, R3A)	35*15mm	Brazil
144 004897	BCM4313-HW3 Israel label C side	HCLZ002010	USL BCM4313 144 004897(HCLZ002010, R3A)	35*15mm	Israel
144 004815	BCM4313-HW2S Indonesia label	HCLZ002010	USL BCM4313 144 004815(HCLZ002010, R3A)	32*12mm	Indonesia
144 004815	AR9885 Indonesia label	HCLZ004010	USL AR9885 144 004815(HCLZ004010, R3A)	32*12mm	Indonesia
144 004758	AR9885 Indonesia label	HCLZ007010	USL AR9885 144 004758(HCLZ007010, R3A)	32*12mm	Indonesia
144 004758	BCM4313-HW3 Indonesia label	HCLZ006010	USL BCM4313-HW3 144 004758(HCLZ006010, R3A)	32*12mm	Indonesia
144 004816	AR9885 Indonesia label	HCLZ008010	USL AR9885 144 004816(HCLZ008010, R3A)	32*12mm	Indonesia
144 004825	Intel 6129N05-HWW label CA/US/TW	HCLZ011010	USL 622N05-HWW 144 004825(HCLZ011010, R3A)	32*12	US/TW