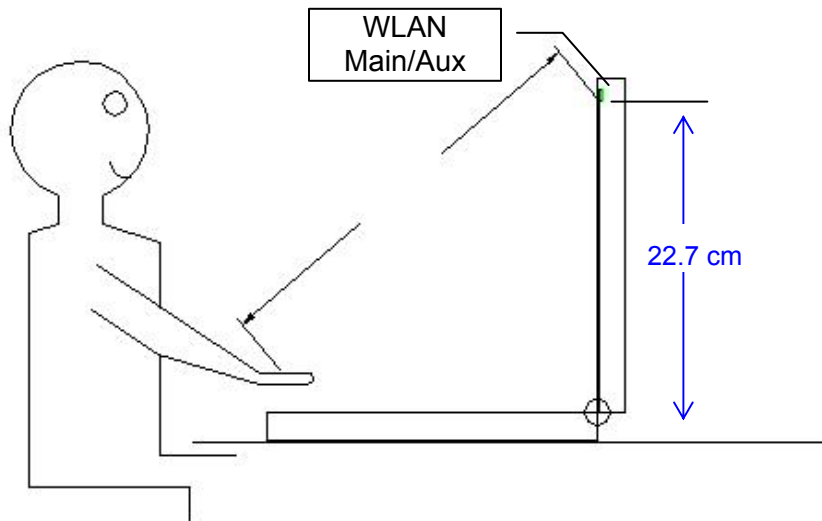
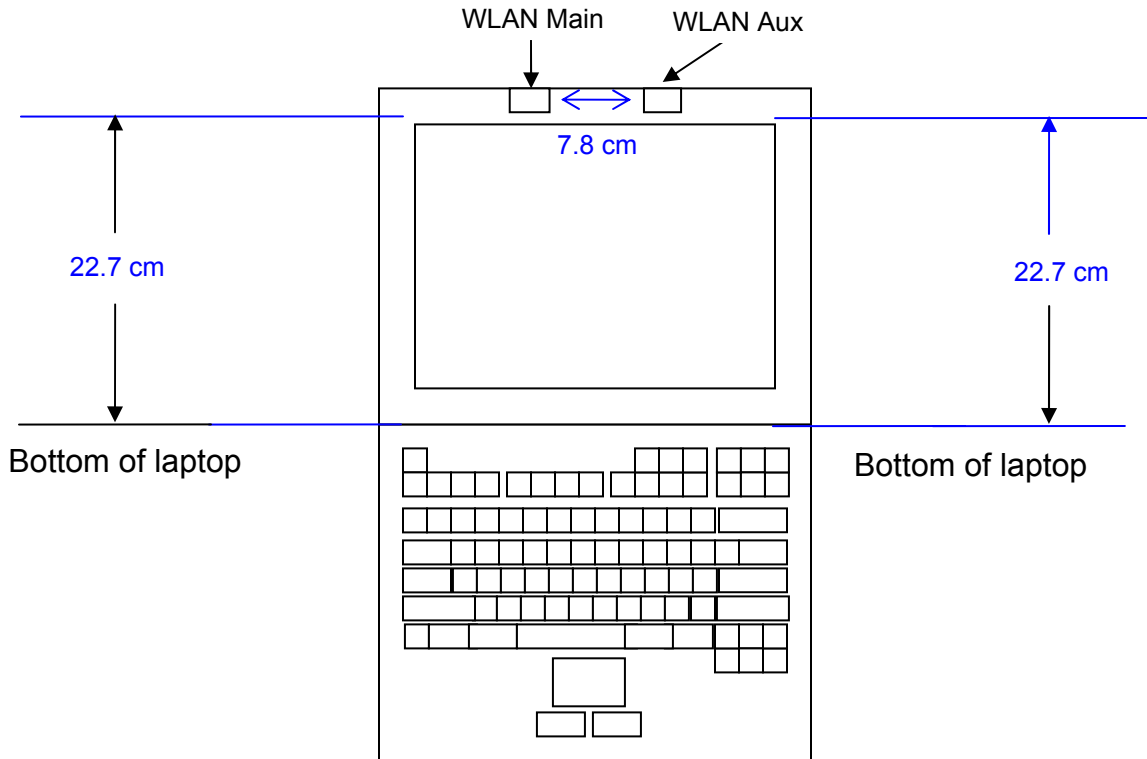


## 14. ATTACHMENTS

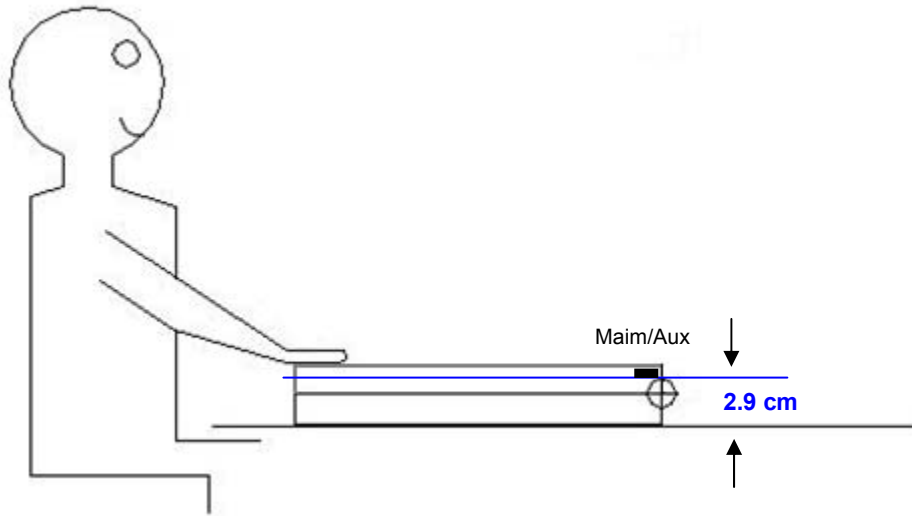
<u>No.</u>	<u>Contents</u>	<u>No. of page (s)</u>
1	Certificate of E-Field Probe - EX3DV3 SN 3531	11
2	Certificate of System Validation Dipole - D2450 SN:706	9

### 15. ANTENNA LOCATIONS AND SEPARATION DISTANCES

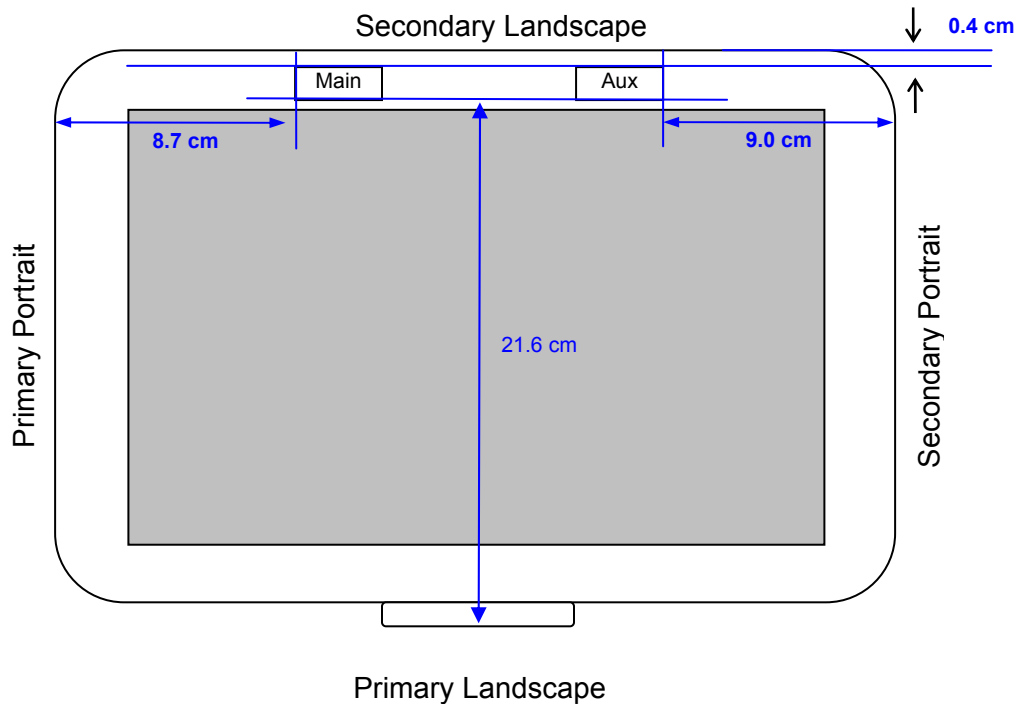
#### Laptop Mode



**Tablet – Bottom Face**



**Tablet – Edges (Landscape & Portrait)**



### 16. TEST SETUP PHOTOS

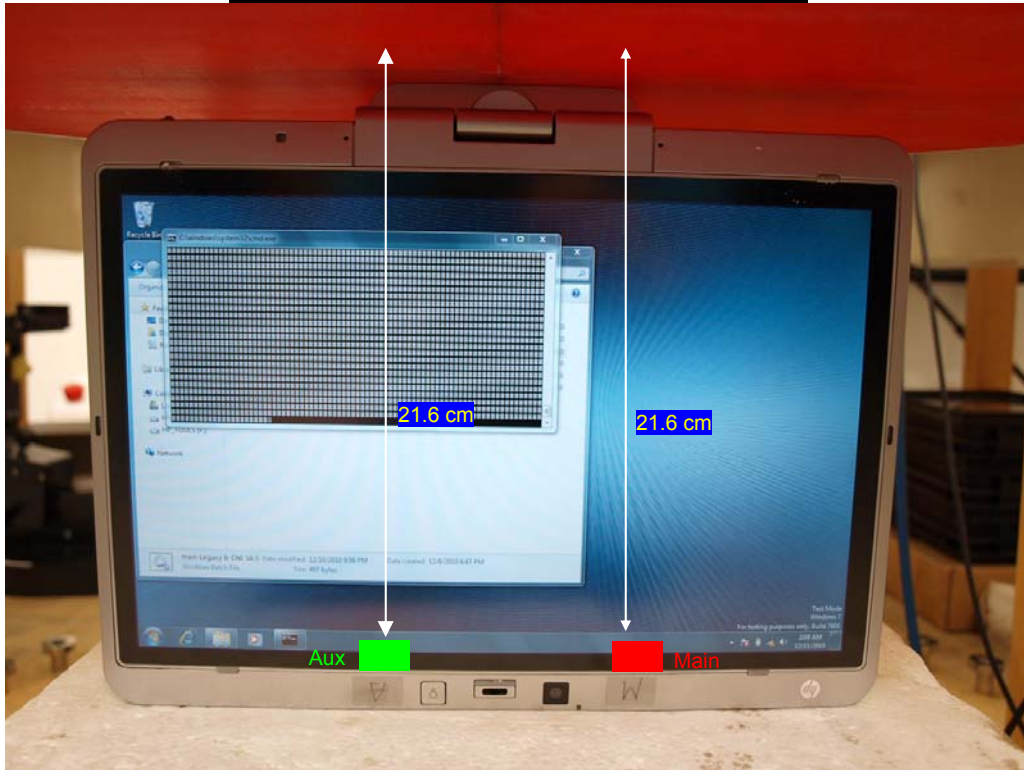
Laptop - Lap-held (No SAR)



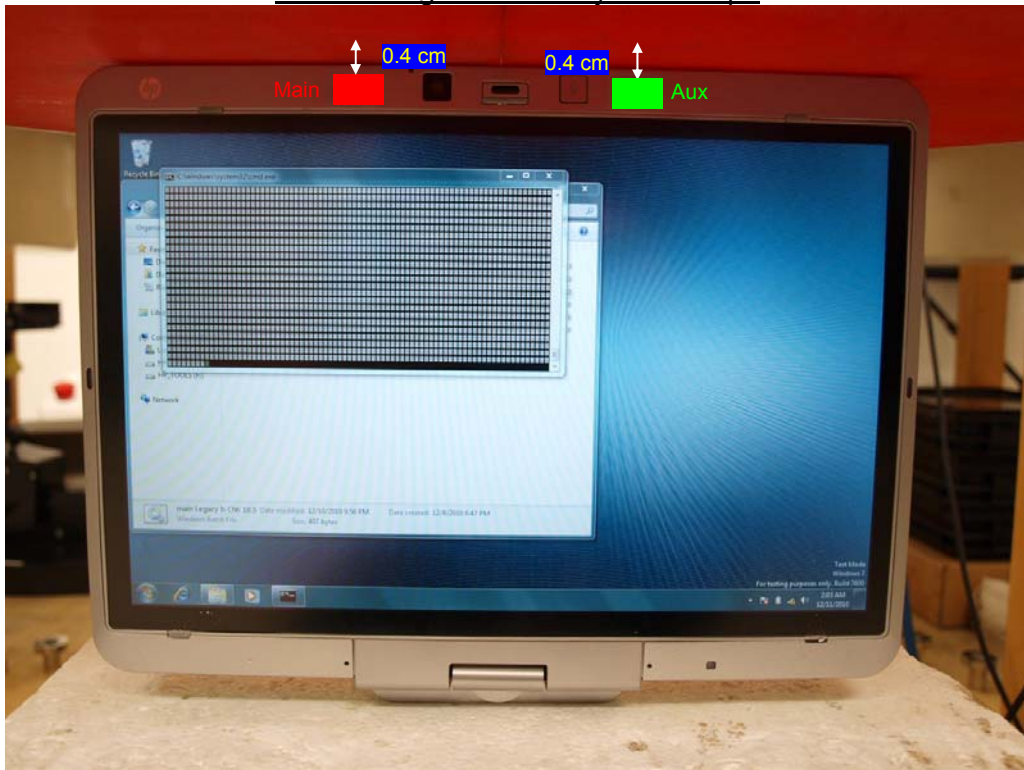
Tablet - Bottom face



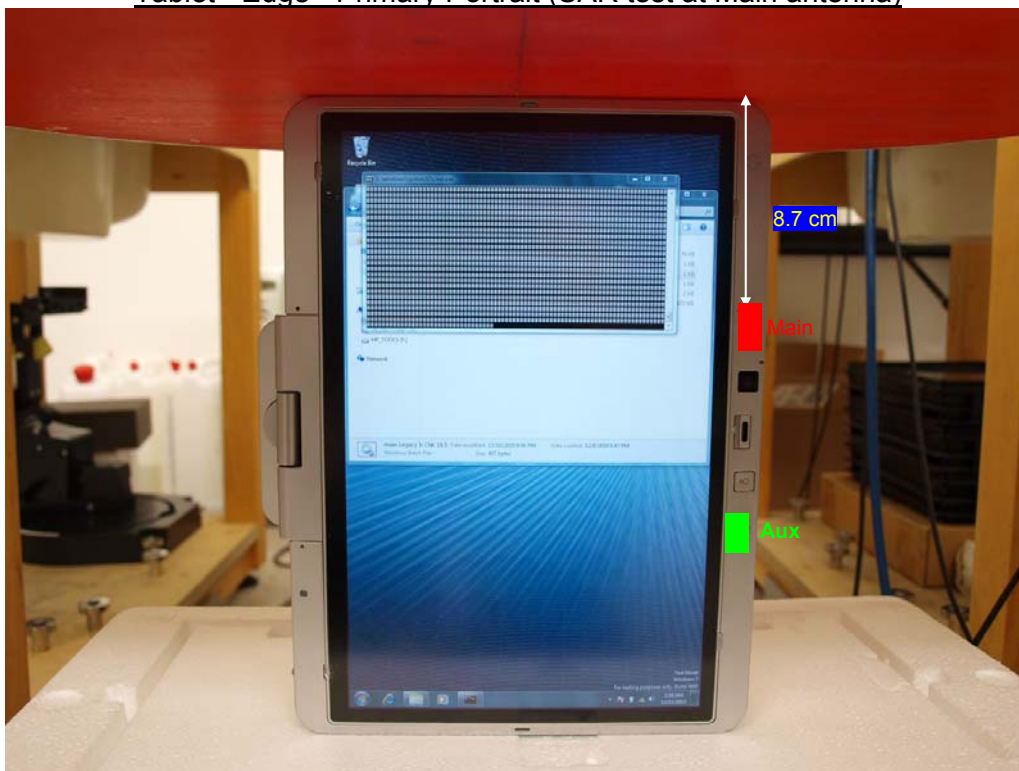
Tablet - Edge: Primary Landscape (No SAR)



Tablet - Edge: Secondary Landscape



Tablet - Edge - Primary Portrait (SAR test at Main antenna)



Tablet - Edge - Secondary Portrait (SAR test at Aux antenna)



## 17. HOST DEVICE PHOTOS

Laptop Mode



Tablet Mode - Front View



Tablet Mode - Bottom View



**END OF REPORT**