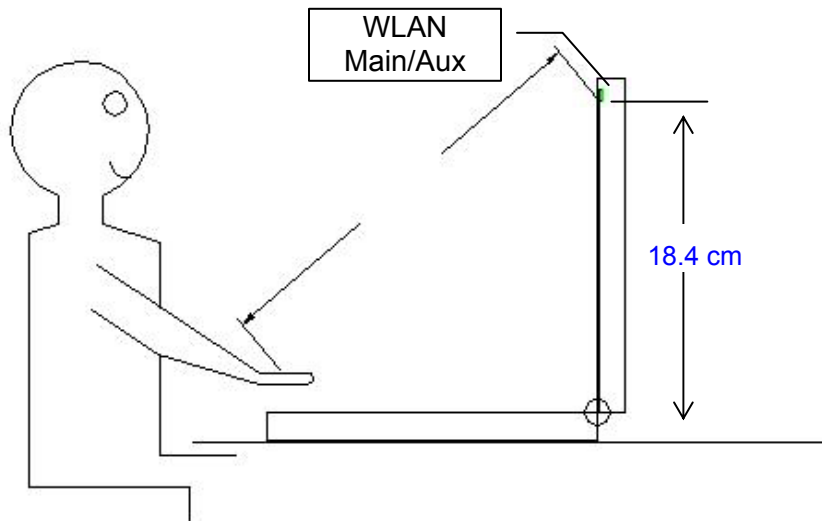
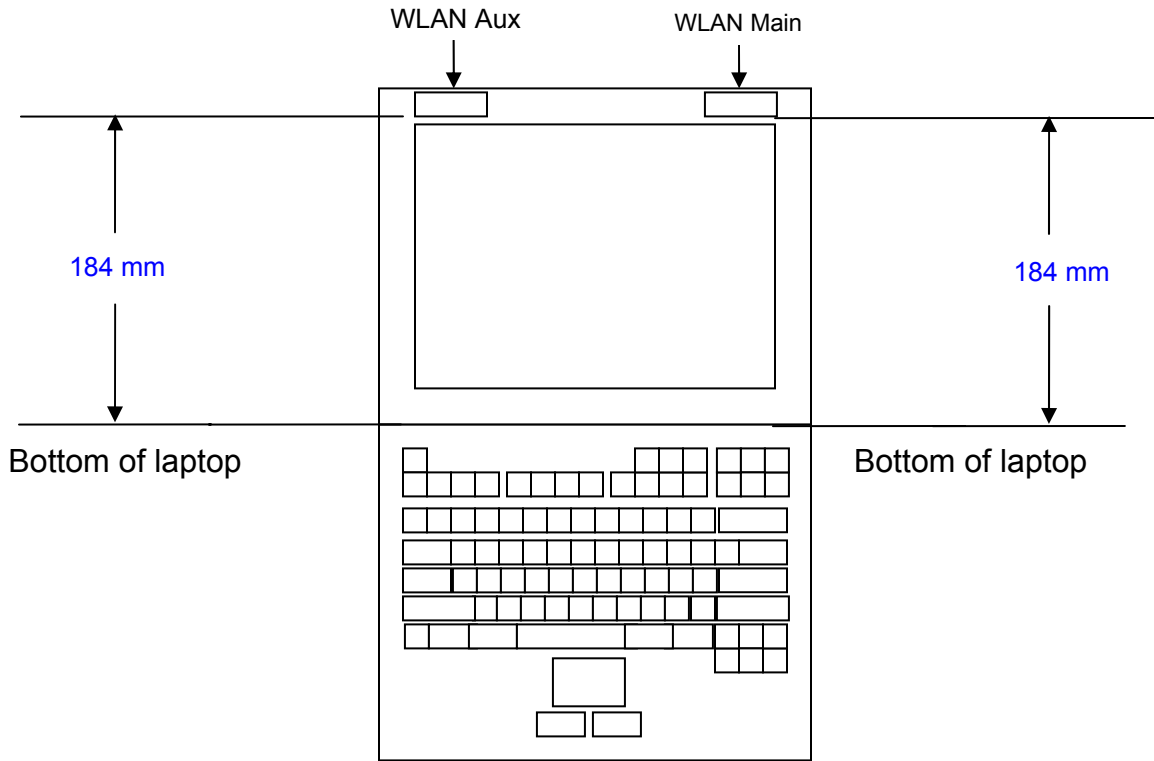
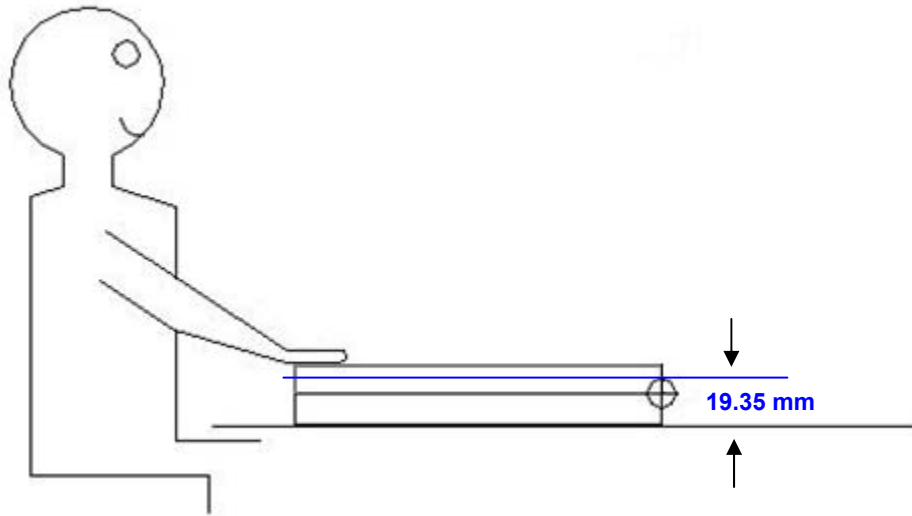


15. ANTENNA LOCATIONS AND SEPARATION DISTANCES

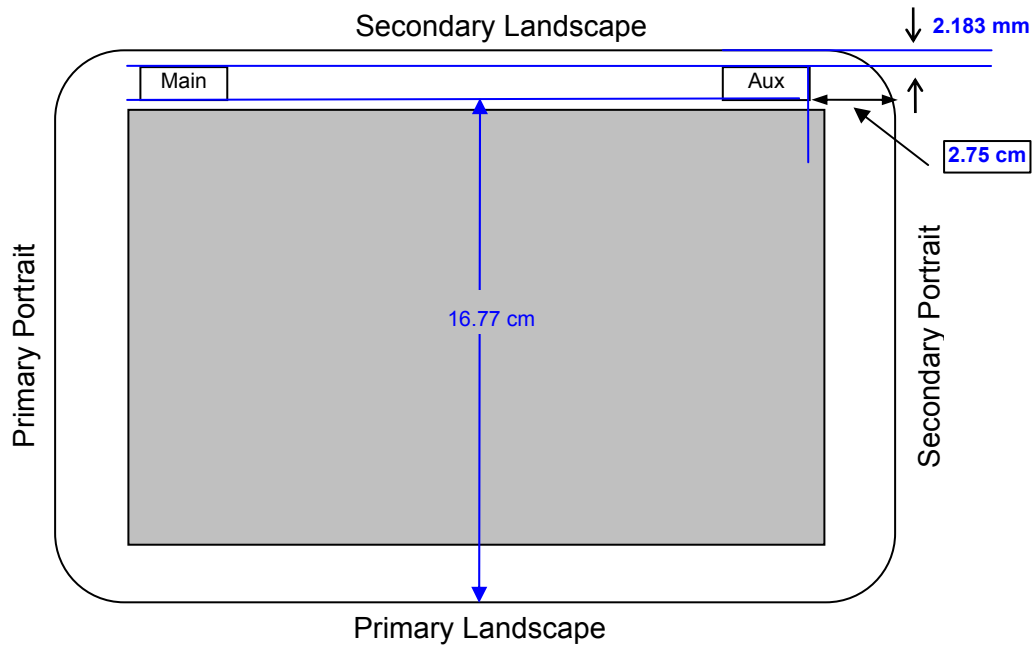
Laptop Mode



Tablet – Bottom Face

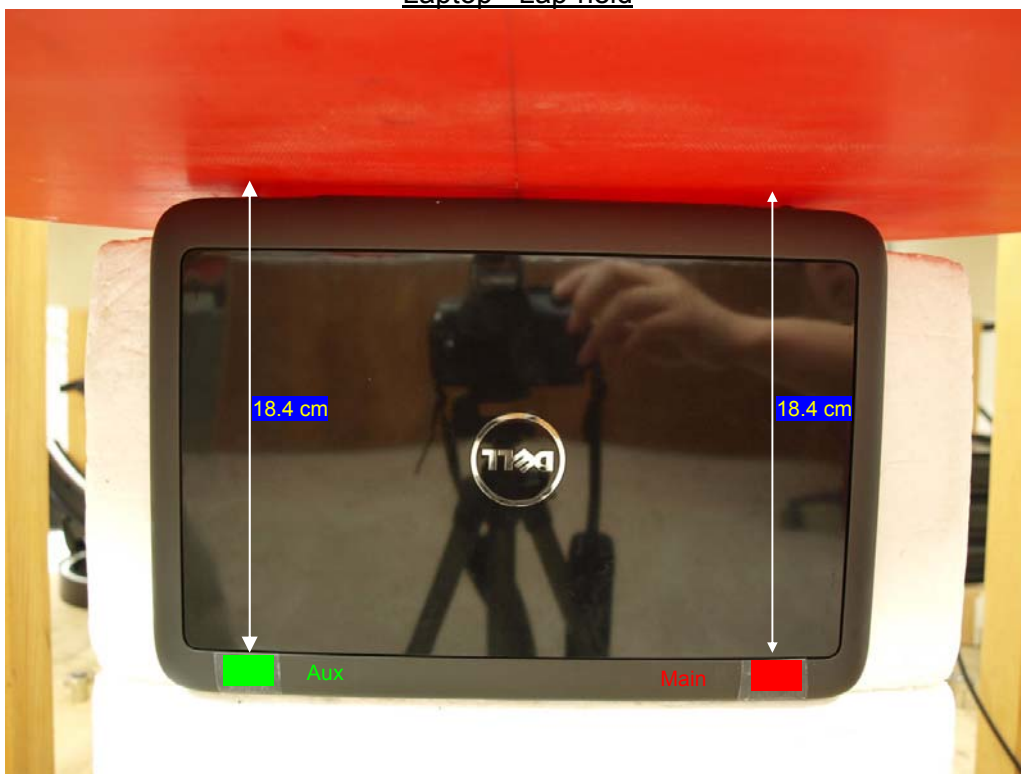


Tablet – Edges (Landscape & Portrait)

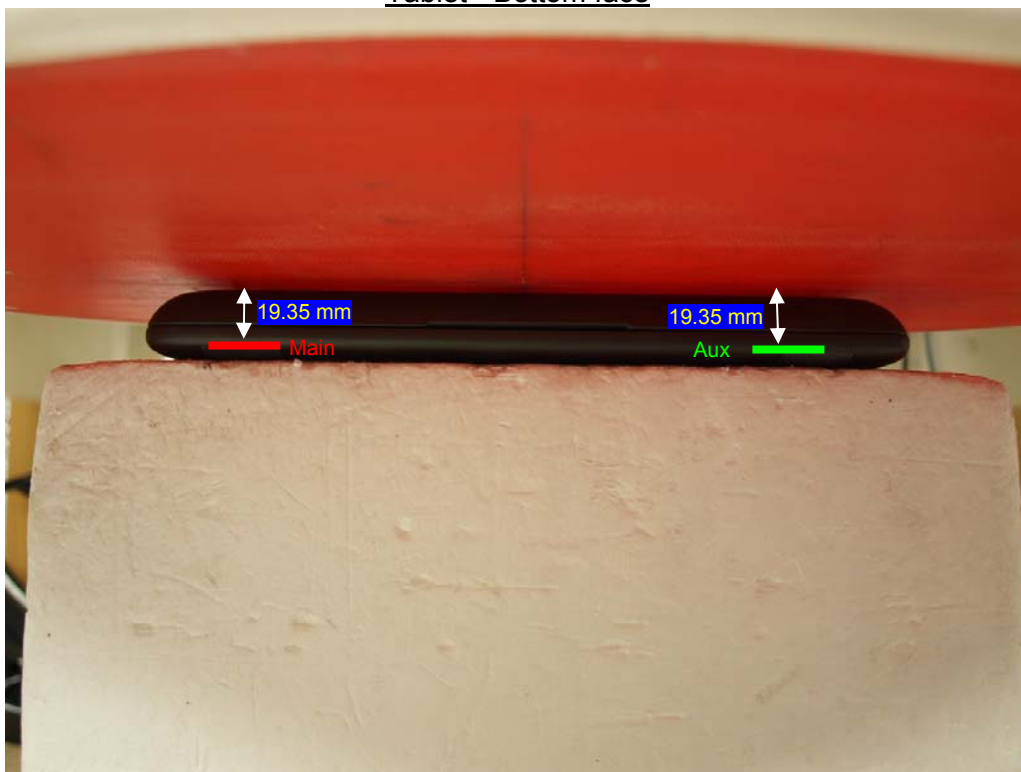


16. TEST SETUP PHOTOS

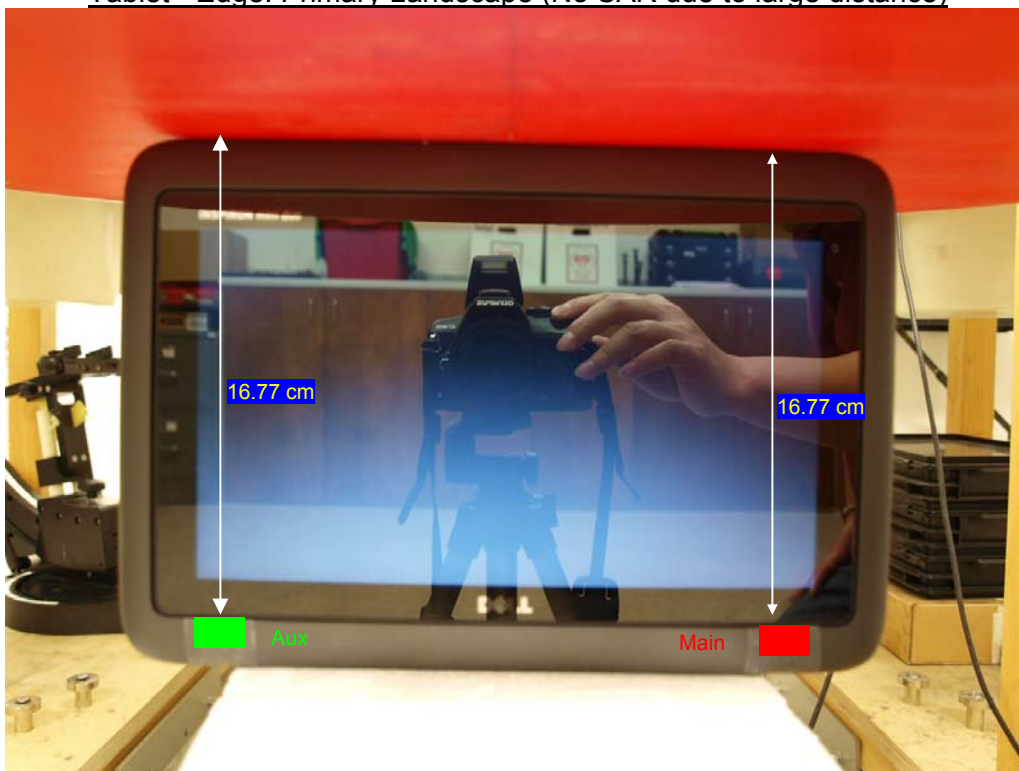
Laptop - Lap-held



Tablet - Bottom face



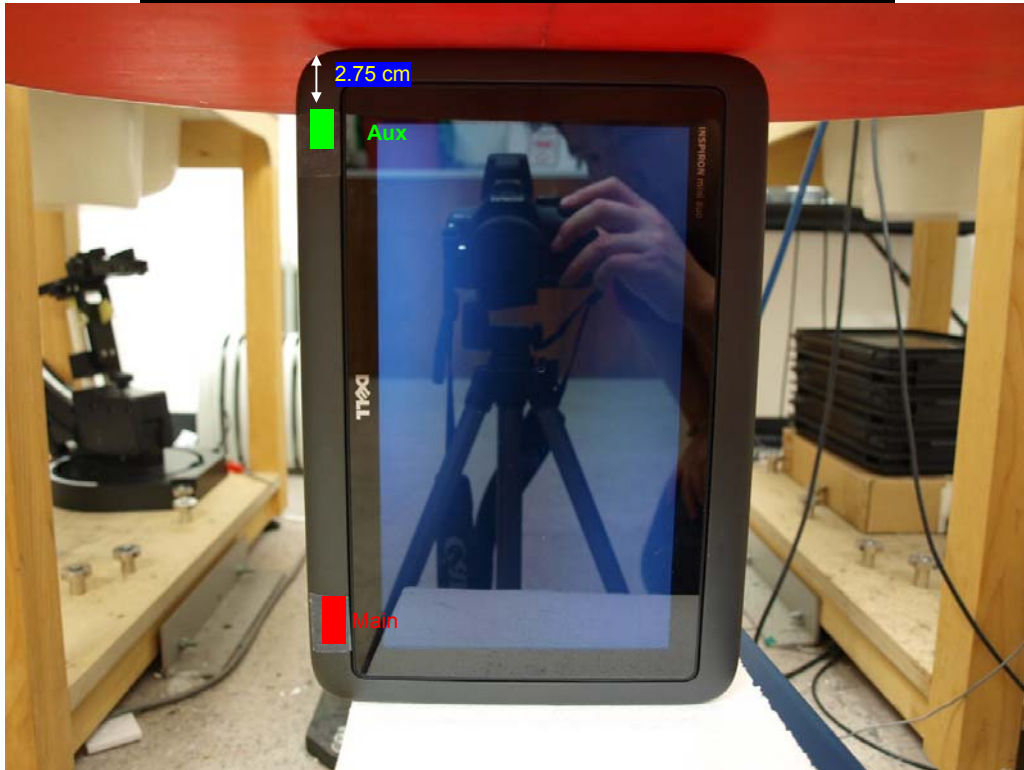
Tablet - Edge: Primary Landscape (No SAR due to large distance)



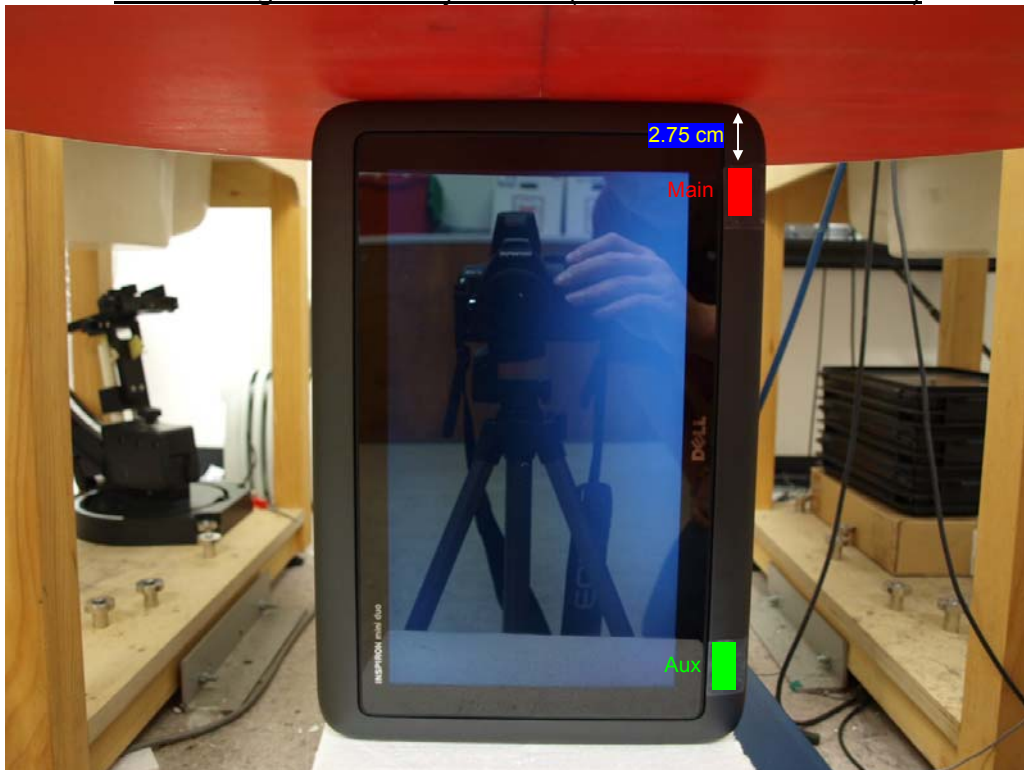
Tablet - Edge: Secondary Landscape



Tablet - Edge - Primary Portrait (SAR test at Aux antenna)



Tablet - Edge - Secondary Portrait (SAR test at Main antenna)



17. HOST DEVICE PHOTOS

Laptop Mode



Tablet Mode - Front View



Tablet Mode - Bottom View



END OF REPORT