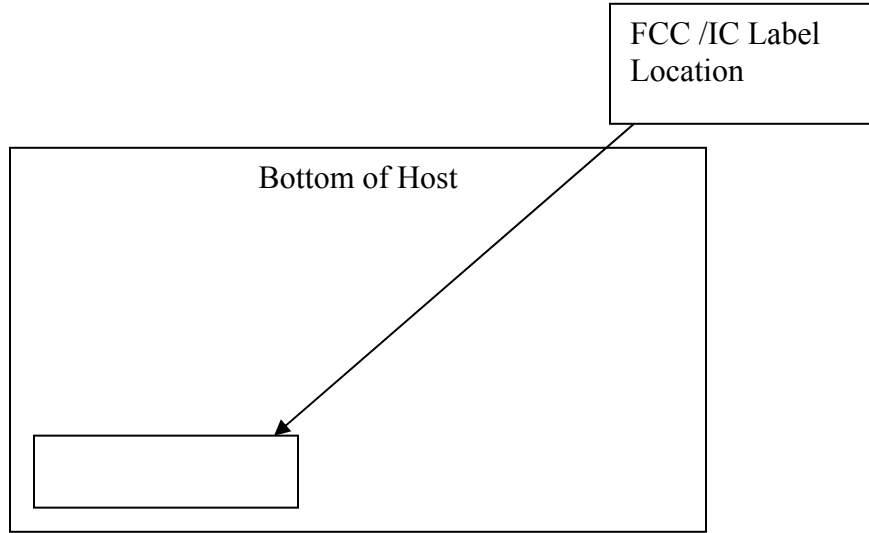


**HOST LOCATION**  
**Module FCC ID: QDS-BRCM1048**  
**Module IC: 4324A-BRCM1048**



# System Label Specification\_Ivory SET

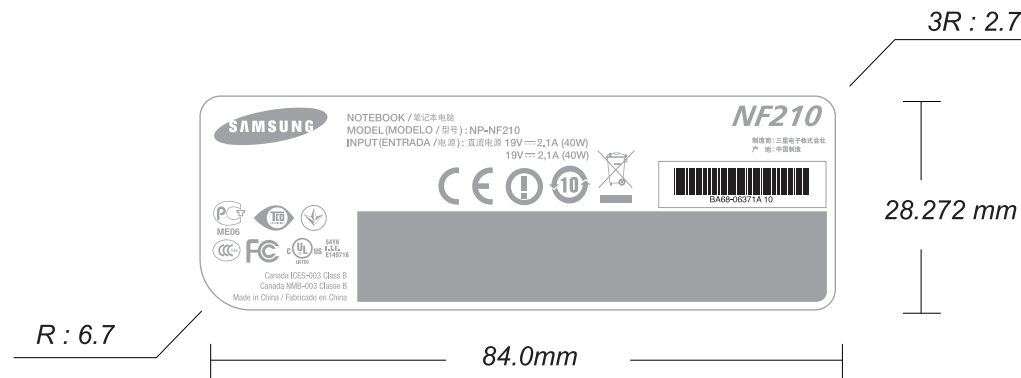
BA68-06371A 10

Raw Material | **PET + PC**

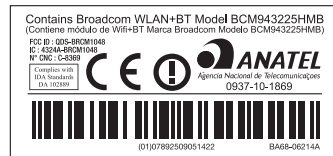
Thickness | **170 $\mu$ m**

Date | **2010.07.21**

Computer System Division Design Group

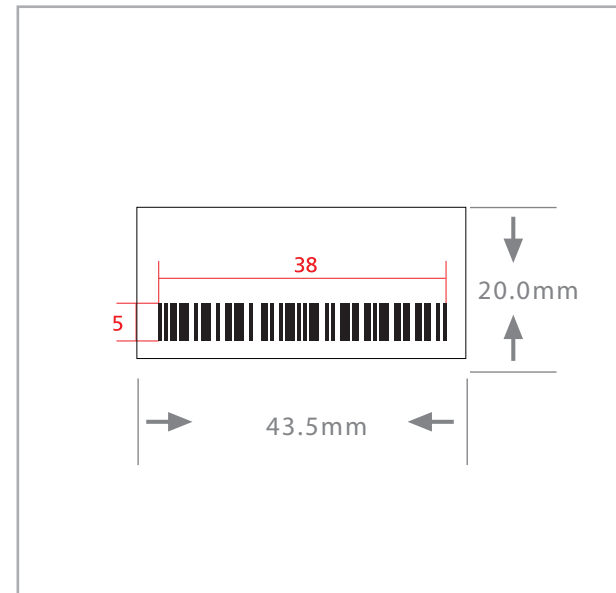


	Background : White
	logo, Icon, text, mark : 423C
	Barcode : Black



**BCM943225HMB**

Size : 43.5mm x 20.0mm



Material	PET
	Background, text : PMS 426C
	Background : White