

BCM92046MD_MINI dipole antenna

Antenna manufacturer: Amphenol

New antenna type description and model number
Dipole, model 631-0969

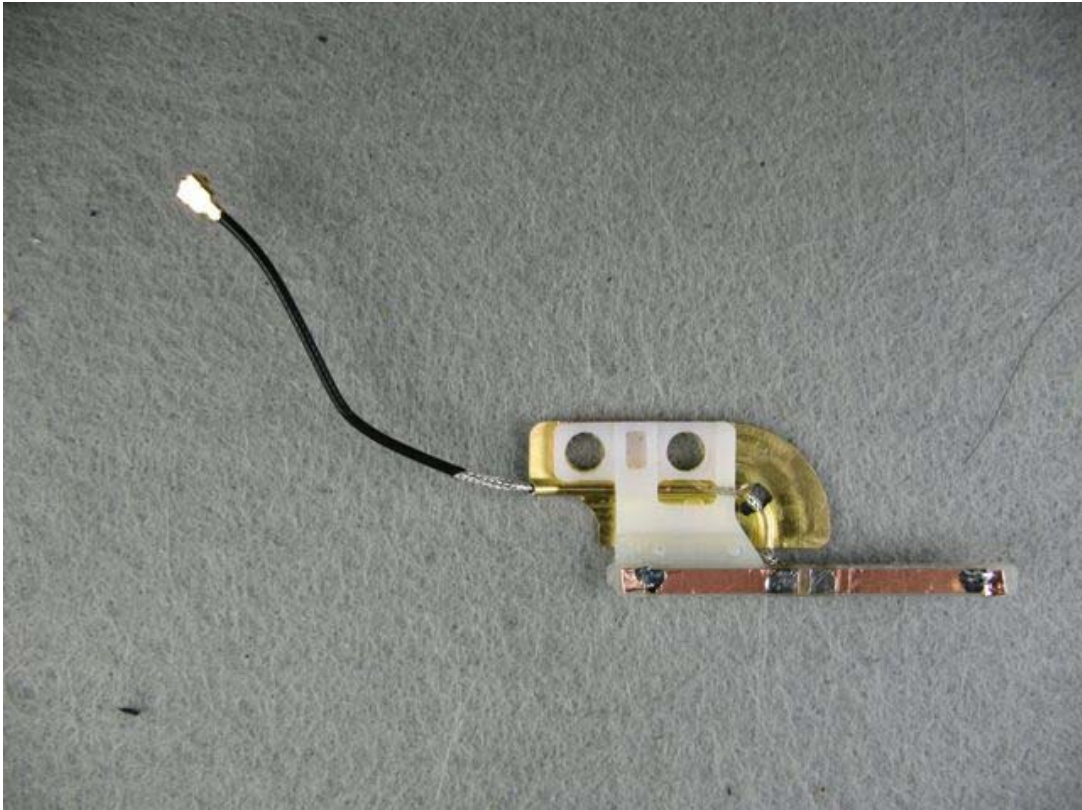
Antenna photo: see attached page 2.

Antenna drawing: see attached page 3-5.

Max. Antenna gain: -7.46dBi

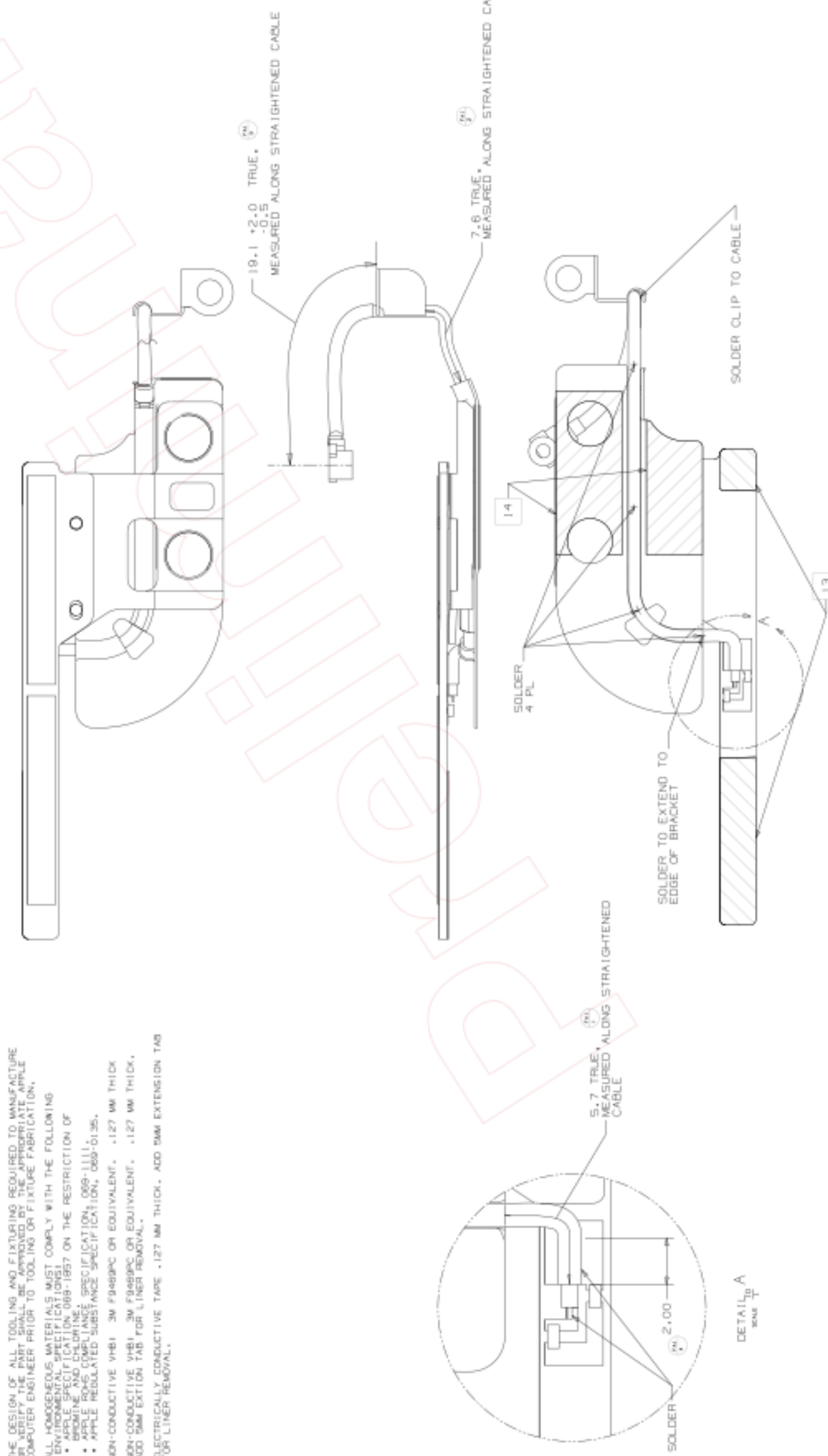
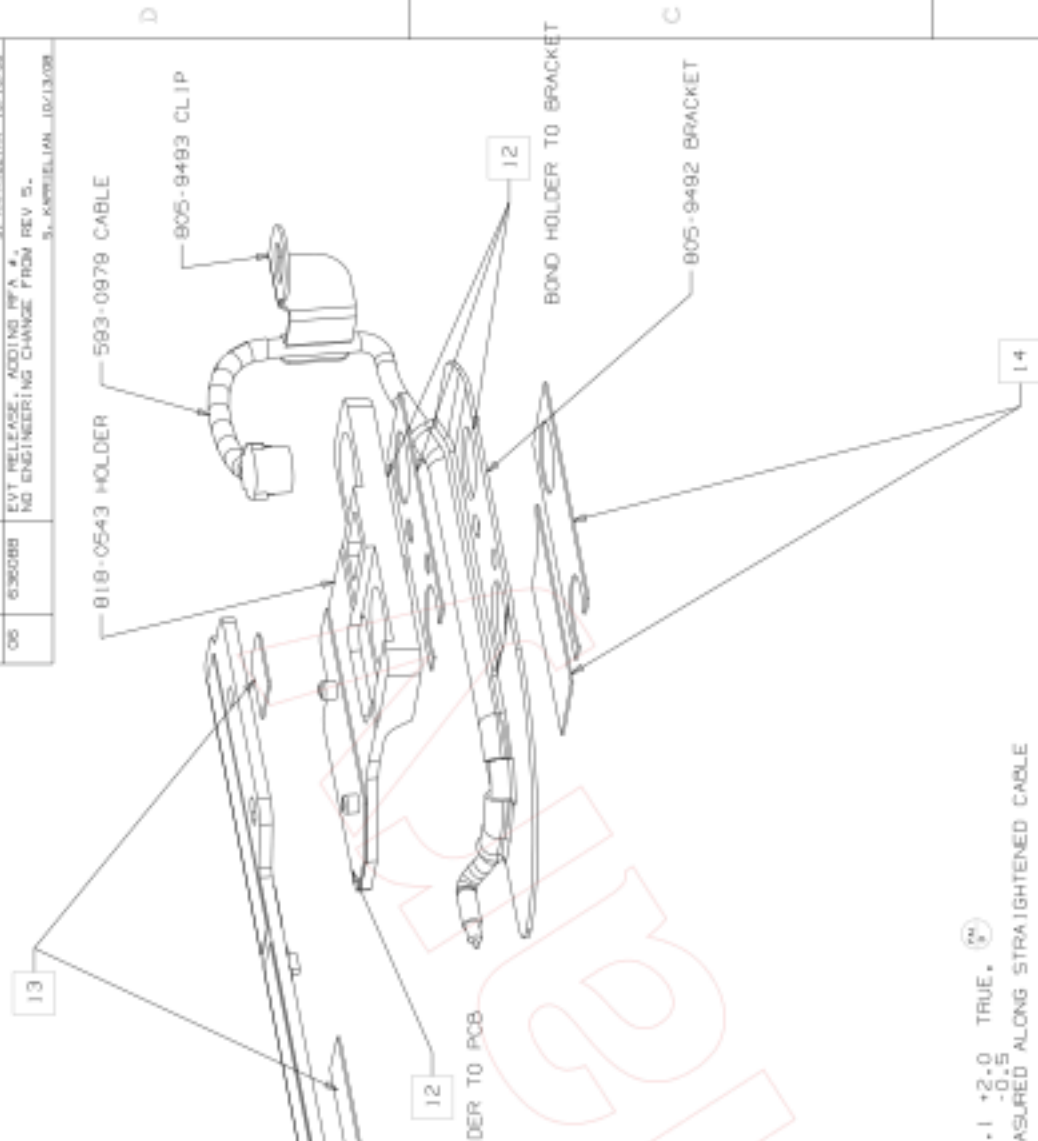
Antenna radiation plot: see measurement report.

Antenna photo



- NOTE: THREE DIMENSIONAL (3D) GEOMETRY PROVIDED BY APPLE SHALL BE USED FOR CREATION OF THIS PART OR ASSEMBLY. DRAWING SHALL BE USED TO IDENTIFY CRITICAL TOLERANCES AND REFERENCE FEATURES. DIMENSIONS ON DRAWING SHALL BE USED AS REFERENCE ONLY UNLESS OTHERWISE SPECIFIED ON DRAWING.
- ALL DIMENSIONS AND TOLERANCES APPLY PER ASME Y14.5-2009. IT IS EXPECTED THAT THE SUPPLIER UNDERSTAND AND COMPLY WITH ALL TOLERANCES AS DESCRIBED IN THIS STANDARD AND APPLIED TO THIS DRAWING.
 - ALL DIMENSIONS THAT LOCATE GEOMETRICALLY TOLEANCE FEATURES, PROFILE AND POSITION CHARACTERISTICS ARE CONSIDERED BASTIS AS DEFINED IN THE ASME Y14.5, 1994 STANDARD.
 - ON PARTS SUBJECT TO FREE STATE VARIATION, ALL GEOMETRIC TOLERANCES SHALL BE PERMANENTLY MARKED ON THE PART WITH THE FOLLOWING CONDITIONS AS DEFINED BY THE FEATURE CONTROL FRAME (DATUMS, C, G, SEE APPLE SUPPLIER QUALITY ENGINEER (SQE) FOR APPROVAL/CLARIFICATION ON INDIVIDUAL PARTS.
 - WHEN DATUMS ARE SPECIFIED ON A DRAWING, DIMENSIONS ARE RELATED TO DATUM A (PRIMARY DATUM), DATUM B (SECONDARY), AND DATUM C (TERTIARY), PERFECT ORIENTATION AND/OR PERFECT LOCATION AT MMC REQUIRED FOR THE INTERRELATIONSHIP OF ALL DATUM FEATURES OF SIZE UNLESS OTHERWISE SPECIFIED ON DRAWING.
 - UNLESS OTHERWISE SPECIFIED, ALL SURFACES TO BE WITHIN A SURFACE PROFILE TOLERANCE OF $\boxed{0.11A|B|C}$.
 - TOLEANCES DESIGNATED WITH THE SYMBOL SHALL BE PRODUCED WITH STATISTICAL TOLERANCE PROCESS CONTROLS. IN ORDER TO USE THE TOLERANCE ON A FEATURE, THE STATISTICAL PROCESS (CP, CPK, ETC) OF THE PART MUST BE VALIDATED AND APPROVED BY APPLE SQE.
 - ALL TOOLING, FIXTURING AND OTHER UNIQUE ITEMS THAT ARE USED TO CREATE THIS PART ARE THE PROPERTY OF APPLE COMPUTER AND SHALL BE PERMANENTLY MARKED WITH APPLE'S NAME AND APPROPRIATE APPLE PART NUMBER.
 - THE DESIGN OF ALL TOOLING AND FIXTURING REQUIRED TO MANUFACTURE OR VERIFY THIS PART SHALL BE APPROVED BY THE APPROPRIATE APPLE COMPUTER ENGINEER PRIOR TO TOOLING OR FIXTURE FABRICATION.
 - ALL HOMOGENEOUS MATERIALS MUST COMPLY WITH THE FOLLOWING ENVIRONMENTAL SPECIFICATION (MIL-STD-883C):
 - APPLE SPECIFICATION 069-1857 ON THE RESTRICTION OF BROMINE AND CHLORINE.
 - APPLE ROHS COMPLIANCE SPECIFICATION, 069-1111.
 - APPLE REGULATED SUBSTANCE SPECIFICATION, 069-0136.

- [12] NON-CONDUCTIVE VHB 3M F9489PC OR EQUIVALENT. .127 MM THICK.
 [13] NON-CONDUCTIVE VHB 3M F9489PC OR EQUIVALENT. .127 MM THICK. ADD 5MM EXTENSION TAB FOR LINER REMOVAL.
 [14] ELECTRICALLY CONDUCTIVE TAPE .127 MM THICK. ADD 5MM EXTENSION TAB FOR LINER REMOVAL.



DETAIL A
 2X

REV	DATE	DESCRIPTION OF REVISION
05	XXXX	
06	03/08	EVT RELEASE, ADDING PFA #, NO ENGINEERING CHANGE FROM REV 5.
		S. KATSELIAN_10/10/08
		S. KATSELIAN_10/13/08

METRIC		DATE	10/10/08
DESIGNER	DATE	10/10/08	
CHECKER	DATE	10/10/08	
STANDARD USE IN VALUATION TOLERANCES X.X ±0.4 X.XX ±0.20 X.XXX ±0.100 ANGLES ±0.5° DO NOT SCALE DIMENSIONS HARD UNITS PRECEDENCE			
NAME OF MANUFACTURING PROPERTY MANUFACTURING PROPERTY ALL DIMENSIONS ARE UNLESS OTHERWISE SPECIFIED ALL DIMENSIONS ARE IN MILLIMETERS ALL DIMENSIONS ARE TO CENTER UNLESS OTHERWISE SPECIFIED ALL DIMENSIONS ARE TO CENTER UNLESS OTHERWISE SPECIFIED		FILE ASSY, BT ANTENNA,	
PART NUMBER 631-0906		REV NONE	
SCALE NONE		SHEET 1 OF 1	

